



US00D323702S

United States Patent [19]

Primucci et al.

[11] Patent Number: **Des. 323,702**

[45] Date of Patent: **** Feb. 4, 1992**

[54] BATH TUB

[75] Inventors: **Joseph Primucci; Vello Hubel; Alexander M. Gardiner**, all of Toronto, Canada

[73] Assignee: **Mirolin Industries Inc.**, Toronto, Canada

[**] Term: **14 Years**

[21] Appl. No.: **359,436**

[22] Filed: **May 31, 1989**

[30] **Foreign Application Priority Data**

Mar. 28, 1989 [CA]	Canada	2803896
[52] U.S. Cl.		D23/277
[58] Field of Search		D23/270-283, D23/303-307; 4/513, 538-544, 546, 555, 559, 571-579, 584, 589, 590

[56] **References Cited**

U.S. PATENT DOCUMENTS

D. 265,582 7/1982 Kohler, Jr. D23/281

D. 275,597	9/1984	Lax	D24/205
D. 278,741	5/1985	Kaiser	D23/277
4,868,934	9/1989	Altman	4/538 X

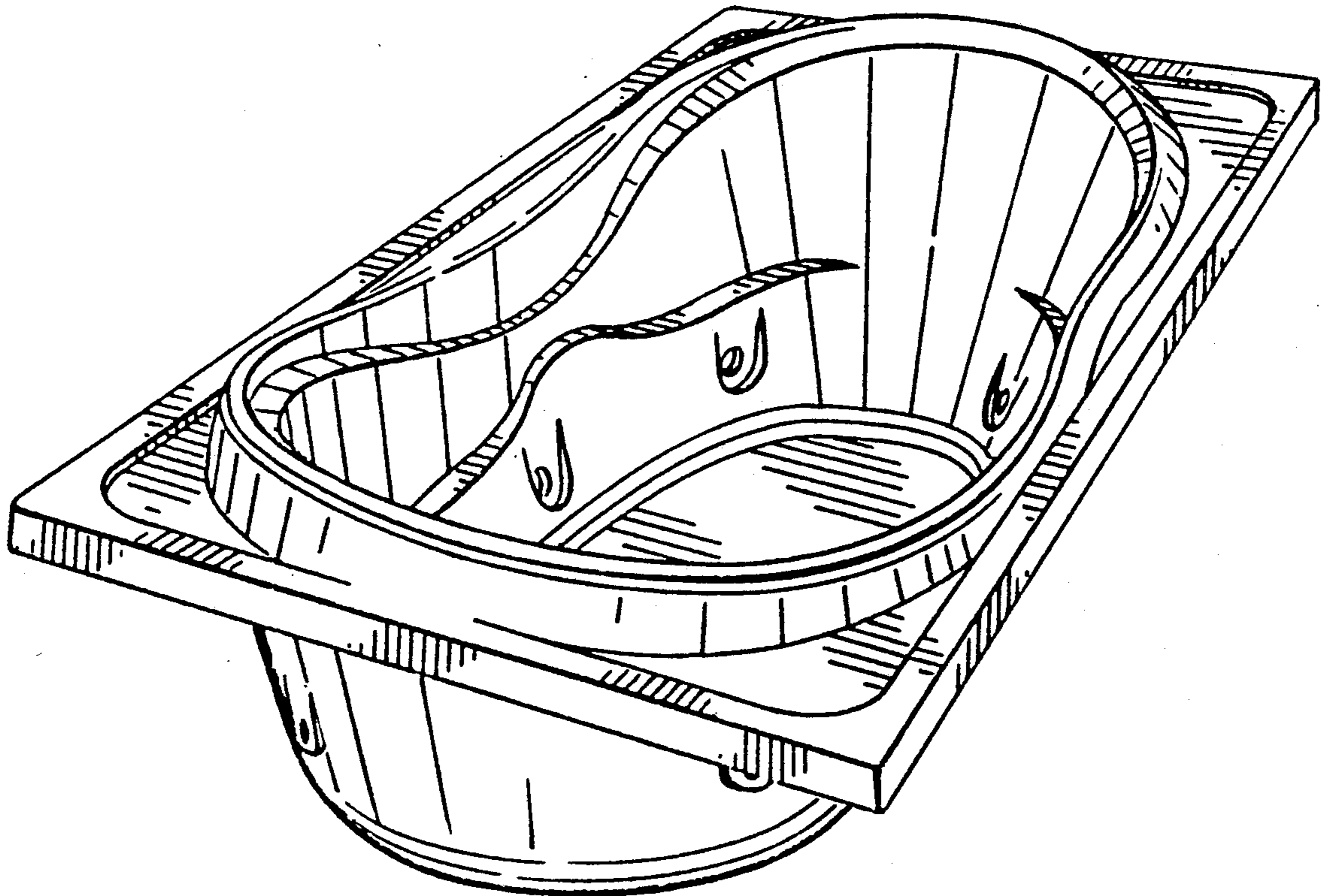
Primary Examiner—Susan J. Lucas

[57] **CLAIM**

The ornamental design for a bath tub, as shown.

DESCRIPTION

FIG. 1 is a perspective view of a bath tub showing our new design as seen from the top and one end;
 FIG. 2 is a perspective view thereof as seen from the top and opposite end;
 FIG. 3 is a top plan view thereof;
 FIG. 4 is an end elevational view thereof as seen from the right hand end of FIG. 3;
 FIG. 5 is a side elevational view thereof as seen from the bottom of FIG. 3;
 FIG. 6 is an end elevational view thereof as seen from the left hand end of FIG. 3;
 FIG. 7 is a side elevational view thereof as seen from the top of FIG. 3; and
 FIG. 8 is a bottom plan view thereof.



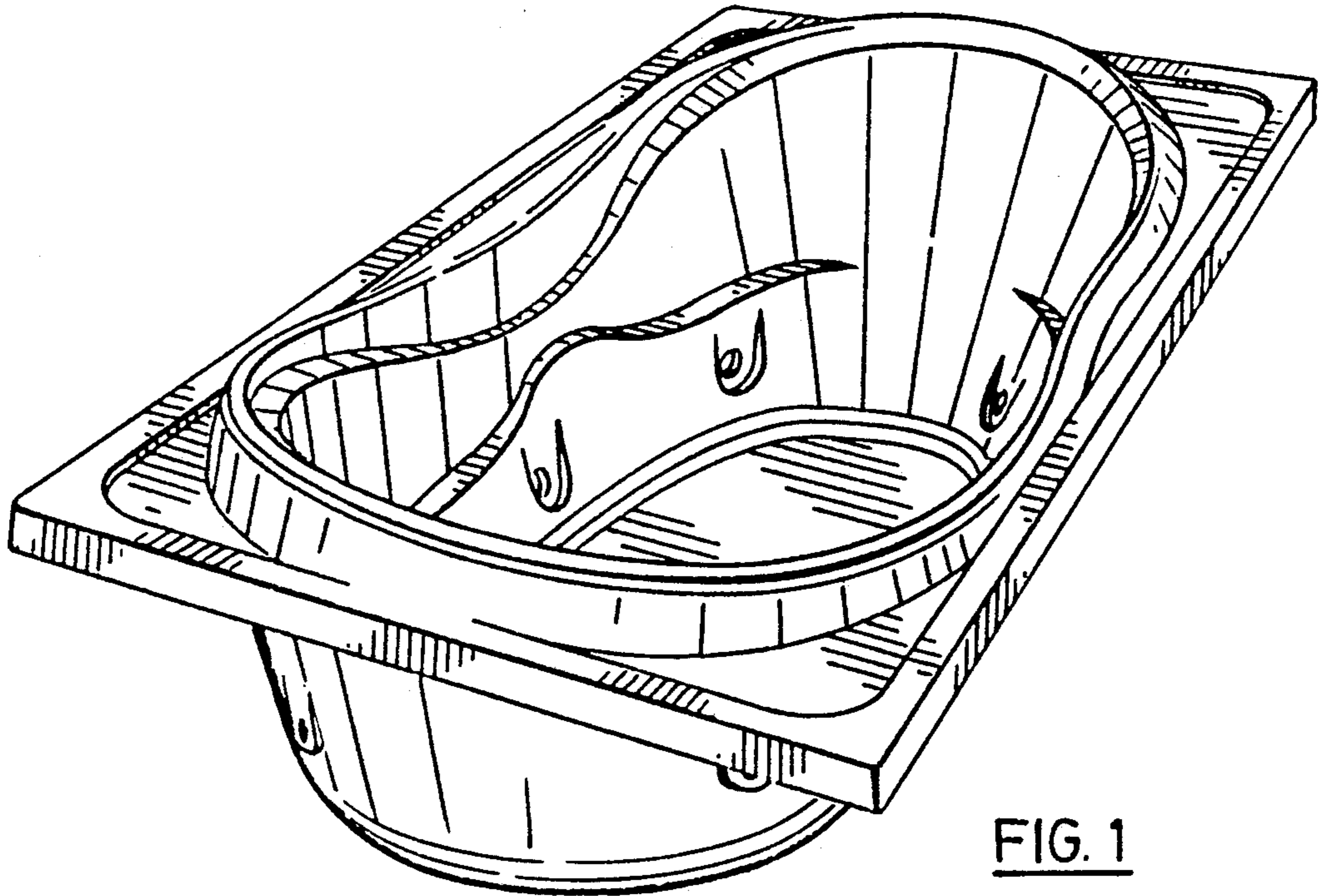


FIG. 1

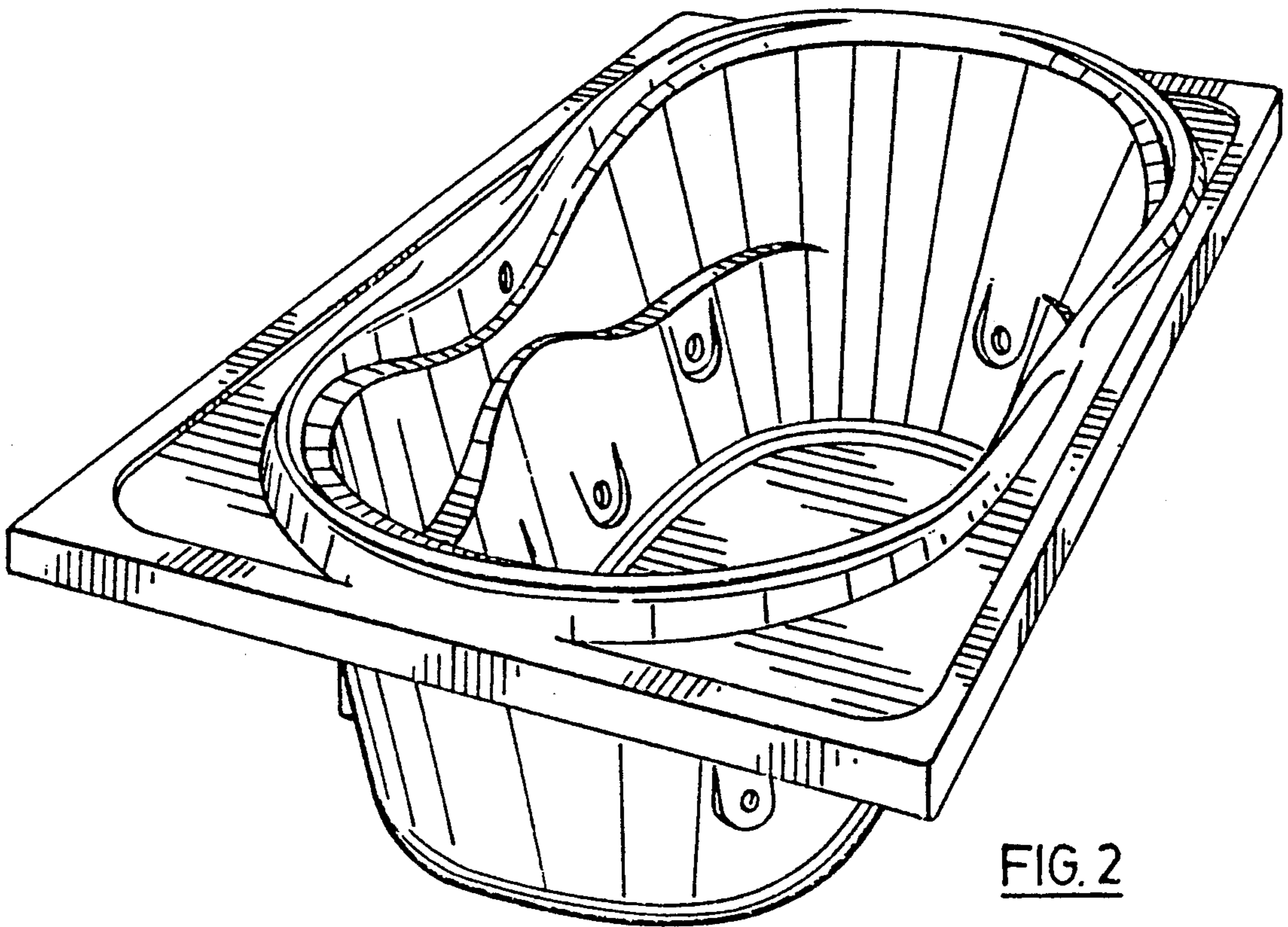


FIG. 2

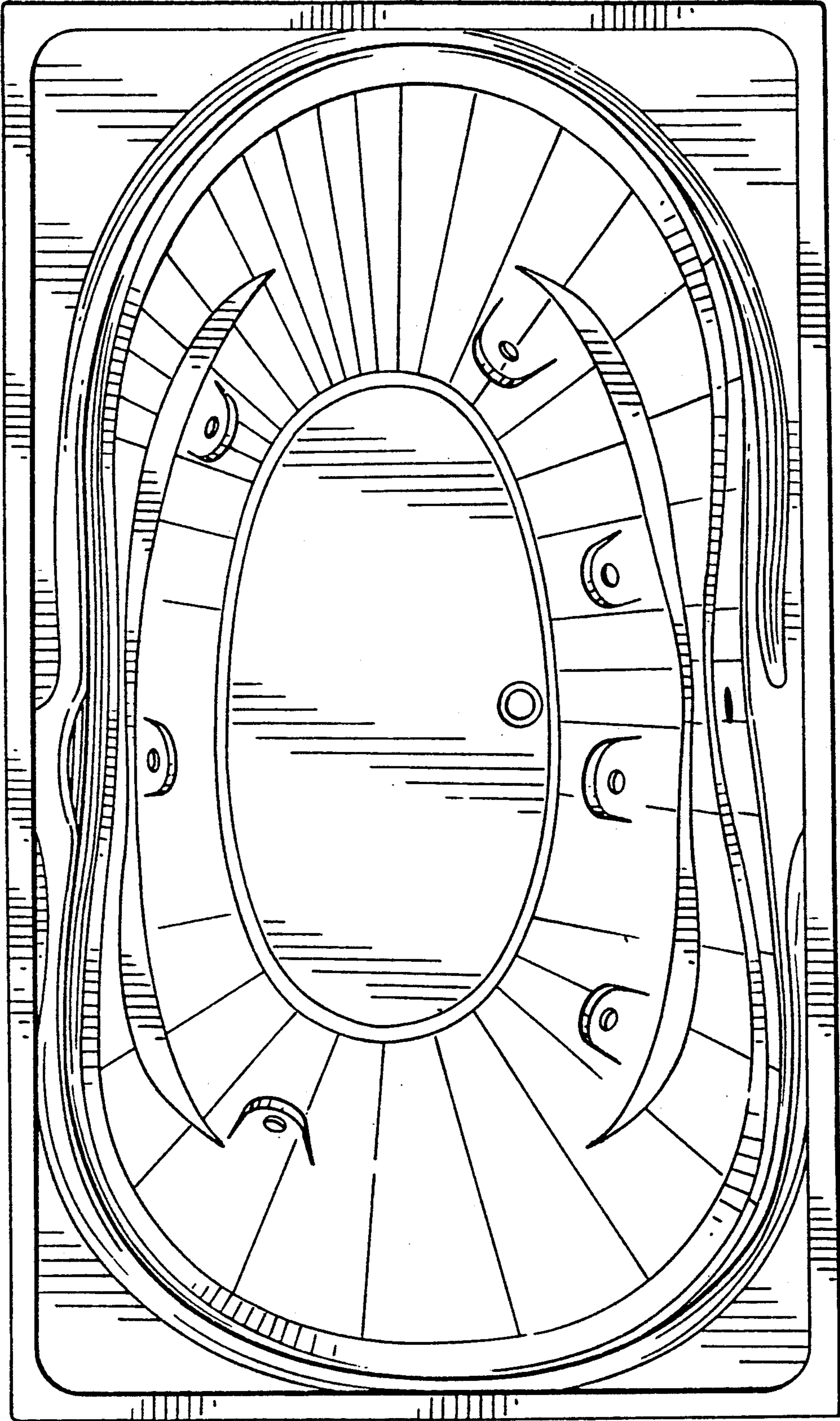
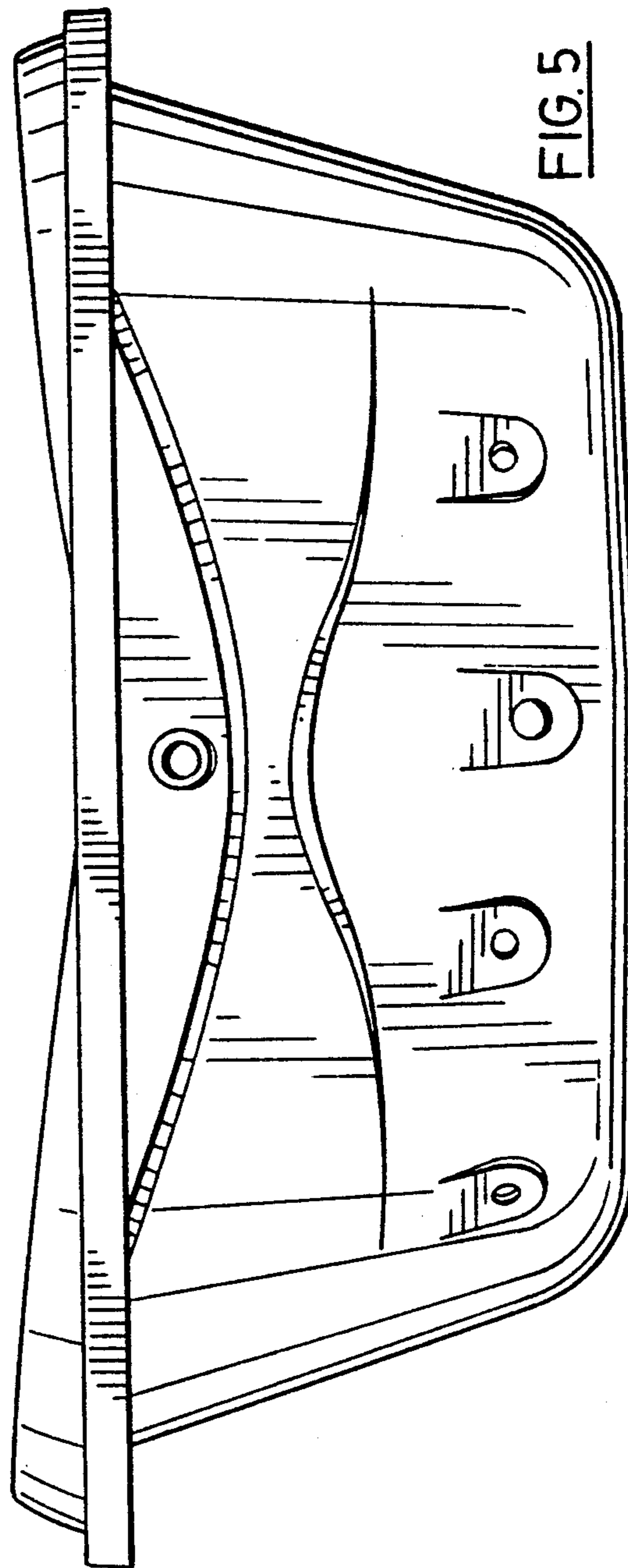
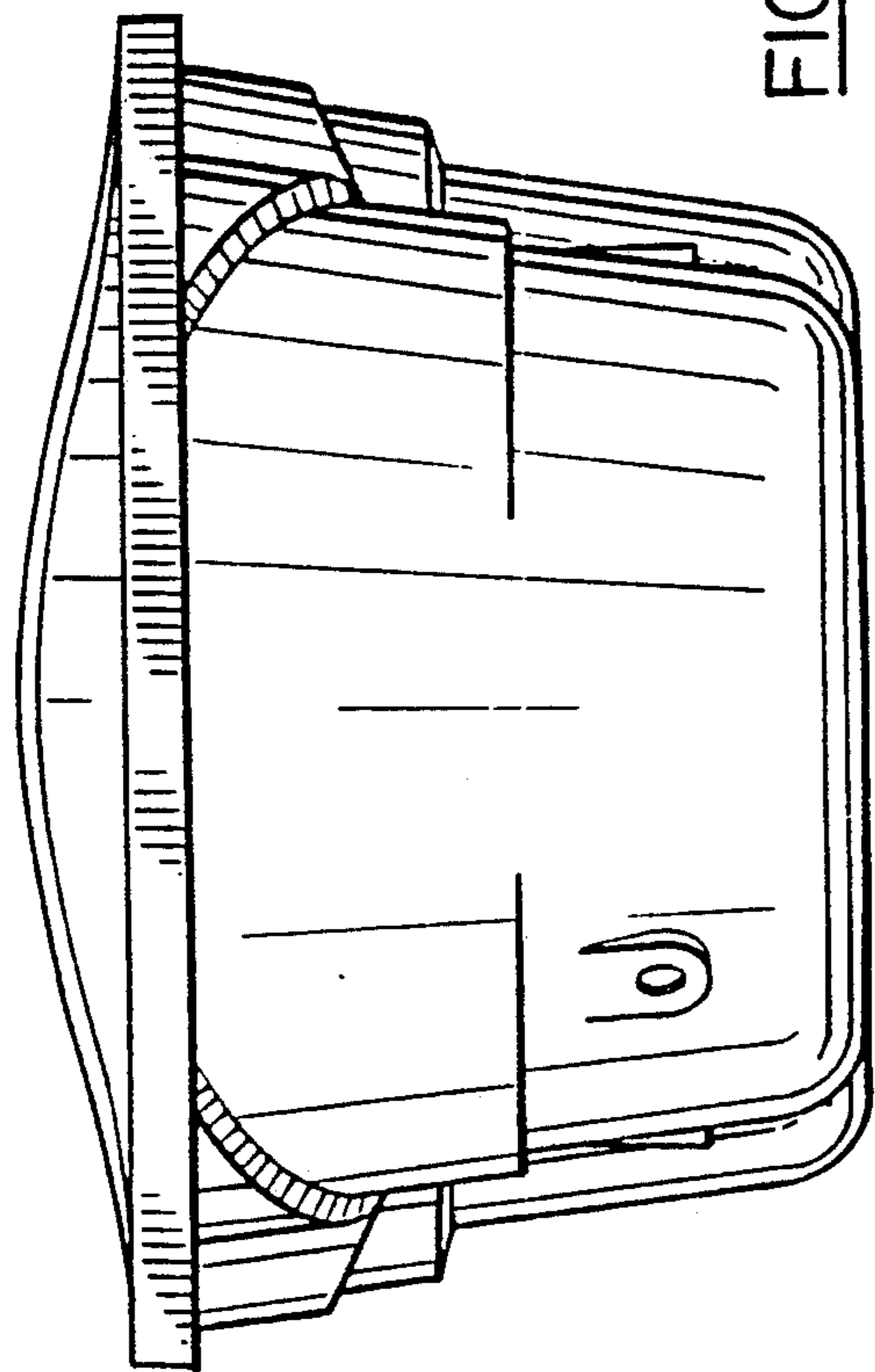


FIG. 3



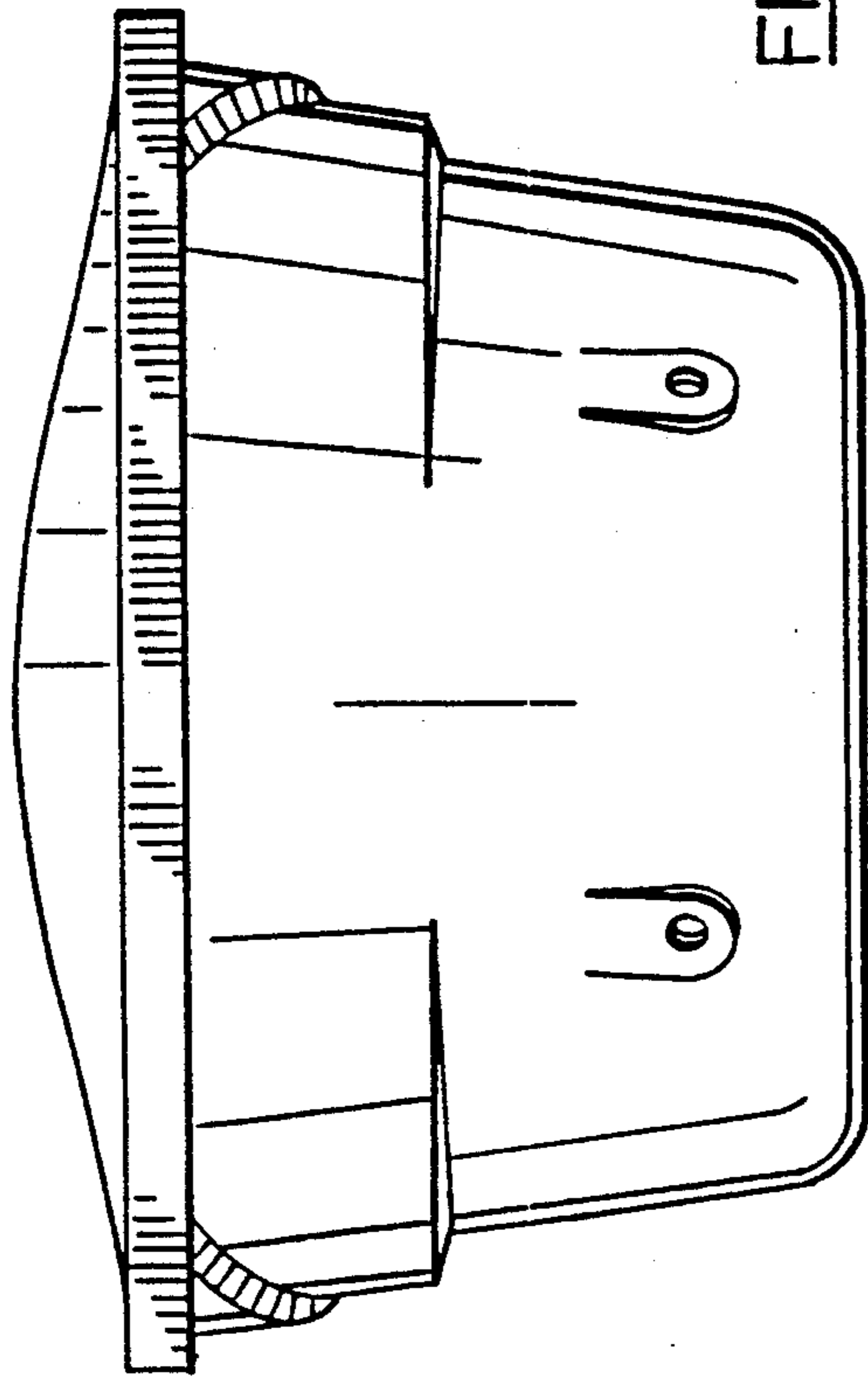


FIG. 6

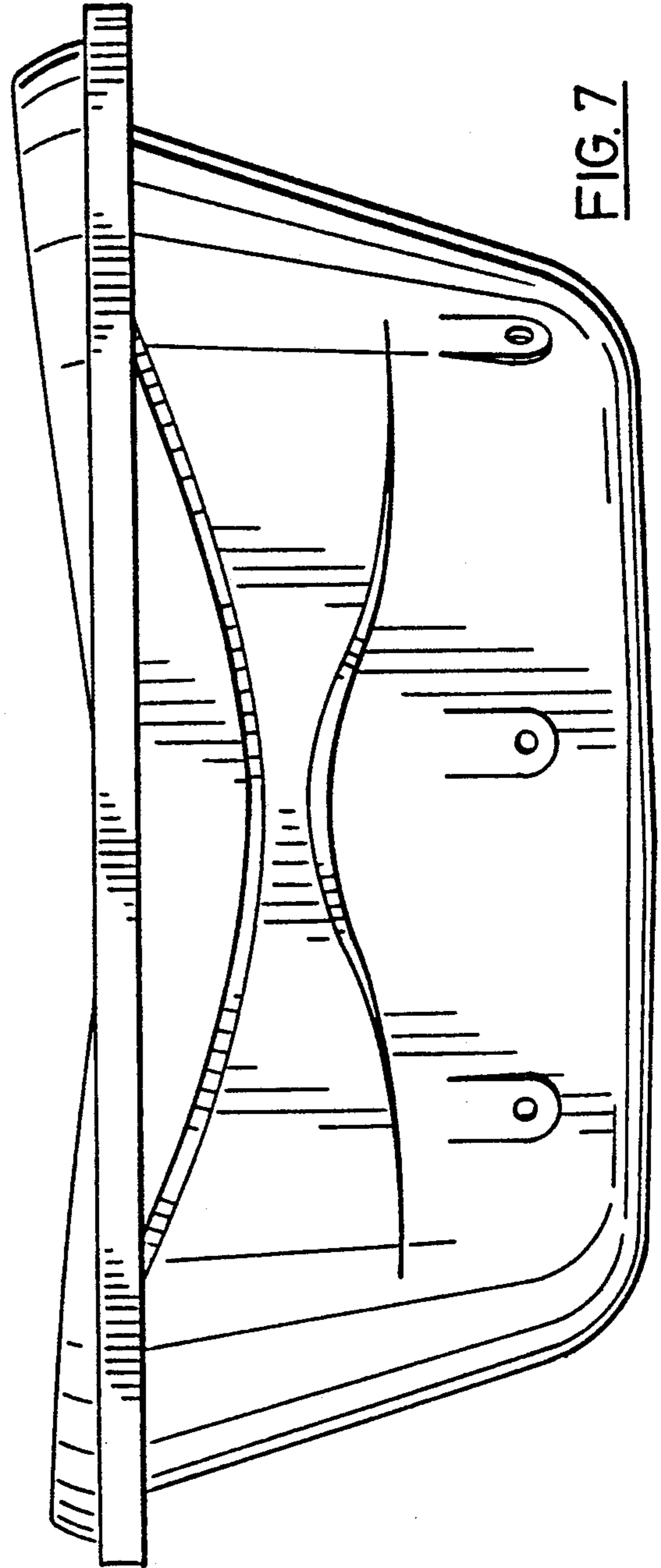


FIG. 7

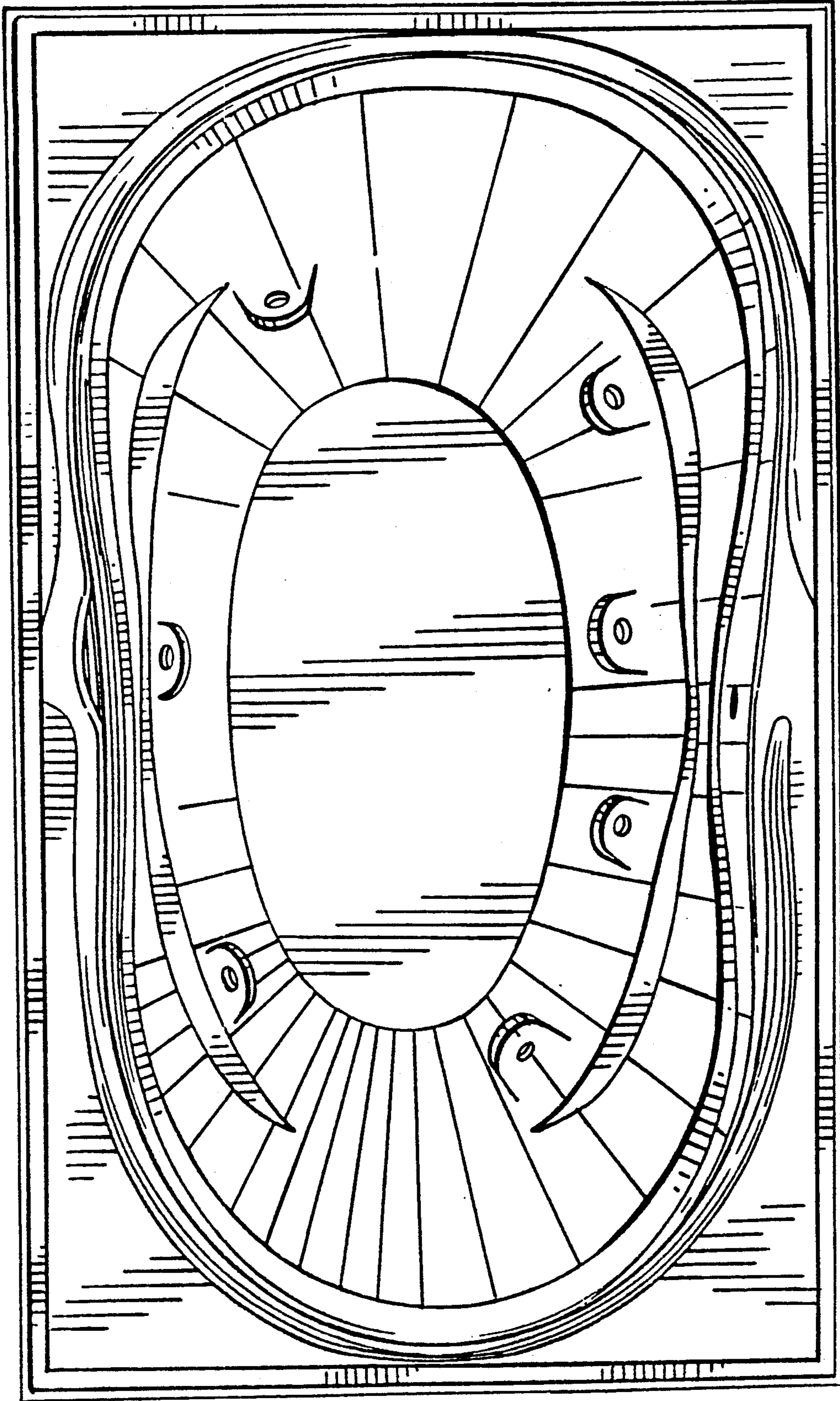


FIG. 8