



US00D323699S

United States Patent [19]

[11] Patent Number: **Des. 323,699**

Ambrose

[45] Date of Patent: **** Feb. 4, 1992**

[54] **MAGNETIC WATER SOFTENER**

[75] Inventor: **Randy Ambrose, Costa Mesa, Calif.**

[73] Assignee: **H.K. Research & Development, Inc., Philadelphia, Pa.**

[**] Term: **14 Years**

[21] Appl. No.: **313,537**

[22] Filed: **Feb. 21, 1989**

[52] U.S. Cl. **D23/207**

[58] Field of Search **D23/200, 207-210; 210/136, 205-206, 231, 241, 244-245, 257.1-257.2, 258, 260-261, 269, 275, 282, 288-290, 295, 321.6, 321.78, 416.3, 443-449; D25/113, 118; D13/183**

[56] **References Cited**

U.S. PATENT DOCUMENTS

25,334	3/1896	Schwechler	D25/113
D. 89,335	2/1933	Funk	D23/207
D. 246,386	11/1977	Hardin	D25/113
D. 262,306	12/1981	Carpenter	D23/207
D. 277,775	2/1985	Moran et al.	D23/207
D. 308,818	6/1990	Powrzanas	D13/183 X

D. 312,073	11/1990	Mitchell	D13/183
2,697,522	12/1954	Lawrence	210/447
4,464,260	8/1984	Duneau	210/289 X
4,925,555	5/1990	Spielberg	210/295 X

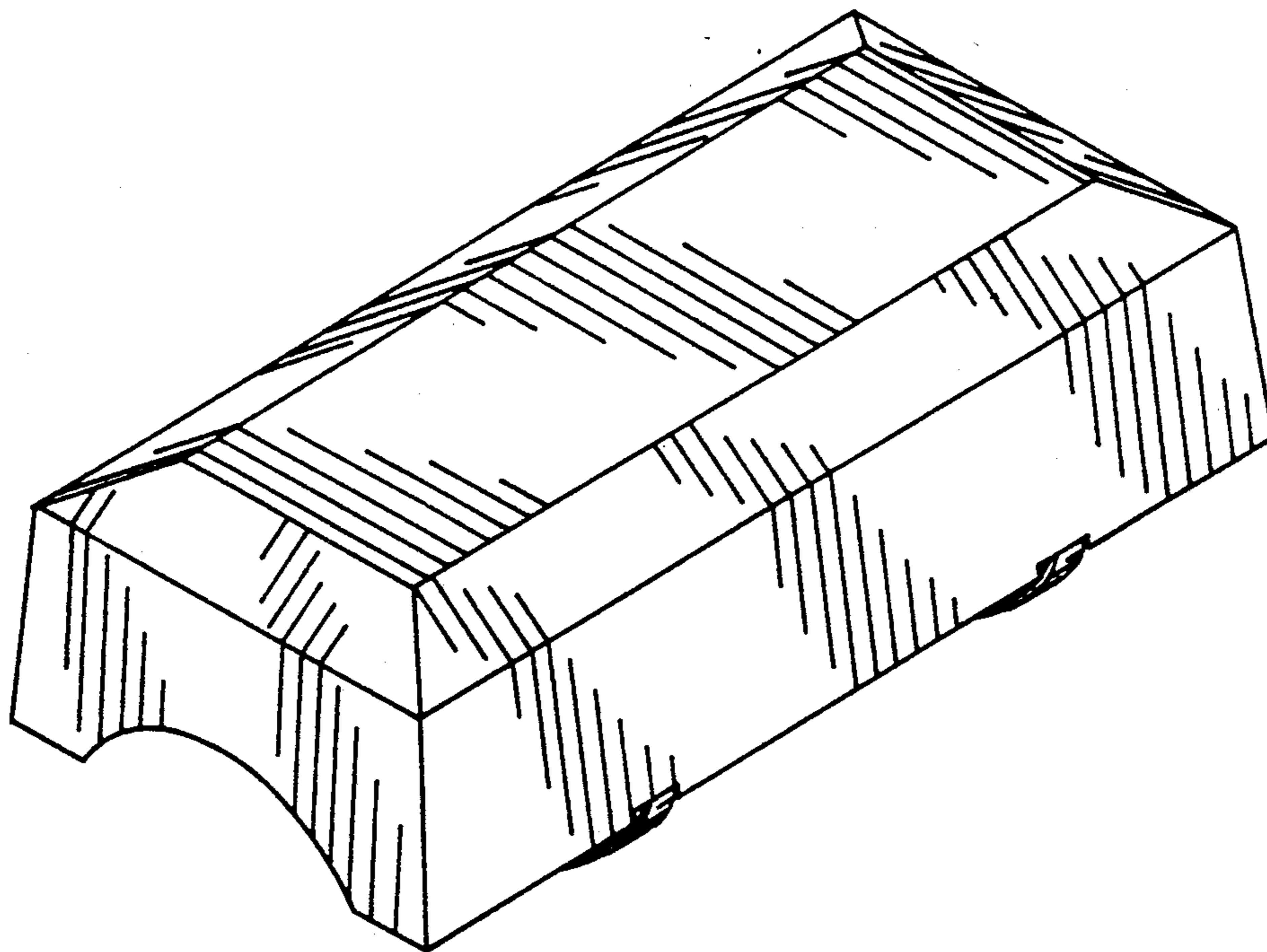
Primary Examiner—Wallace R. Burke
Assistant Examiner—M. H. Tung
Attorney, Agent, or Firm—Hawes & Fischer

[57] **CLAIM**

The ornamental design for a magnetic water softener, as shown and described.

DESCRIPTION

FIG. 1 is a perspective view of a magnetic water softener showing my new design;
FIG. 2 is a top plan view thereof;
FIG. 3 is a side elevational view thereof, the opposite side being identical;
FIG. 4 is a bottom plan view thereof;
FIG. 5 is an end elevational view thereof, the opposite end being a mirror image; and
FIG. 6 is a perspective view thereof, on a reduced scale, the broken line drawing of a water pipe is shown for illustrative purposes only and forms no part of the claimed design.



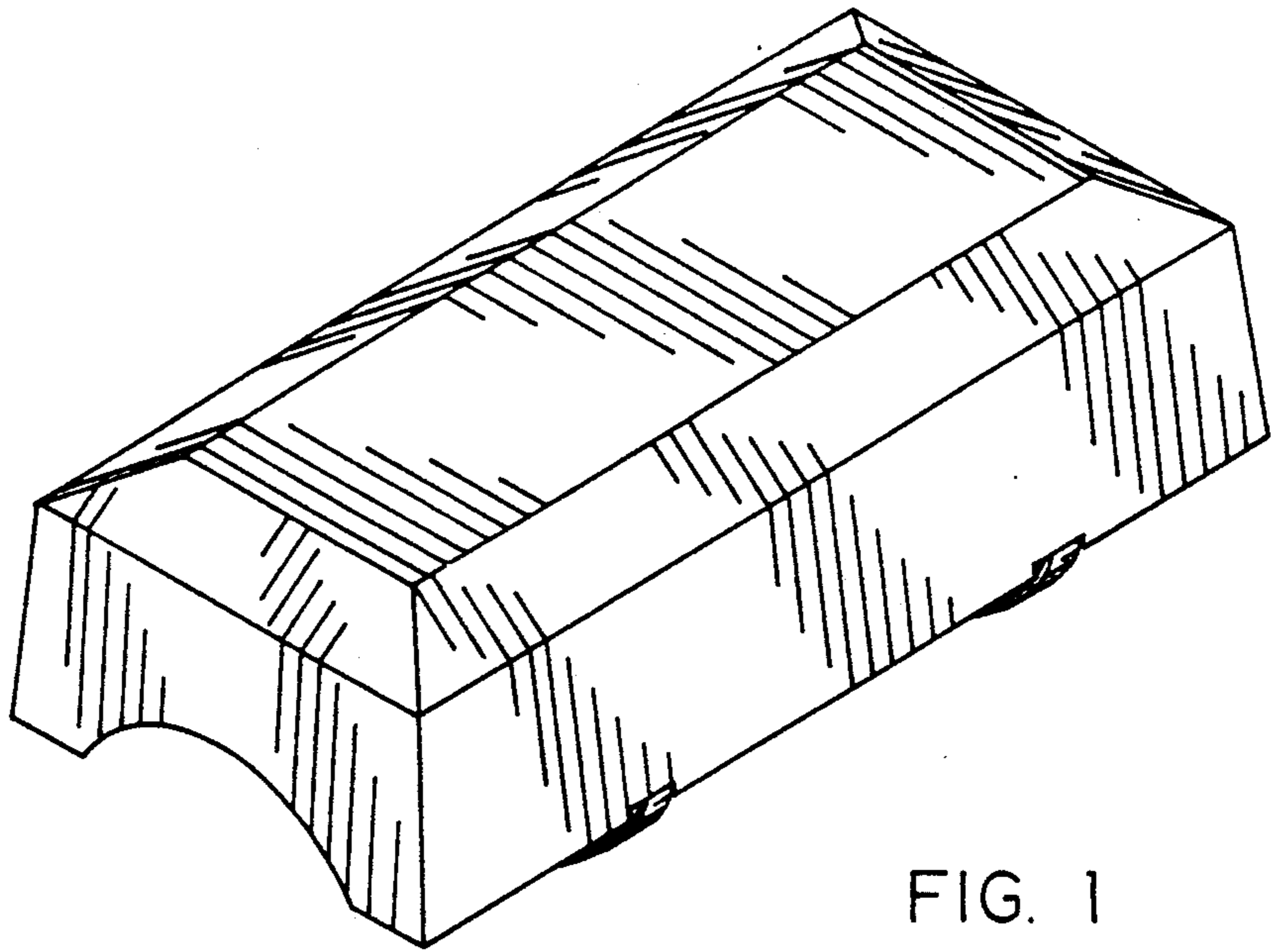


FIG. 1

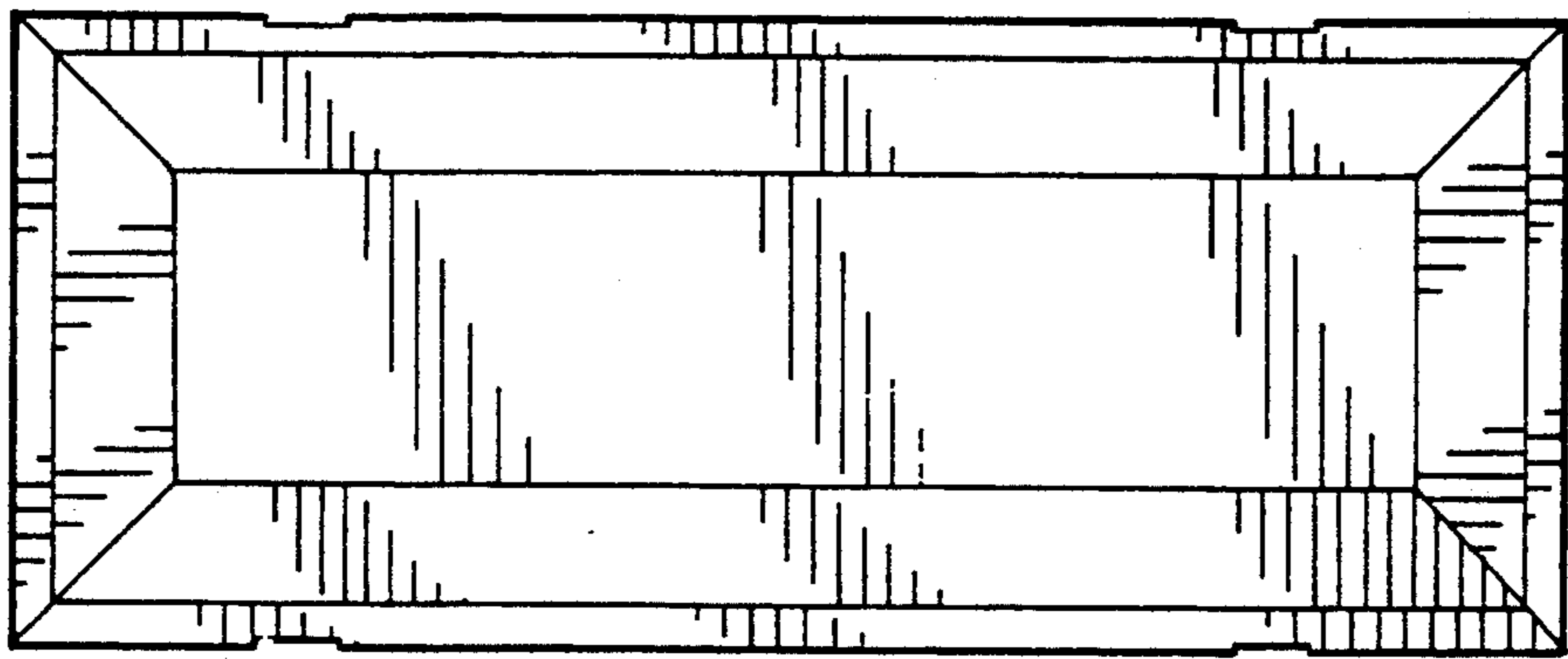


FIG. 2

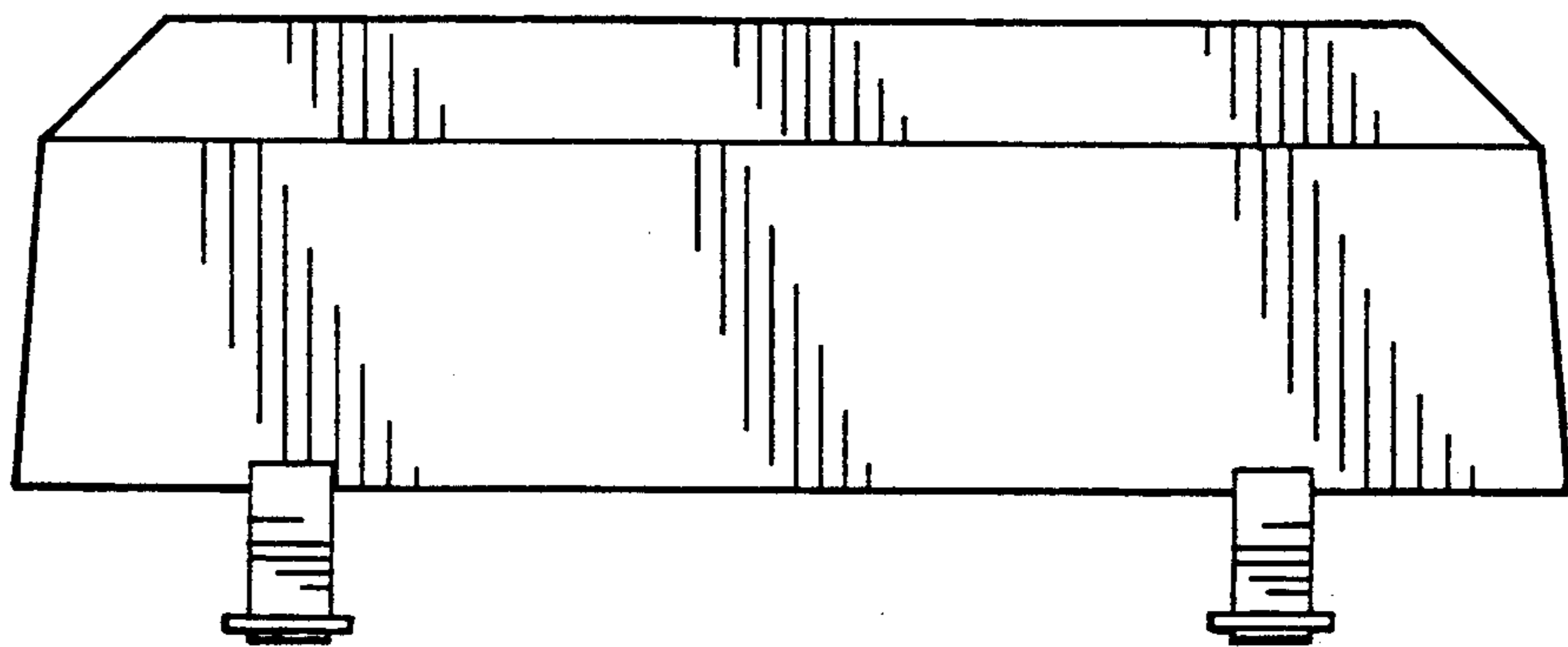


FIG. 3

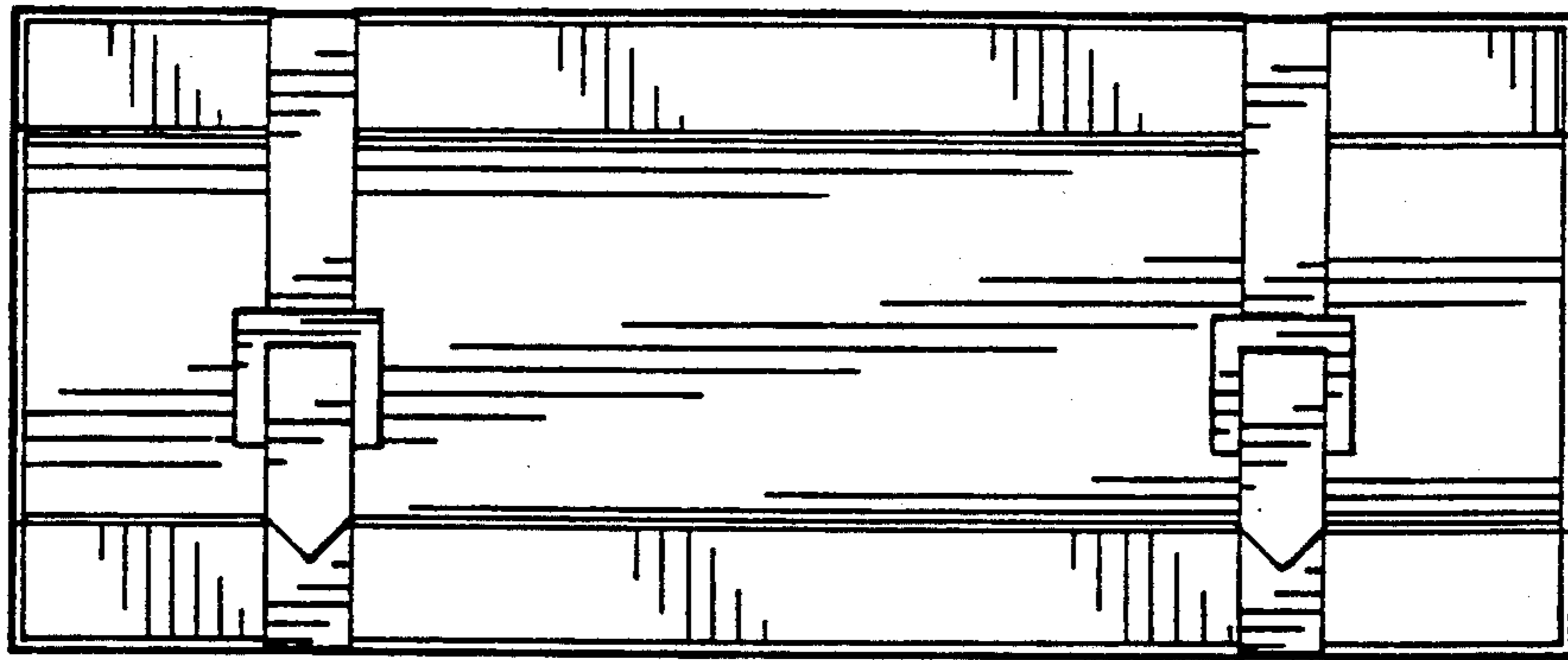


FIG. 4

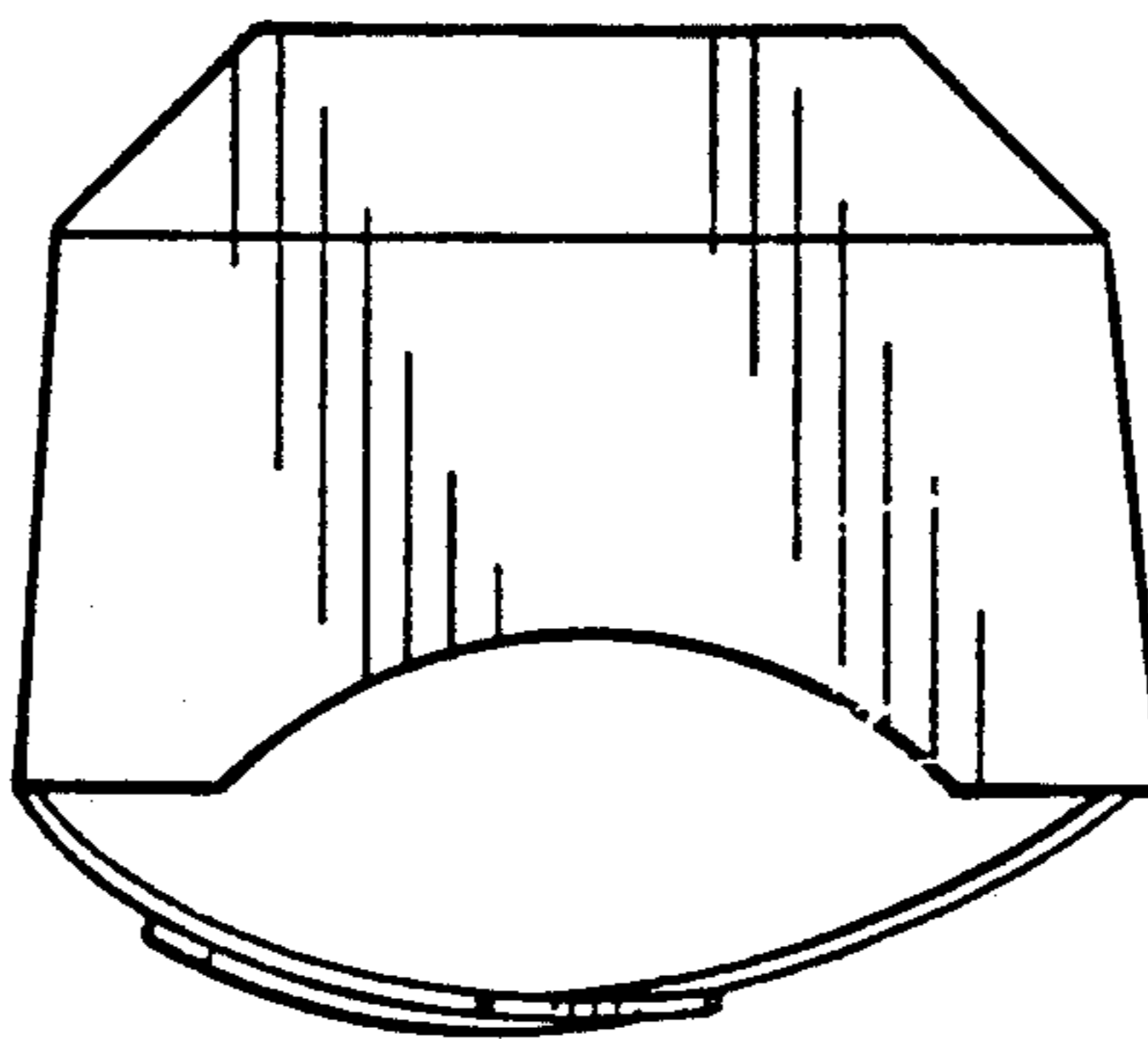


FIG. 5

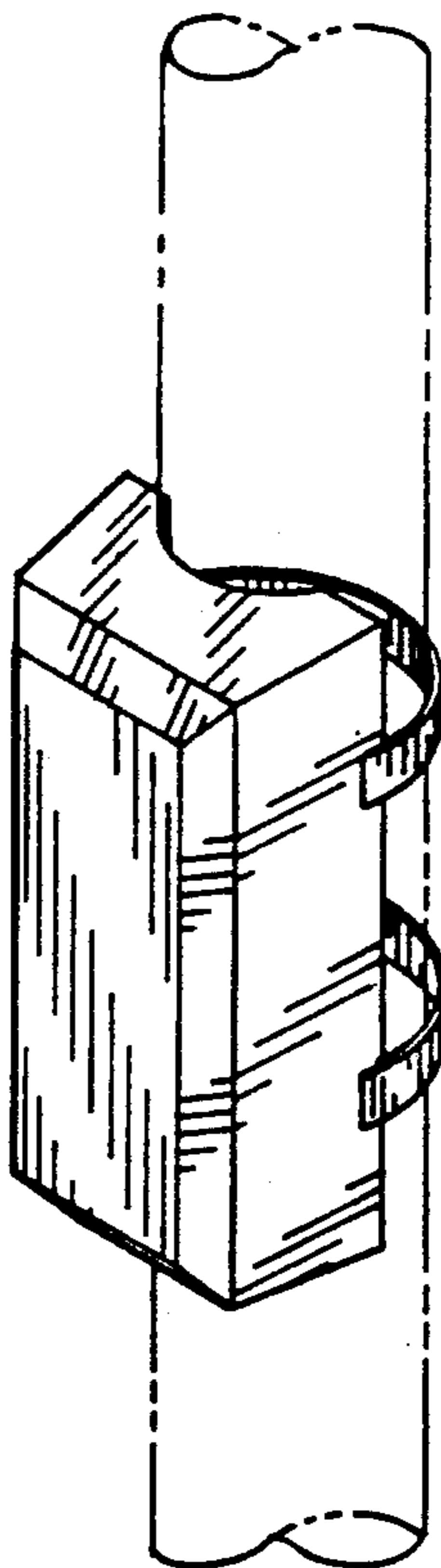


FIG. 6