



US00D323692S

United States Patent [19]

Lukowski

[11] Patent Number: **Des. 323,692**

[45] Date of Patent: **** Feb. 4, 1992**

[54] **SKATING AID**

[75] Inventor: **Raymond A. Lukowski**, Kapuskasing, Canada

[73] Assignee: **P.R.L. Associates**, Canada

[**] Term: **14 Years**

[21] Appl. No.: **318,367**

[22] Filed: **Mar. 3, 1989**

[30] **Foreign Application Priority Data**

Sep. 12, 1988 [CA] Canada 12-09-88-2
 [52] U.S. Cl. **D21/230**
 [58] Field of Search **D21/230, 191, 192;**
 272/70.3; 434/252, 253; D6/353, 368-370, 376;
 135/67

[56] **References Cited**

U.S. PATENT DOCUMENTS

- D. 179,900 10/1956 O'Neill D6/368
- D. 216,529 2/1970 Bock D21/191
- D. 216,721 3/1970 Sassenberg D21/191
- D. 250,442 12/1978 Pesiri D6/368
- D. 252,658 8/1979 Kressin D6/368

- 3,235,254 2/1966 Robson .
- 3,695,609 10/1972 Rothe .
- 3,840,034 10/1974 Smith 135/67
- 3,994,529 11/1976 Lippert D6/368 X
- 4,021,033 5/1977 Auclair et al. .
- 4,843,661 7/1989 Skihinski 135/67 X

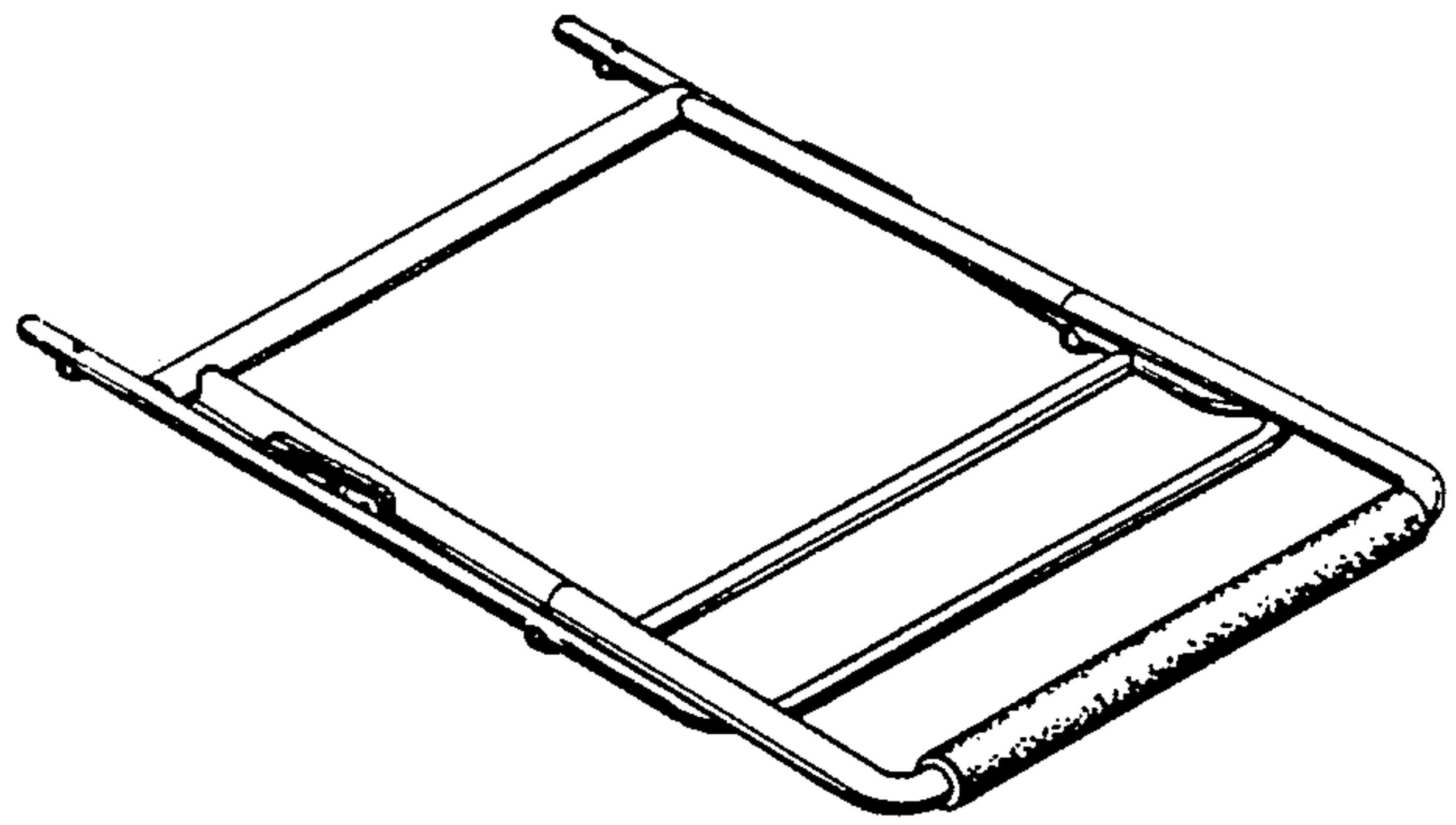
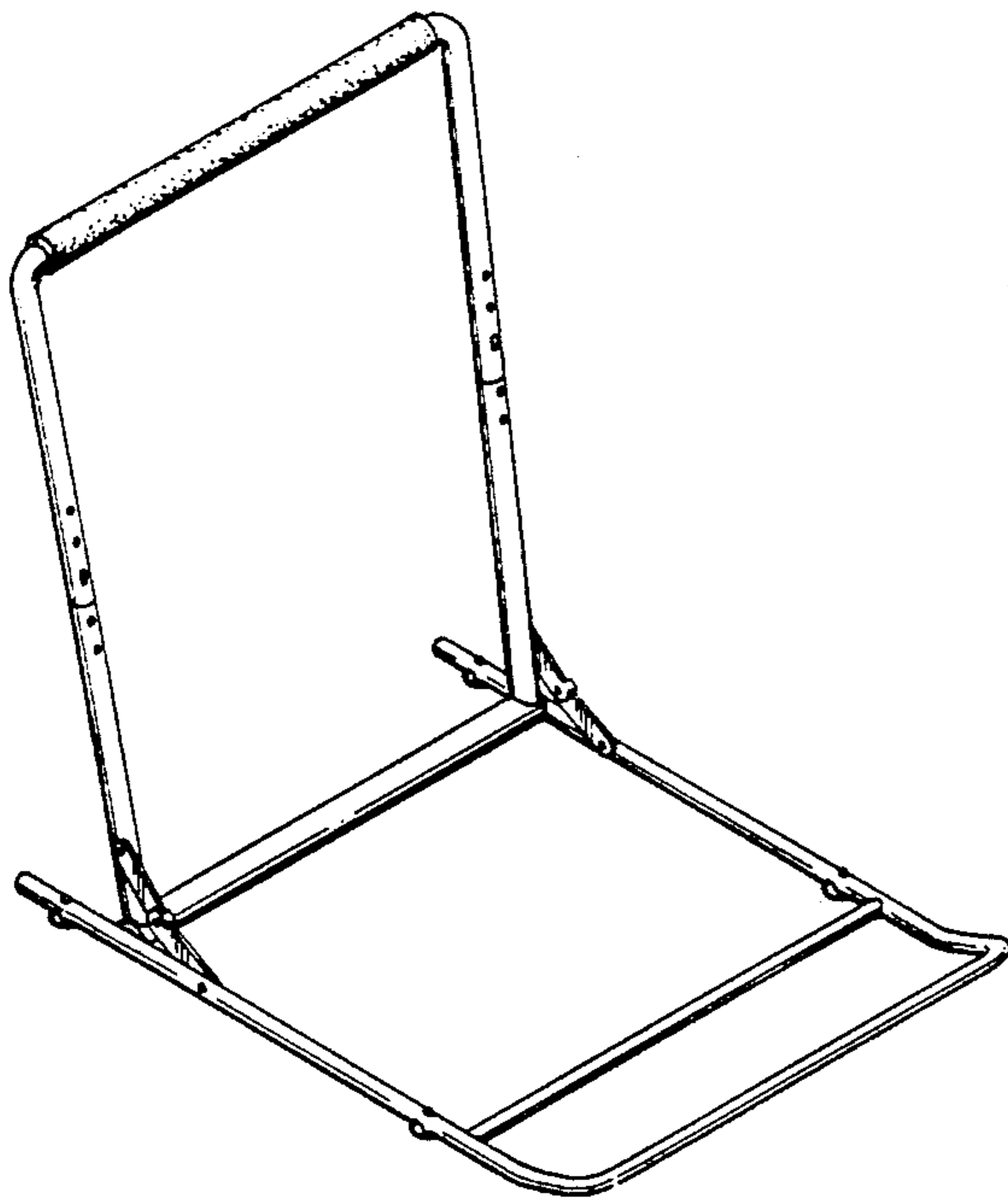
Primary Examiner—Bernard Ansher
Assistant Examiner—Dominic Simone
Attorney, Agent, or Firm—Stevens, Davis, Miller & Moshier

[57] **CLAIM**

The ornamental design for a skating aid, as shown and described.

DESCRIPTION

FIG. 1 is a perspective view of a skating aid showing my design;
 FIG. 2 is a top plan view thereof;
 FIG. 3 is a side view thereof, the opposite side view being a mirror image of same;
 FIG. 4 is a bottom plan view thereof;
 FIG. 5 is a front view thereof;
 FIG. 6 is a rear view thereof; and
 FIG. 7 is a perspective view thereof in a position for storage.



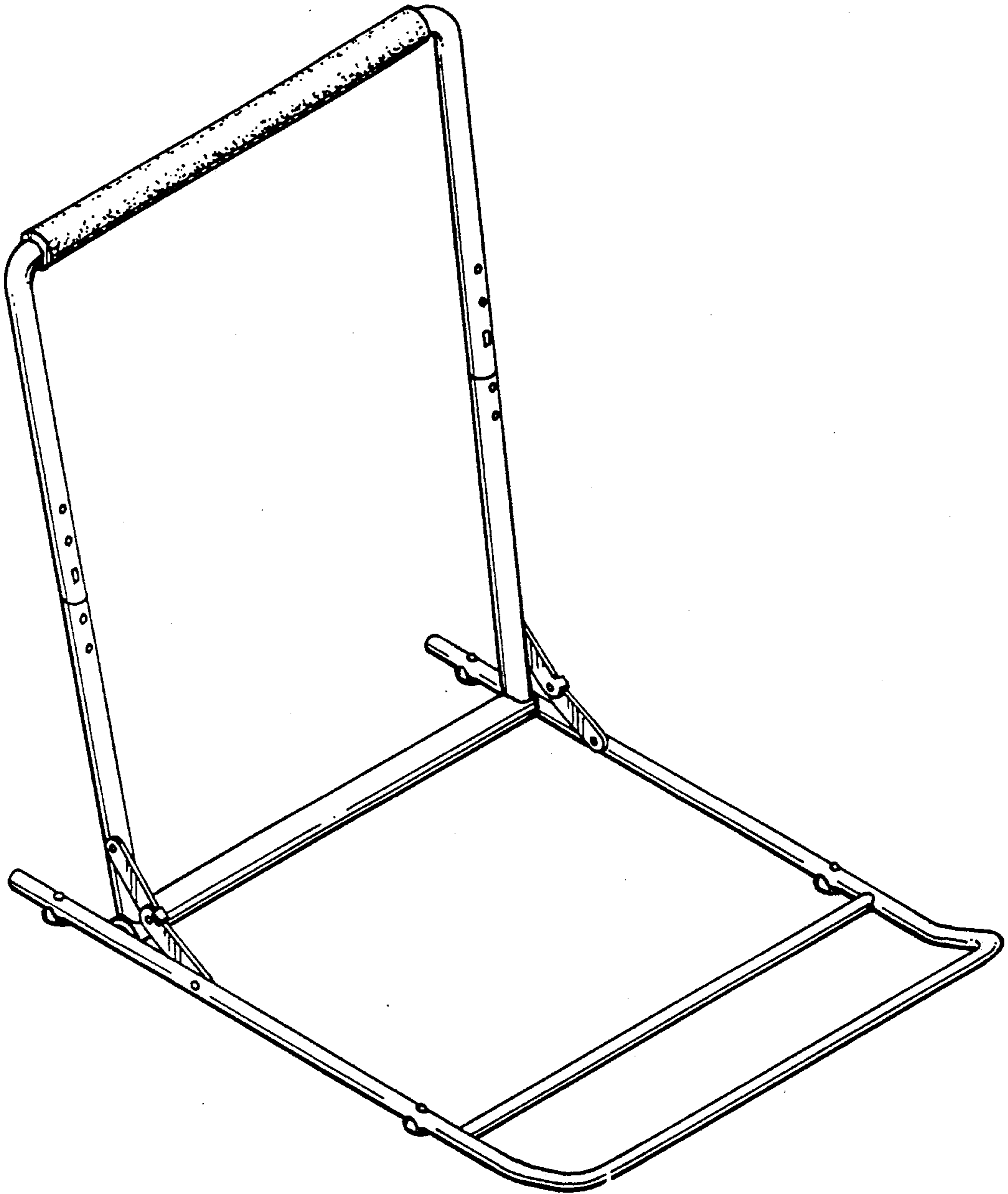


FIG. 1

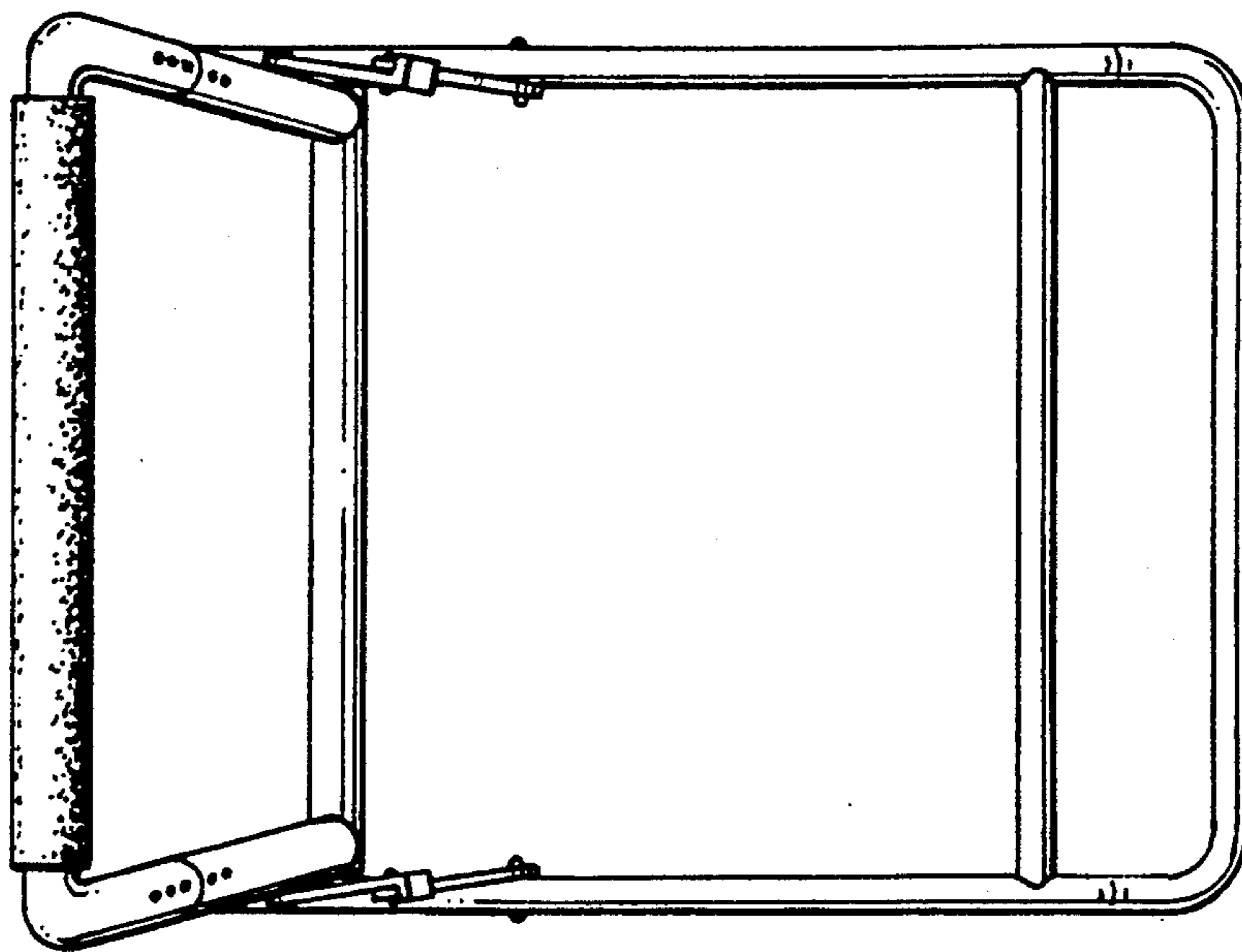


FIG. 2

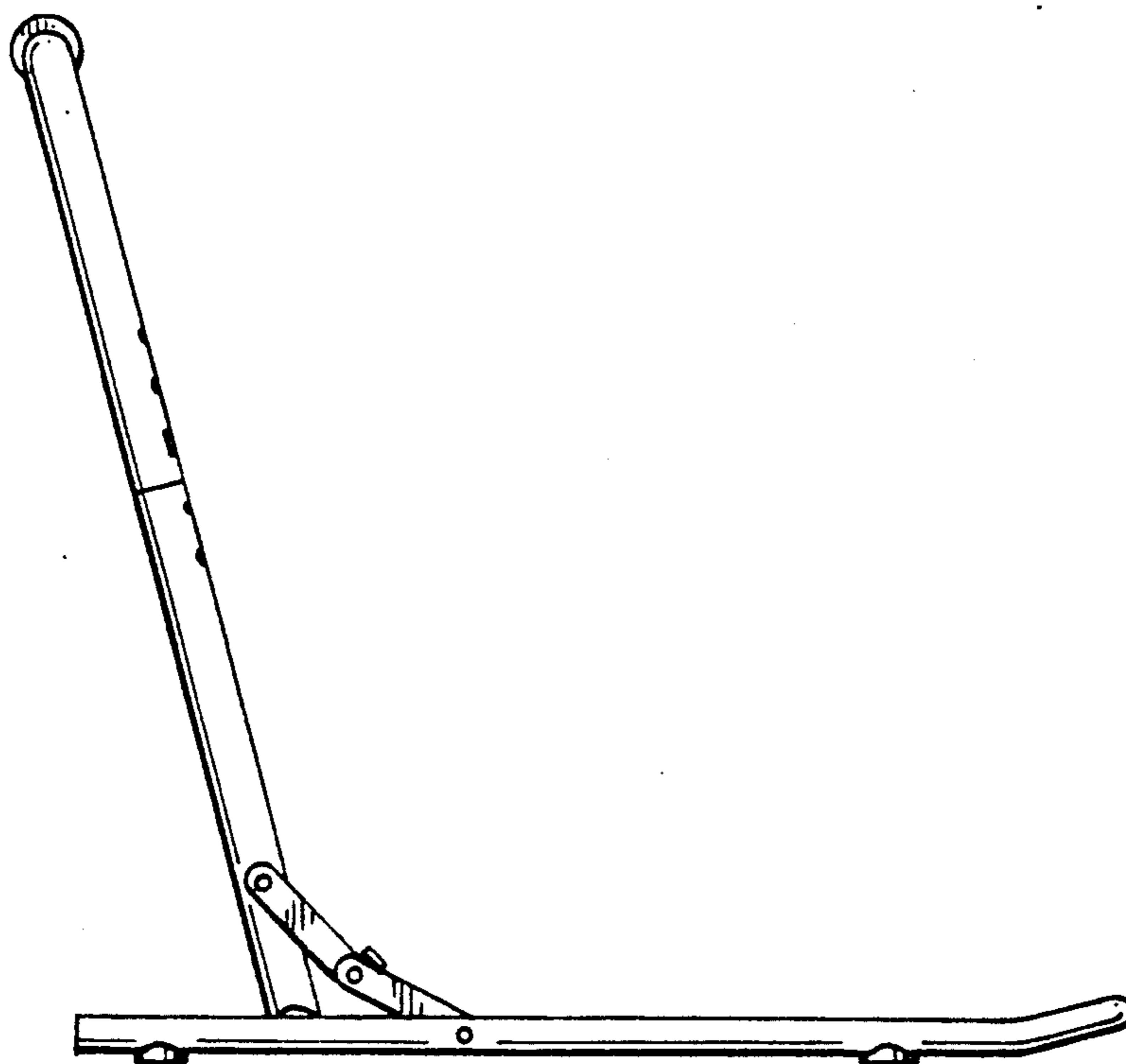


FIG. 3

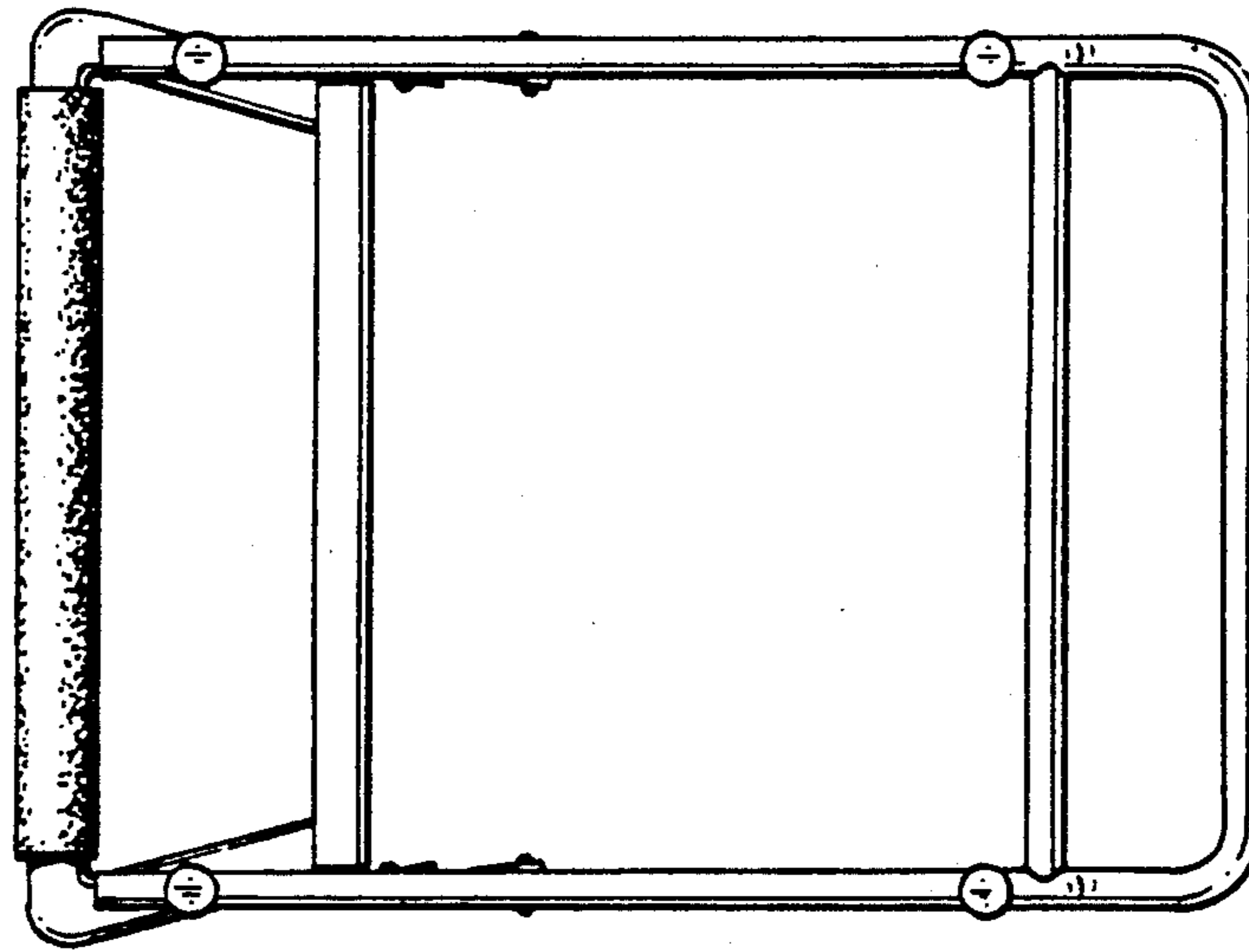


FIG. 4

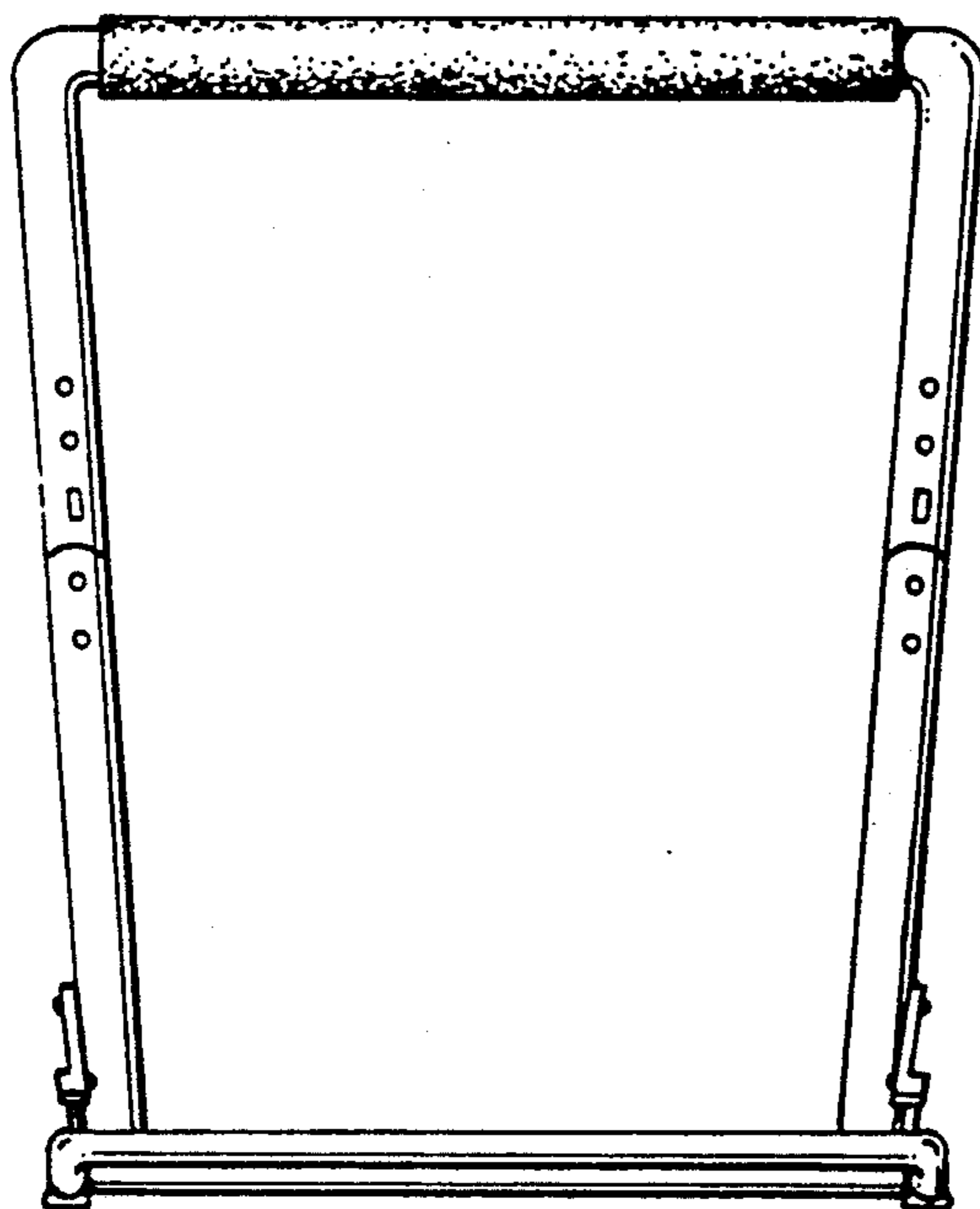


FIG. 5

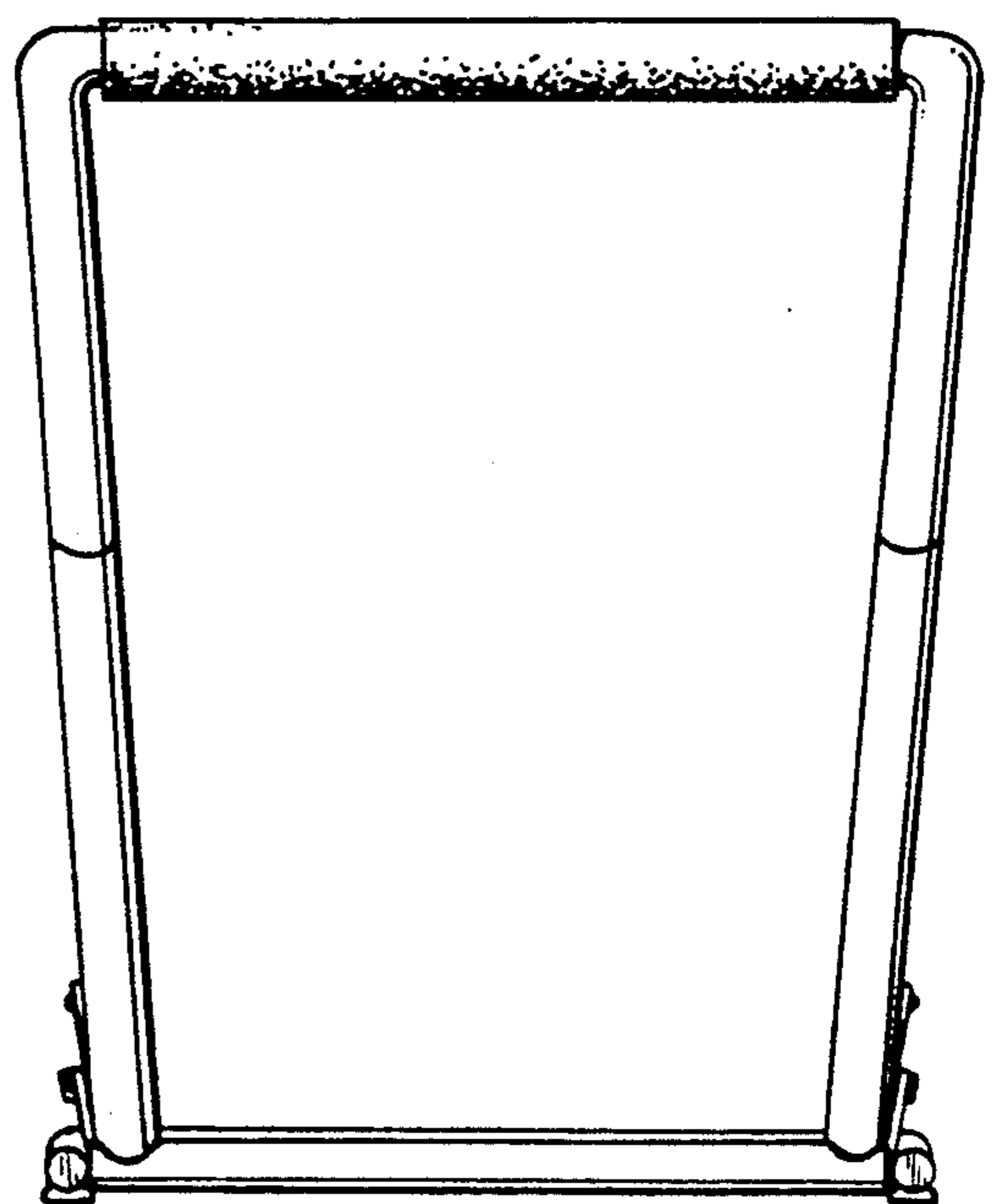


FIG. 6

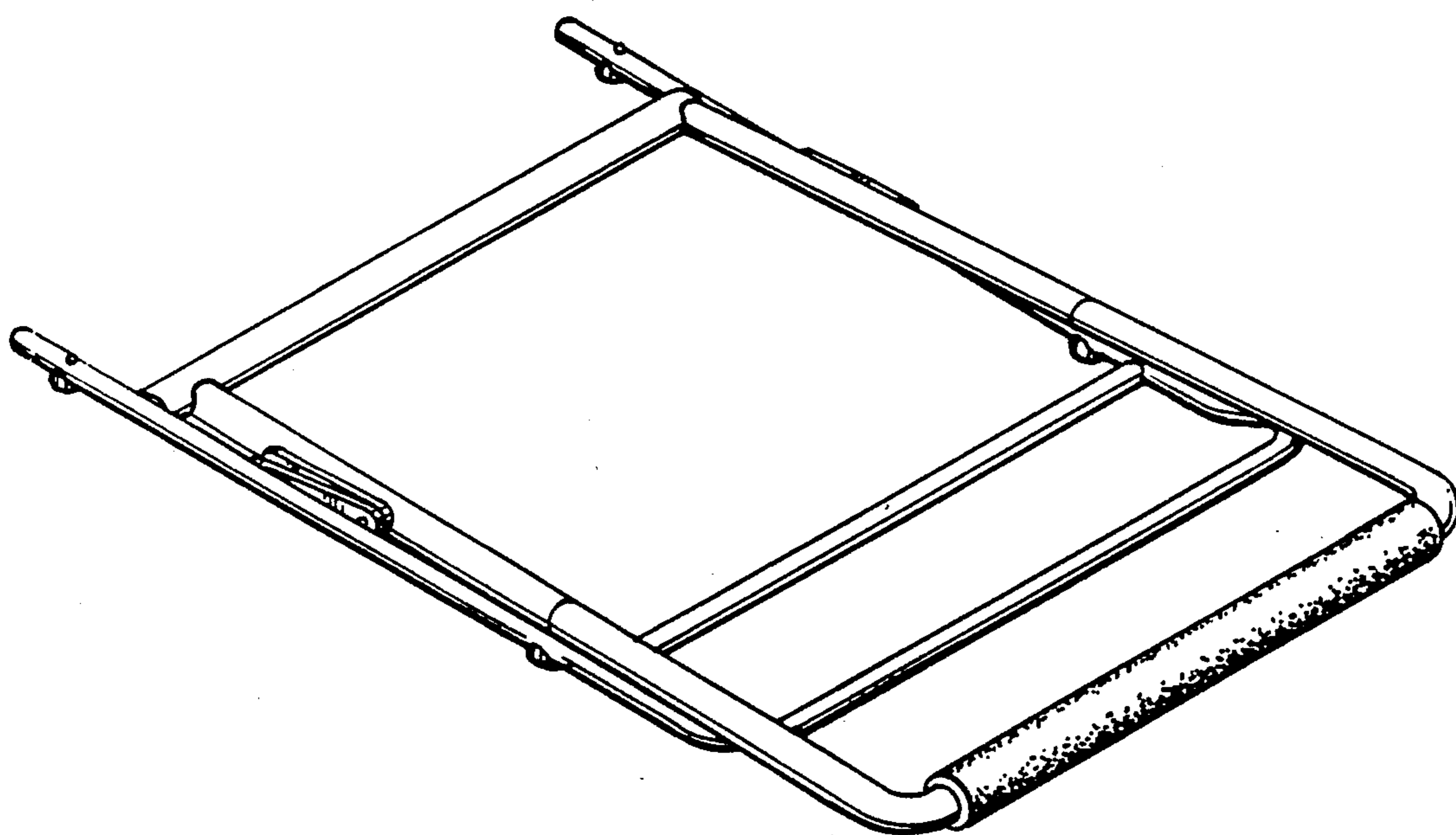


FIG. 7