



US00D323688S

# United States Patent [19]

[11] Patent Number: **Des. 323,688**

Whitney

[45] Date of Patent: **\*\* Feb. 4, 1992**

[54] **GOLF PUTTER HEAD**

D. 317,035 5/1991 Pelz ..... D21/219

[76] Inventor: **Denzil E. Whitney**, 931 Lincoln Ave.,  
Napa, Calif. 94558

*Primary Examiner*—Melvin B. Feifer  
*Attorney, Agent, or Firm*—Townsend & Townsend

[\*\*] Term: **14 Years**

[57] **CLAIM**

[21] Appl. No.: **377,013**

The ornamental design for a golf putter head, as shown and described.

[22] Filed: **Jul. 7, 1989**

[52] U.S. Cl. .... **D21/219**

[58] Field of Search ..... **D21/214-220;**  
**273/164, 167-175**

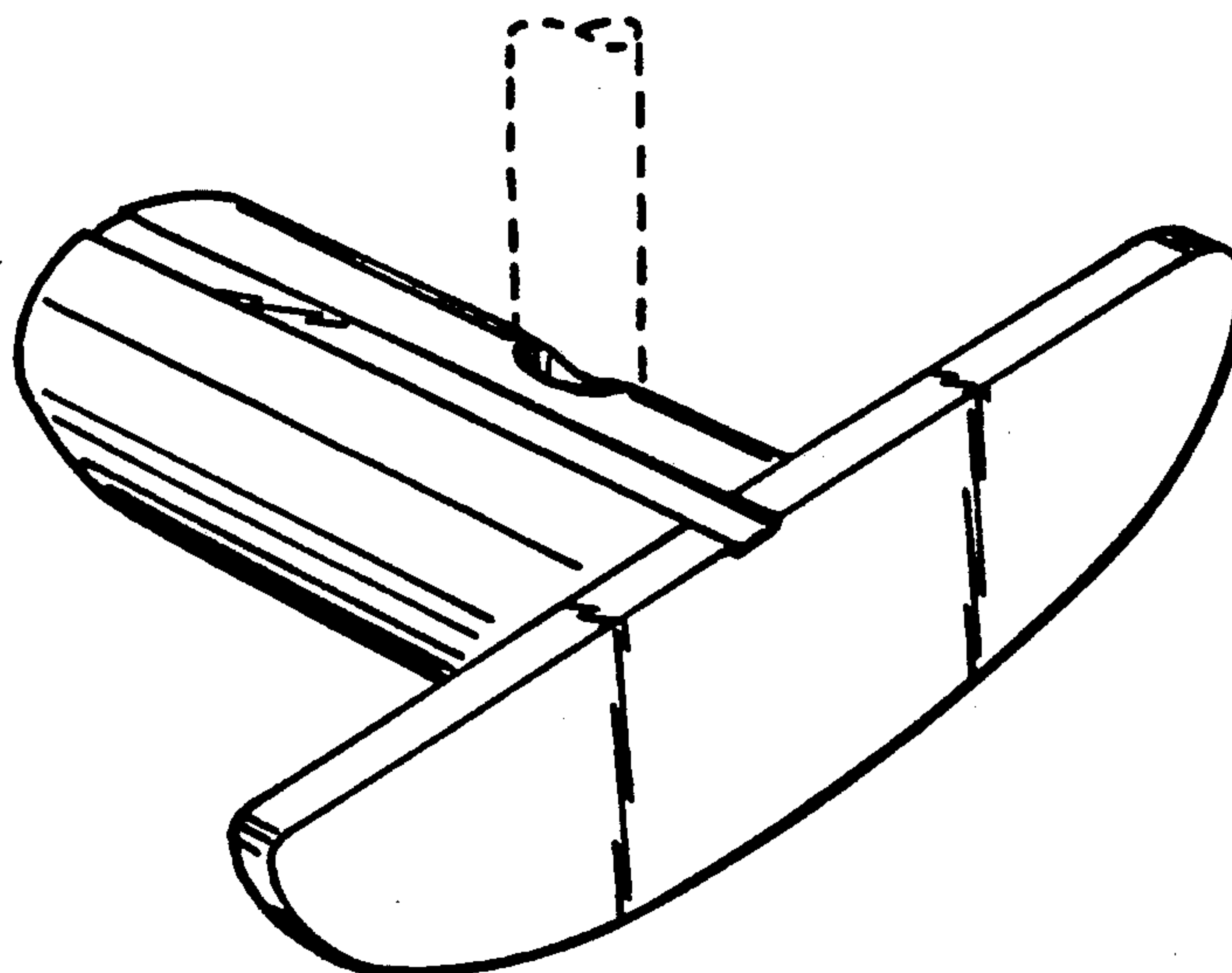
**DESCRIPTION**

[56] **References Cited**

**U.S. PATENT DOCUMENTS**

- D. 196,736 10/1963 De Carlo ..... D21/217
- D. 228,929 10/1973 Hoglund ..... D21/219
- D. 229,204 11/1973 Romero ..... D21/217
- D. 285,818 9/1986 Moore ..... D21/219

FIG. 1 is a front perspective view of a golf putter head showing my new design. The broken line showing of a shaft segment is for illustrated purposes only;  
 FIG. 2 is a top plan view thereof;  
 FIG. 3 is a front elevational view thereof;  
 FIG. 4 is a right side elevational view thereof;  
 FIG. 5 is a left side elevational view thereof;  
 FIG. 6 is a rear elevational view thereof; and  
 FIG. 7 is a bottom plan view thereof.



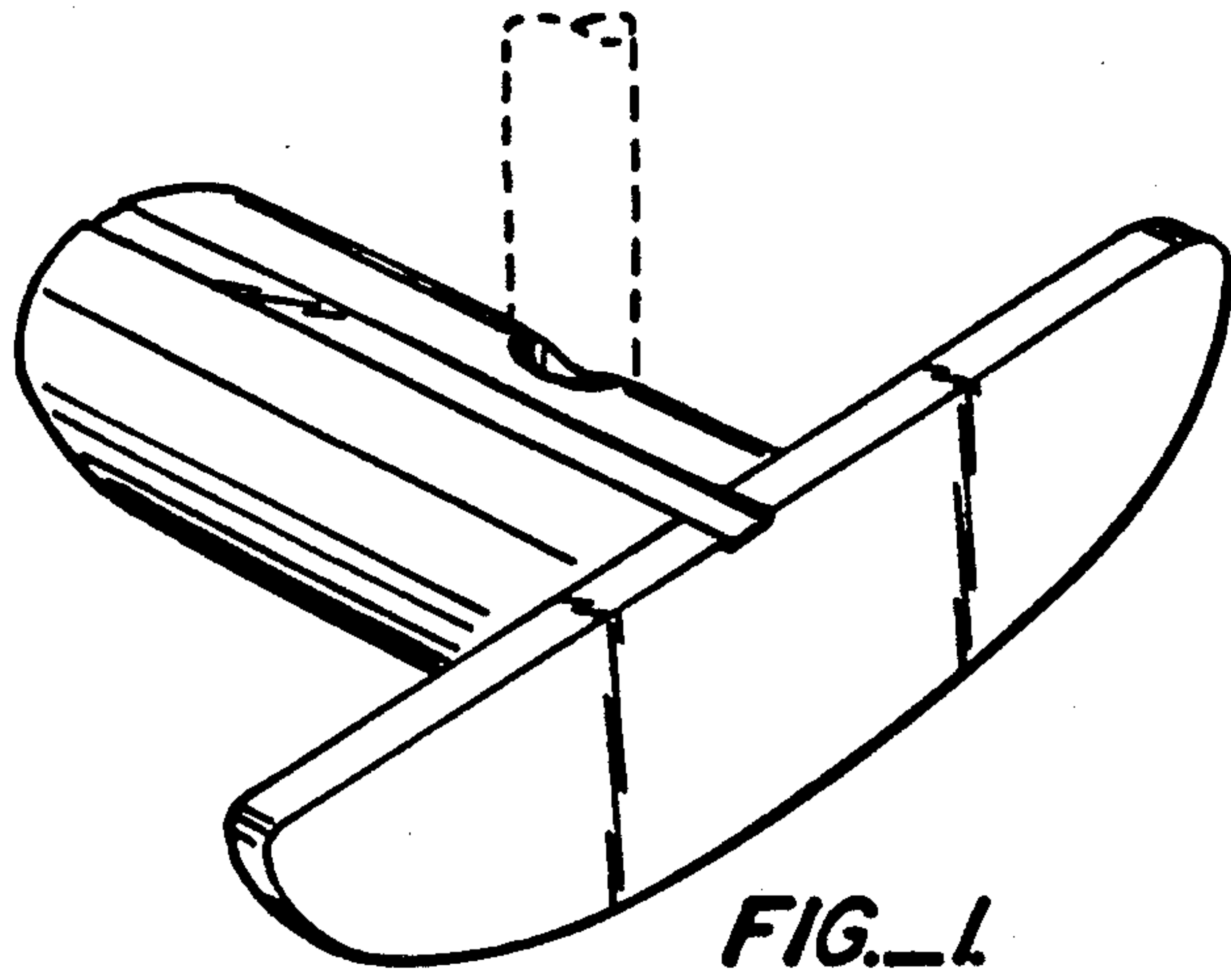


FIG. 1.

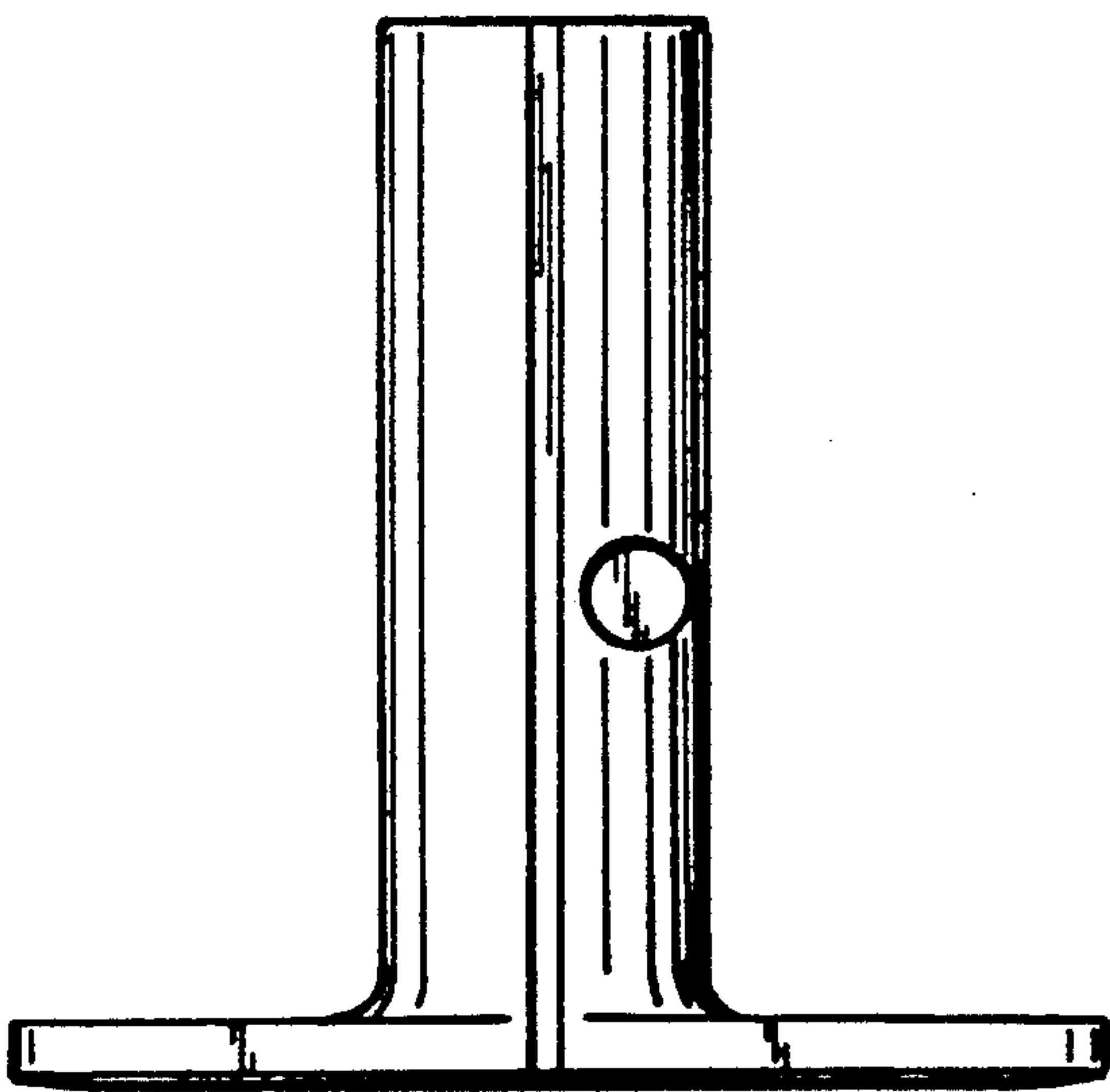


FIG. 2.

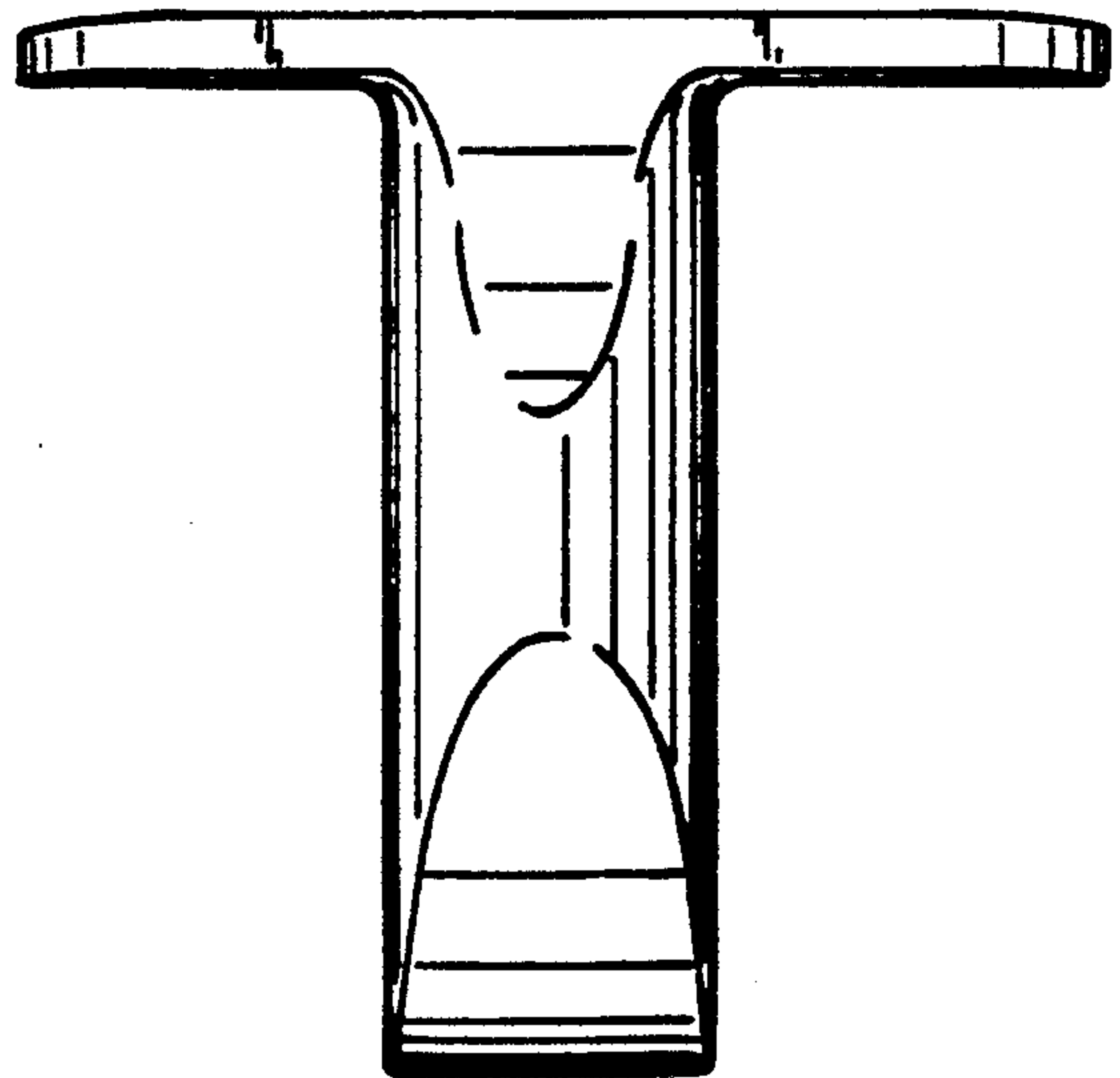


FIG. 7.

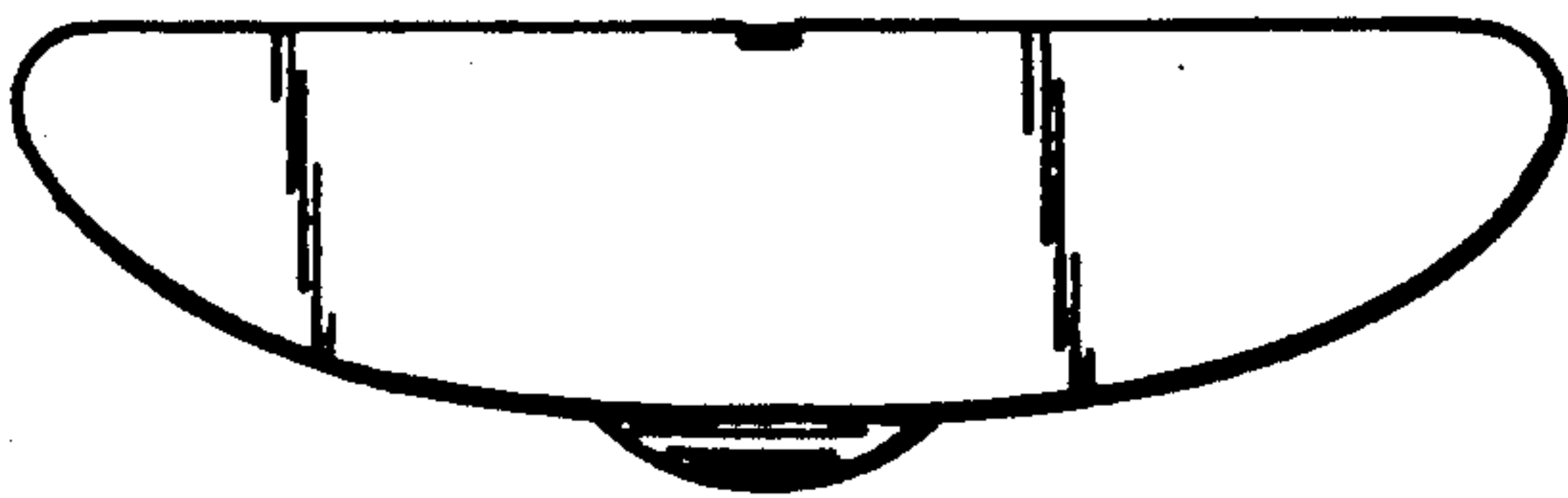


FIG. 3.

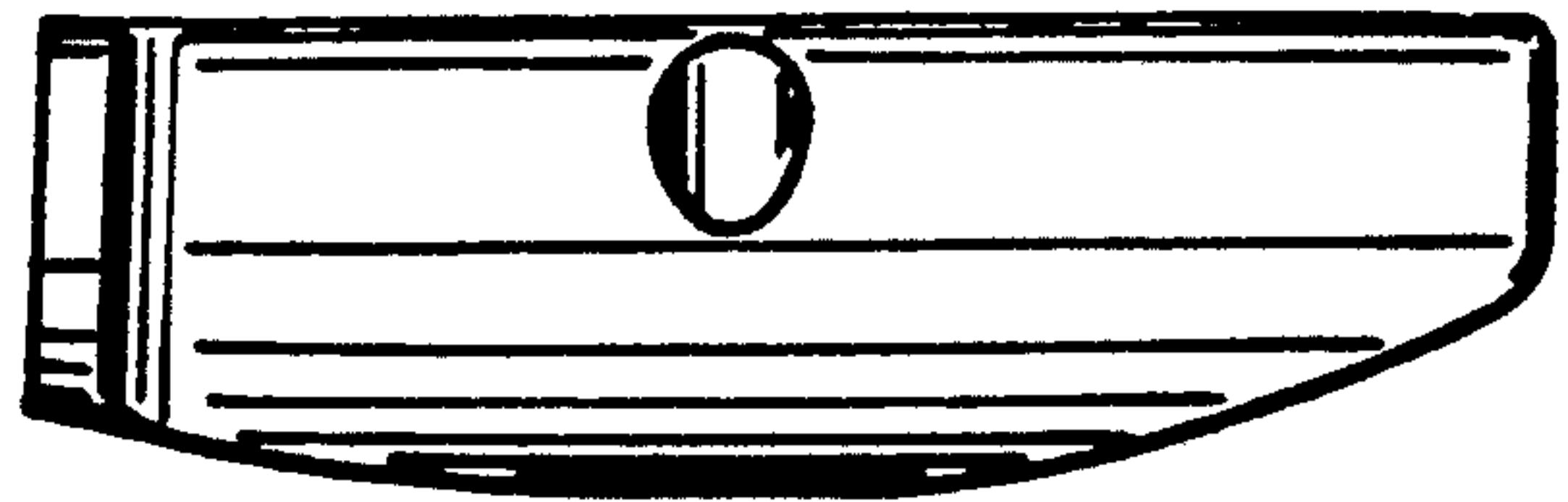


FIG. 4.

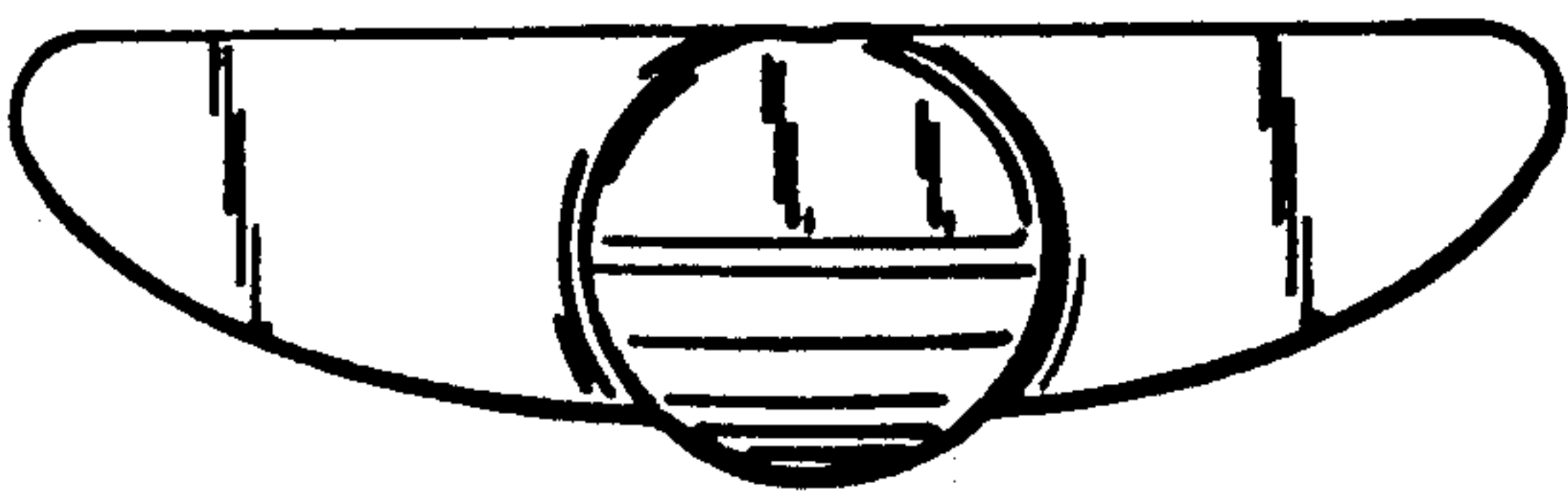


FIG. 6.

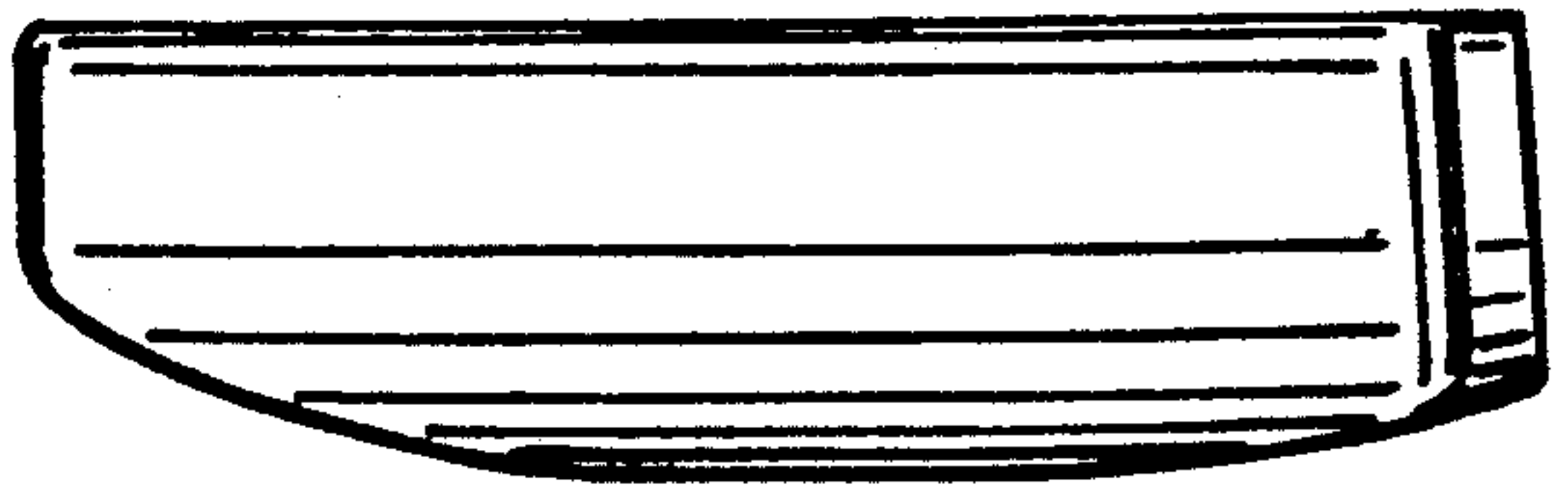


FIG. 5.