



US00D323682S

# United States Patent [19]

[11] Patent Number: **Des. 323,682**

MacDermott

[45] Date of Patent: **\*\* Feb. 4, 1992**

## [54] GAME TABLE

[76] Inventor: **Marcel MacDermott**, 729 Paul-Emile Borduas Street, P.Q., St-Hilaire, Québec, Canada

[\*\*] Term: **14 Years**

[21] Appl. No.: **505,647**

[22] Filed: **Apr. 5, 1990**

### [30] Foreign Application Priority Data

Feb. 2, 1990 [CA] Canada ..... 02-02-90-10

[52] U.S. Cl. .... **D21/14**

[58] Field of Search ..... D21/11, 14, 232; 273/123 R, 126 R, 126 A, 128 R

### [56] References Cited

#### U.S. PATENT DOCUMENTS

D. 179,689	2/1957	Kordek	.....	D21/11
D. 215,220	9/1969	Eide	.....	D21/232
D. 249,971	10/1978	Fields, Jr.	.....	D21/232
3,310,307	3/1967	Brown	.....	273/126 R
3,954,267	5/1976	Freeman et al.	.....	273/126 A
4,995,611	2/1991	Goldthorpe	.....	273/126 R

## OTHER PUBLICATIONS

*The Sporting Goods Dealer*, Jan. 1969, p. 414, "Shuffleboard".

*Playthings*, Sep. 1960, p. 49, #J635, lower right.

Primary Examiner—Bernard Ansher

Assistant Examiner—Sandra Morris

Attorney, Agent, or Firm—McGlew and Tuttle

## [57] CLAIM

The ornamental design for a game table, as shown and described.

## DESCRIPTION

FIG. 1 is a perspective view of a game table, showing my new design;

FIG. 2 is a side elevational view thereof, the other side being identical;

FIG. 3 is an end elevational view thereof, the other end being identical;

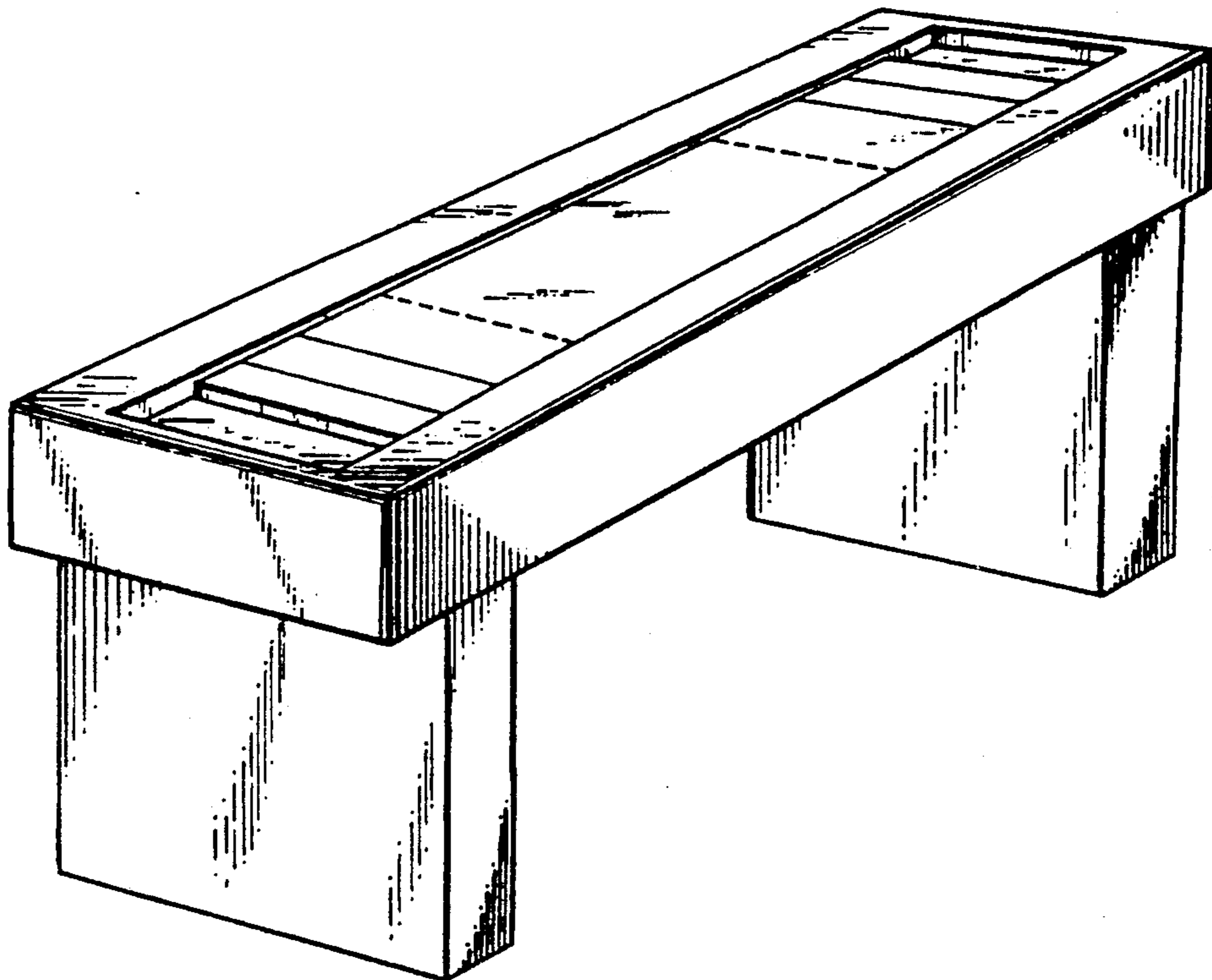
FIG. 4 is a top plan view thereof;

FIG. 5 is a perspective view of a second embodiment of the design;

FIG. 6 is a side elevational view of FIG. 5, the other side being identical;

FIG. 7 is an end elevational view of FIG. 5, the other end being identical; and

FIG. 8 is a top plan view of FIG. 5.



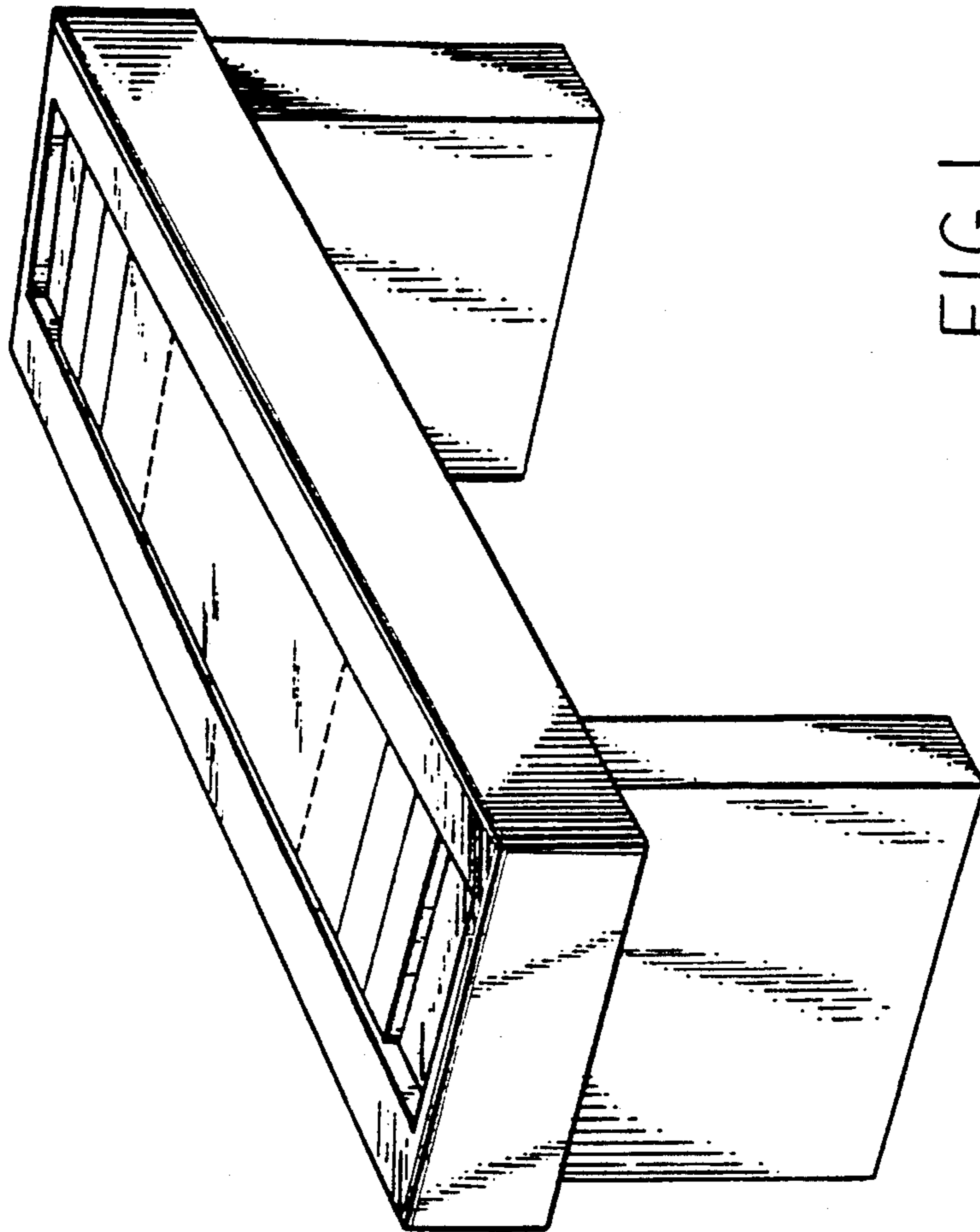


FIG. 1

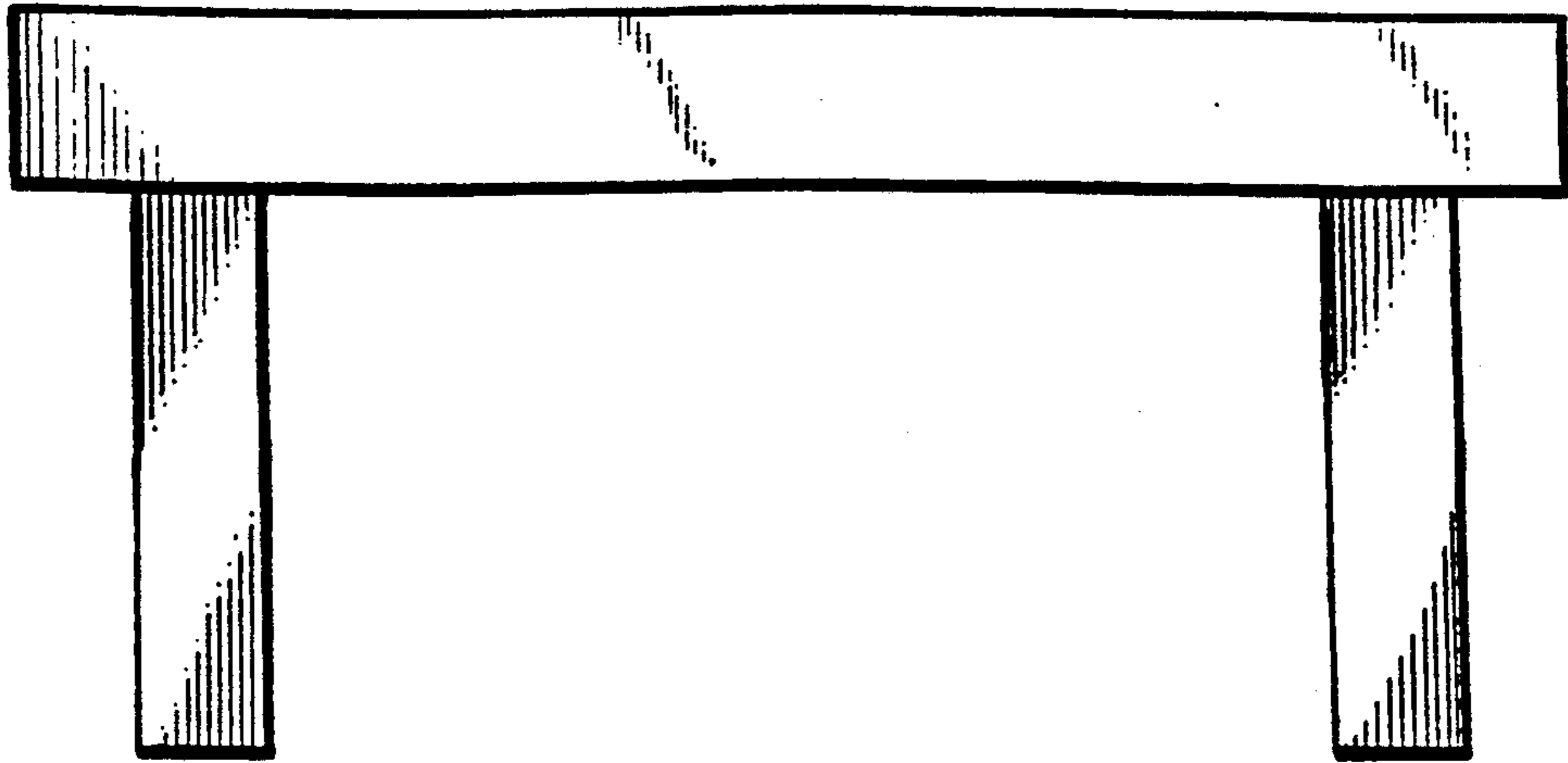


FIG. 2

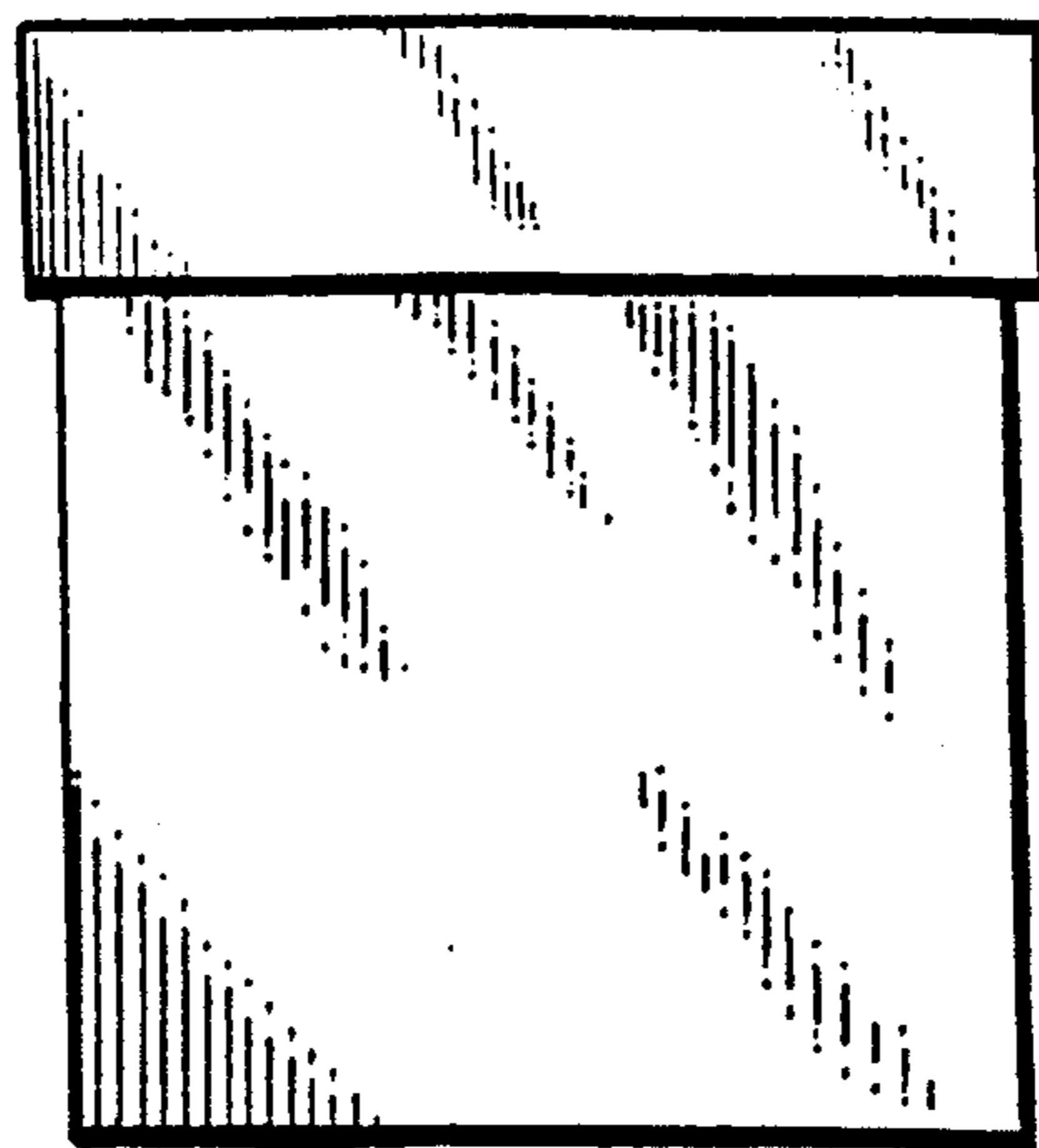


FIG. 3

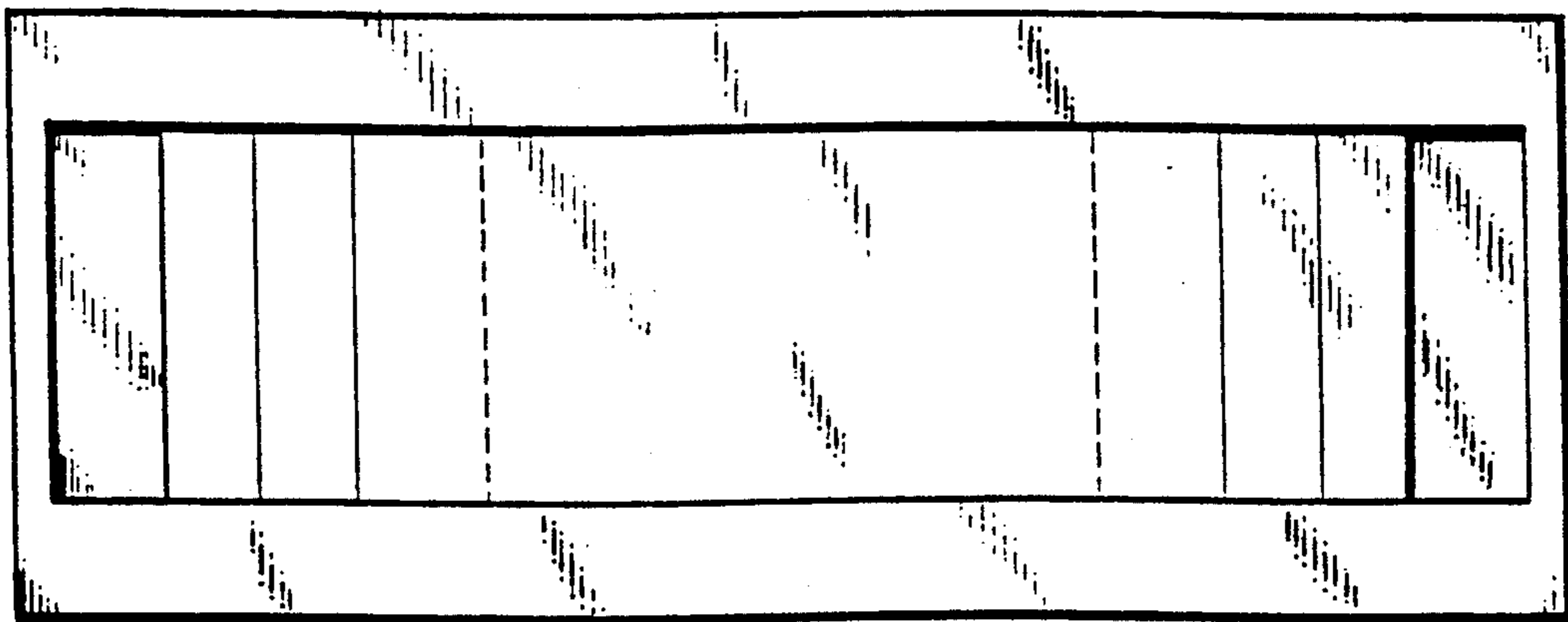


FIG. 4

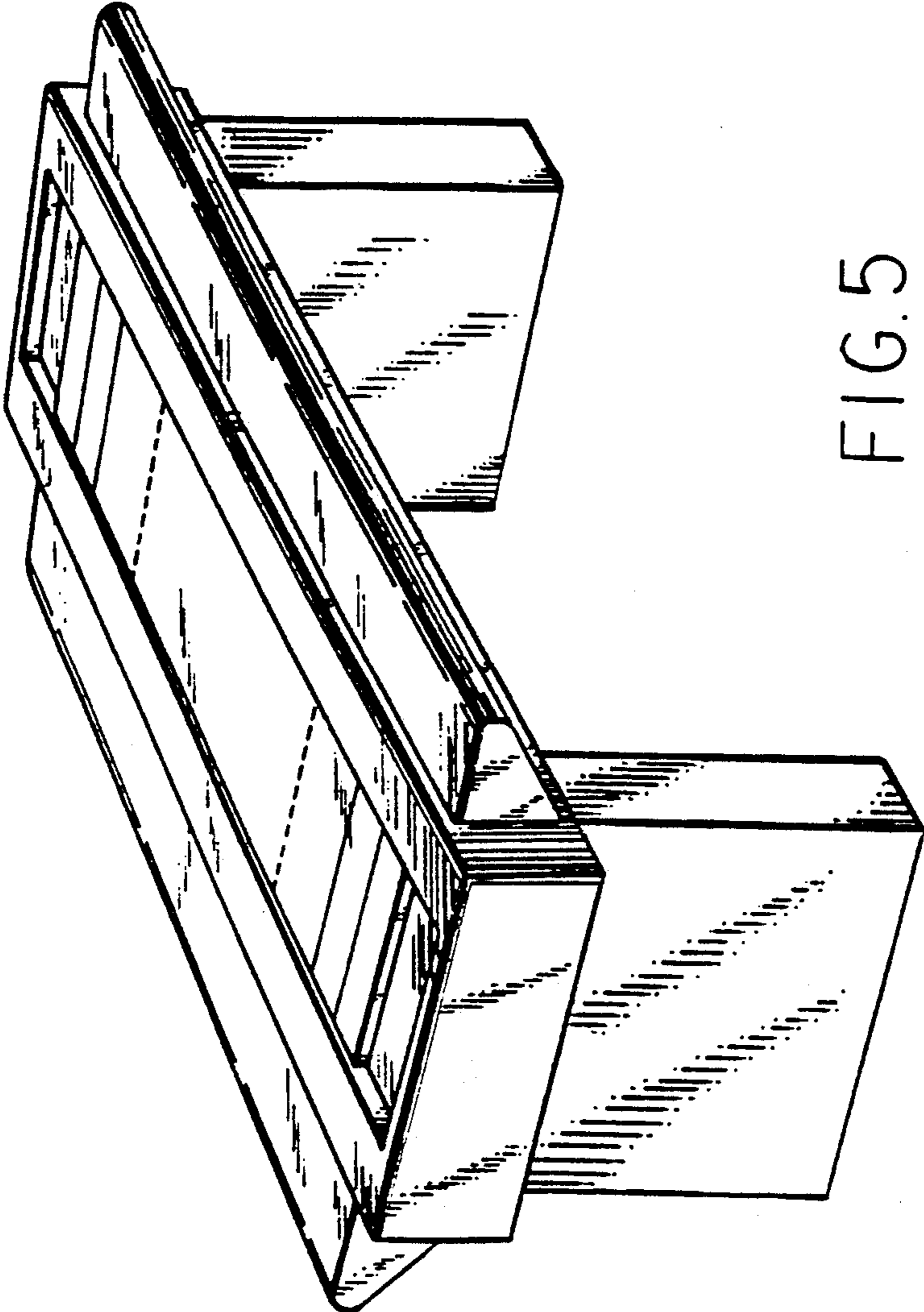


FIG. 5

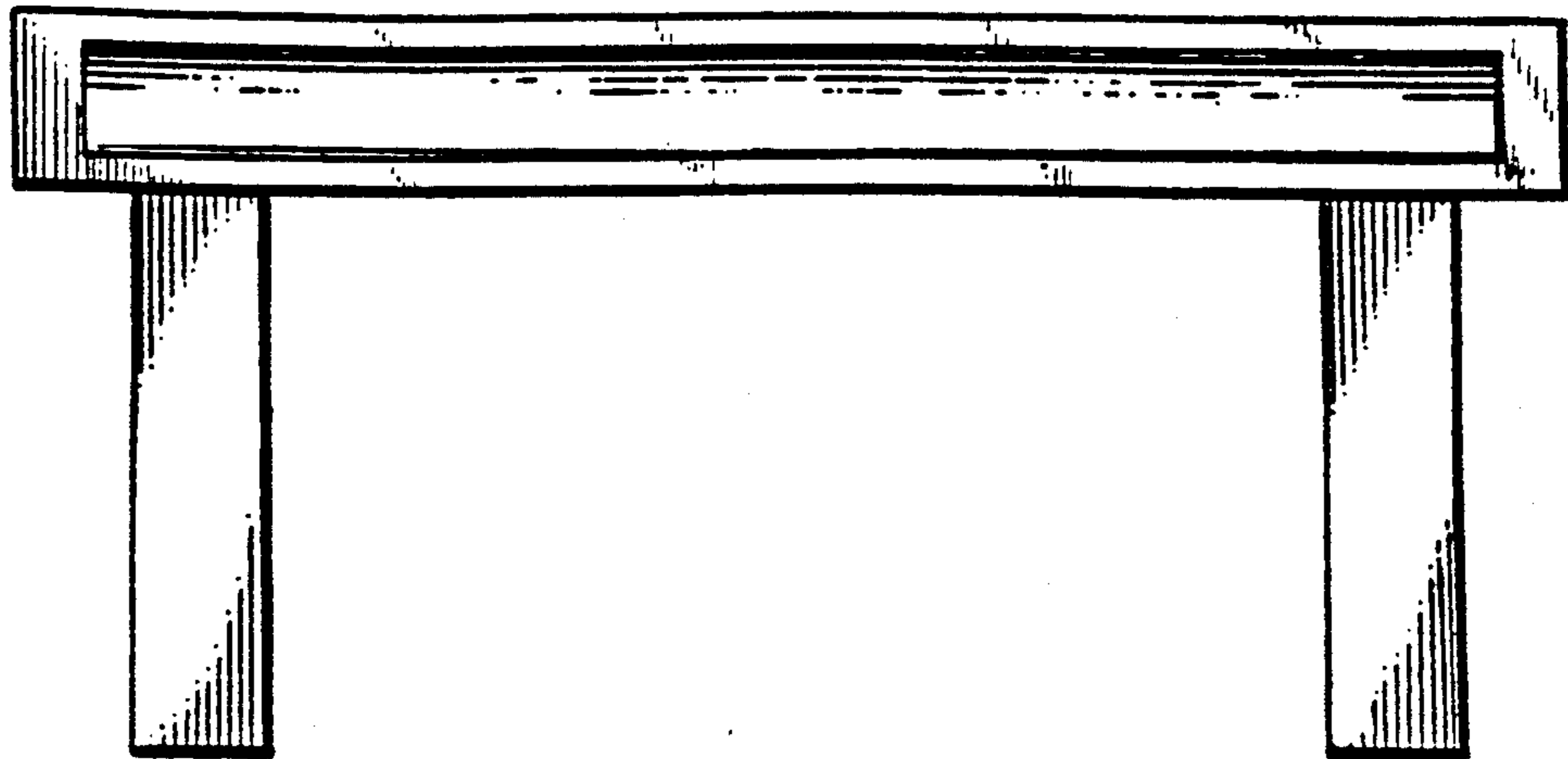


FIG. 6

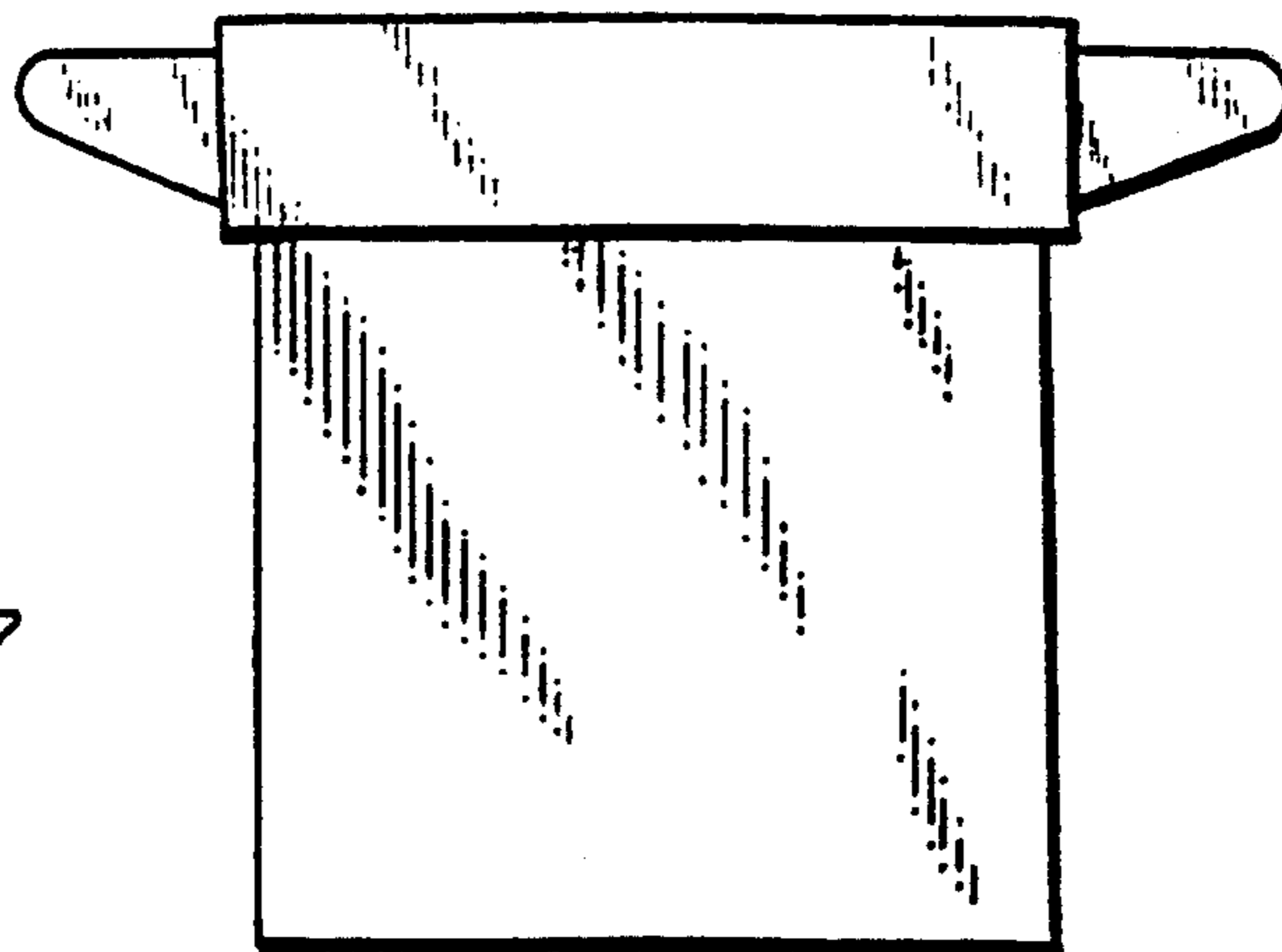


FIG. 7

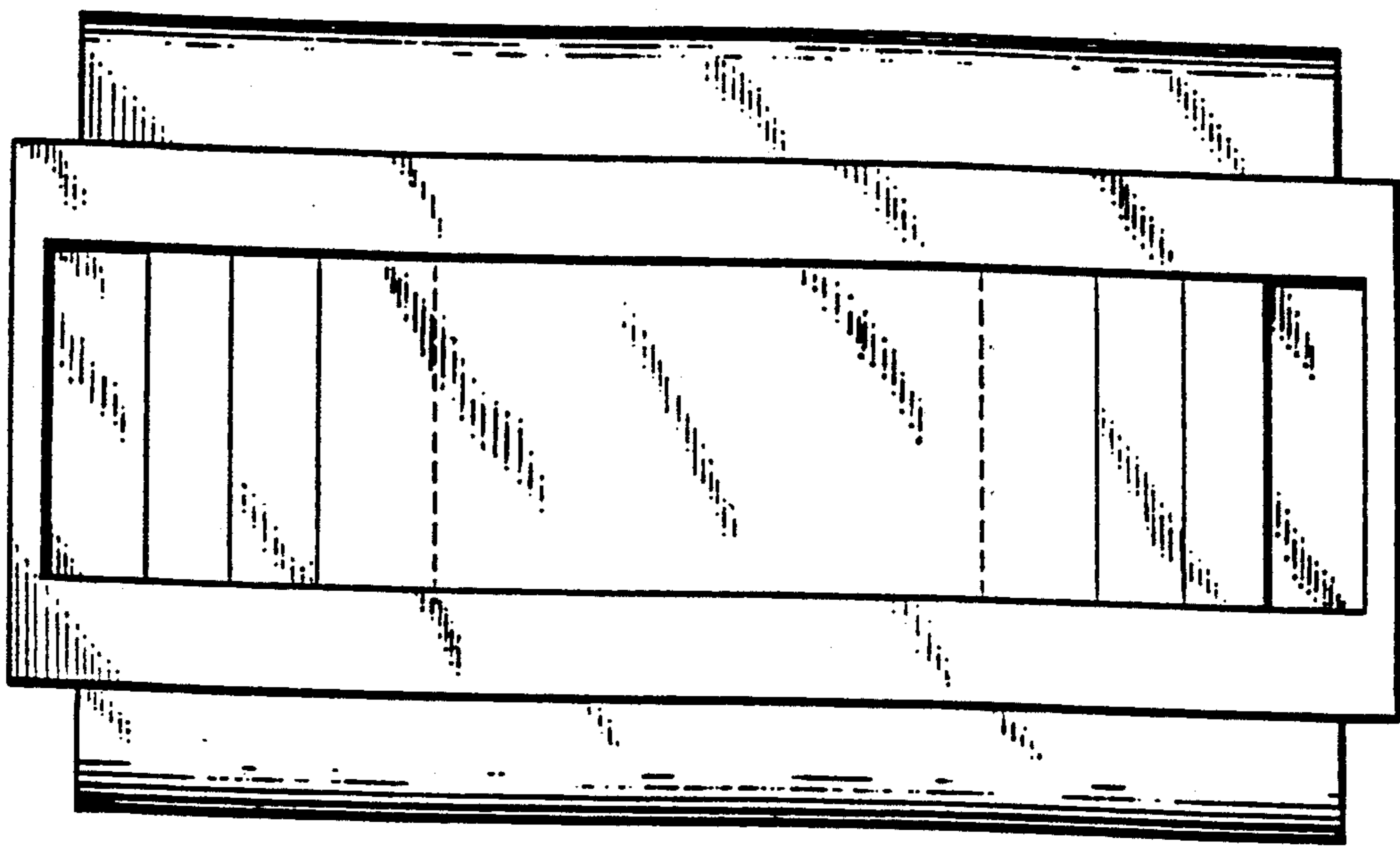


FIG. 8