



US00D323679S

# United States Patent [19]

[11] Patent Number: **Des. 323,679**

**Burgess**

[45] Date of Patent: **\*\* Feb. 4, 1992**

[54] **FOOD AND BEVERAGE MENU HOLDER FOR RESTAURANT TABLES OR THE LIKE**

2,113,406	4/1938	Koeble .....	40/124.1
2,142,826	1/1939	Rosello .....	40/124.1
3,086,658	4/1963	Palmer .....	D6/449
4,235,032	11/1980	Robinson .....	40/124.1

[75] Inventor: **Karen E. Burgess, Branford, Conn.**

[73] Assignee: **Gastro-Gnomes, Inc., West Hartford, Conn.**

*Primary Examiner*—Wallace R. Burke  
*Assistant Examiner*—Marcus Jackson  
*Attorney, Agent, or Firm*—Ware, Fressola, Van Der Sluys and Adolphson

[\*\*] Term: **14 Years**

[21] Appl. No.: **526,320**

[57] **CLAIM**

[22] Filed: **May 18, 1990**

The ornamental design for a food and beverage menu holder for restaurant tables or the like, as shown and described.

[52] U.S. Cl. .... **D20/40**

[58] Field of Search ..... **D20/10, 41, 40, 43, D20/42; 40/124, 124.1, 124.2, 606, 611; D6/449, 451**

**DESCRIPTION**

[56] **References Cited**

**U.S. PATENT DOCUMENTS**

D. 62,338	5/1923	Nutrizio .....	D6/449
D. 188,839	9/1960	Zucchini .....	D20/29
D. 262,802	1/1982	Ylvisaker et al. ....	D20/40
D. 307,525	5/1990	Smith .....	D6/451
D. 313,050	12/1990	Burgess .....	D20/40

FIG. 1 is a perspective view of a food and beverage menu holder for restaurant tables or the like showing my new design;  
FIG. 2 is a top plan view thereof;  
FIG. 3 is a front elevational view thereof, with the rear being a mirror image;  
FIG. 4 is a right side elevational view thereof;  
FIG. 5 is a left side elevational view thereof; and  
FIG. 6 is a bottom plan view thereof.

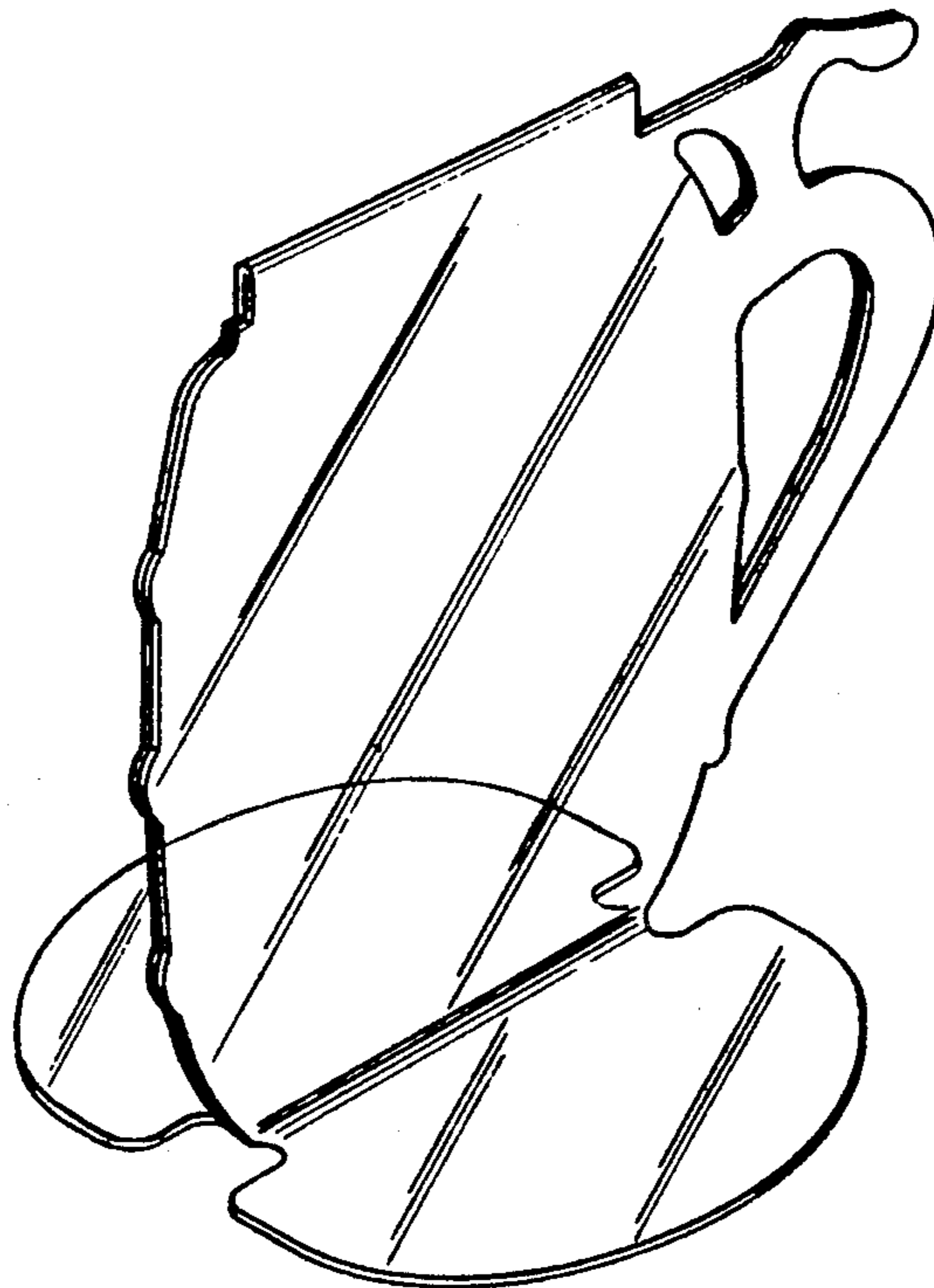


FIG. 1

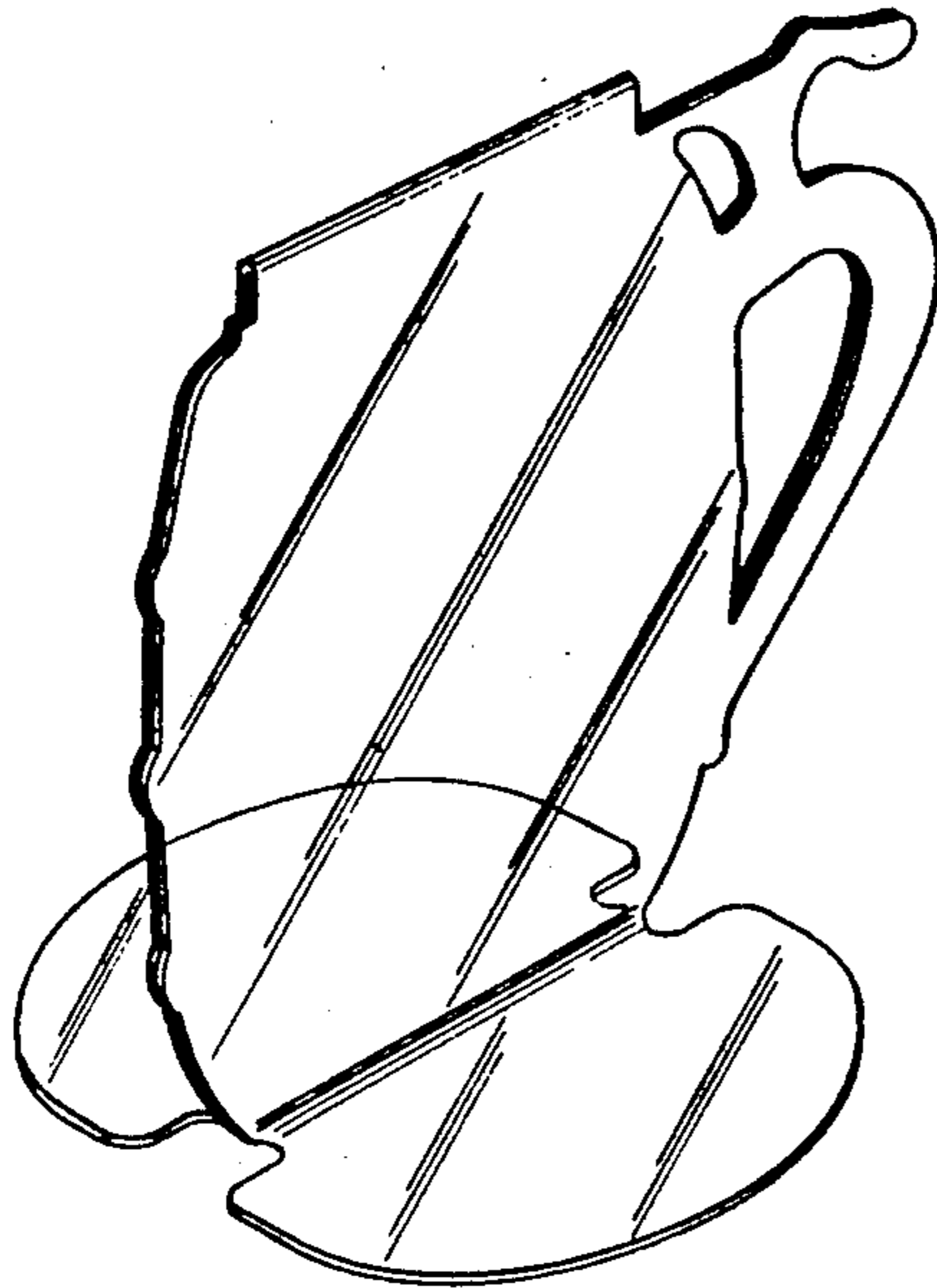


FIG. 2

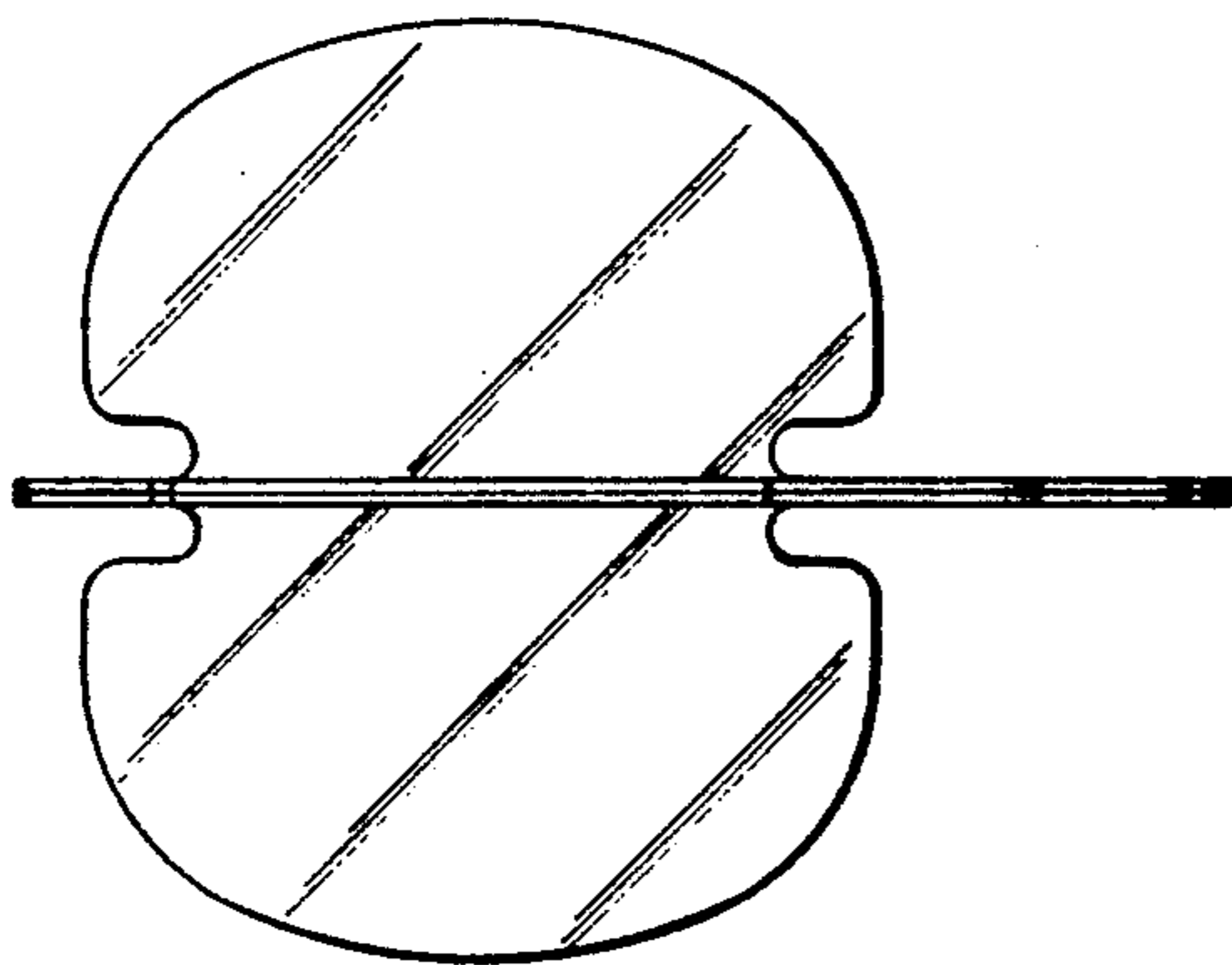


FIG. 3

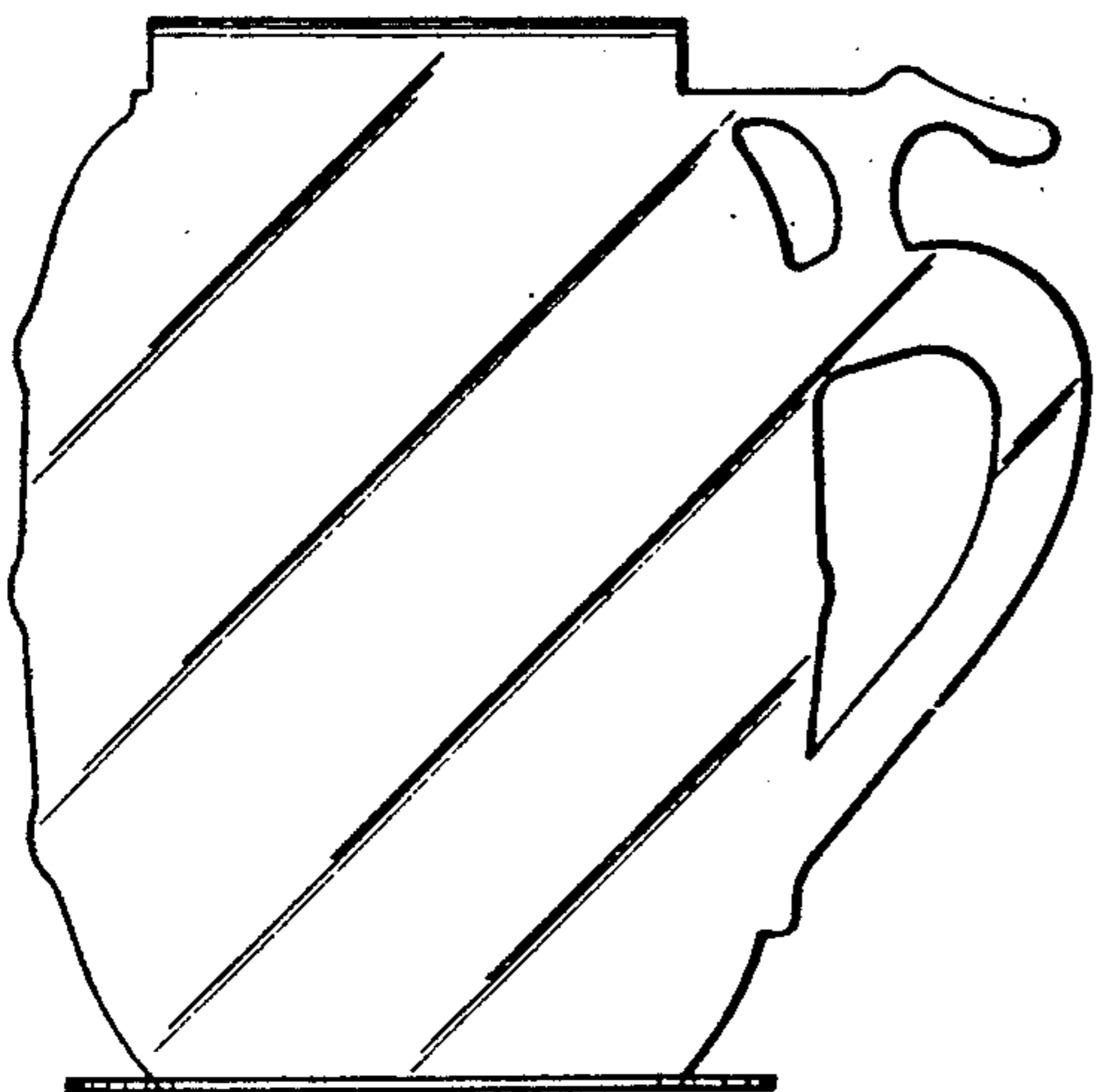


FIG. 4

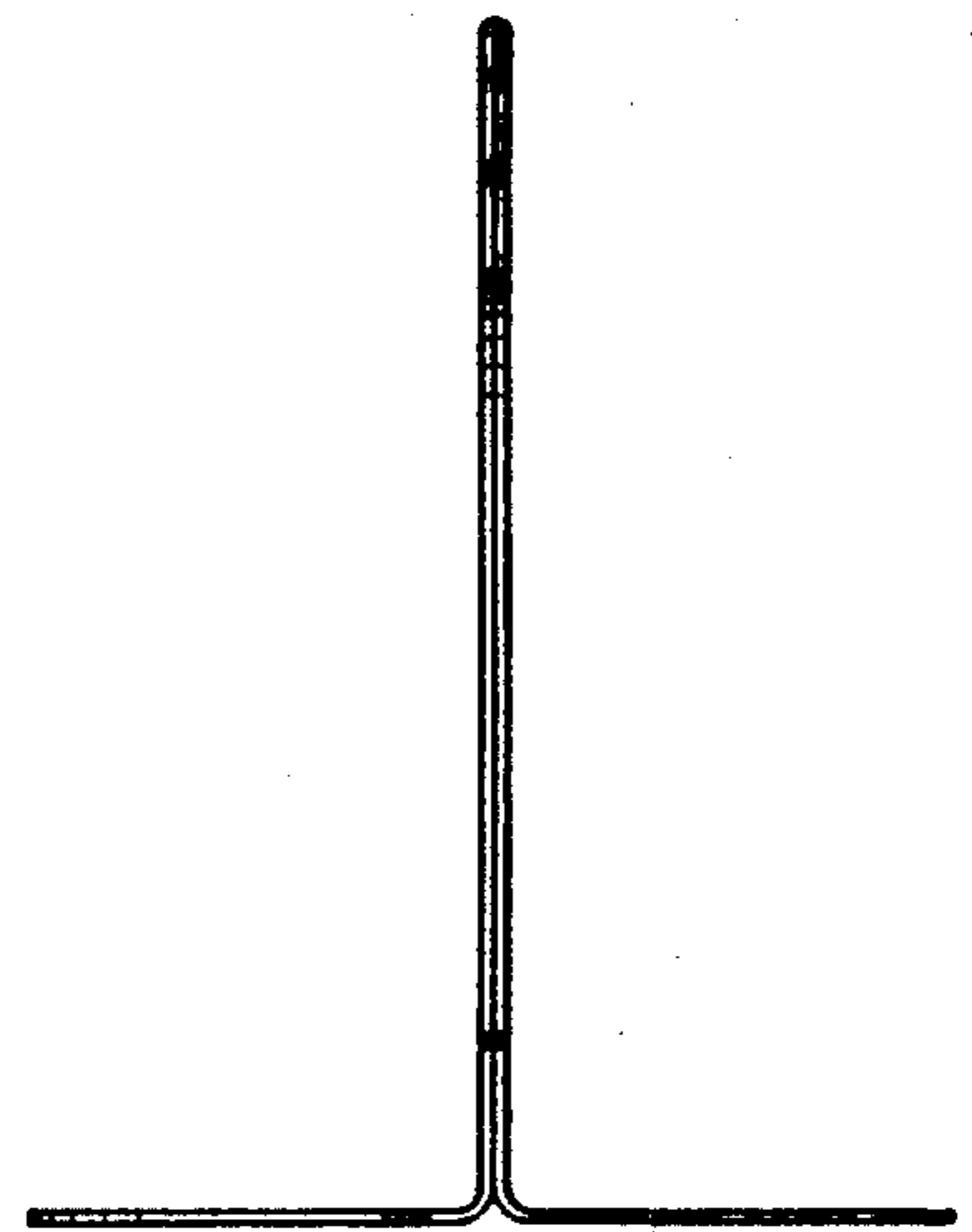


FIG. 6

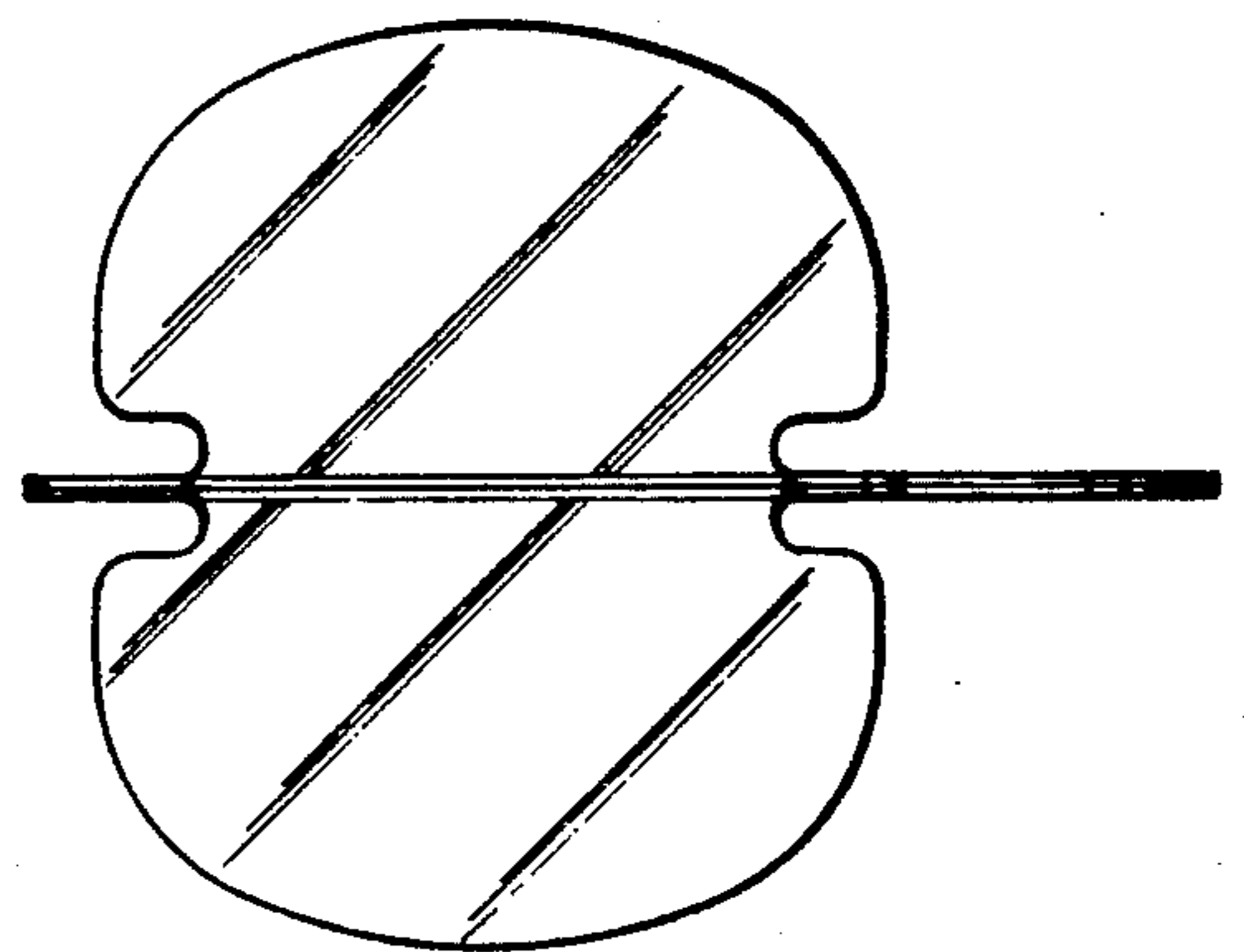


FIG. 5

