



US00D323674S

United States Patent [19]

[11] Patent Number: **Des. 323,674**

Winslow

[45] Date of Patent: **** Feb. 4, 1992**

[54] **COMBINED FLASHLIGHT AND INSECT VIEWING CONTAINER**

660,782	10/1900	Strümpell	D19/62 X
1,554,905	9/1925	Bignold .	
3,029,694	9/1959	Dantzic .	
3,410,635	11/1968	Lockwood .	
3,450,458	5/1966	Potrzuski .	
3,494,067	2/1970	Potrzuski .	
3,656,840	4/1972	Smith et al. .	

[75] Inventor: **David L. Winslow**, Cincinnati, Ohio

[73] Assignee: **James F. Mariol**, Cincinnati, Ohio

[**] Term: **14 Years**

[21] Appl. No.: **307,885**

[22] Filed: **Feb. 7, 1989**

[52] U.S. Cl. **D19/62; D26/38**

[58] Field of Search **D19/59, 60, 61, 62, D19/63, 64, 297, 393, 296; 434/224, 227, 195, 335, 337, 322, 323, 324, 370, 379; 350/239; D26/38**

Primary Examiner—Wallace R. Burke
Assistant Examiner—P. Schmidt
Attorney, Agent, or Firm—Dressler, Goldsmith, Shore, Sutker & Milnamow, Ltd.

[57] CLAIM

The ornamental design for a combined flashlight and insect viewing container, as shown and described.

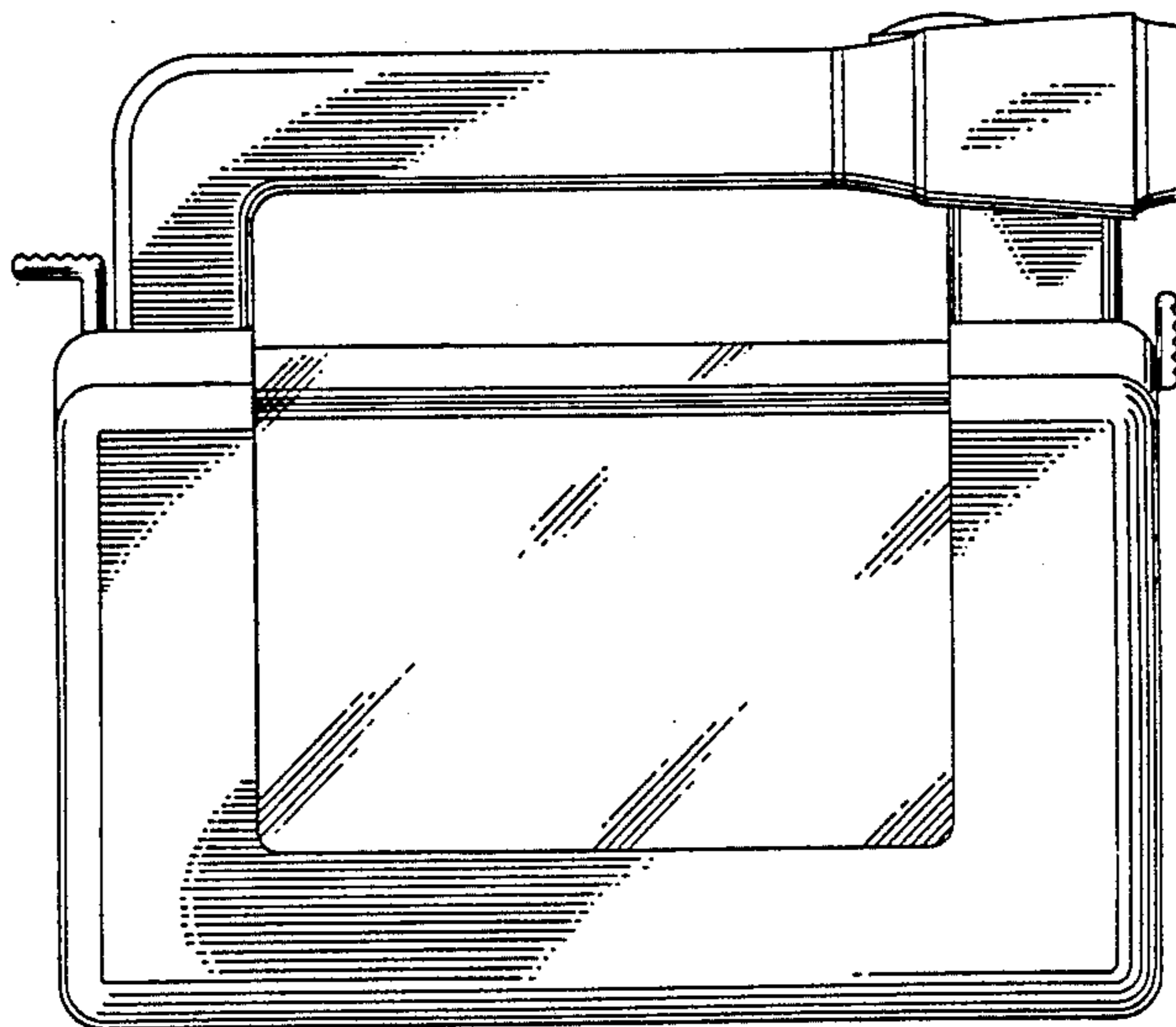
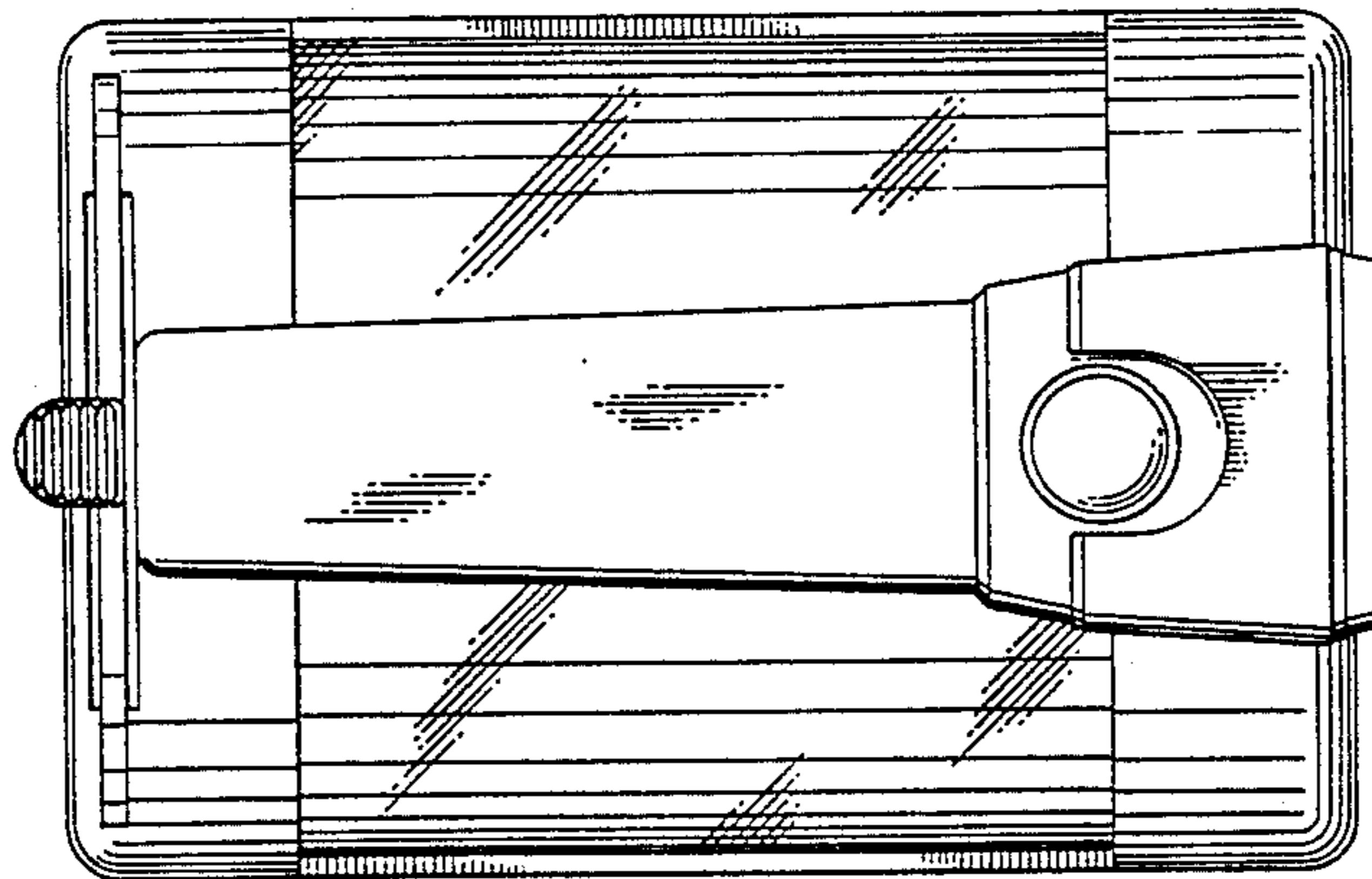
DESCRIPTION

FIG. 1 is a top plan view of a combined flashlight and insect viewing container showing our new design; FIG. 2 is a right side elevational view thereof, the left side thereof being a mirror image of the right side thereof; FIG. 3 is a rear elevational view thereof; FIG. 4 is a front elevational view thereof; and FIG. 5 is a bottom plan view thereof.

[56] References Cited

U.S. PATENT DOCUMENTS

- | | | | |
|------------|---------|---------------------|-----------|
| D. 162,750 | 4/1951 | Polye et al. | D10/47 |
| D. 222,065 | 9/1971 | Sheidlower et al. . | |
| D. 255,946 | 7/1980 | Galbreath . | |
| D. 281,283 | 11/1985 | Cazier . | |
| D. 292,932 | 11/1987 | McGinley | D19/62 |
| D. 310,216 | 8/1990 | Ooi et al. | D14/135 X |



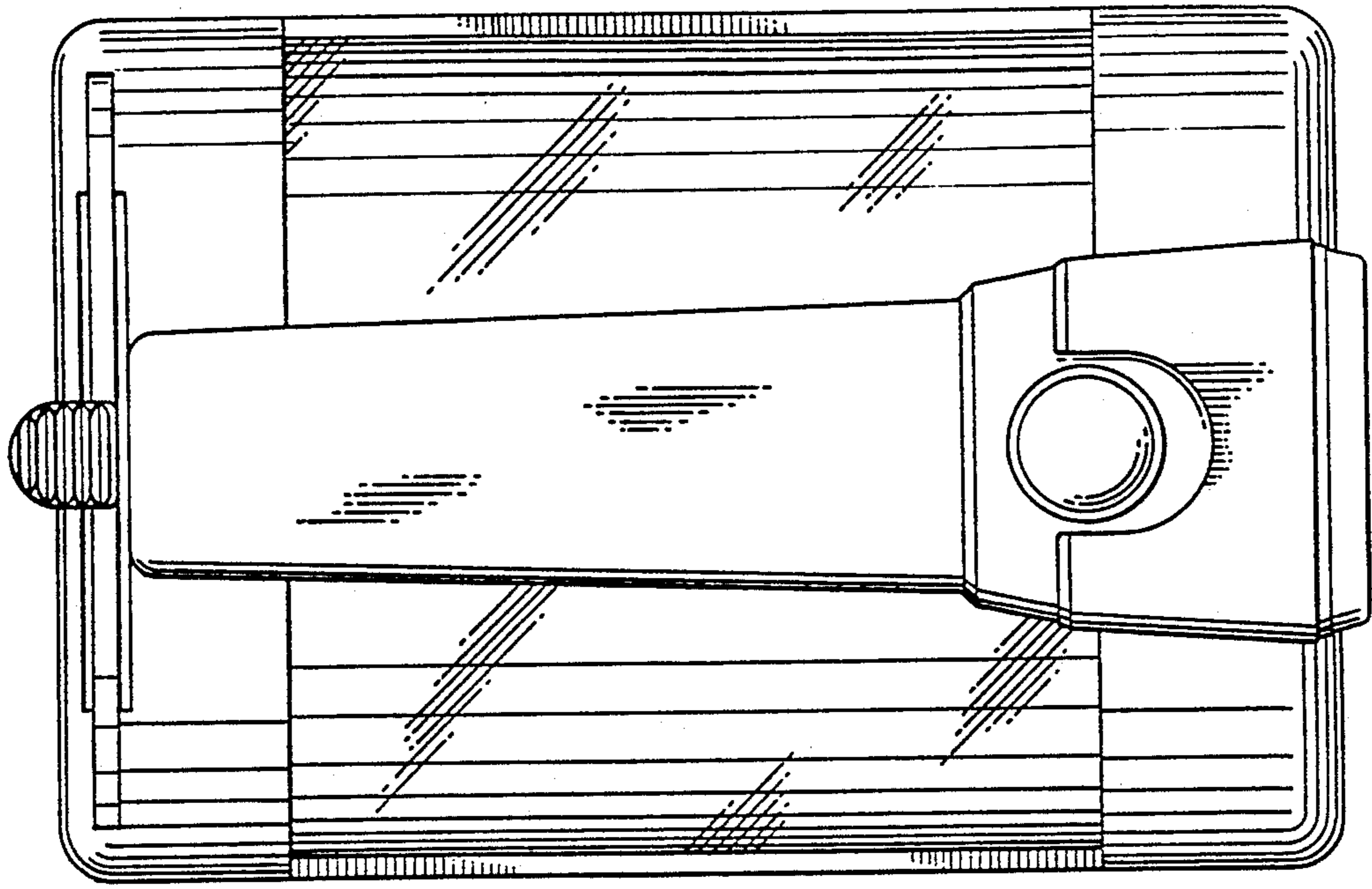


FIG. 1

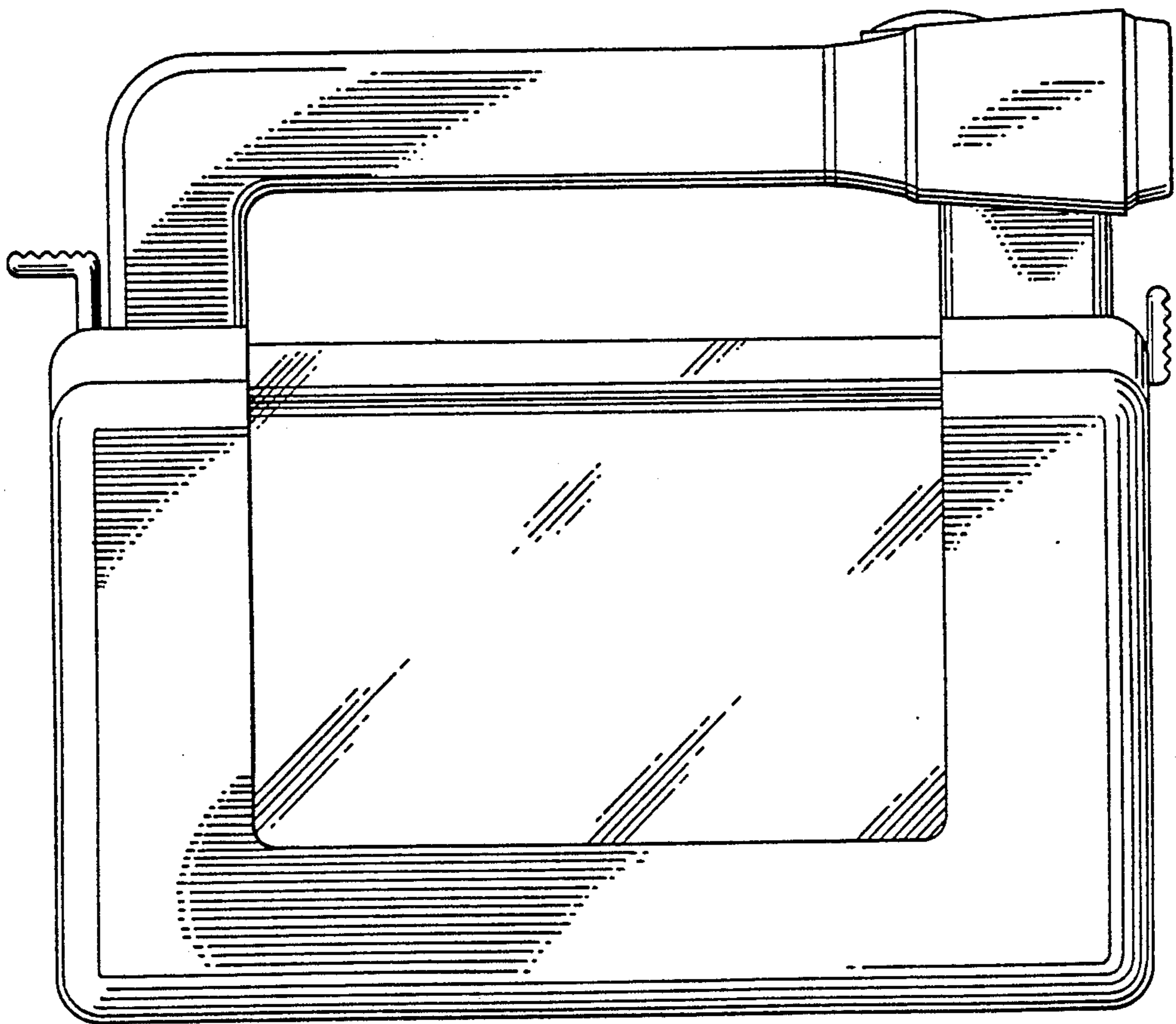


FIG. 2

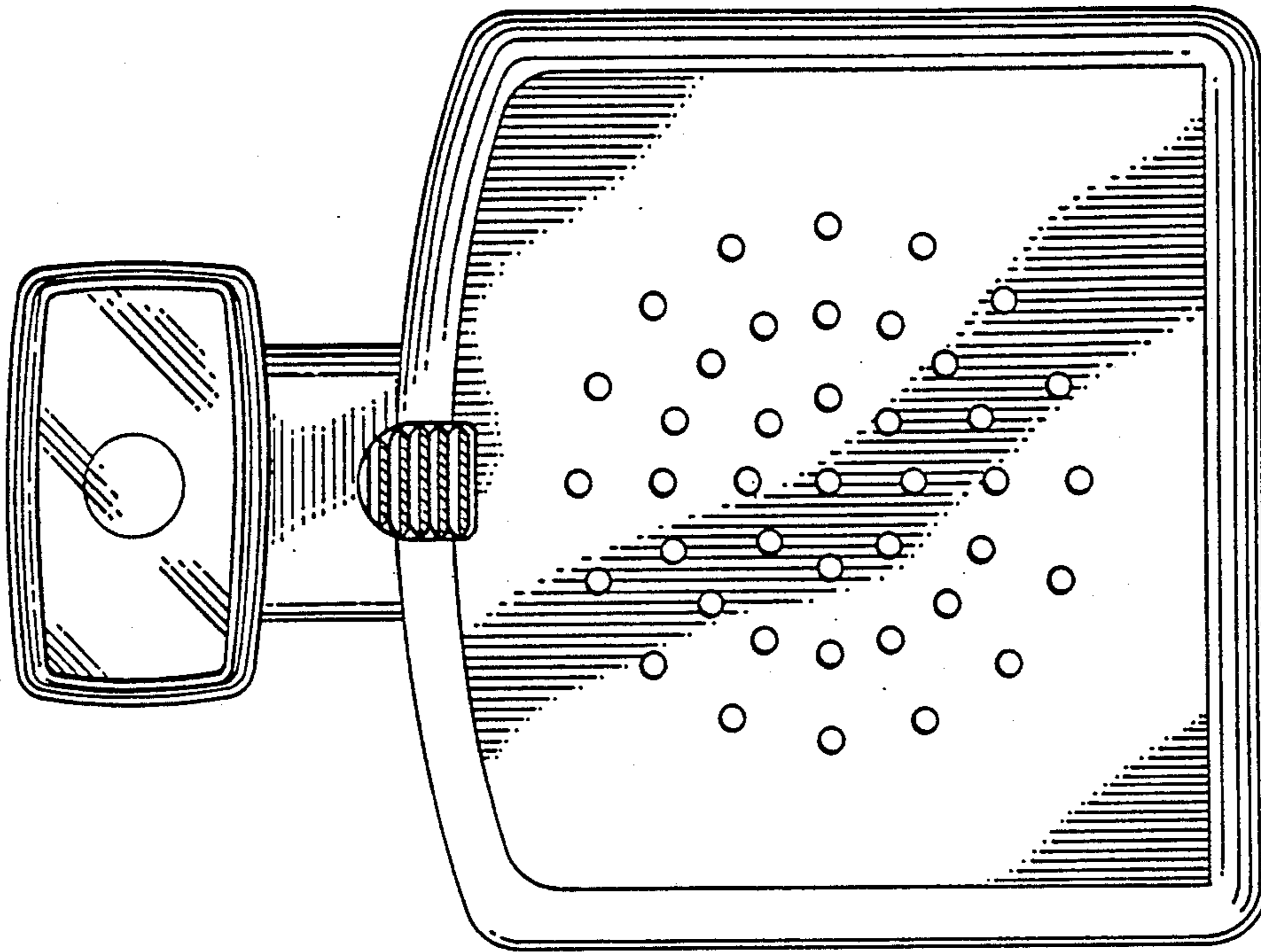


FIG. 4

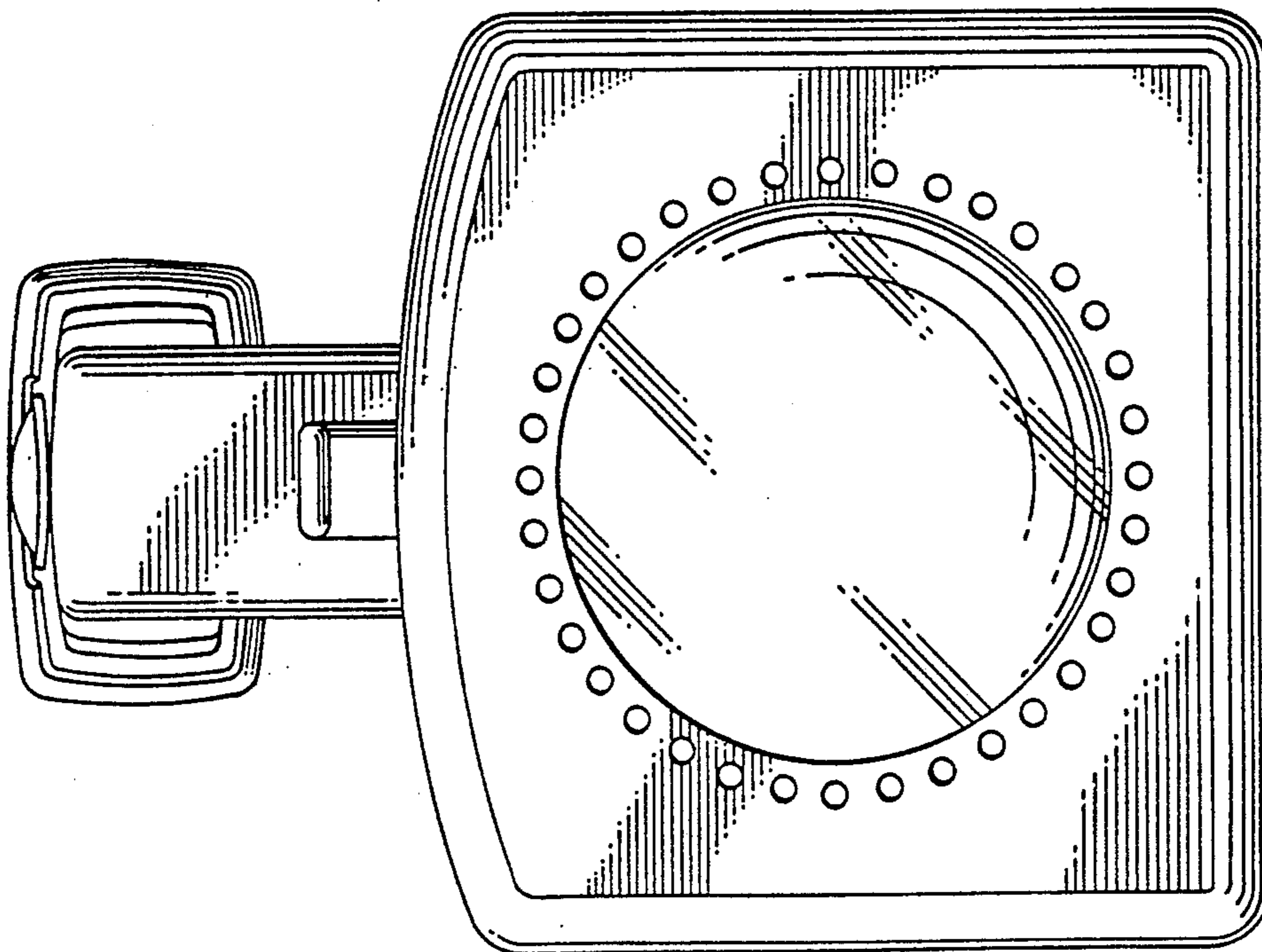


FIG. 3

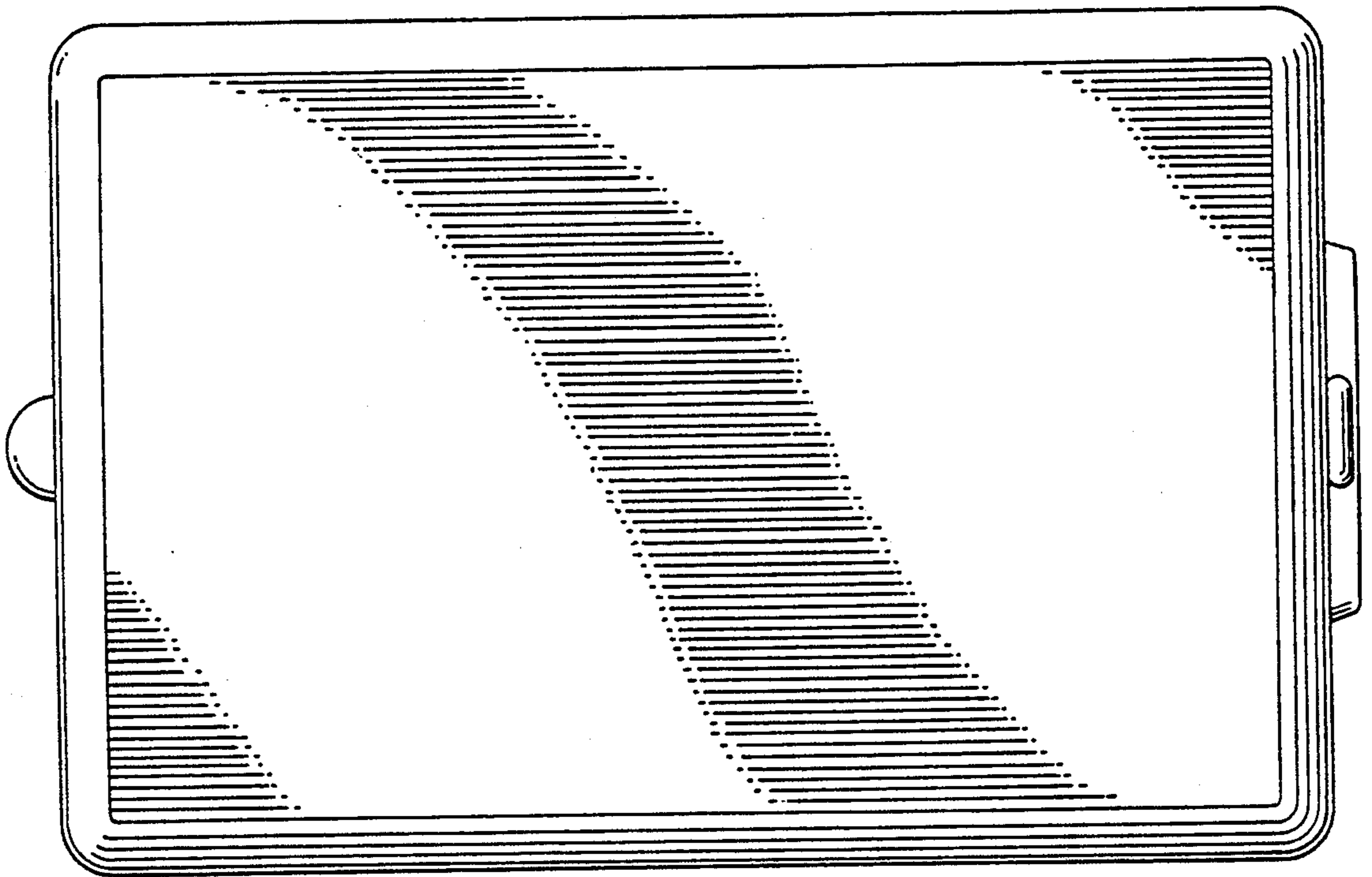


FIG. 5