



US00D323672S

# United States Patent [19]

[11] Patent Number: **Des. 323,672**

Schwarzwaelder

[45] Date of Patent: **\*\* Feb. 4, 1992**

[54] PEN

[76] Inventor: **Douglas C. Schwarzwaelder**, 1128 Thackary Ct., Voorhees, N.J. 08043

[\*\*] Term: **14 Years**

[21] Appl. No.: **337,035**

[22] Filed: **Apr. 12, 1989**

[52] U.S. Cl. .... **D19/41; D19/49; D19/54**

[58] Field of Search ..... **D19/35, 36, 41-51, D19/54-58, 81-85; 401/6, 7, 8**

### [56] References Cited

#### U.S. PATENT DOCUMENTS

D. 77,800	2/1929	Vedenburgh	.....	D19/49
D. 105,622	8/1937	Trollen	.....	D19/49
D. 119,263	3/1940	Harris	.....	D19/49
D. 141,530	6/1945	Williams	.....	D19/53
D. 141,531	6/1945	Williams	.....	D19/53
D. 177,468	4/1956	Frooks	.....	D19/51 X
D. 207,563	5/1967	Bailey, Jr.	.....	D19/36
D. 240,526	7/1976	Verona	.....	D19/51
D. 276,479	11/1984	Mori	.....	D19/36 X
3,168,072	2/1965	Nitta	.....	401/6
3,756,727	9/1973	Gallagher	.....	D19/35 X

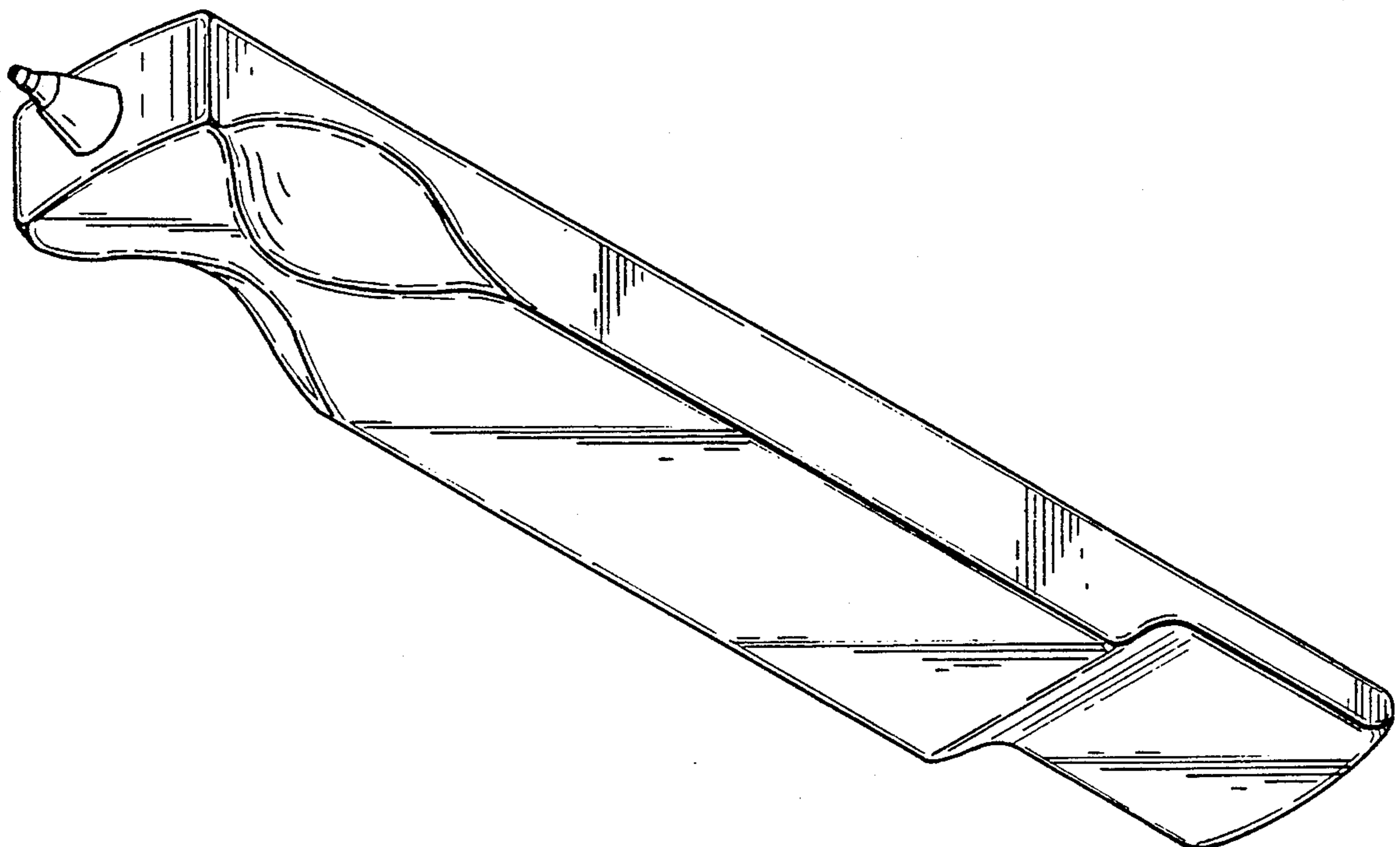
*Primary Examiner*—Bruce W. Dunkins  
*Assistant Examiner*—Martha Thompson  
*Attorney, Agent, or Firm*—Seidel, Gonda, Lavorgna & Monaco

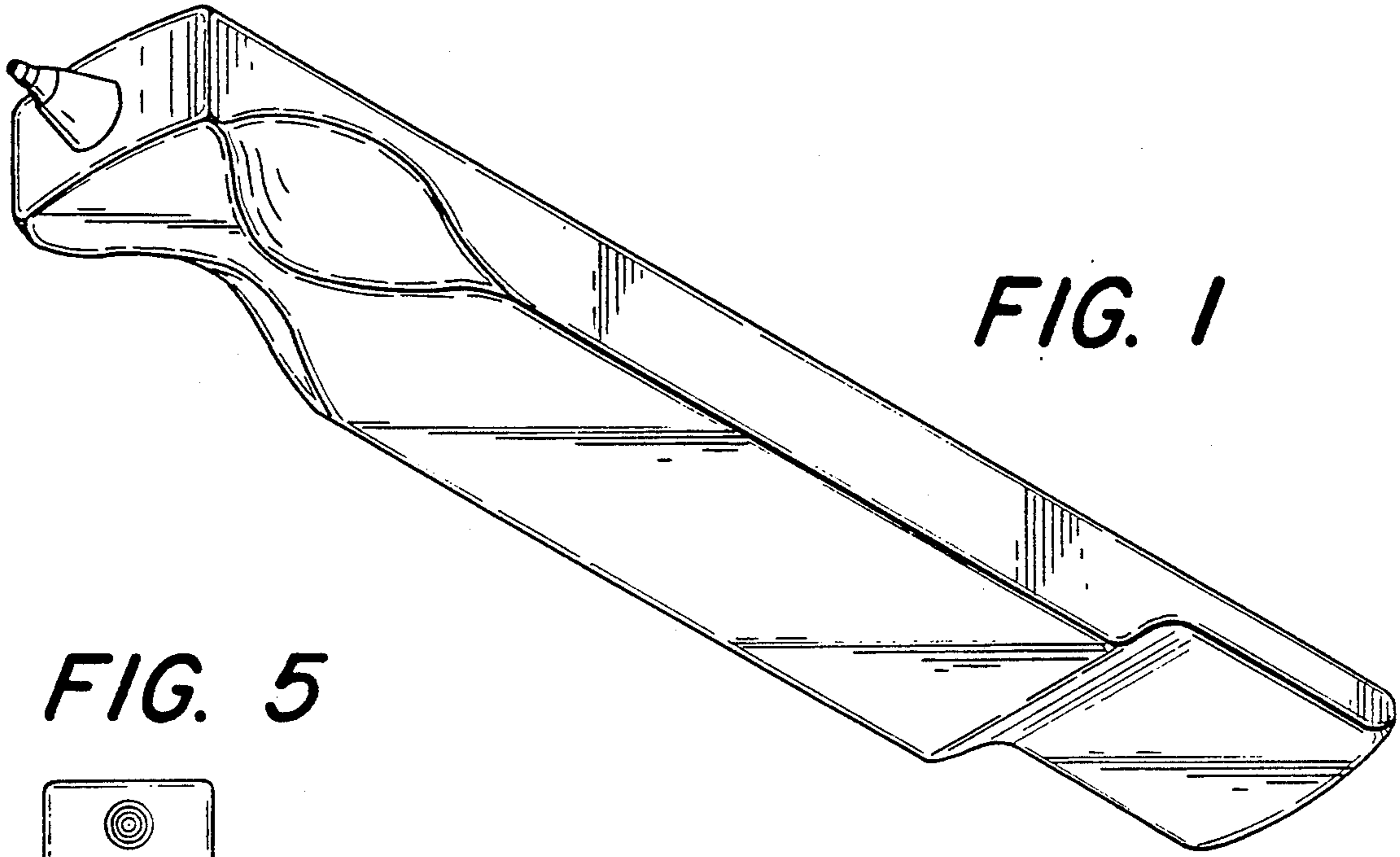
### [57] CLAIM

The ornamental design for a pen, as shown and described.

### DESCRIPTION

FIG. 1 is a bottom, left front perspective view of a pen showing my new design;  
 FIG. 2 is a right side elevational view on a reduced scale;  
 FIG. 3 is a rear elevational view of FIG. 2;  
 FIG. 4 is a front elevational view of FIG. 2;  
 FIG. 5 is a bottom plan view of FIG. 2;  
 FIG. 6 is a top plan view of FIG. 2;  
 FIG. 7 is a bottom, left front perspective view, drawn to the scale of FIG. 1, wherein the pen tip has been removed for convenience of illustration;  
 FIG. 8 is a right side elevational view of FIG. 7 on a reduced scale;  
 FIG. 9 is a rear elevational view of FIG. 8;  
 FIG. 10 is a front elevational view of FIG. 8;  
 FIG. 11 is a bottom plan view of FIG. 8; and  
 FIG. 12 is a top plan view of FIG. 8.



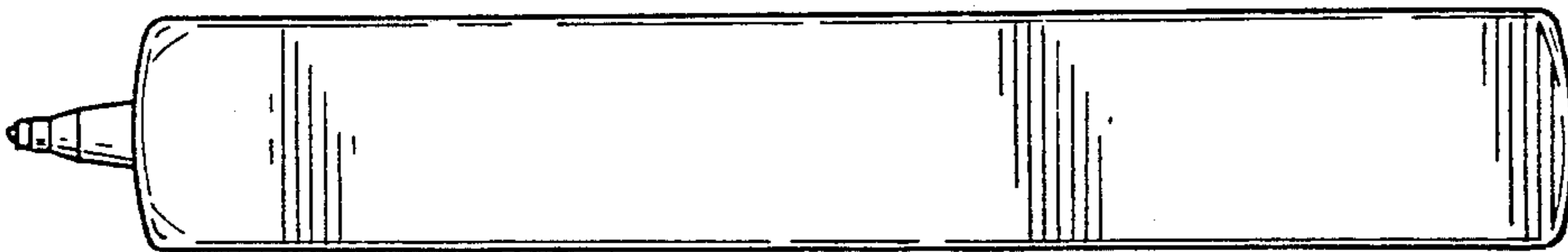


**FIG. 1**

**FIG. 5**

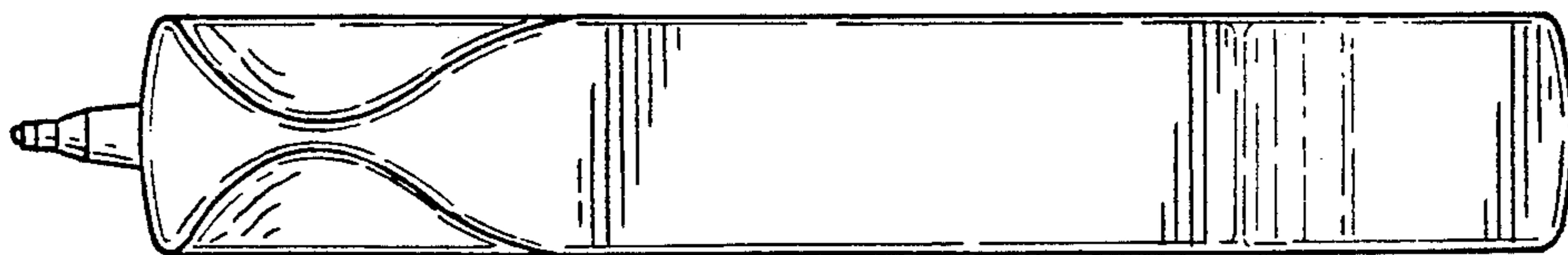
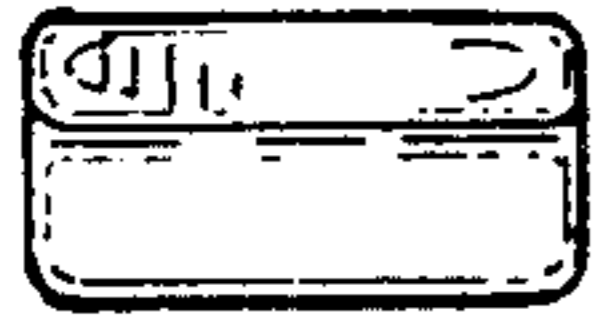


**FIG. 2**

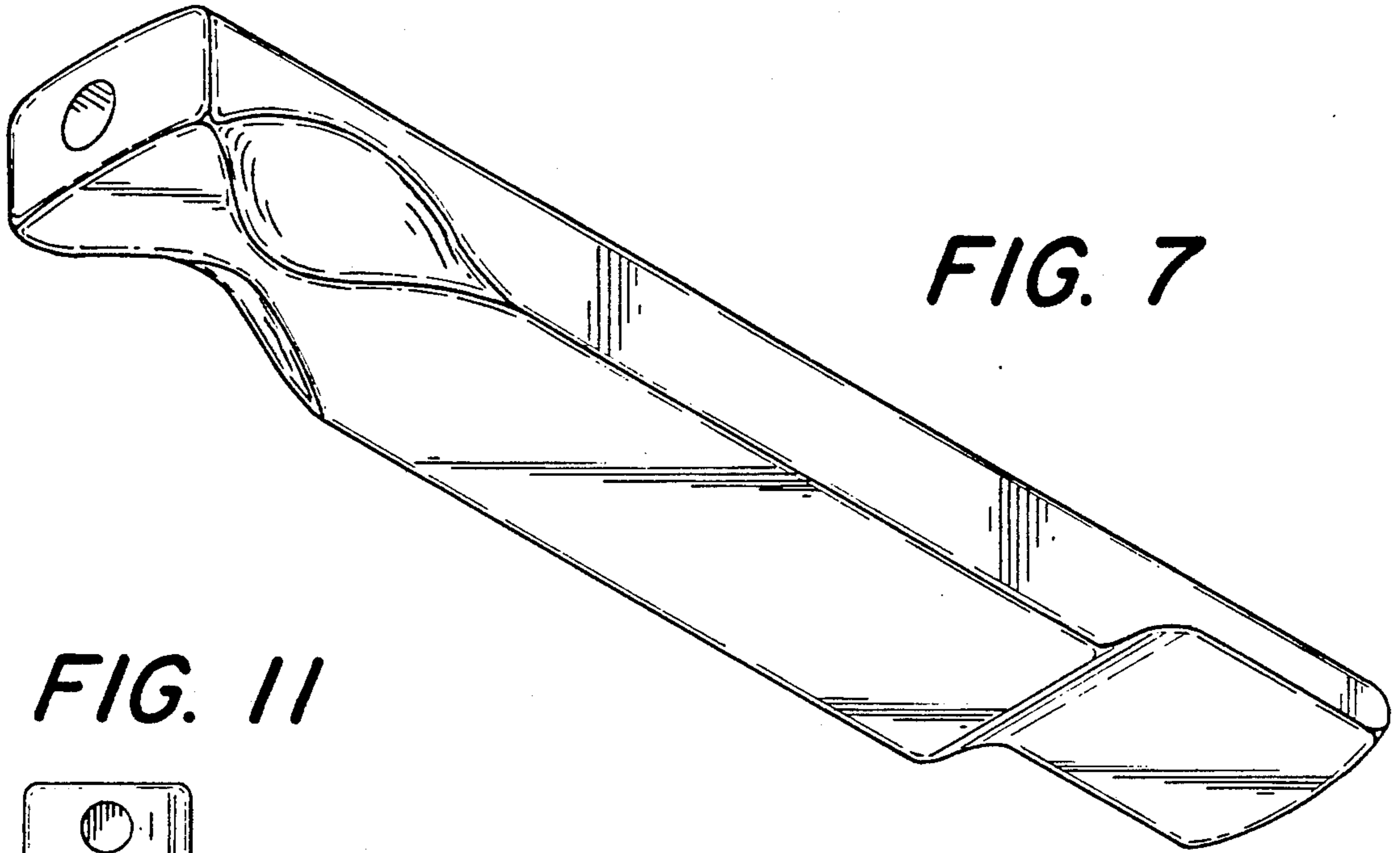


**FIG. 3**

**FIG. 6**



**FIG. 4**

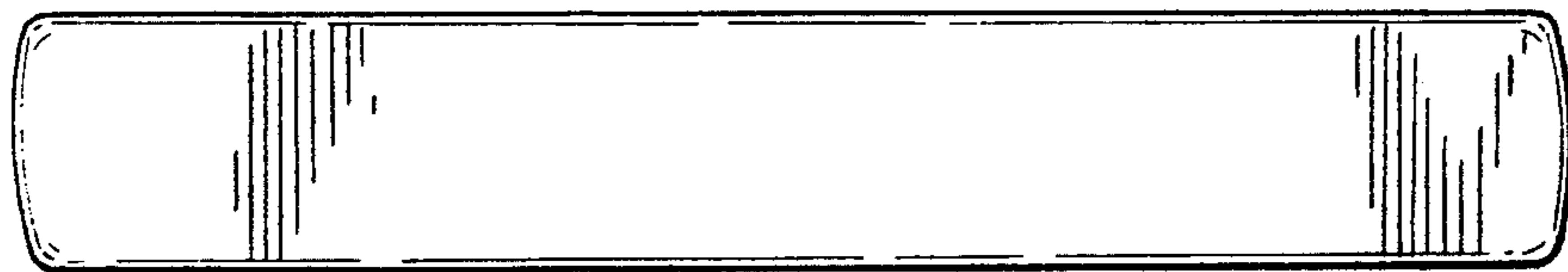
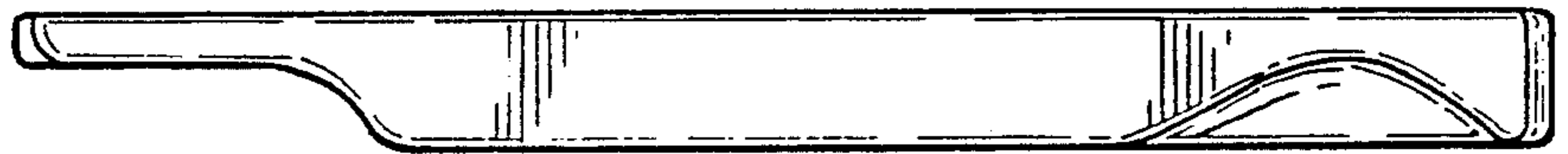


**FIG. 7**

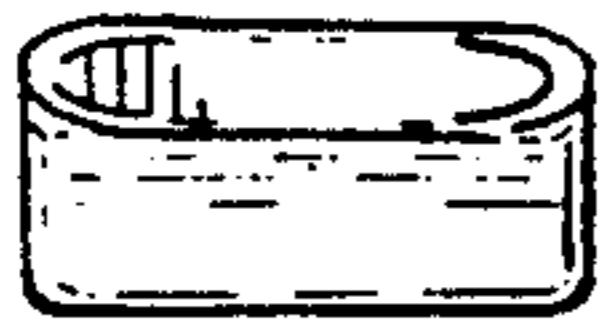
**FIG. 11**



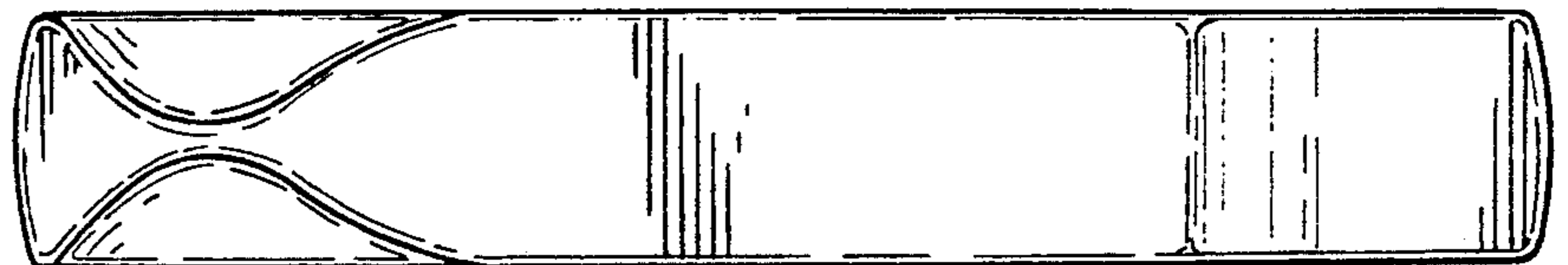
**FIG. 8**



**FIG. 9**



**FIG. 12**



**FIG. 10**