



US00D323670S

# United States Patent [19]

[11] Patent Number: **Des. 323,670**

Peersmann

[45] Date of Patent: **\*\* Feb. 4, 1992**

[54] **COMBINED POCKET CALCULATOR AND TELEPHONE DIRECTORY**

4,800,584 1/1989 Kitanishi ..... 40/371 X  
4,939,514 7/1990 Miyazaki ..... D18/7 X

[75] Inventor: **Richard Peersmann, Scheveningen, Netherlands**

*Primary Examiner*—Nelson C. Holtje  
*Assistant Examiner*—Caron D. Veynar  
*Attorney, Agent, or Firm*—Brooks Haidt Haffner & Delahunty

[73] Assignee: **Pollyflame International BV, Netherlands**

[\*\*] Term: **14 Years**

[21] Appl. No.: **460,257**

### [57] CLAIM

The ornamental design for a combined pocket calculator and telephone directory, as shown and described.

[22] Filed: **Jan. 2, 1990**

[52] U.S. Cl. .... **D18/2; D18/7**

[58] Field of Search ..... **D18/2, 6, 8; D19/76, D19/77, 83; 40/371, 382; 235/1 D, 1 R, 61 R, 145 R, 375, 379; 364/706-710**

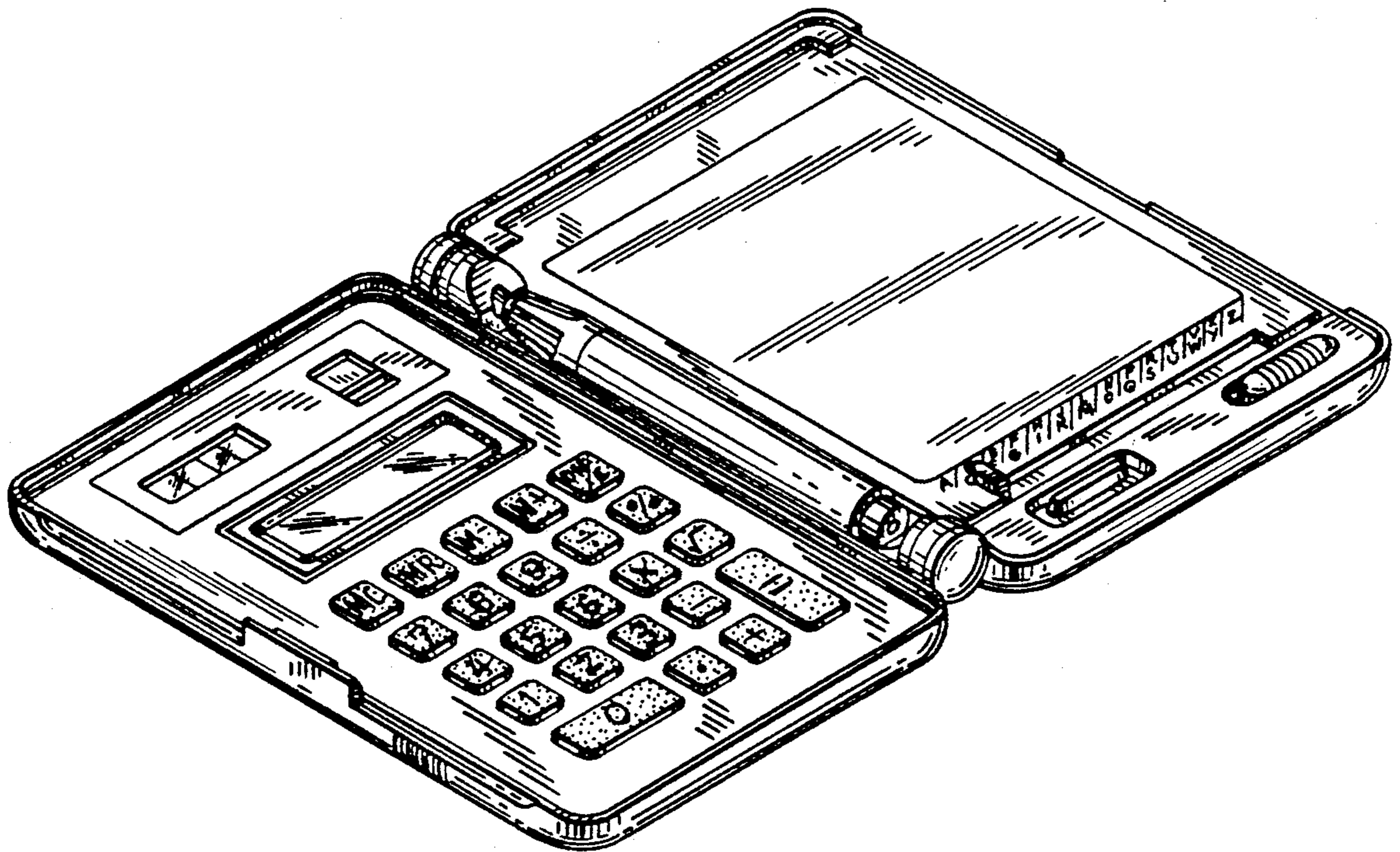
### DESCRIPTION

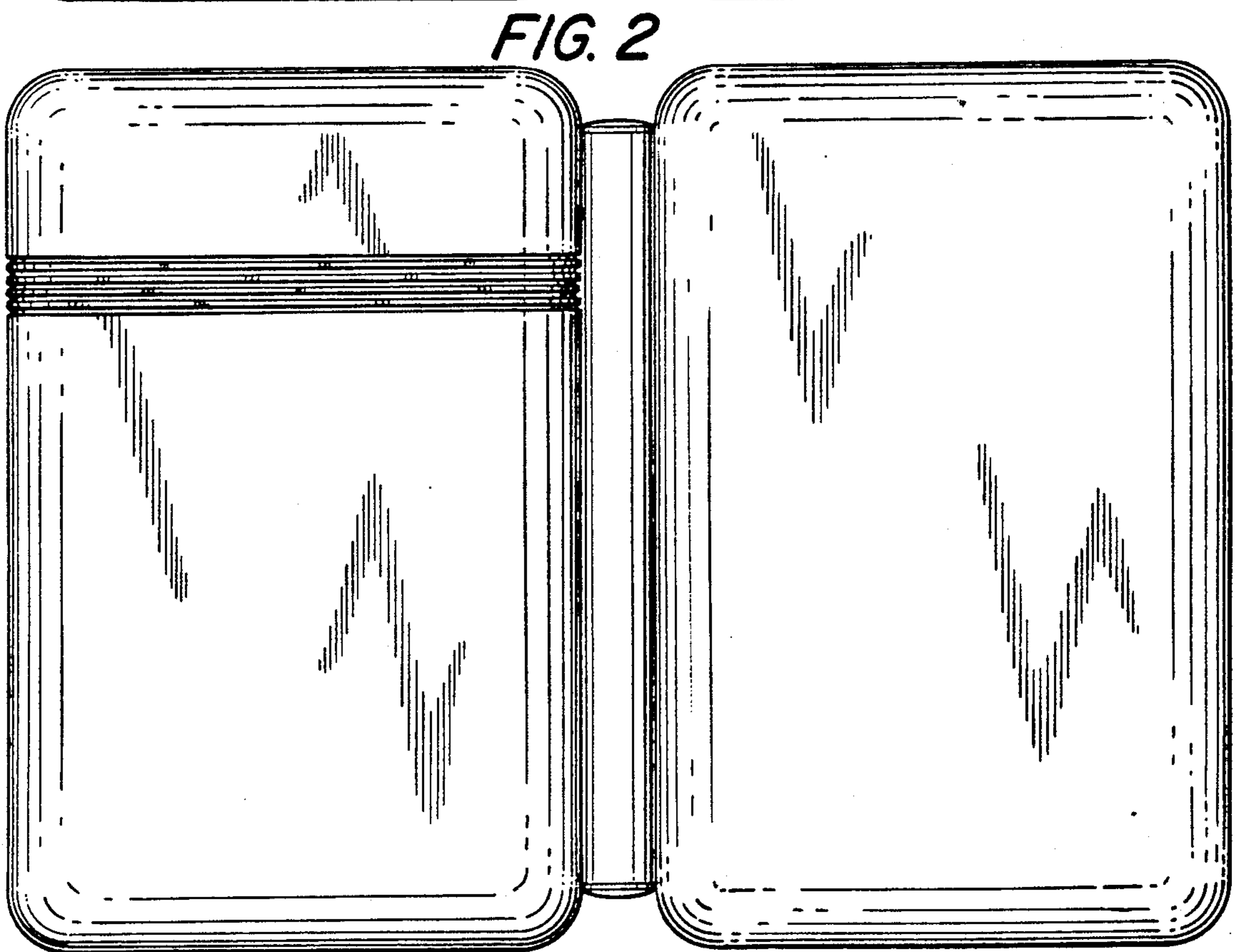
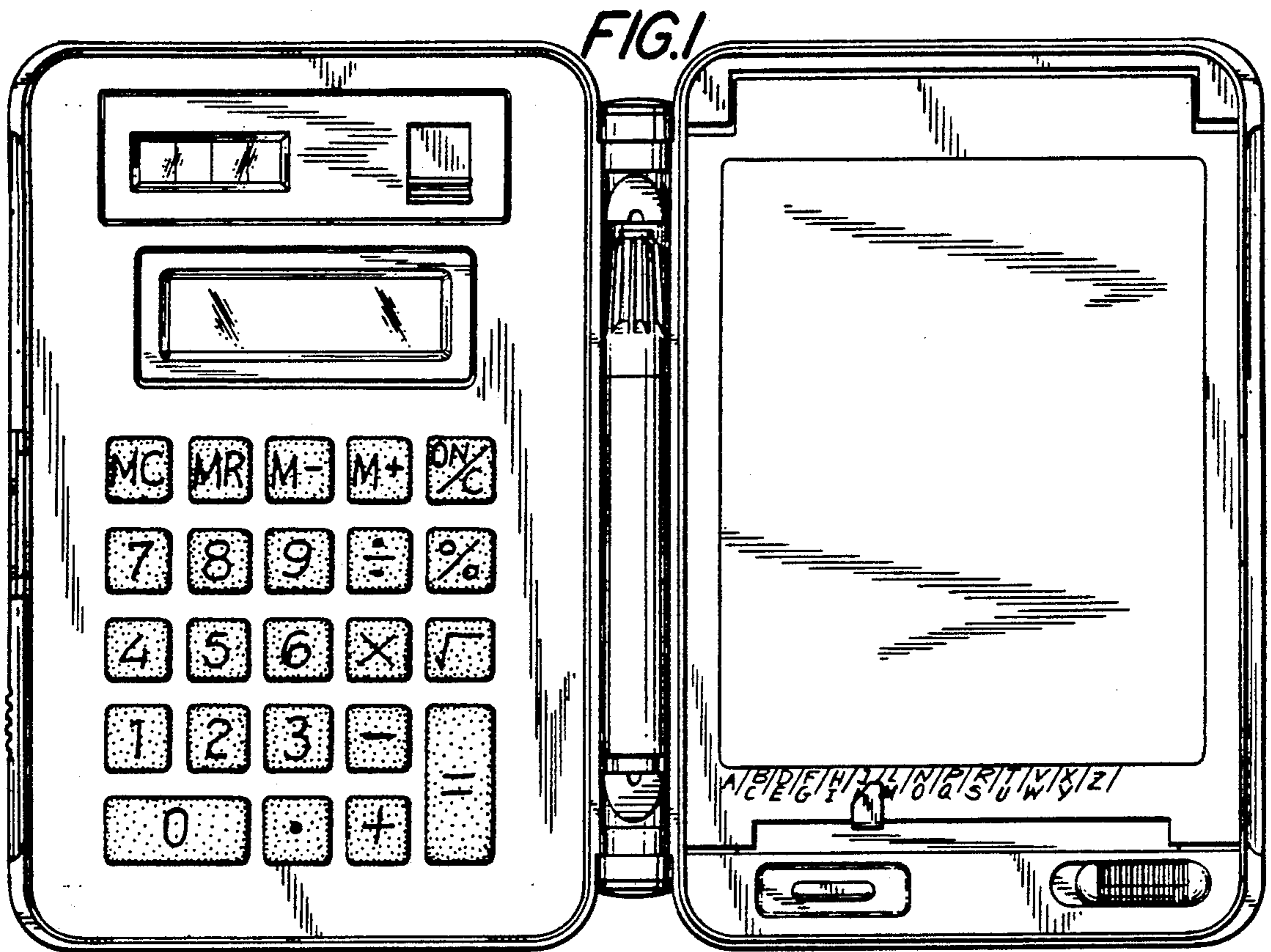
FIG. 1 is a top plan view of a combined pocket calculator and telephone directory in the open position showing my new design;  
FIG. 2 is a bottom plan view;  
FIG. 3 is a front elevational view;  
FIG. 4 is a rear elevational view;  
FIG. 5 is a left side elevational view;  
FIG. 6 is a right side elevational view;  
FIG. 7 is a left, front and top perspective view;  
FIG. 8 is a perspective view in the closed position;  
FIG. 9 is a perspective view in the open position with the telephone directory in the open position; and  
FIG. 10 is a perspective view in the open position with the display in a raised position.

### [56] References Cited

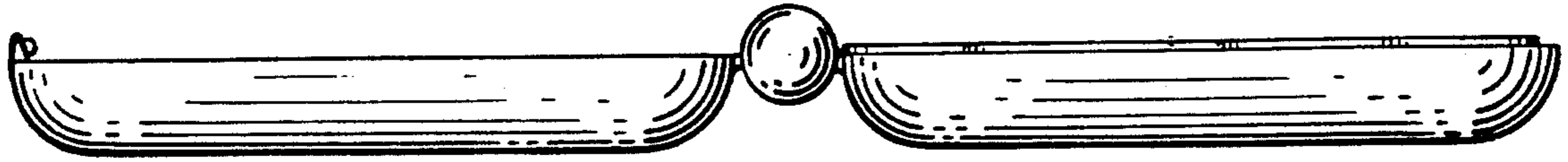
#### U.S. PATENT DOCUMENTS

D. 155,026	8/1949	Nein	.....	D19/76
D. 198,957	8/1964	Hegemann	.....	D19/76
D. 248,994	8/1978	Ikeda	.....	D18/7
D. 258,891	4/1981	Kitai et al.	.....	D18/7
D. 300,227	3/1989	Noguchi	.....	D18/2
D. 314,213	1/1991	Bishop	.....	D3/30.1 X
3,987,565	10/1976	Mori	.....	D19/76 X
4,275,887	6/1981	Tateyama	.....	40/372 X

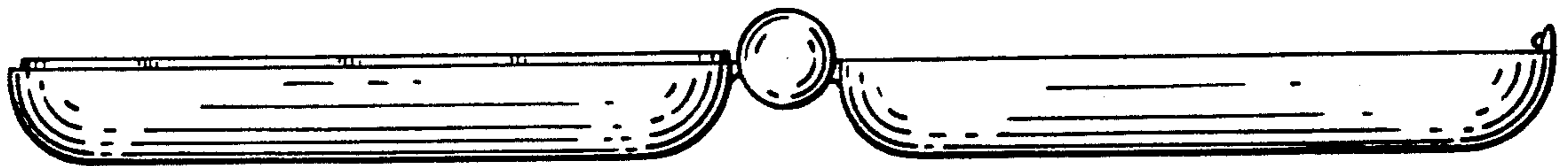




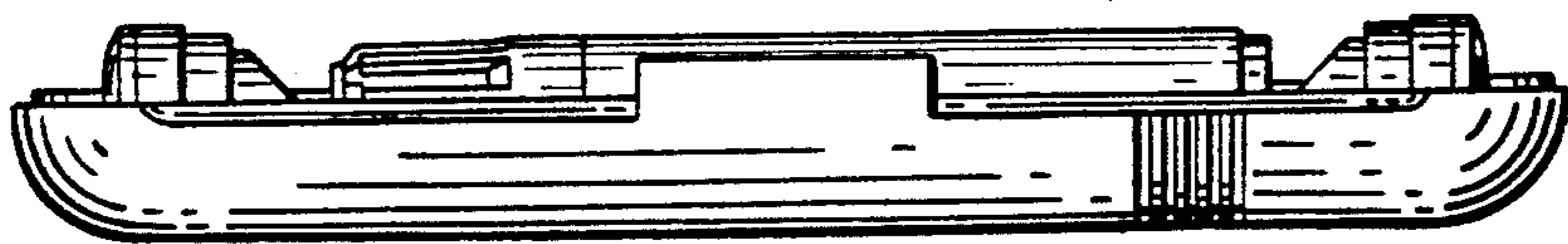
*FIG. 3*



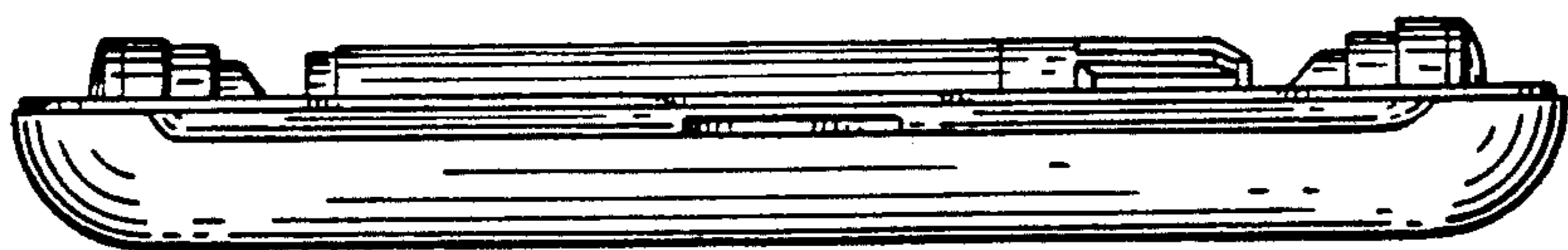
*FIG. 4*



*FIG. 5*



*FIG. 6*



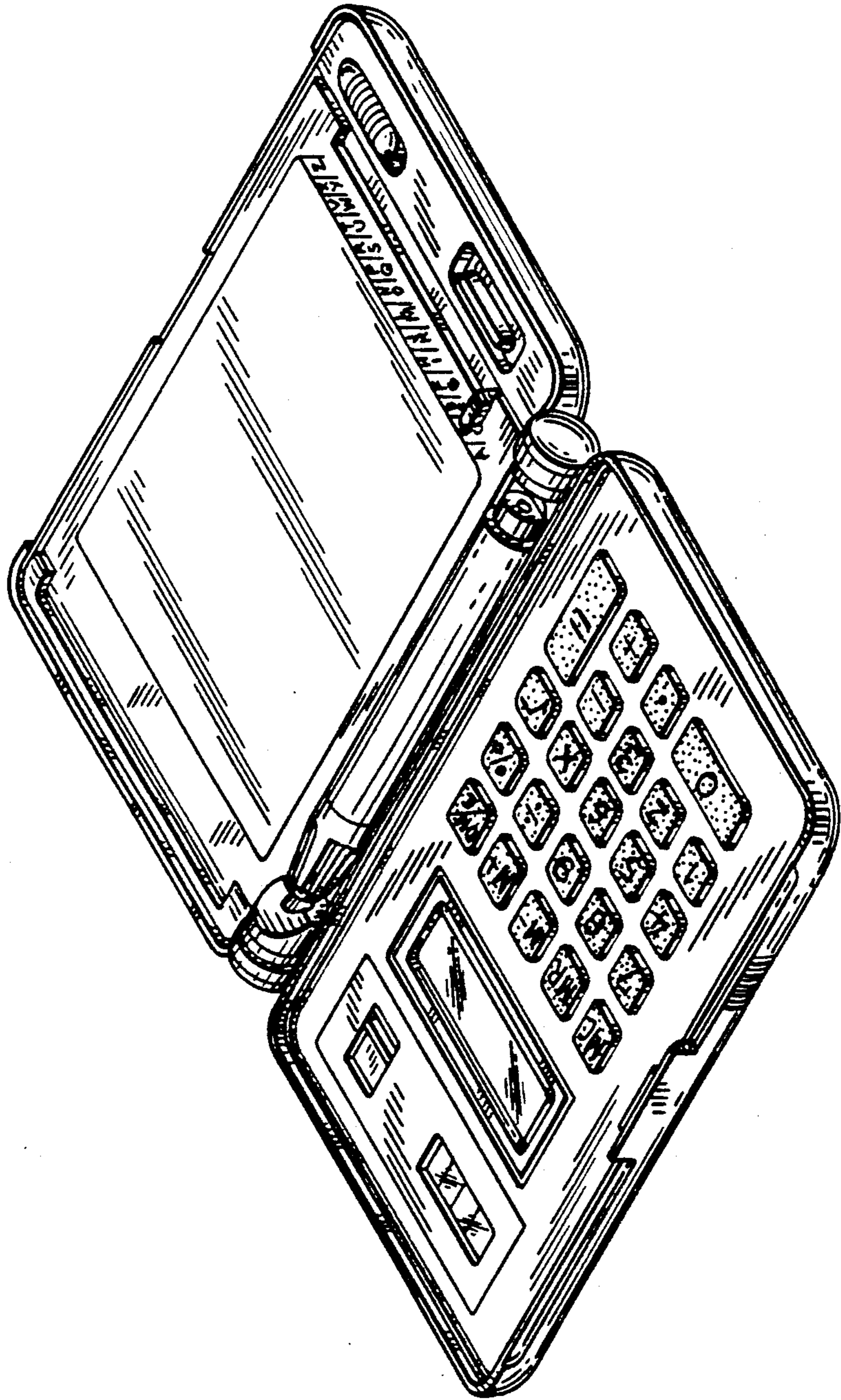
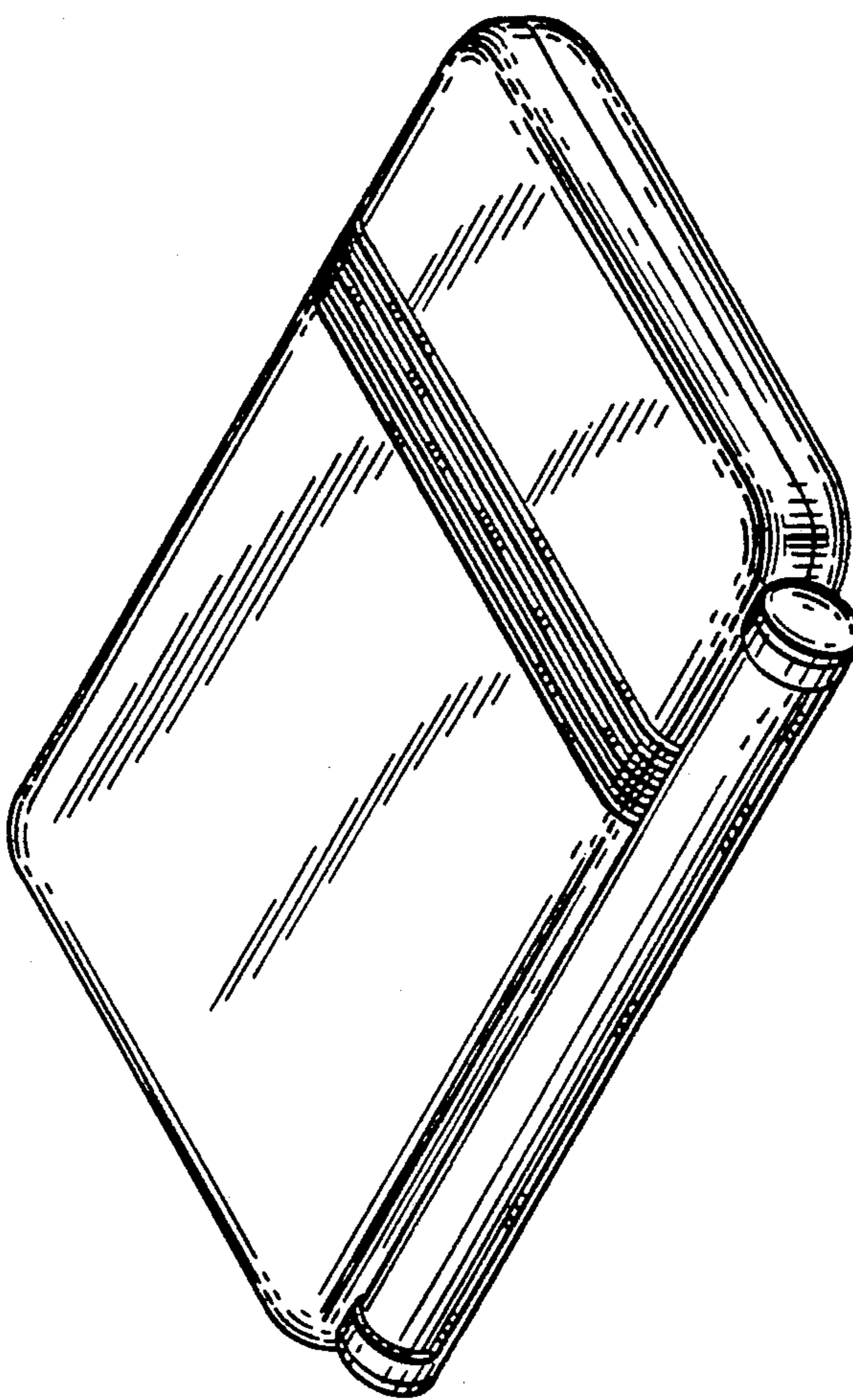


FIG. 7

*FIG. 8*



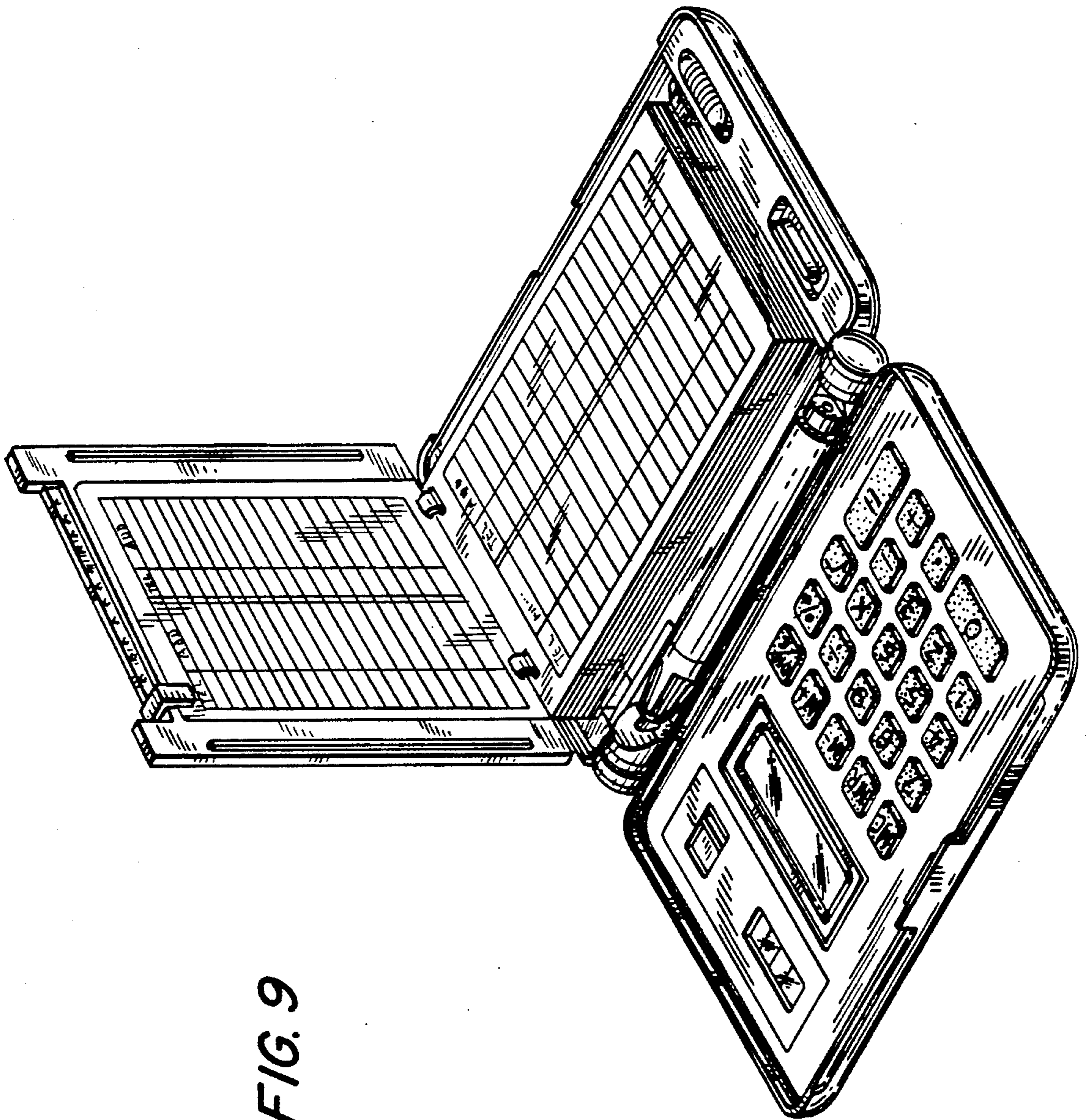


FIG. 9

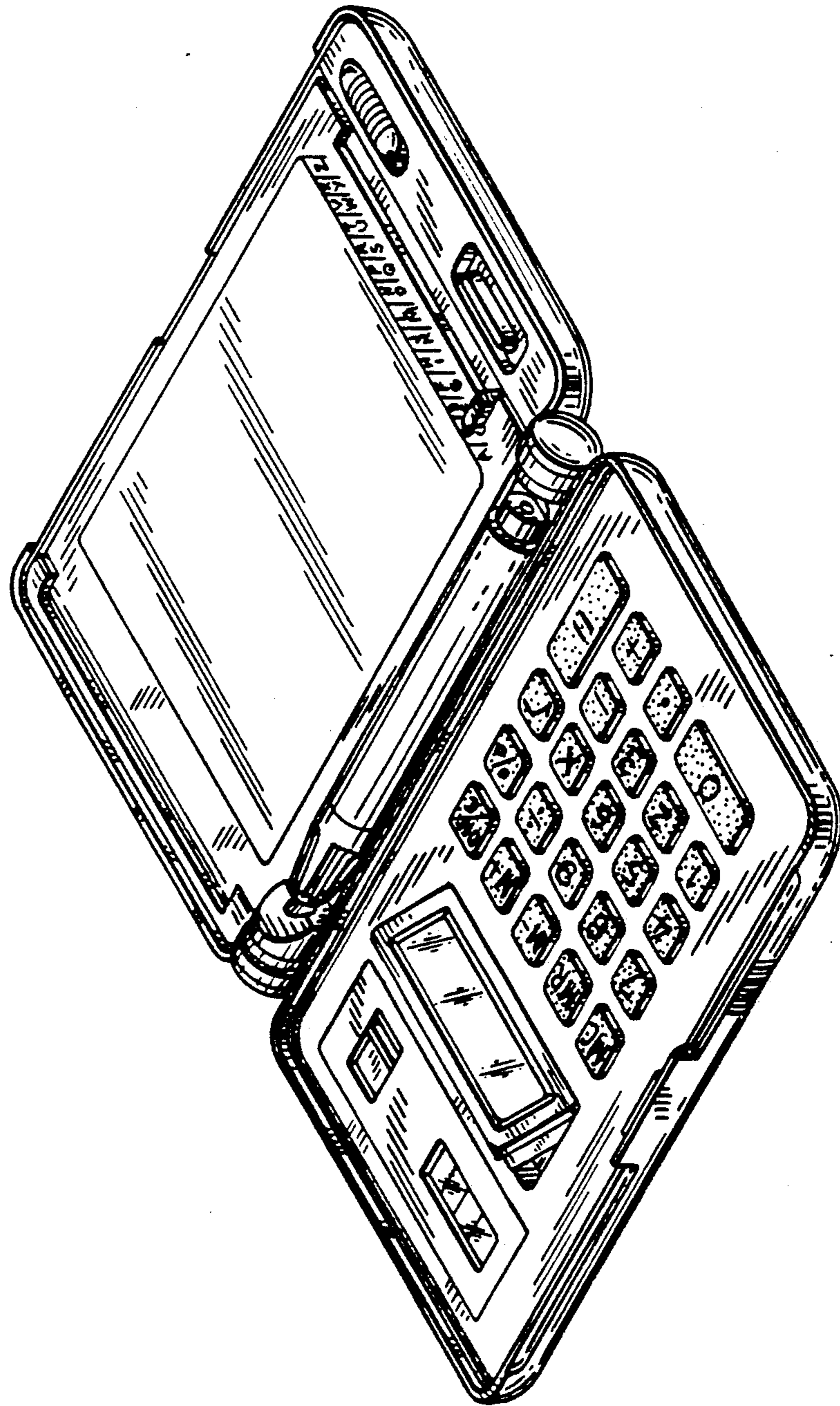


FIG. 10