



US00D323662S

United States Patent [19]

[11] Patent Number: **Des. 323,662**

Sapp

[45] Date of Patent: **** Feb. 4, 1992**

[54] **AIR DRYER FOR A CAR WASH**

[76] Inventor: **John W. A. Sapp**, 6517 Banner Lake Cir., Orlando, Fla. 32821

[**] Term: **14 Years**

[21] Appl. No.: **386,686**

[22] Filed: **Jul. 31, 1989**

[52] U.S. Cl. **D15/199; D25/127**

[58] Field of Search **D15/199; D25/127; 15/312.1, 316.1, 319, DIG. 2, DIG. 7; 34/229, 243 C**

4,288,255 9/1981 Burger 15/DIG. 2 X
 4,335,526 6/1982 Smith 38/229
 4,393,602 7/1983 Smith 15/316.1 X
 4,662,086 5/1987 Hennecke et al. 34/229

Primary Examiner—Bruce W. Dunkins
Assistant Examiner—Antoine D. Davis
Attorney, Agent, or Firm—Duckworth, Allen, Dyer & Doppelt

[57] CLAIM

The ornamental design for an air dryer for a car wash, as shown and described.

DESCRIPTION

FIG. 1 is a top, front and left side perspective view of an air dryer for a car wash showing my new design;
 FIG. 2 is a front elevational view;
 FIG. 3 is a rear elevational view;
 FIG. 4 is a top plan view;
 FIG. 5 is a bottom plan view; and
 FIG. 6 is a right side elevational view thereof.

[56] References Cited

U.S. PATENT DOCUMENTS

D. 225,488 12/1972 Jones D25/127 X
 3,570,042 3/1971 Solomon 34/729 X
 3,798,696 3/1974 Cirino 15/DIG. 2 X
 4,021,877 5/1977 Miner 15/DIG. 2 X
 4,057,866 11/1977 Belanger 15/DIG. 2 X

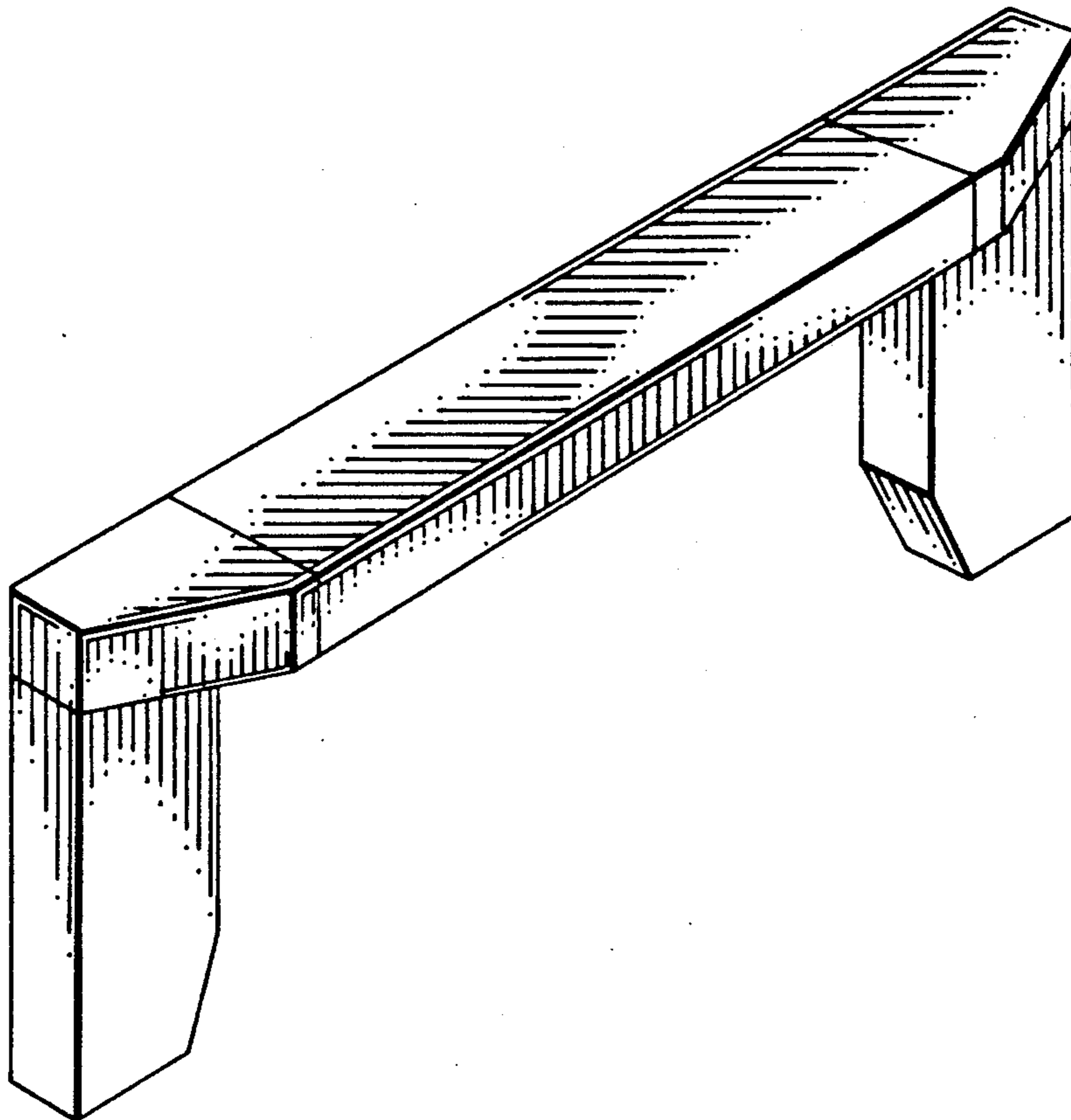


FIG. 1

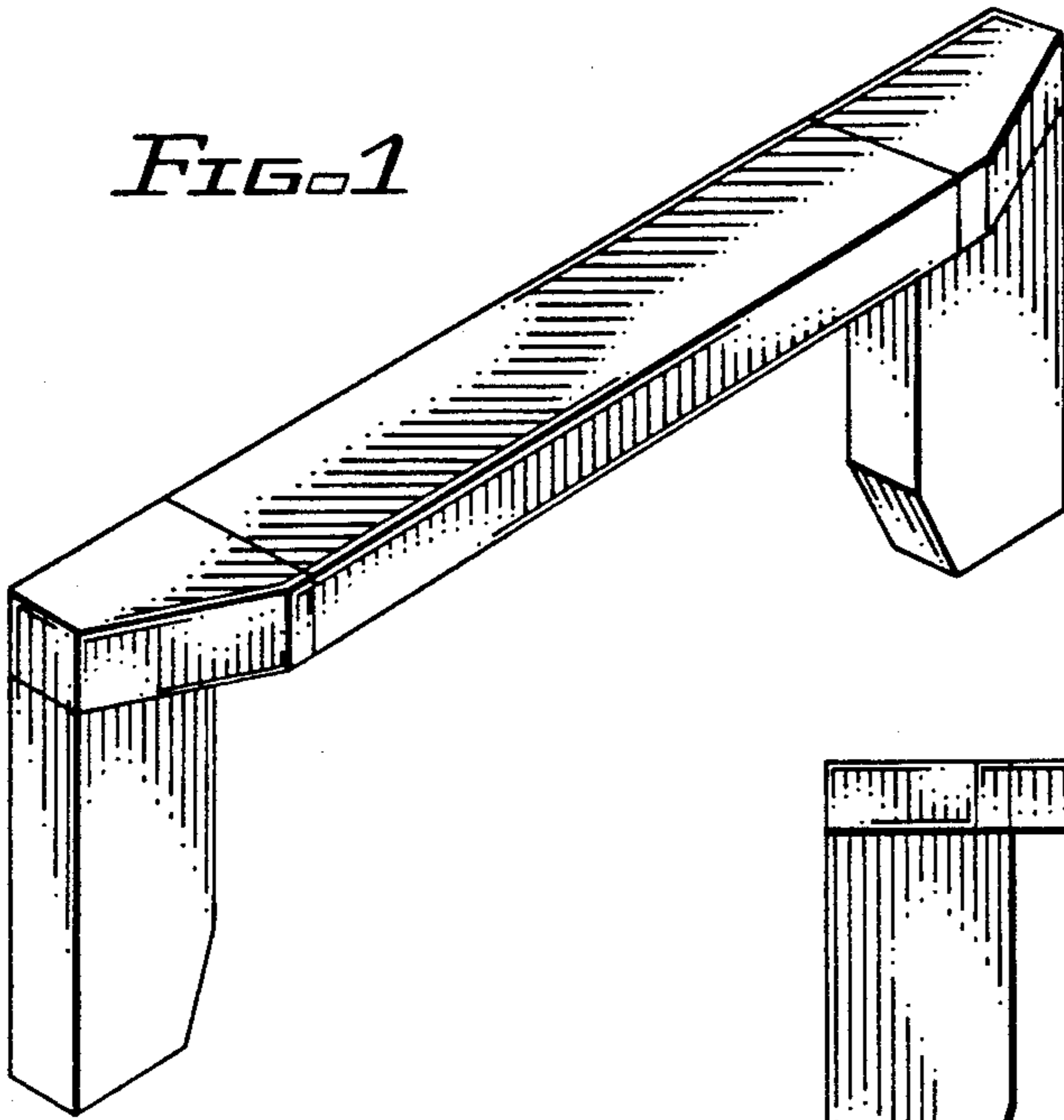


FIG. 2

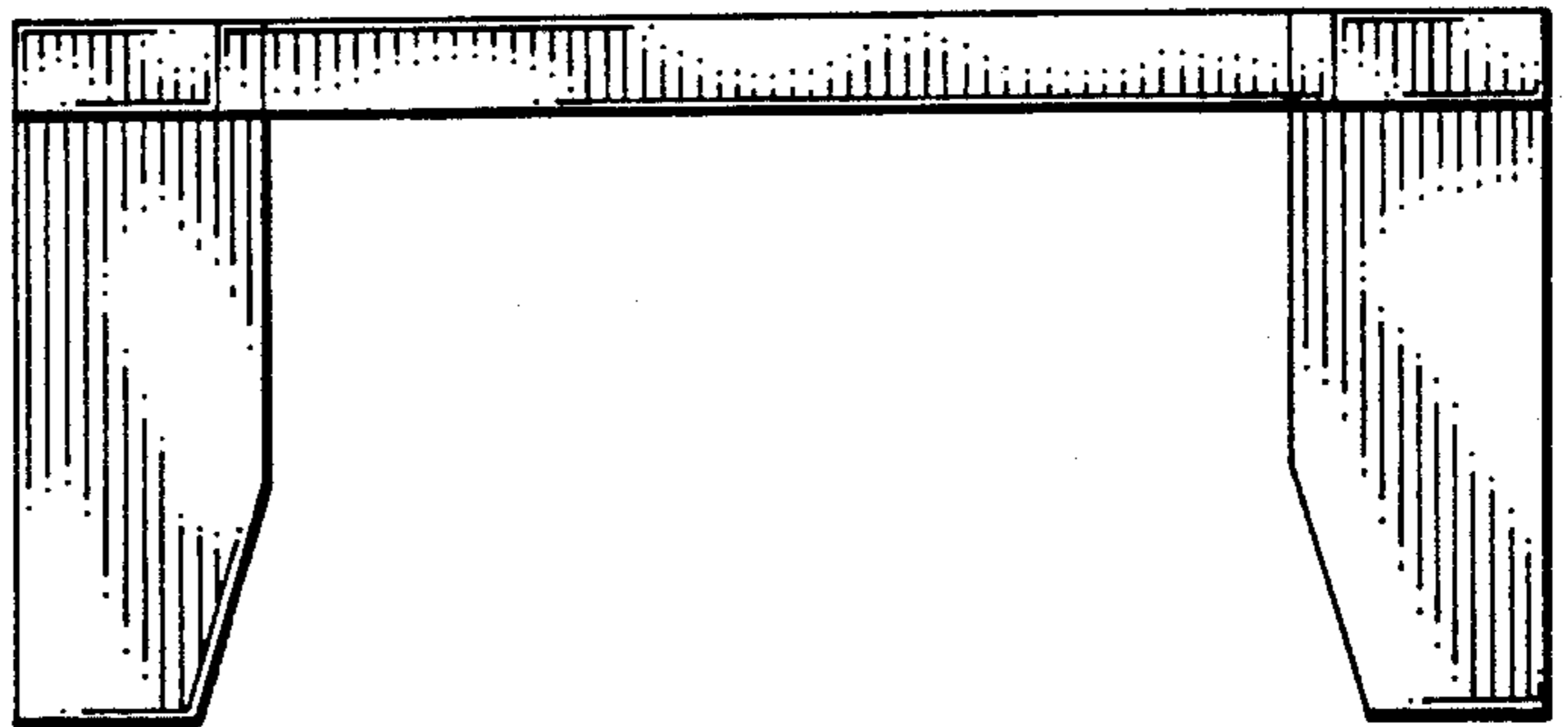


FIG. 3

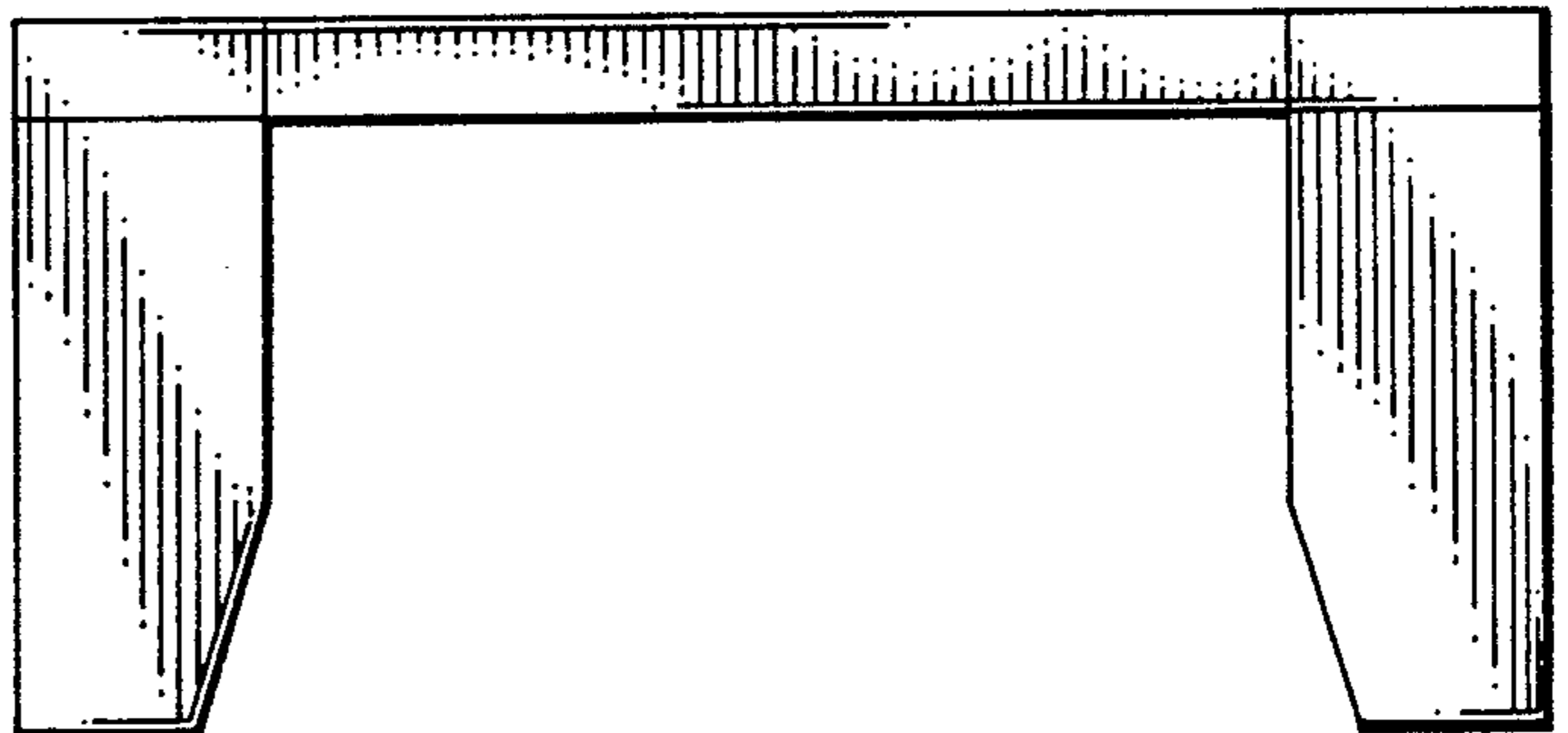


FIG. 4

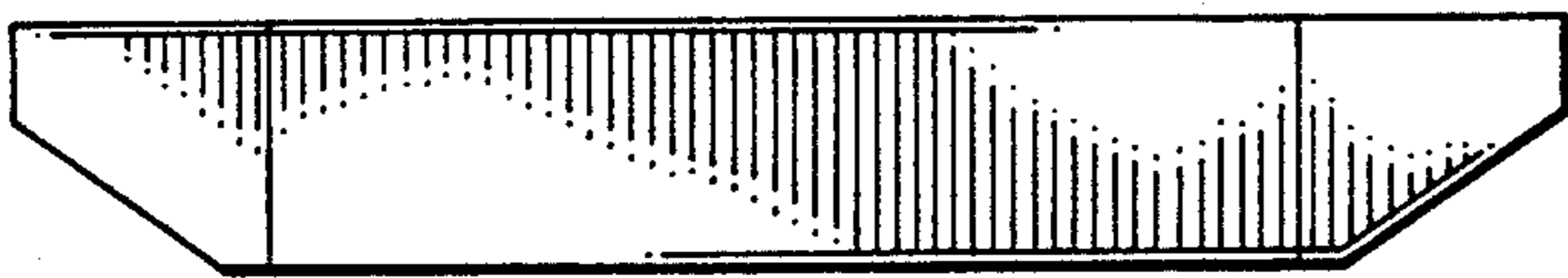


FIG. 5

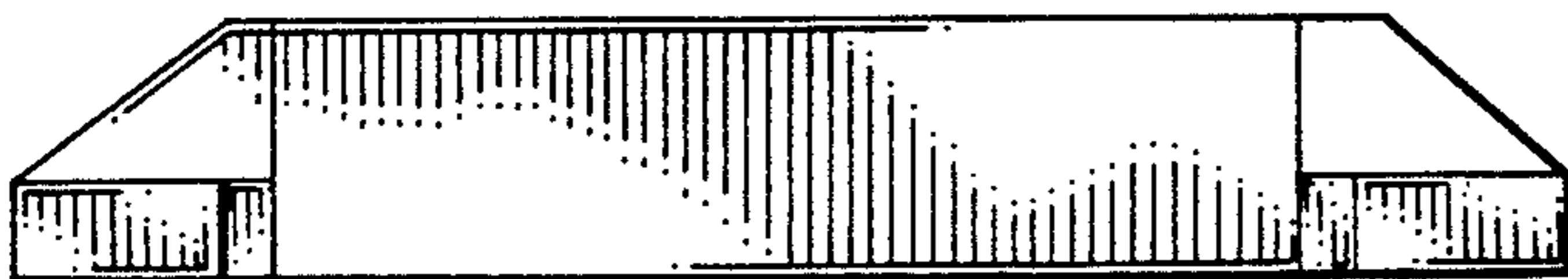


FIG. 6

