



US00D323661S

United States Patent [19]

Zwicker

[11] Patent Number: **Des. 323,661**

[45] Date of Patent: **** Feb. 4, 1992**

[54] **SANDBLASTING CABINET**

[75] Inventor: **Fred Zwicker, Canfield, Ohio**

[73] Assignee: **Skat Blast, Canfield, Ohio**

[**] Term: **14 Years**

[21] Appl. No.: **393,759**

[22] Filed: **Aug. 14, 1989**

[52] U.S. Cl. **D15/124**

[58] Field of Search **D15/124, 125; 51/410, 51/426, 438**

2,321,774 6/1943 Rulmelin 51/426 X

3,599,375 8/1971 Nunemaker 51/426

4,084,357 4/1978 Moses 51/426 X

4,098,033 7/1978 Mann 51/426

4,505,077 3/1985 Sheesley et al. 51/426 X

Primary Examiner—Bruce W. Dunkins
Assistant Examiner—Antoine D. Davis
Attorney, Agent, or Firm—Harpman & Harpman

[57] CLAIM

The ornamental design for a sandblasting cabinet, as shown and described.

[56] References Cited

U.S. PATENT DOCUMENTS

D. 246,108 10/1977 Ashworth D15/124

D. 250,196 11/1978 Caccioli et al. D15/124

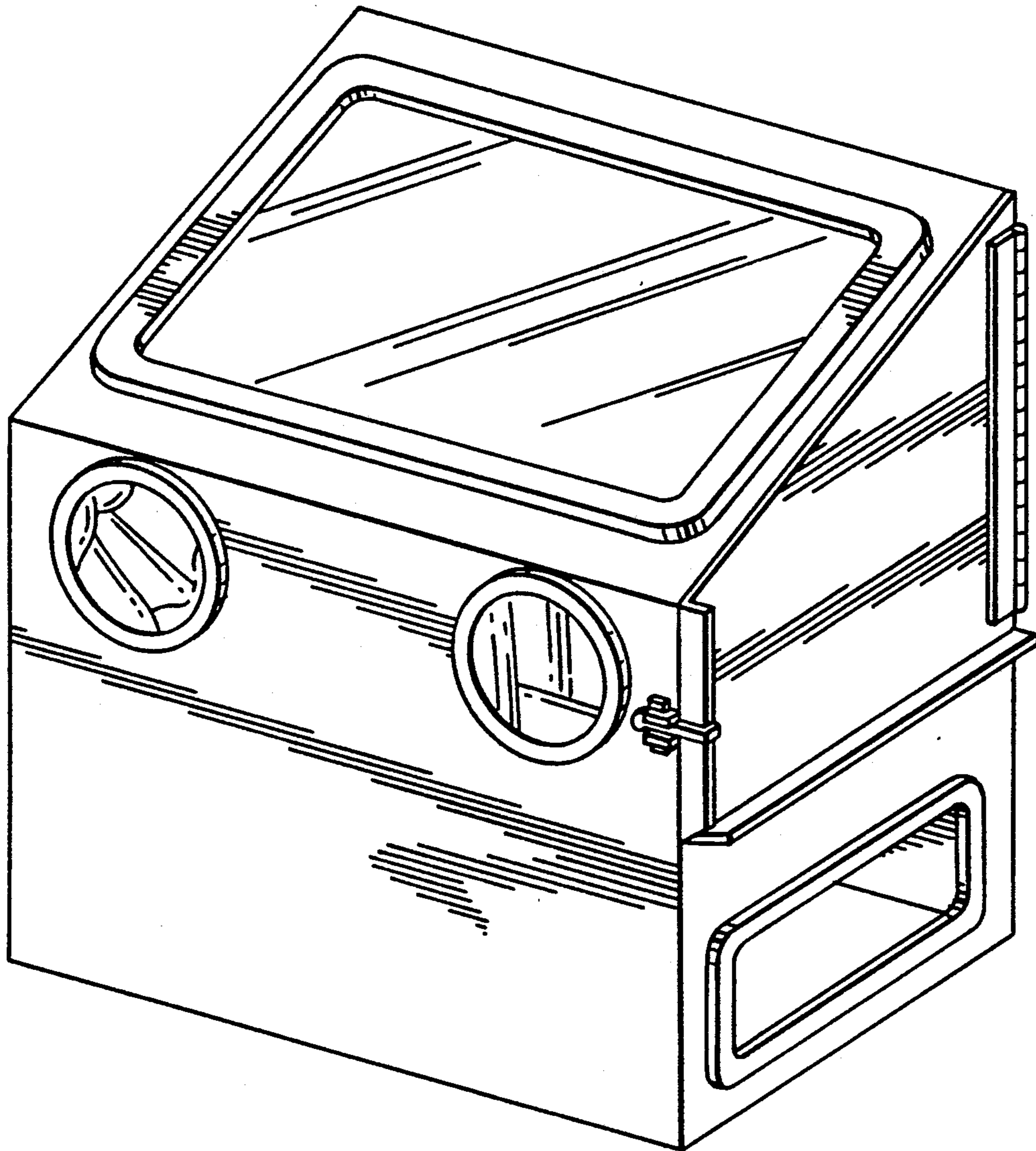
D. 252,349 7/1979 Ashworth D15/124

D. 263,596 3/1982 Thomson D15/124

D. 272,309 1/1984 Walser D15/124 X

DESCRIPTION

FIG. 1 is a top, front and right side perspective view of a sandblasting cabinet showing my new design;
 FIG. 2 is a right side elevational view;
 FIG. 3 is a left side elevational view;
 FIG. 4 is a bottom plan view; and
 FIG. 5 is a rear elevational view thereof.



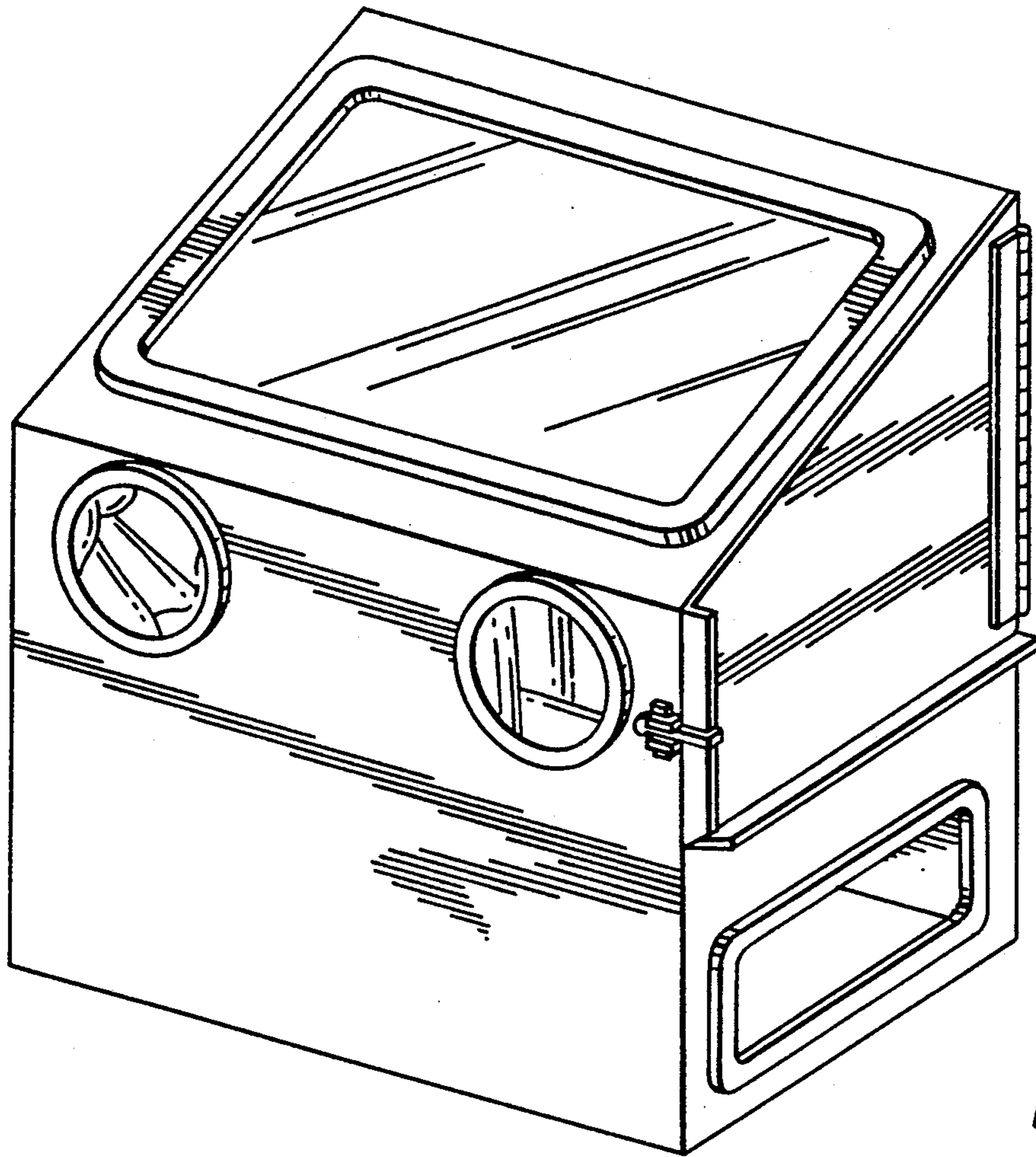


FIG. 1

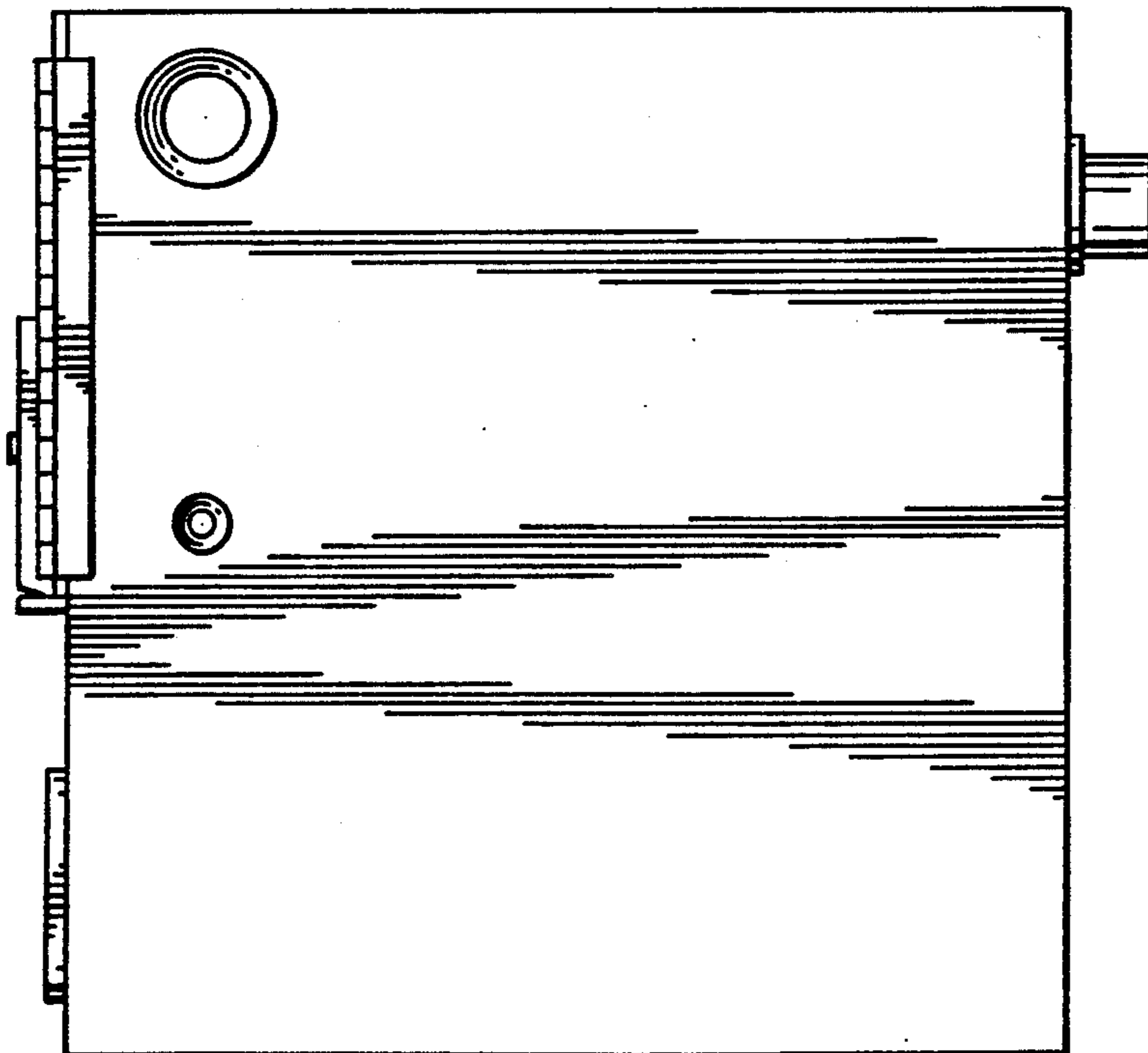


FIG. 5

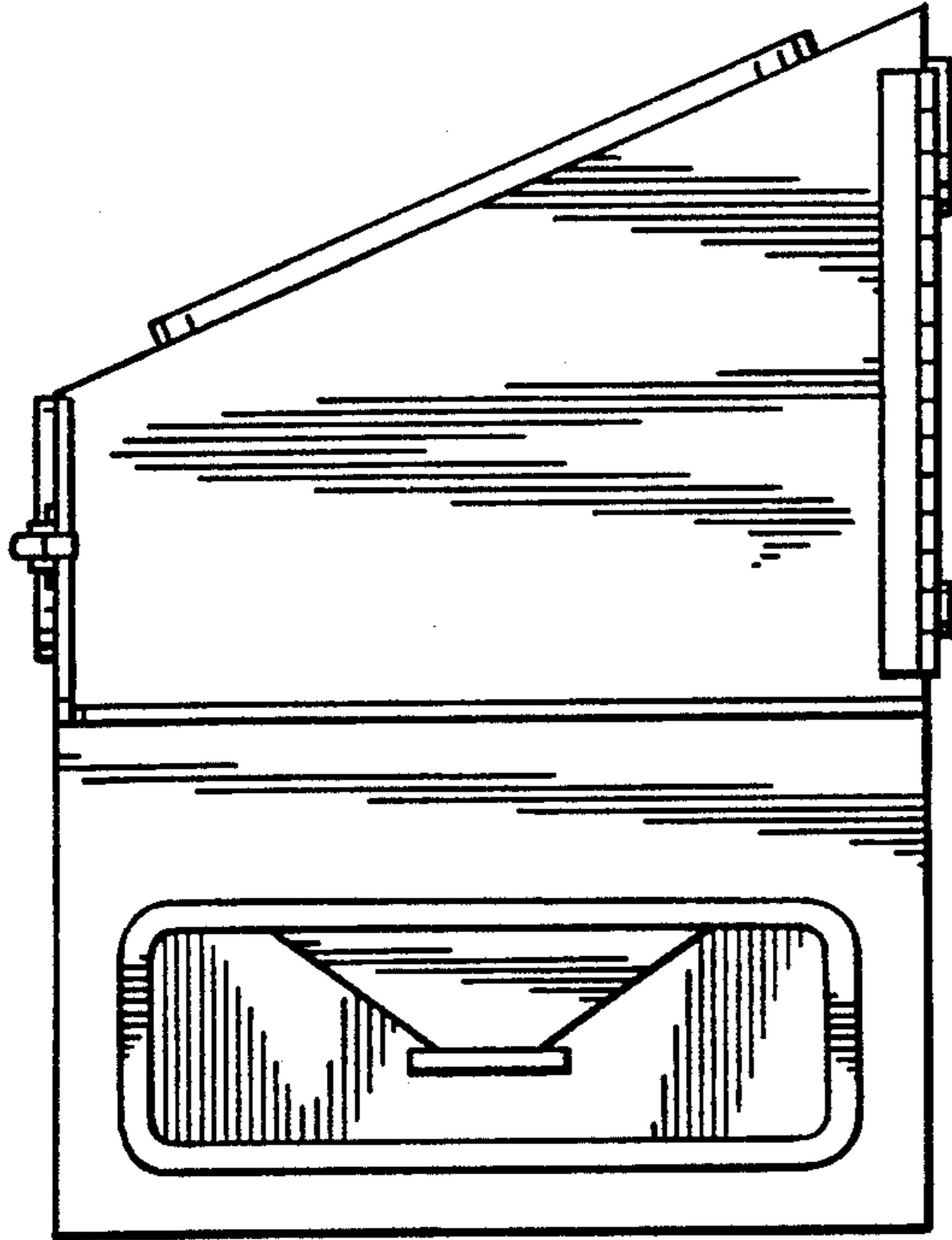


FIG. 2

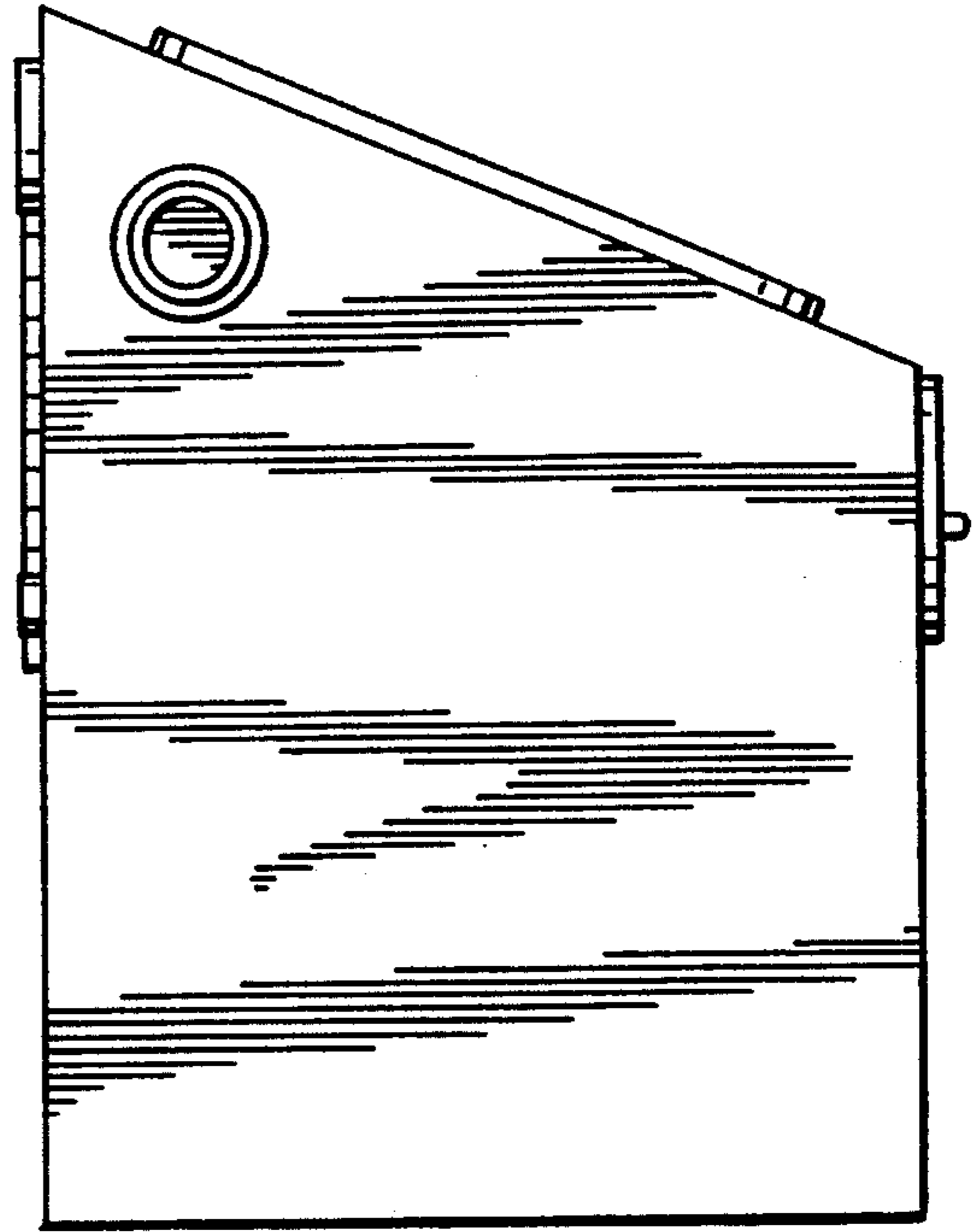


FIG. 3

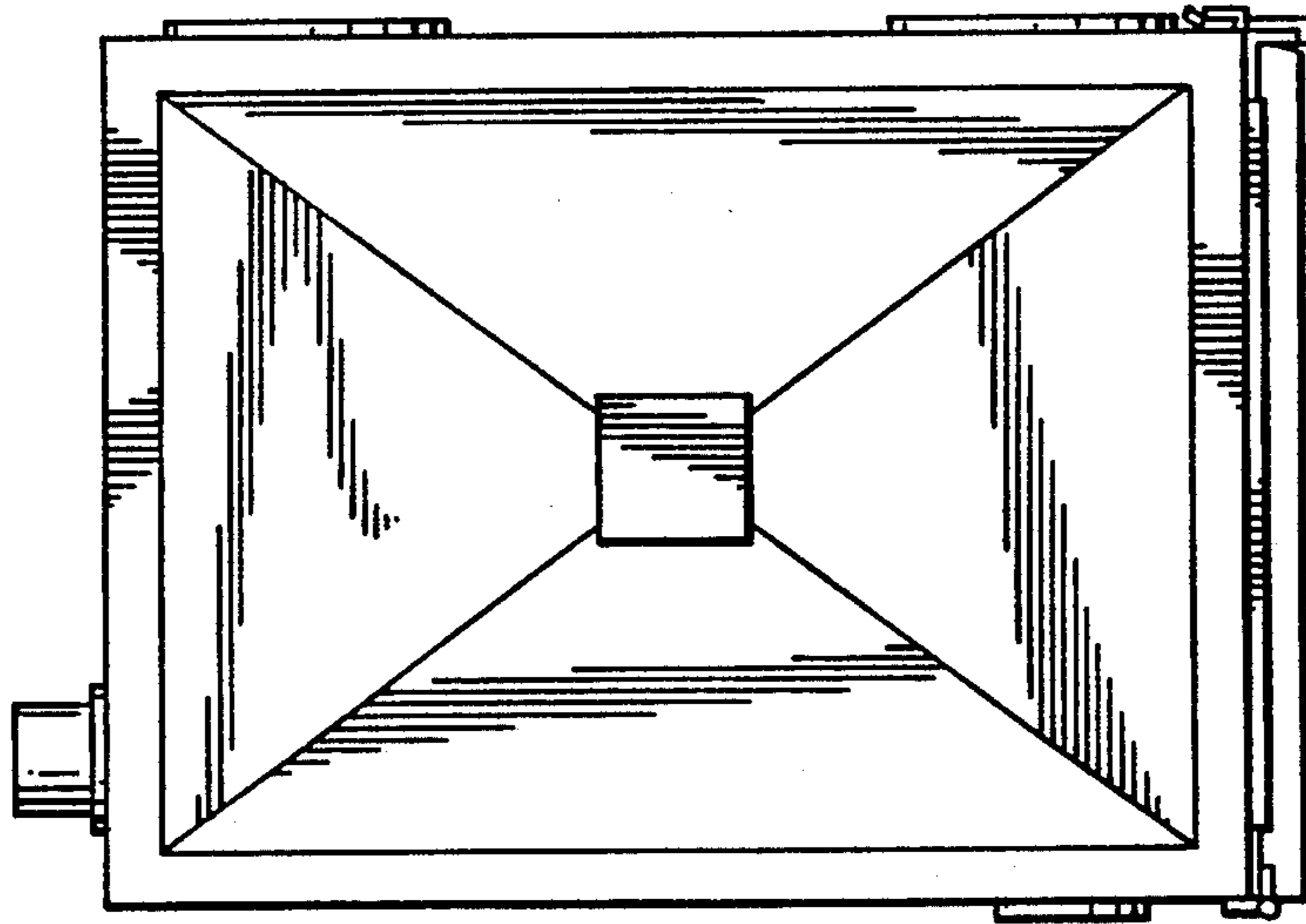


FIG. 4