



US00D323660S

United States Patent [19]

Bolduc et al.

[11] Patent Number: **Des. 323,660**

[45] Date of Patent: **** Feb. 4, 1992**

[54] EXCAVATOR BLADE

[76] Inventors: **Elizabeth Bolduc; Sheldon Bolduc,**
both of Box 118, R.R. #1, Cardiff
Echoes, Morinville, Alberta T0G
1P0, Canada

[**] Term: **14 Years**

[21] Appl. No.: **506,382**

[22] Filed: **Apr. 9, 1990**

[30] **Foreign Application Priority Data**

Feb. 6, 1990 [CA] Canada 06-02-90-9
[52] U.S. Cl. **D15/32**
[58] Field of Search **D15/10, 11, 22, 23,**
D15/25, 28, 32; 37/103, 117.5, 118 A, 110 R,
141 R, 141 T, 231

[56] **References Cited**

U.S. PATENT DOCUMENTS

D. 187,874	5/1960	Cross	D15/11
D. 219,809	2/1971	Coontz	D15/32
4,215,496	8/1980	Wehr	37/117.5
4,570,366	2/1986	Yost	37/141 T
4,899,472	2/1990	Winter	37/141 R

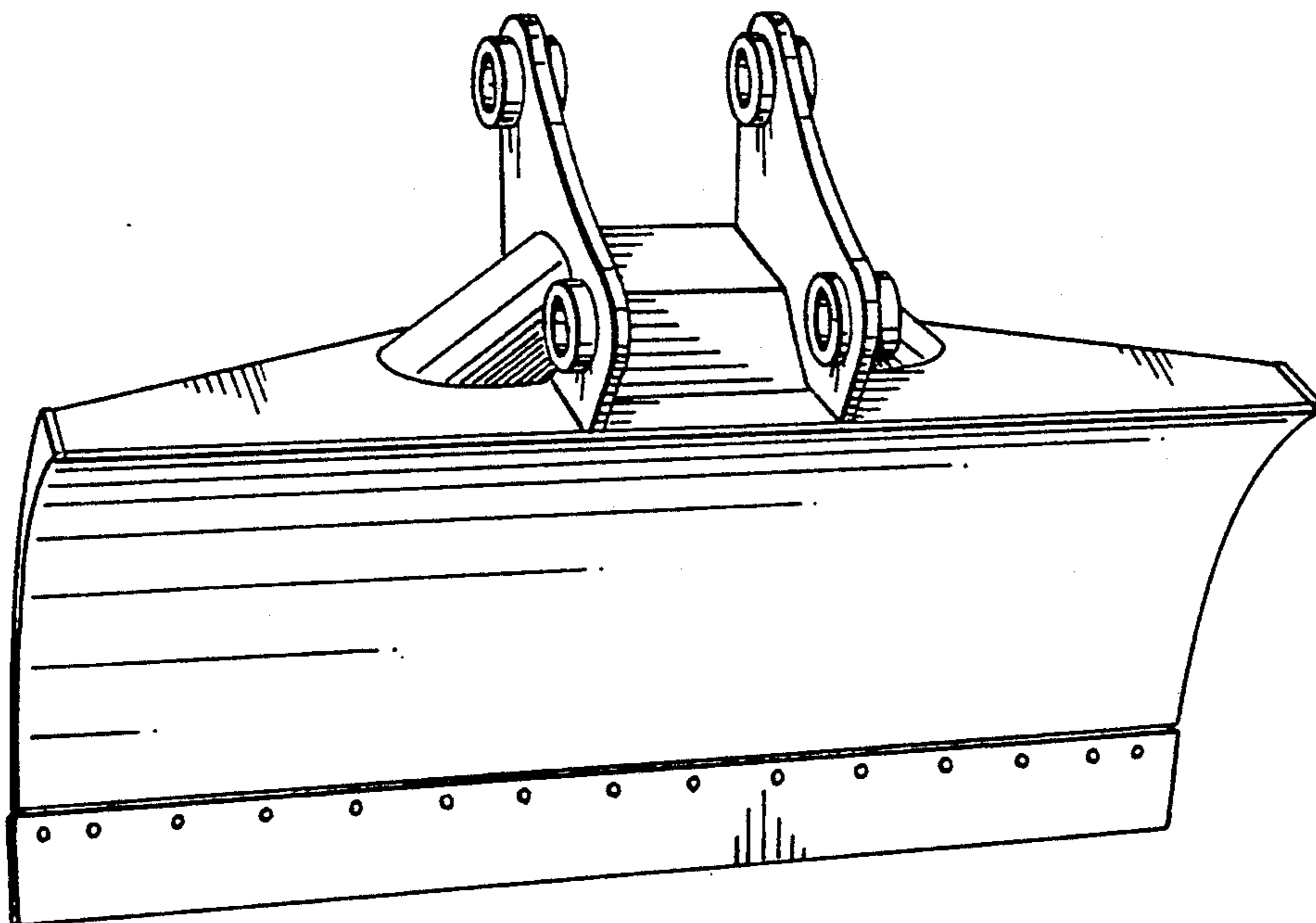
Primary Examiner—Theodore M. Shooman
Assistant Examiner—Sandra Norris
Attorney, Agent, or Firm—George H. Dunsmuir

[57] **CLAIM**

The ornamental design for an excavator blade, as shown and described.

DESCRIPTION

FIG. 1 is a front perspective view of an excavator blade, showing our new design;
FIG. 2 is a rear perspective view thereof; and
FIG. 3 is a right side elevational view thereof, the left side being a mirror image.



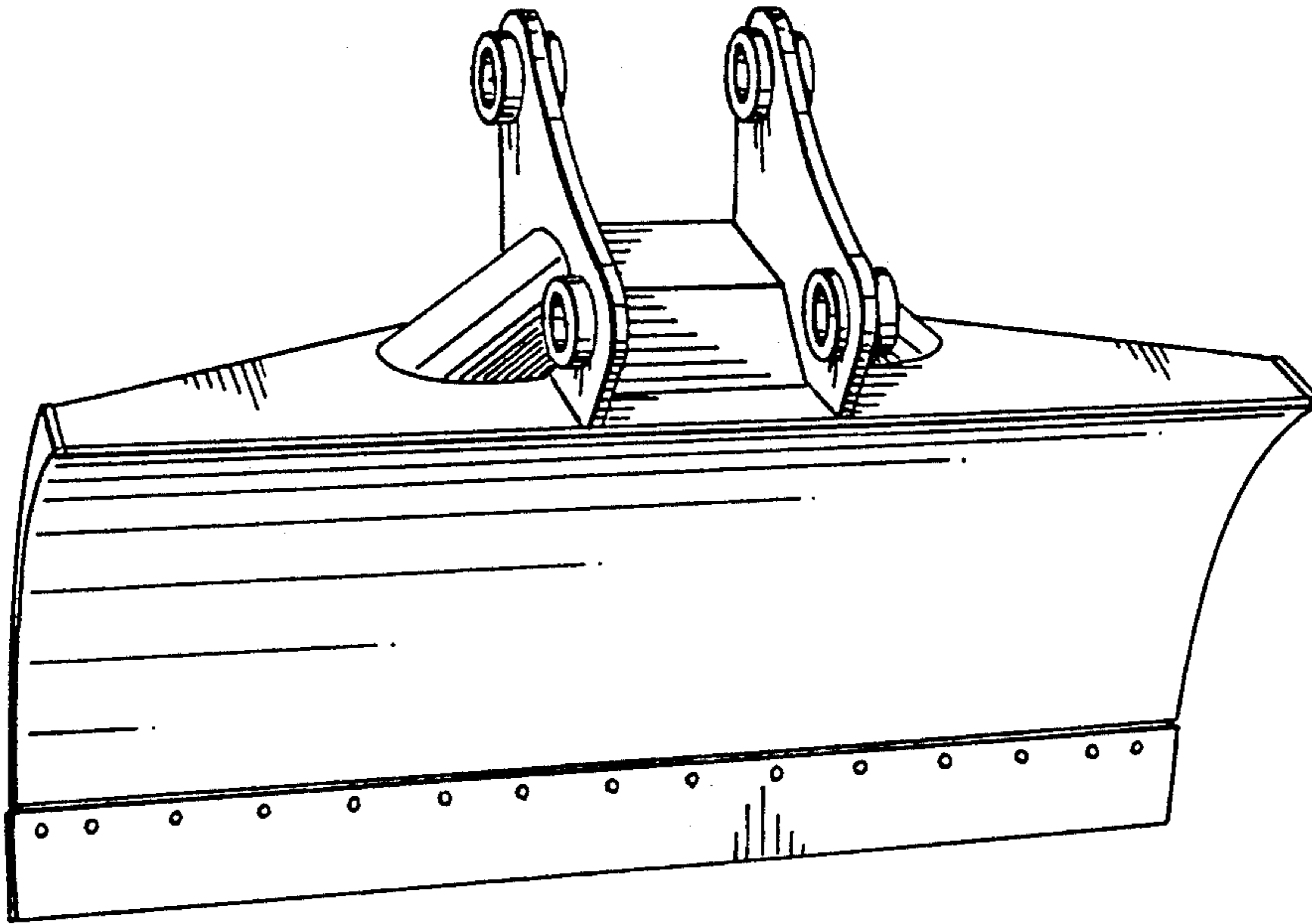


FIG. 1

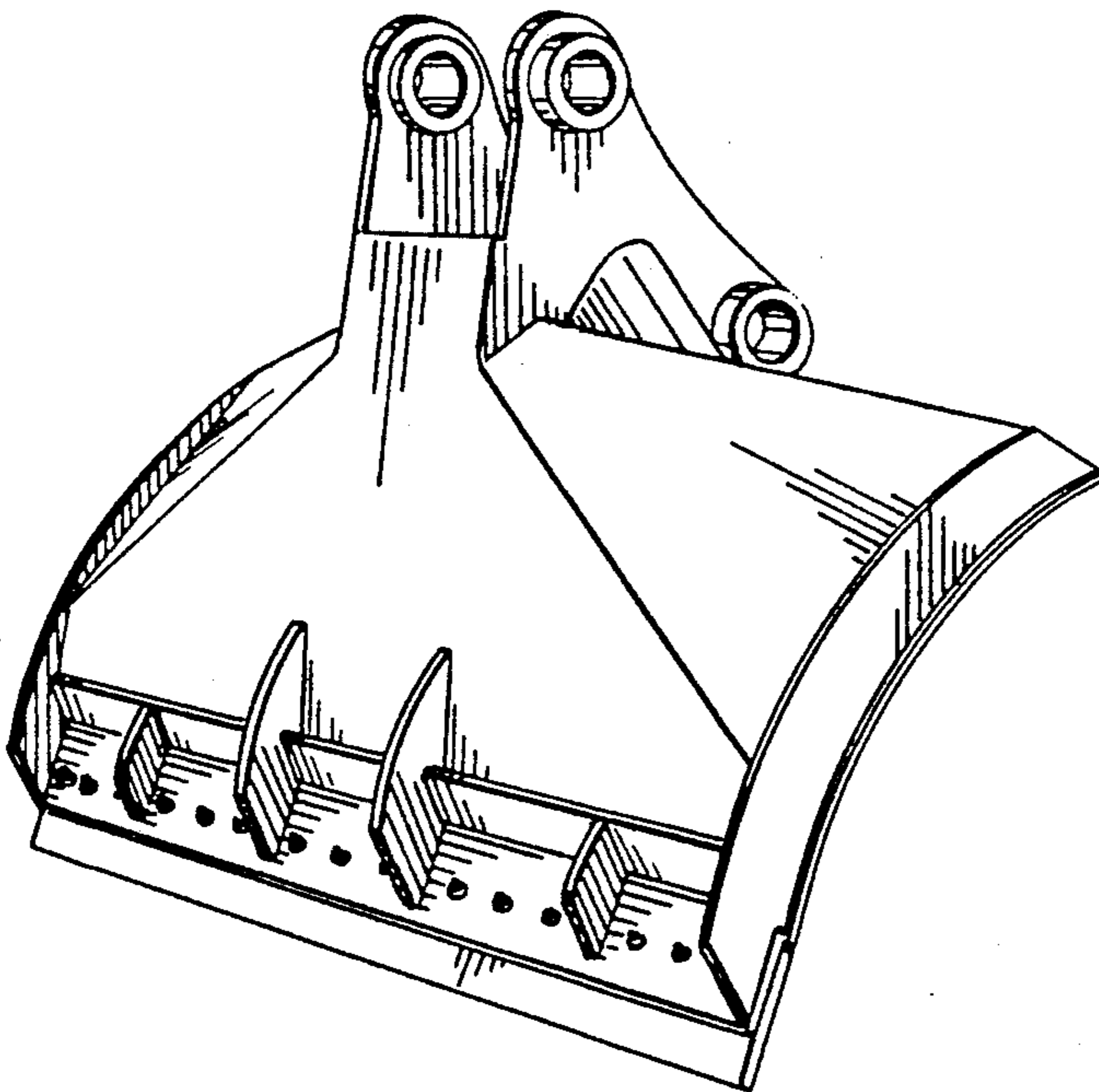


FIG. 2

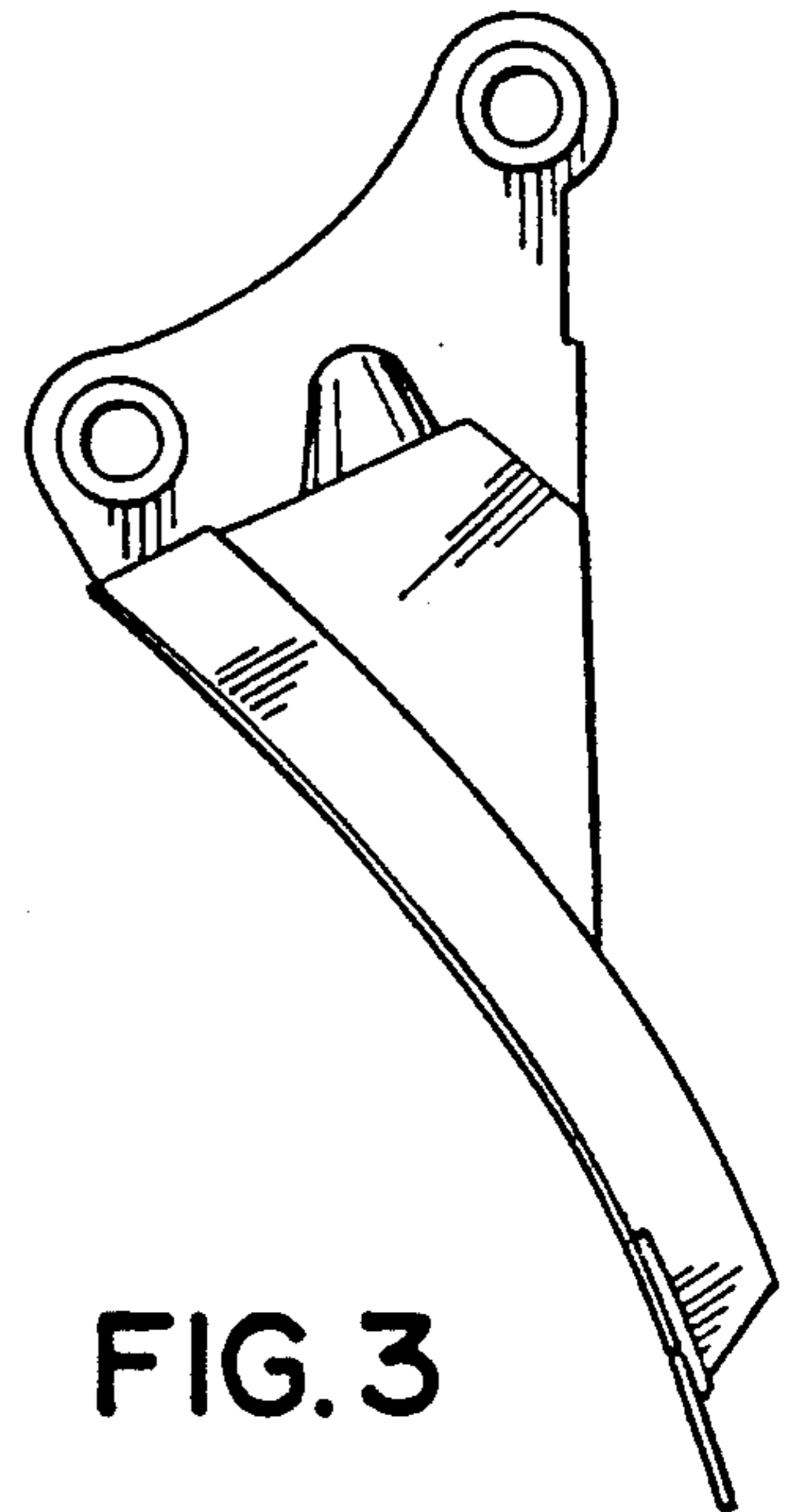


FIG. 3