



US00D323651S

United States Patent [19]

[11] Patent Number: **Des. 323,651**

Saeki et al.

[45] Date of Patent: **** Feb. 4, 1992**

[54] TELEVISION SET

D. 317,598 6/1991 Park D14/126

[75] Inventors: **Taisuke Saeki; Yoshito Fujii; Osamu Shimizu; Tohru Ohtani**, all of Osaka, Japan

OTHER PUBLICATIONS

ID, Sep./Oct. 1987, p. 30, top-VCR-TV.

[73] Assignee: **Sharp Corporation**, Osaka, Japan

Primary Examiner—Theodore M. Shooman
Attorney, Agent, or Firm—Flehr, Hohbach, Test, Albritton & Herbert

[**] Term: **14 Years**

[57] CLAIM

[21] Appl. No.: **551,252**

The ornamental design for a television set, as shown and described.

[22] Filed: **Jul. 10, 1990**

DESCRIPTION

[52] U.S. Cl. **D14/126**

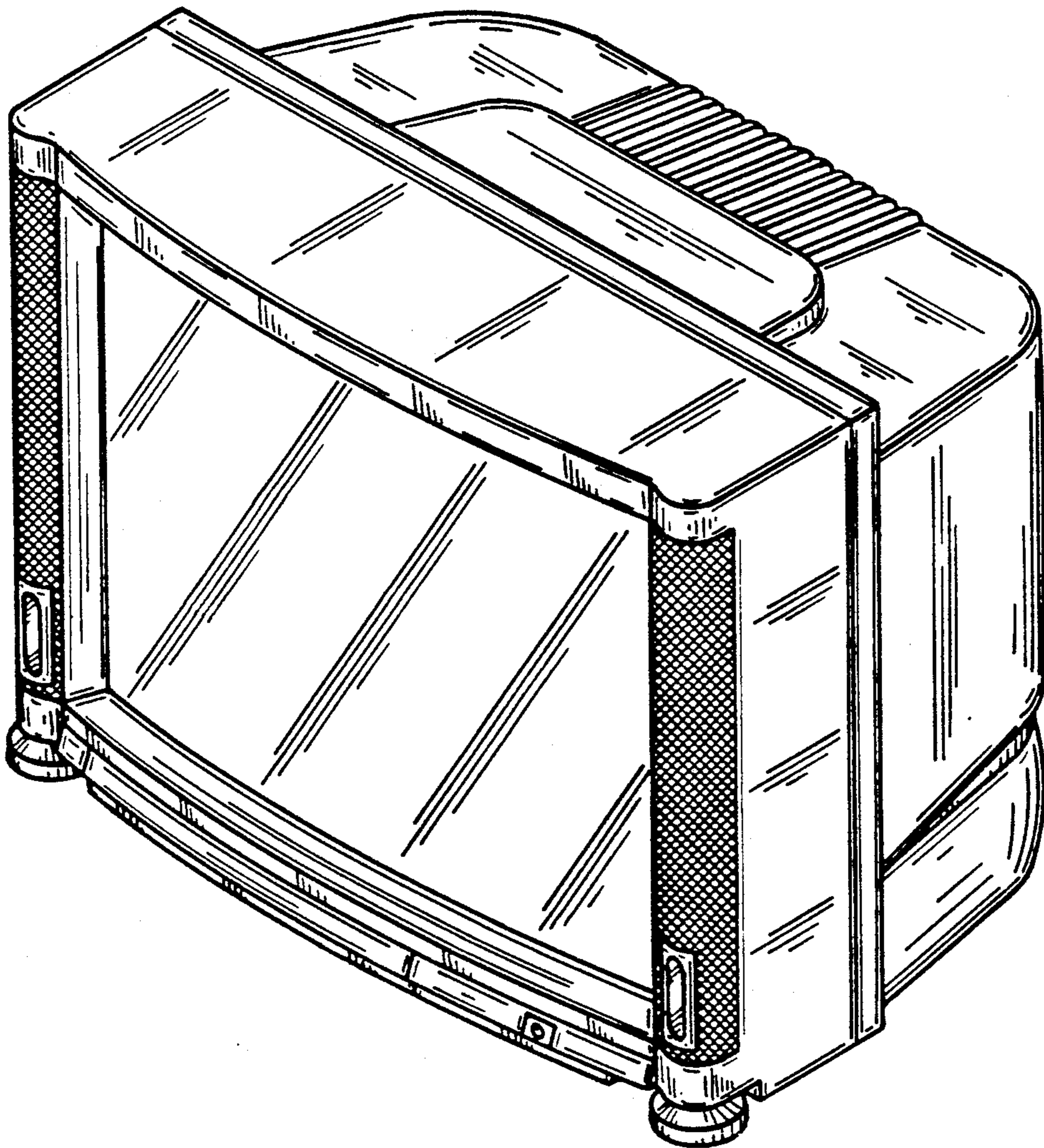
[58] Field of Search **D14/124-135, D14/113; 358/236-239, 254-255; 312/7.2**

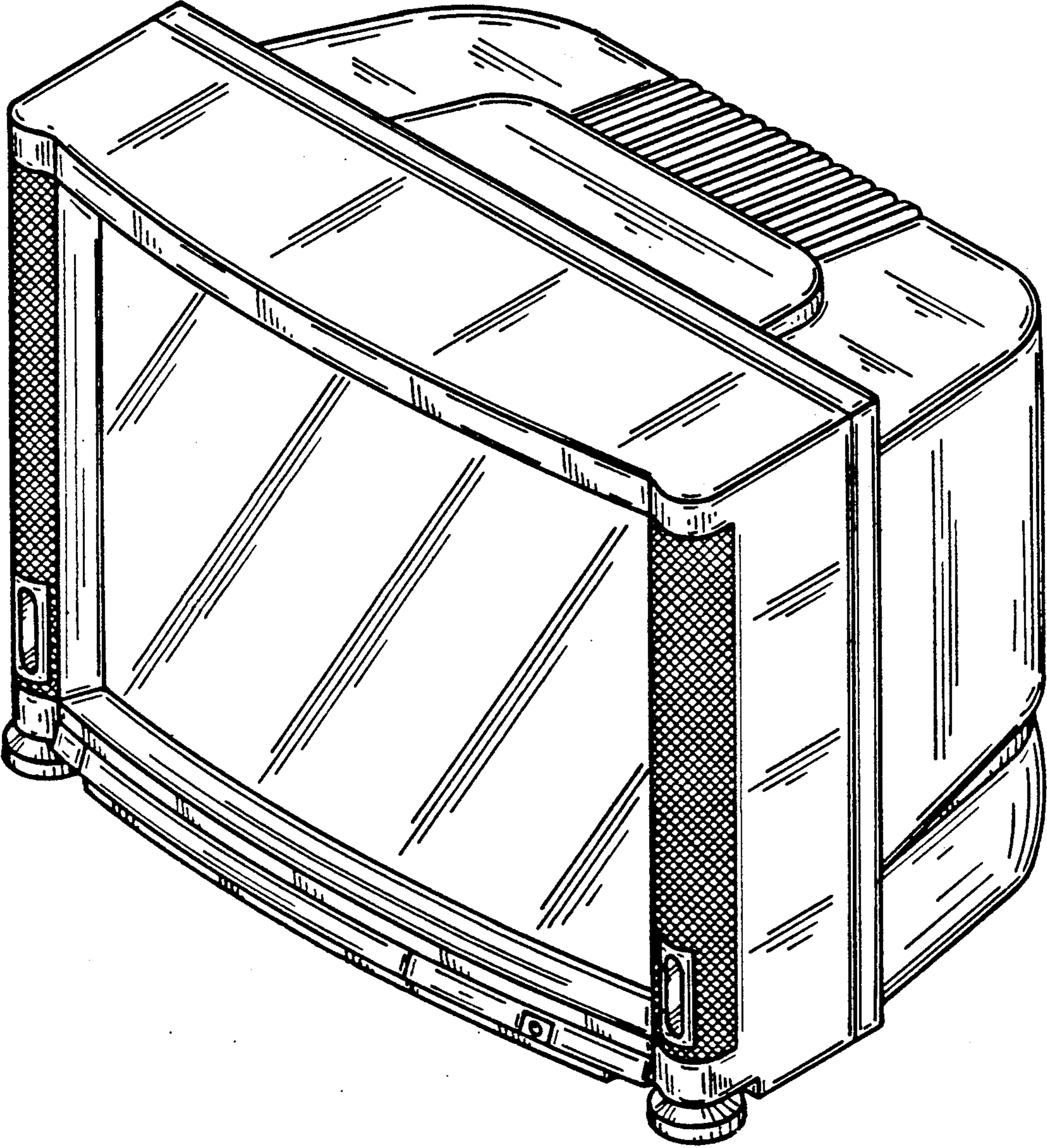
FIG. 1 is a top, front and right side perspective view of a television set showing our new design; FIG. 2 is a front elevational view thereof; FIG. 3 is a rear elevational view thereof; FIG. 4 is a top plan view thereof; FIG. 5 is a bottom plan view thereof; FIG. 6 is a right side elevational view thereof; and FIG. 7 is a left side elevational view thereof.

[56] References Cited

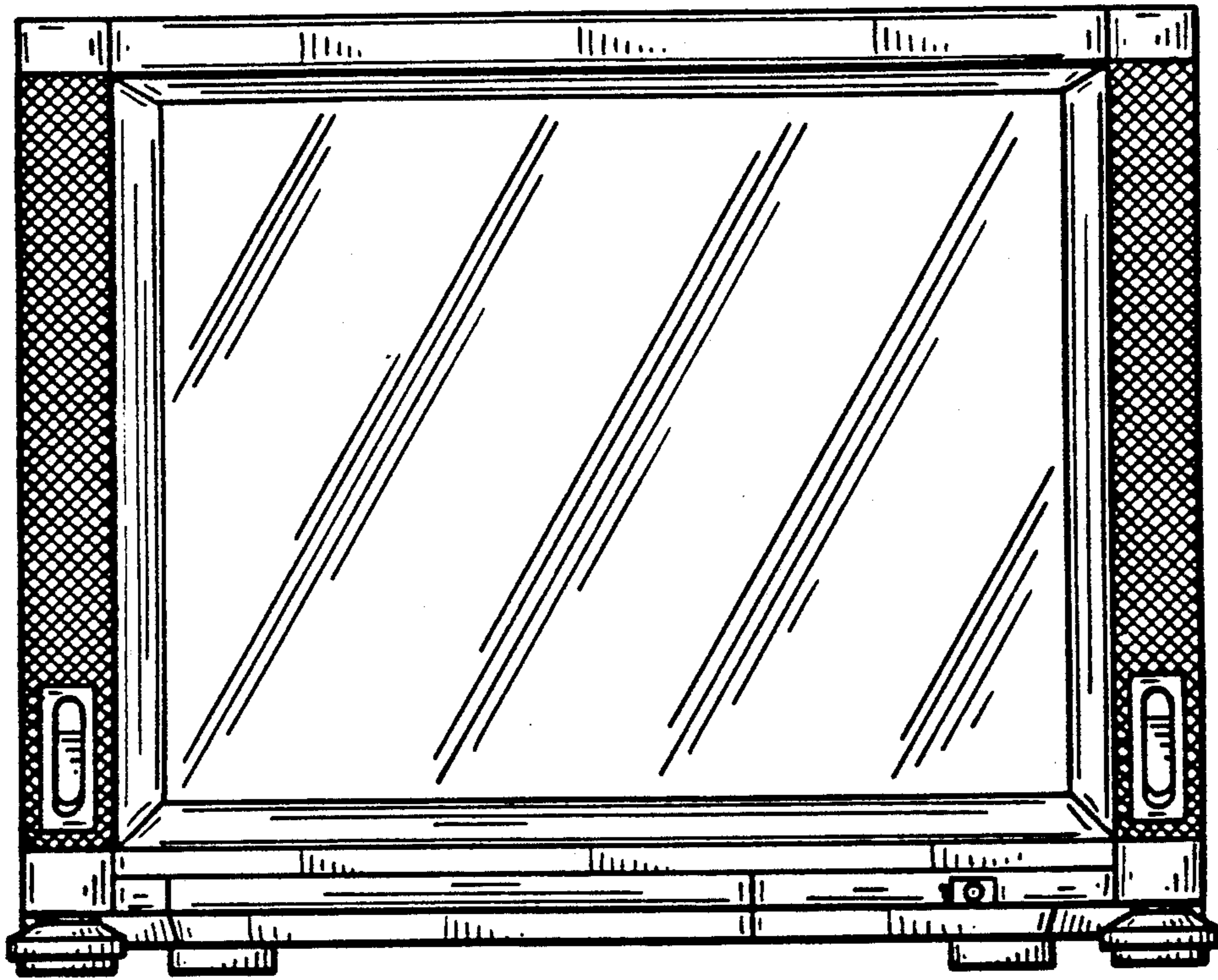
U.S. PATENT DOCUMENTS

- D. 307,005 5/1990 Satake et al. D14/126
- D. 308,370 6/1990 Shiraki D14/126
- D. 316,408 4/1991 Tsubaki et al. D14/126

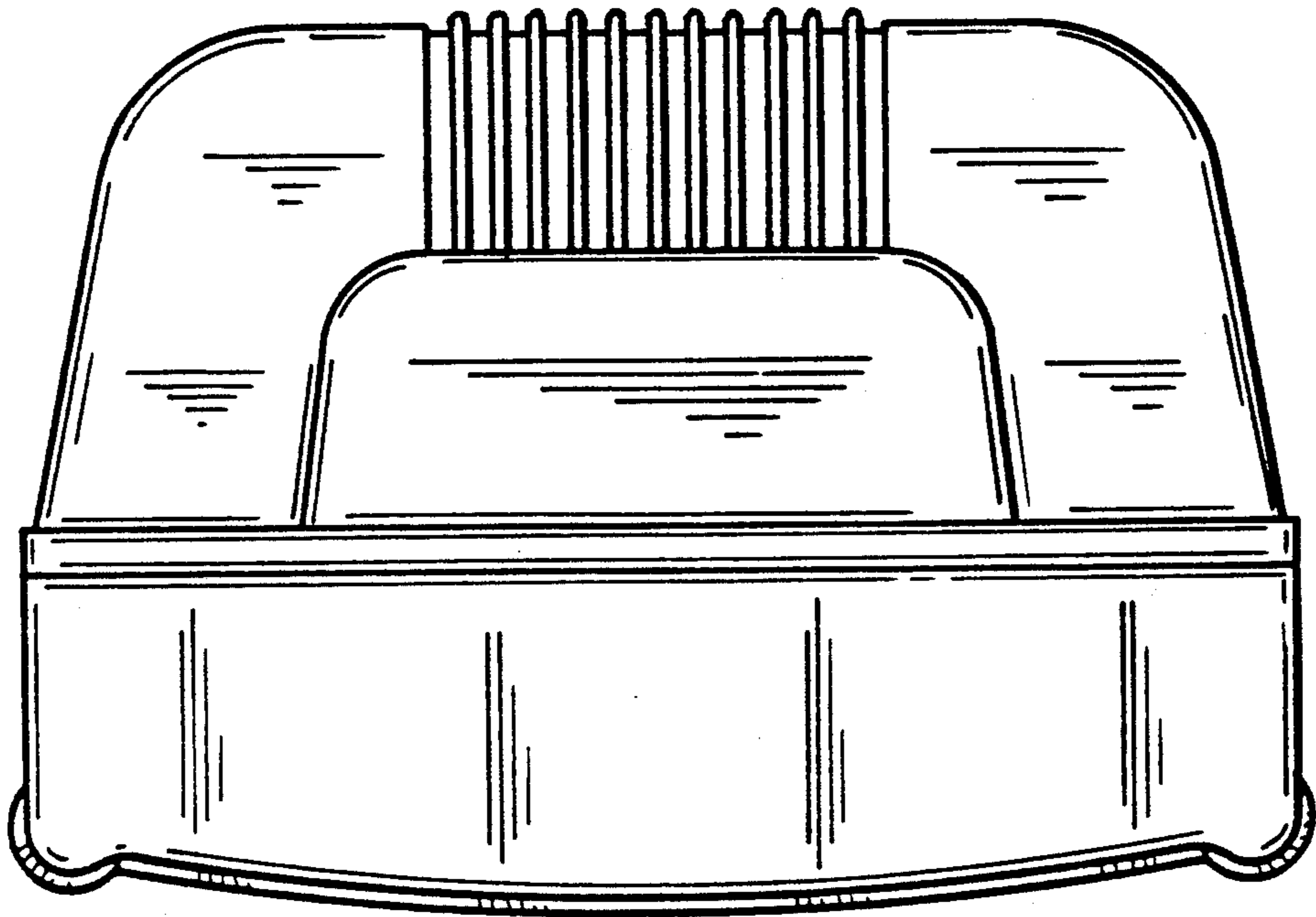




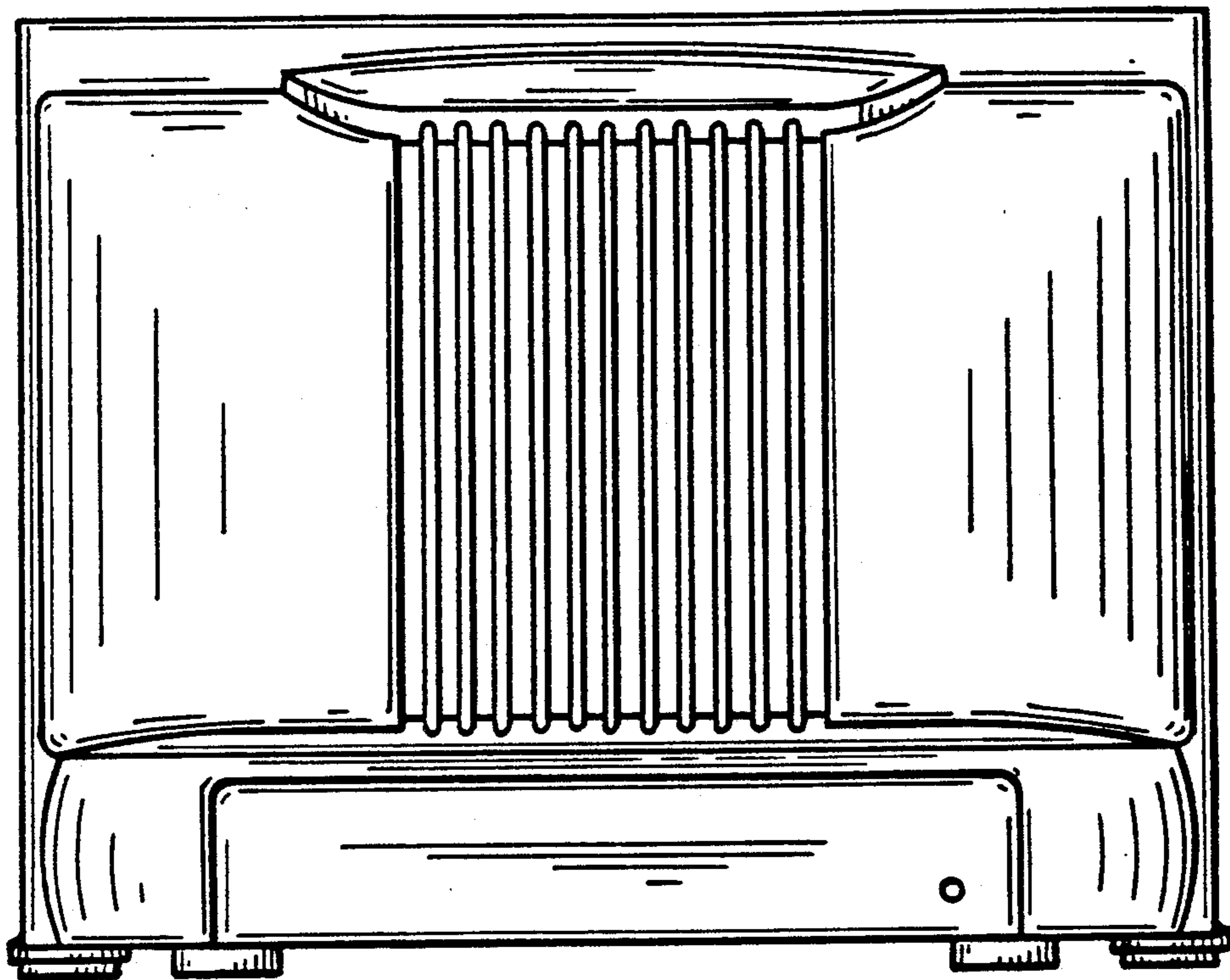
FIG_1



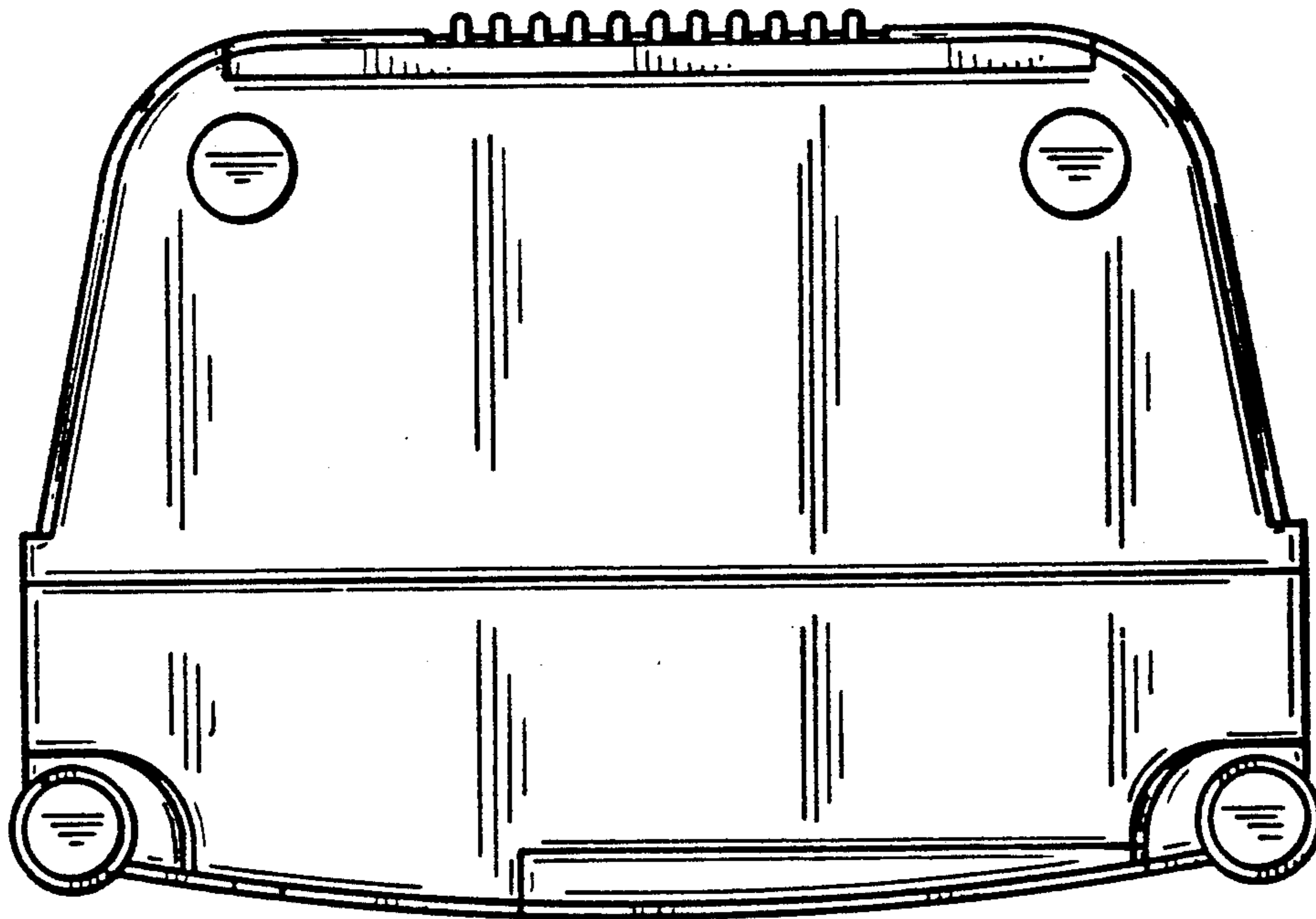
FIG_2



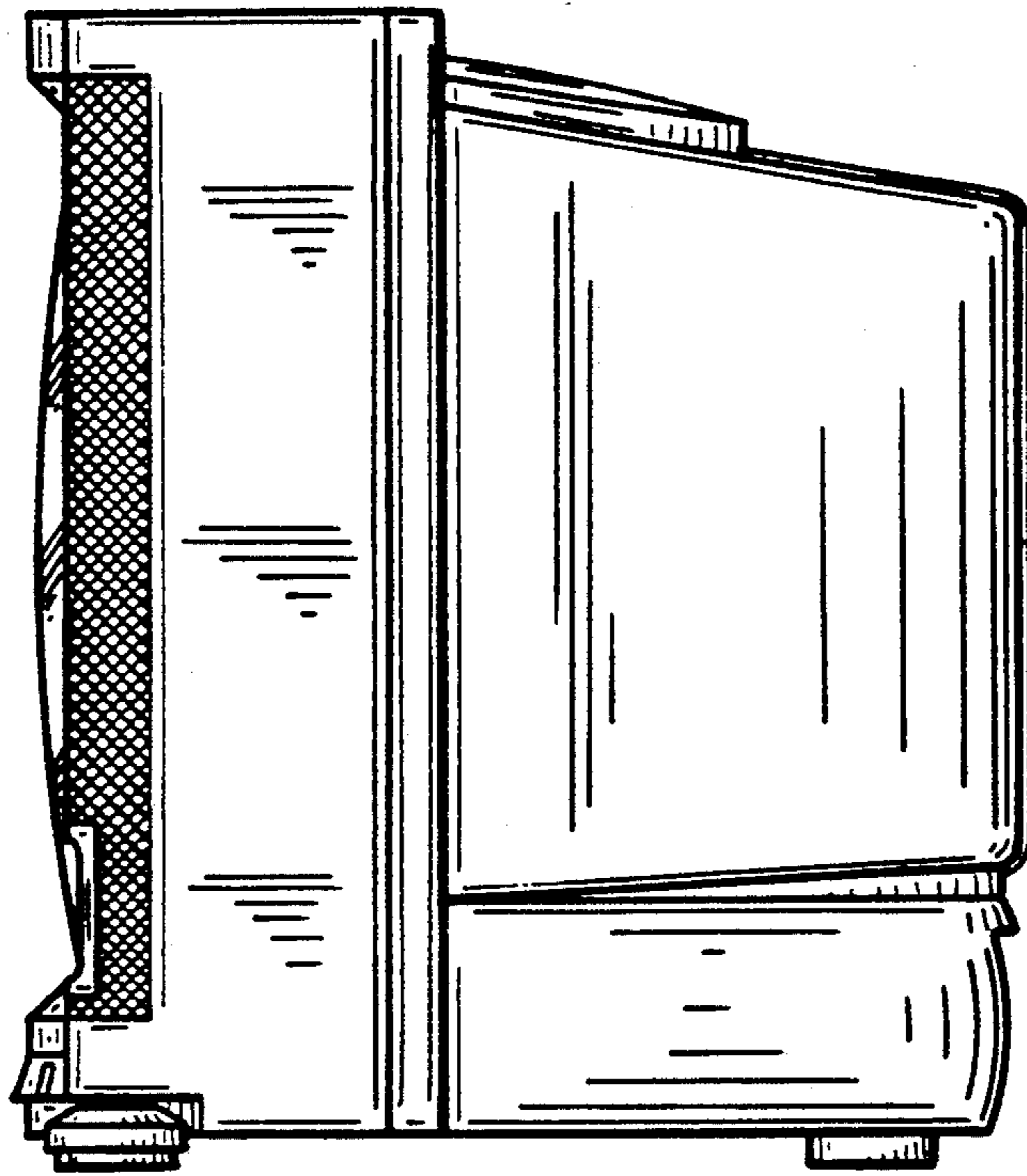
FIG_4



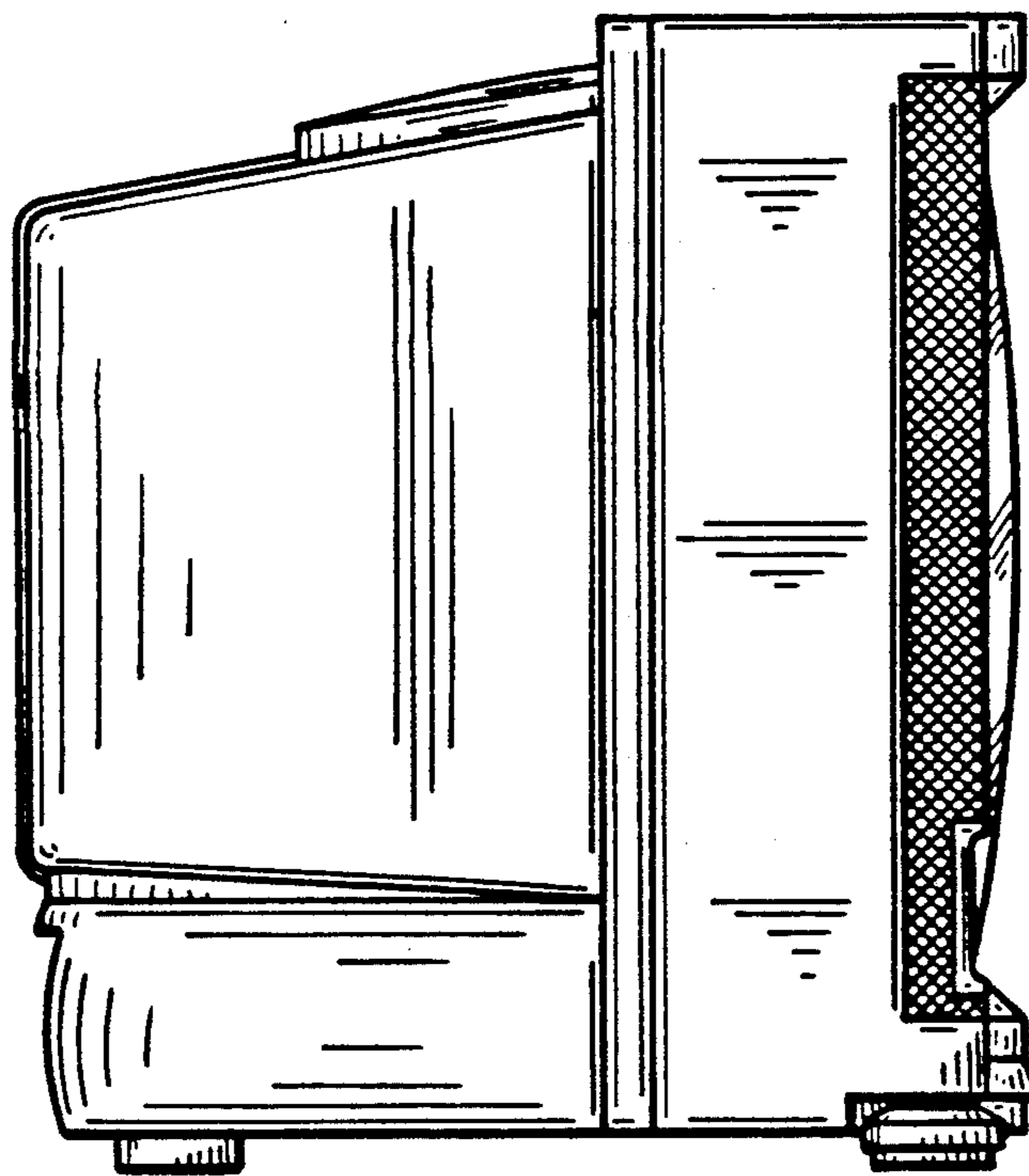
FIG_3



FIG_5



FIG_6



FIG_7

UNITED STATES PATENT AND TRADEMARK OFFICE
CERTIFICATE OF CORRECTION

PATENT NO. : D323,651
DATED : February 4, 1992
INVENTOR(S) : Saeki, et al.

It is certified that error appears in the above-identified patent and that said Letters Patent is hereby corrected as shown below:

On the title page, after line (22), insert:

--(30) Foreign Application Priority Date
January 11, 1990 (JP) Japan.....2-551--

Signed and Sealed this
Fifteenth Day of June, 1993

Attest:



MICHAEL K. KIRK

Attesting Officer

Acting Commissioner of Patents and Trademarks