



US00D323648S

# United States Patent [19]

[11] Patent Number: **Des. 323,648**

**Yamamoto**

[45] Date of Patent: **\*\* Feb. 4, 1992**

[54] **MARK READER FOR CASH REGISTER**

4,797,540	1/1989	Kimizu .....	235/383
4,838,383	6/1989	Saito et al. ....	186/59
4,963,721	10/1990	Kohno et al. ....	235/462

[75] Inventor: **Yoshiro Yamamoto, Chiba, Japan**

[73] Assignee: **Tokyo Electric Company, Ltd., Tokyo, Japan**

[\*\*] Term: **14 Years**

[21] Appl. No.: **394,175**

[22] Filed: **Aug. 14, 1989**

[30] **Foreign Application Priority Data**

Feb. 13, 1989 [JP] Japan ..... 1-4992

[52] U.S. Cl. .... **D14/105; D14/107; D18/4**

[58] Field of Search ..... D14/100, 105, 107, 114, D14/116; D18/4; 235/380, 441, 454, 462, 470-475, 479, 455, 2, 487, 379, 7 R, 383; 250/203.1, 239, 566, 568, 569; 358/408, 407, 473, 474, 479; 354/80-82; 355/231, 233; 382/58, 59, 62, 63, 65; 186/35, 37, 59, 61, 62, 68

[56] **References Cited**

**U.S. PATENT DOCUMENTS**

3,557,907	1/1971	Close .....	186/62
4,052,594	10/1977	Davis .....	235/454
4,134,537	1/1979	Glaser et al. ....	D14/105 X
4,608,486	8/1986	Berstein et al. ....	235/380
4,724,307	2/1988	Dutton et al. ....	235/455
4,735,289	4/1988	Kenyon .....	186/37
4,760,246	7/1988	Shepard .....	235/454

**OTHER PUBLICATIONS**

Japanese catalogue by TEC for the "M-2800" (date unknown).

Japanese catalogue by TEC for the "M-2300" (date unknown).

*Primary Examiner*—Wallace R. Burke

*Assistant Examiner*—Freda S. Nunn

*Attorney, Agent, or Firm*—Oblon, Spivak, McClelland, Maier & Neustadt

[57] **CLAIM**

The ornamental design for a mark reader for cash register, as shown and described.

**DESCRIPTION**

FIG. 1 is a perspective view of a mark reader for cash register showing my new design;  
 FIG. 2 is a front elevational view thereof;  
 FIG. 3 is a rear elevational view thereof;  
 FIG. 4 is a right side elevational view thereof;  
 FIG. 5 is a left side elevational view thereof;  
 FIG. 6 is a top plan view thereof;  
 FIG. 7 is a bottom plan view thereof; and  
 FIG. 8 is a reduced perspective view thereof shown in an operative state wherein the check-out system is shown in broken lines for illustrative purposes only and forms no part of the claimed design.

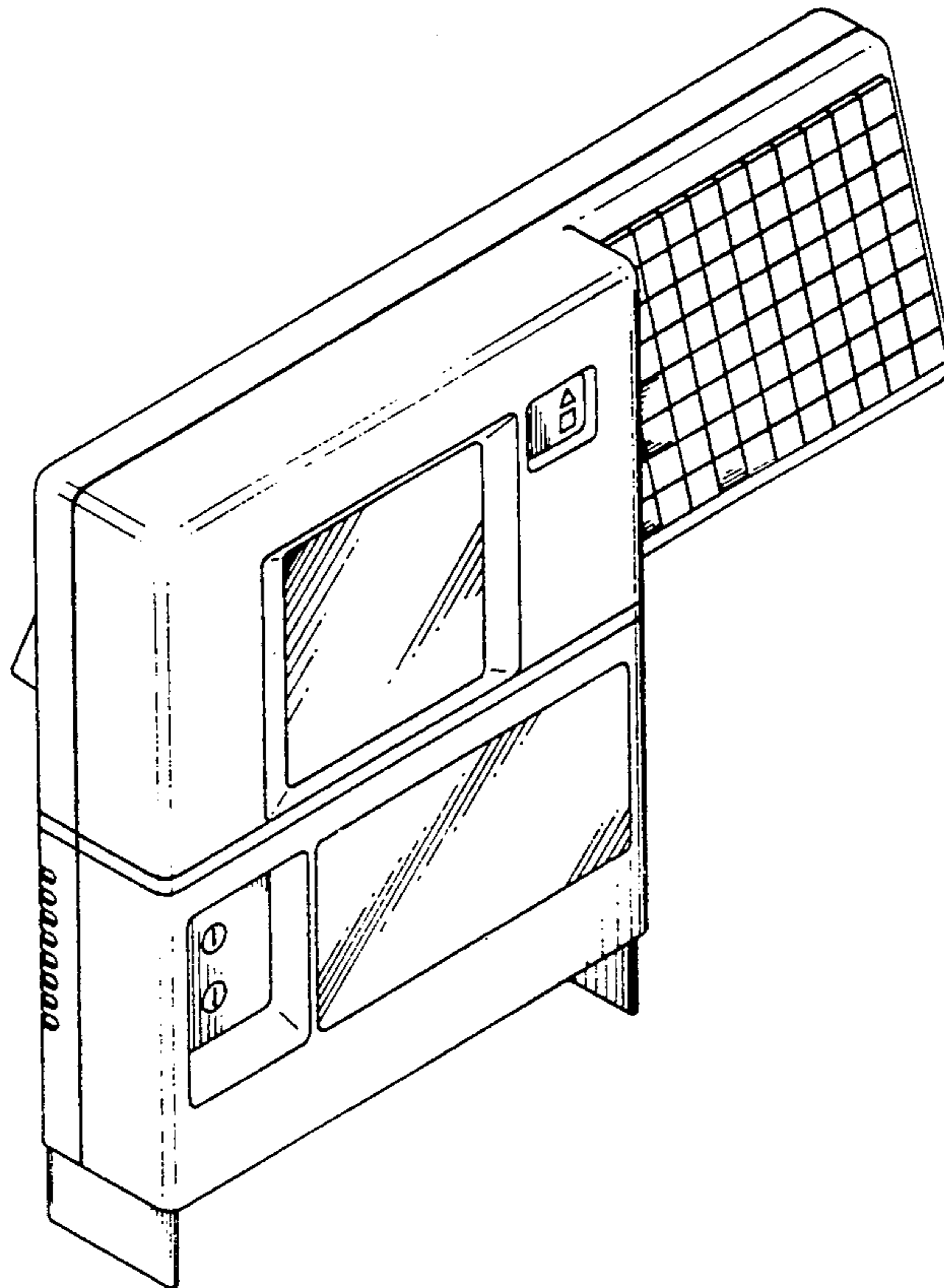


FIG. 1

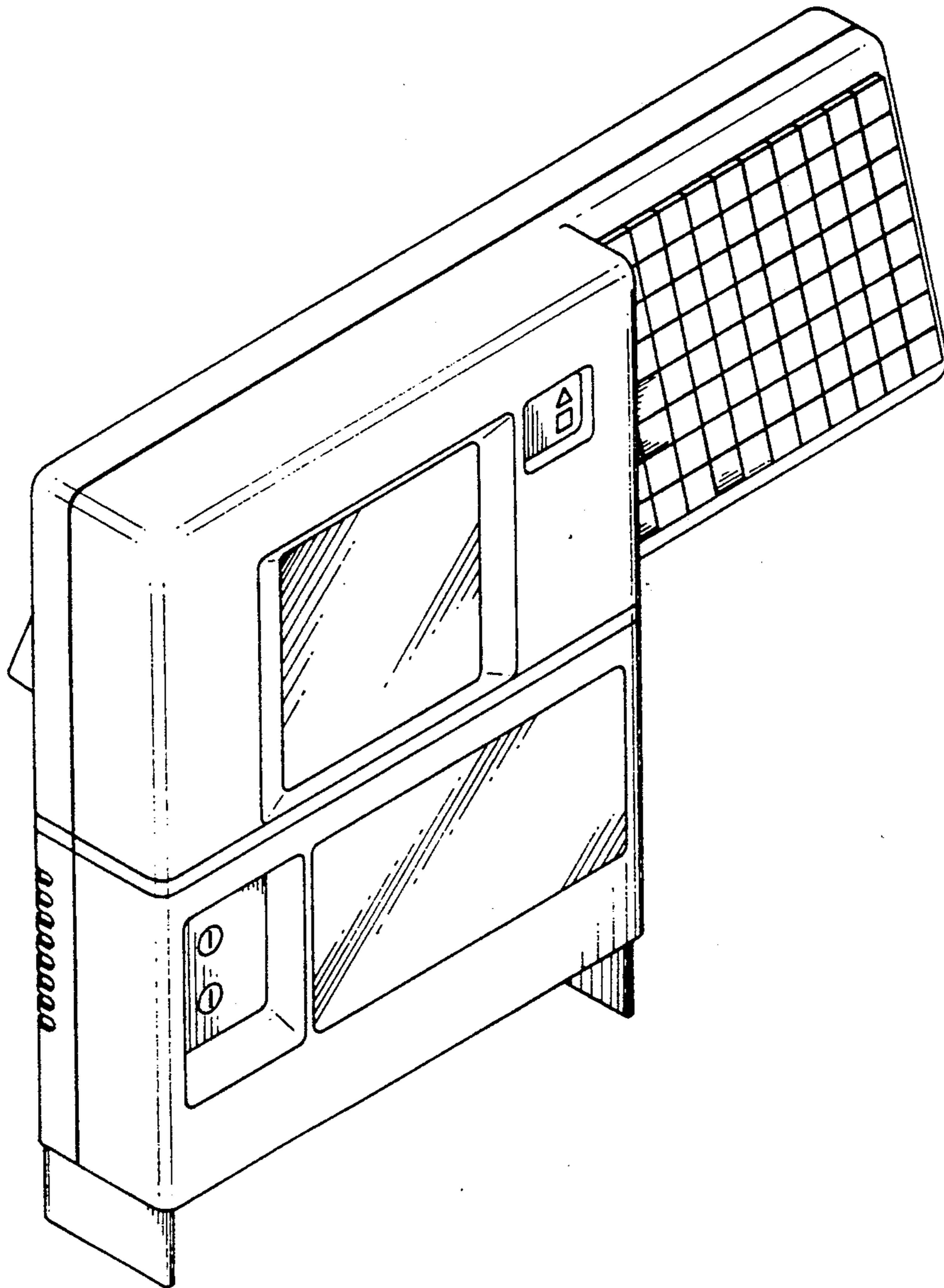


FIG. 2

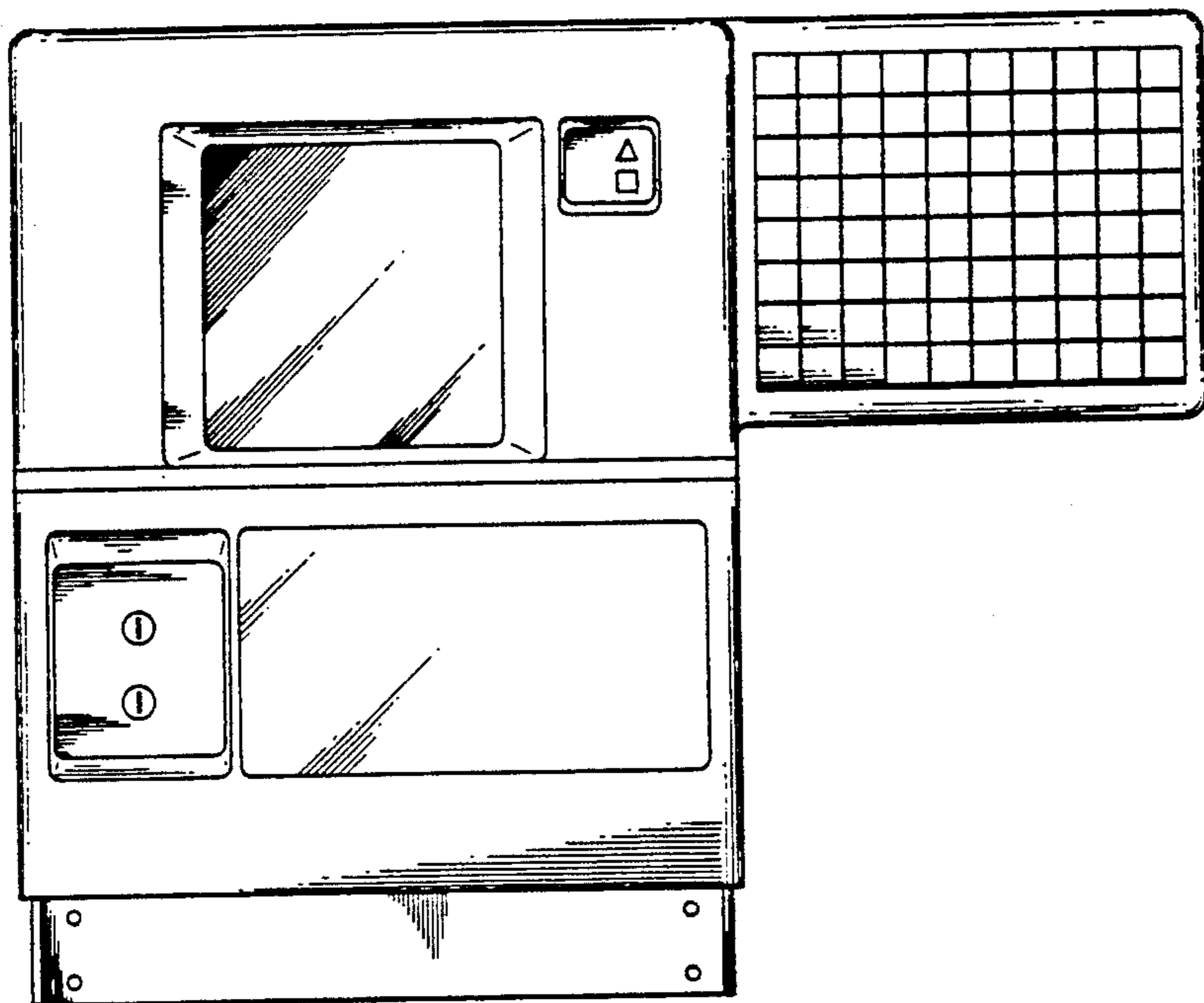


FIG. 4

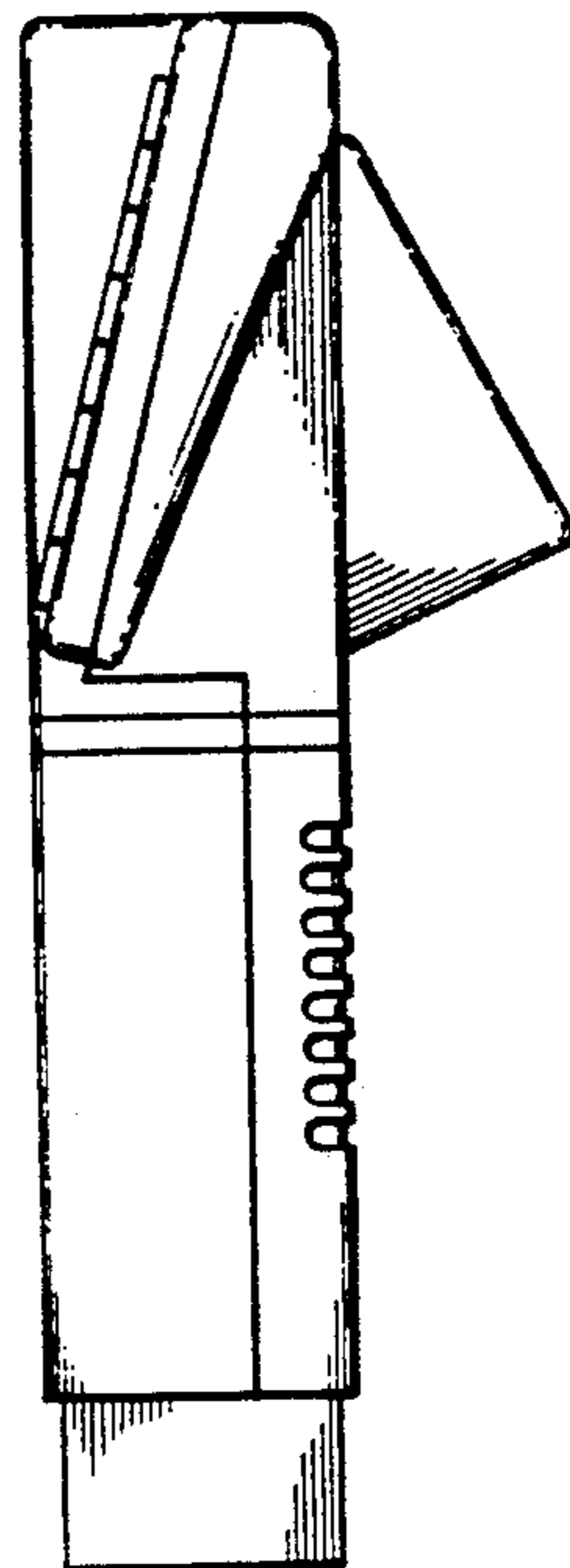


FIG. 3

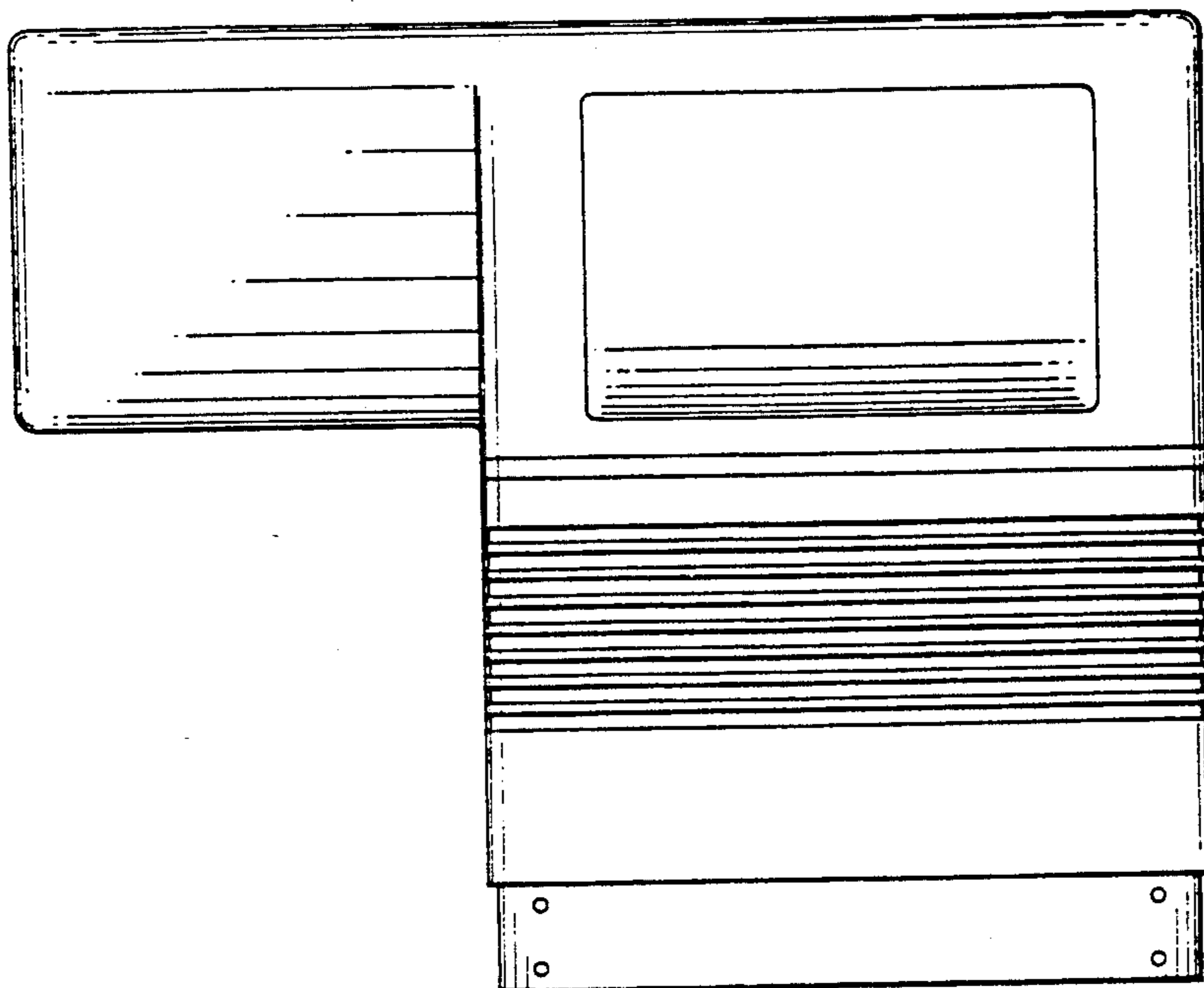


FIG. 5

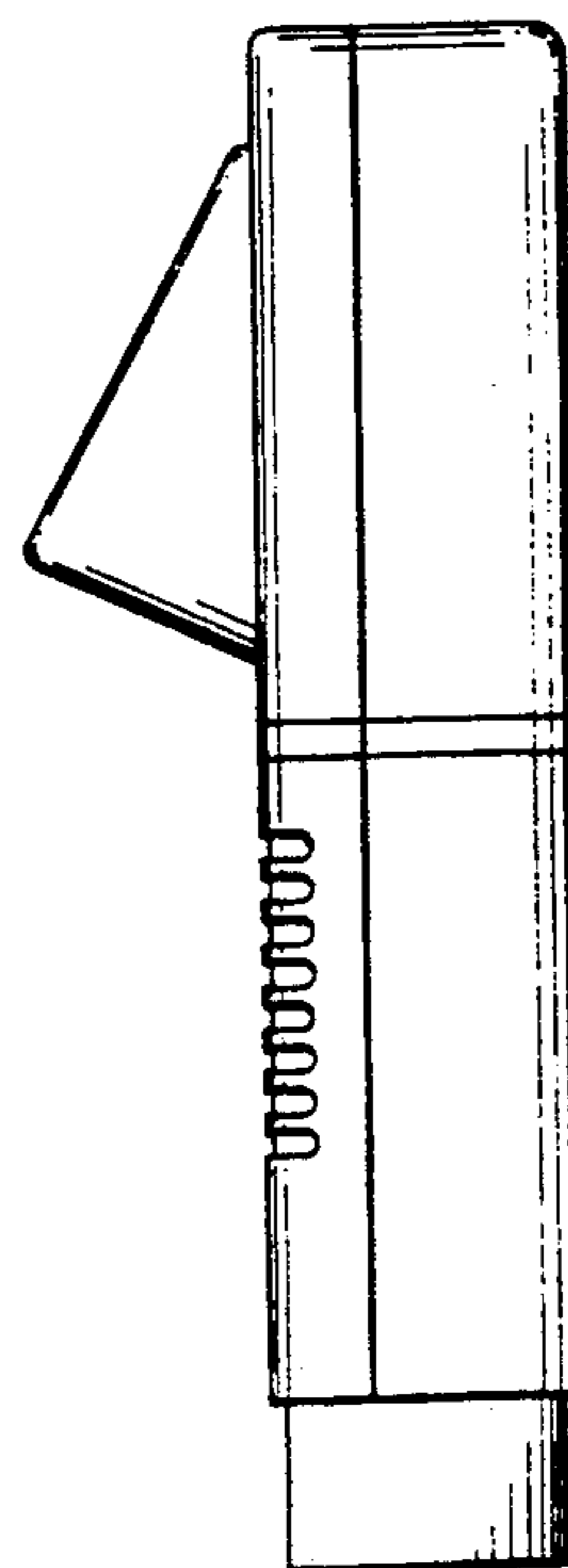


FIG. 6

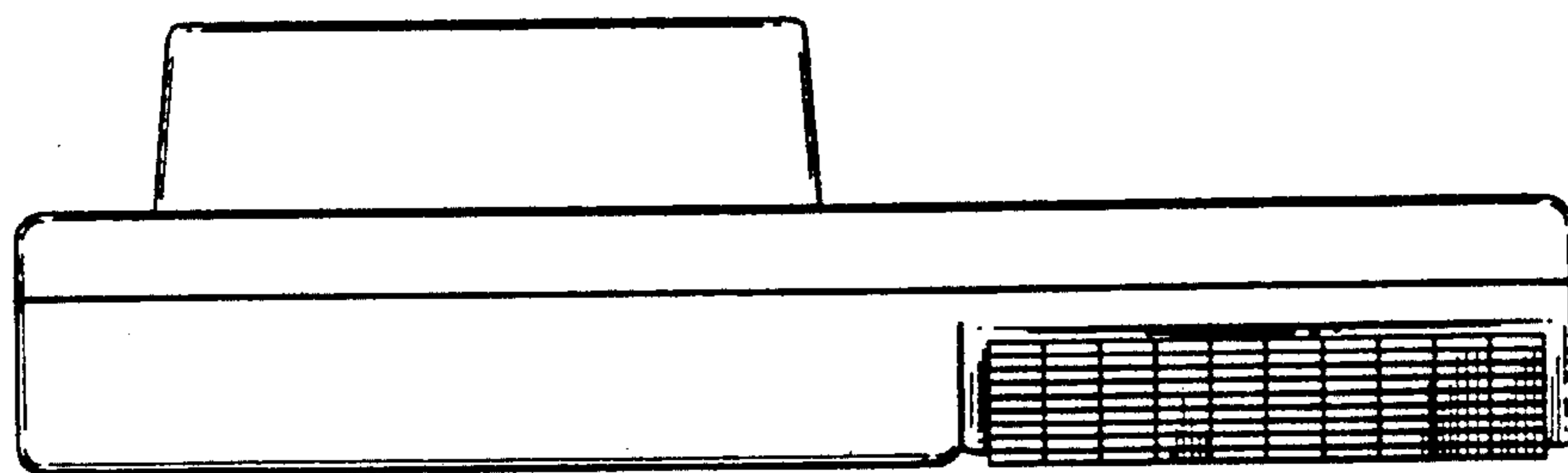


FIG. 7

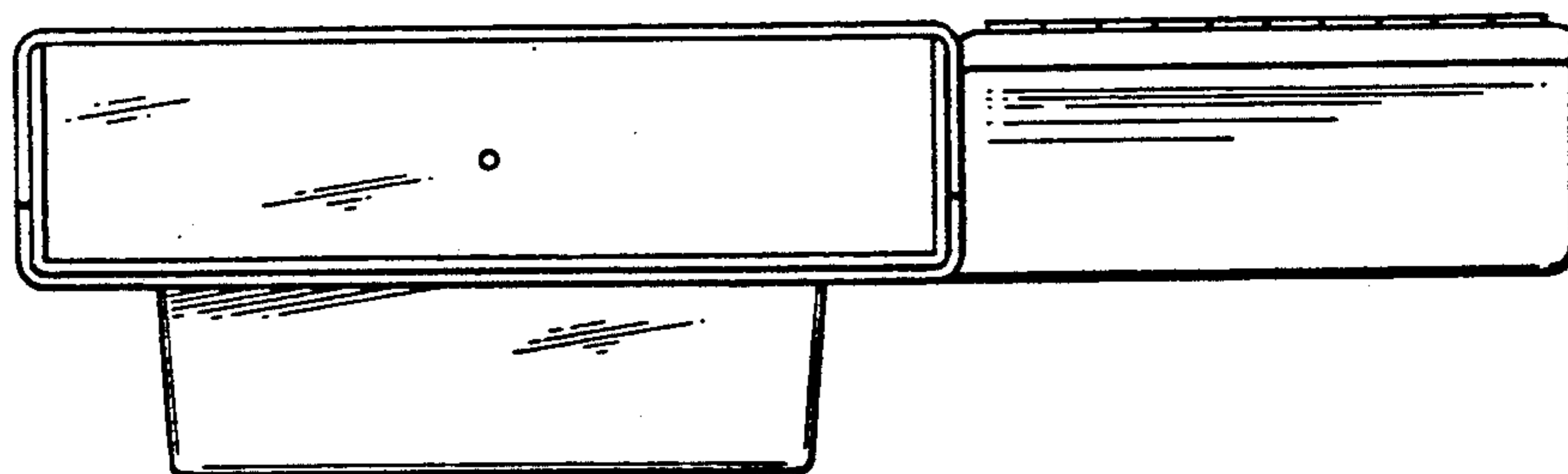




FIG. 8

