



US00D323646S

United States Patent [19]

[11] Patent Number: **Des. 323,646**

Suzuki et al.

[45] Date of Patent: **** Feb. 4, 1992**

[54] **HOUSING FOR AN ELECTRICAL CONNECTOR**

Attorney, Agent, or Firm—Nils H. Ljungman & Associates

[75] Inventors: **Masaji Suzuki, Tsu; Shoichi Sugata, Suzuka; Kiyofumi Ichida, Utsunomiya, all of Japan**

[57] **CLAIM**

The ornamental design for a housing for an electrical connector, as shown and described.

[73] Assignee: **Sumitomo Wiring Systems, Ltd., Yokkaichi, Japan**

DESCRIPTION

[**] Term: **14 Years**

FIG. 1 is a front and upper right perspective view of a housing for an electrical connector showing our new design;

[21] Appl. No.: **441,395**

FIG. 2 is a top plan view thereof;

[22] Filed: **Nov. 22, 1989**

FIG. 3 is a front elevational view thereof;

[30] **Foreign Application Priority Data**

Jun. 9, 1989 [JP] Japan 1-21414

FIG. 4 is a bottom plan view thereof;

[52] U.S. Cl. **D13/147**

FIG. 5 is a rear elevational view thereof;

[58] Field of Search **D13/133, 146, 147;**

FIG. 6 is a left side elevational view thereof;

439/271, 275, 279, 282, 293, 297, 350, 352, 353,

FIG. 7 is a right side elevational view thereof;

357, 358, 571, 586, 587, 589, 595, 596, 598, 600,

FIG. 8 is a cross-sectional view thereof taken along line 8—8 of FIG. 3;

680, 682, 685, 686, 687, 695, 701, 724, 744, 748,

FIG. 9 is a front and upper right perspective view of a housing for an electrical connector showing a second embodiment of our new design;

752

FIG. 10 is a top plan view thereof;

[56] **References Cited**

U.S. PATENT DOCUMENTS

D. 311,380 10/1990 Kameyama et al. D13/147

FIG. 11 is a front elevational view thereof;

D. 312,243 11/1990 Yamamoto D13/147

FIG. 12 is a bottom plan view thereof;

D. 314,755 2/1991 Endo et al. D13/147

FIG. 13 is a rear elevational view thereof;

D. 314,756 2/1991 Endo et al. D13/147

FIG. 14 is a left side elevational view thereof;

D. 315,331 3/1991 Yamamoto D13/146

FIG. 15 is a right side elevational view thereof; and

FIG. 16 is a cross-sectional view thereof taken along line 16—16 of FIG. 11.

Primary Examiner—James M. Gandy

The broken line showing of the front and rear apertures is included for the purpose of illustrating environmental elements only and forms no part of the claimed design.

Assistant Examiner—J. Sincavage

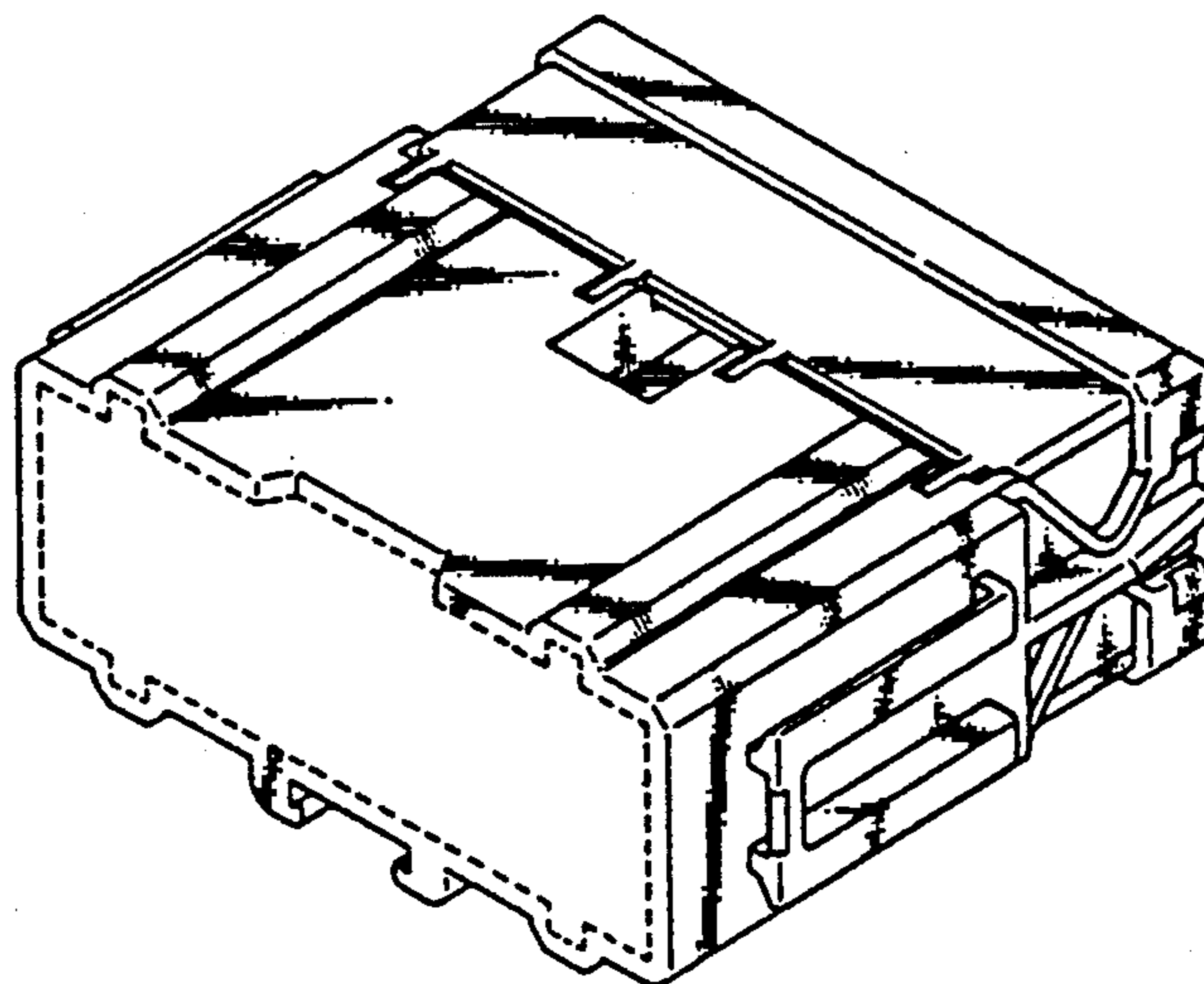


FIG. 2

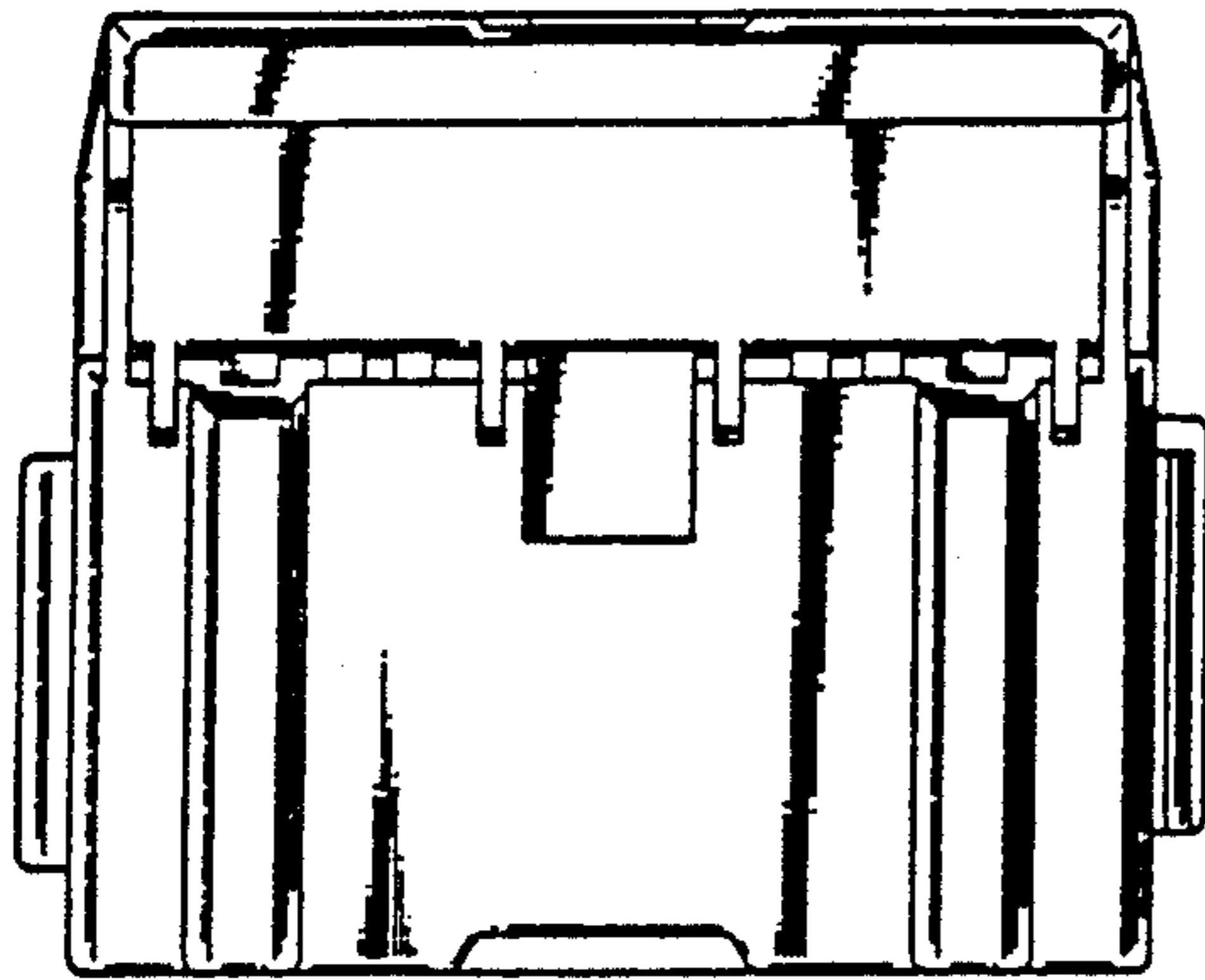


FIG. 1

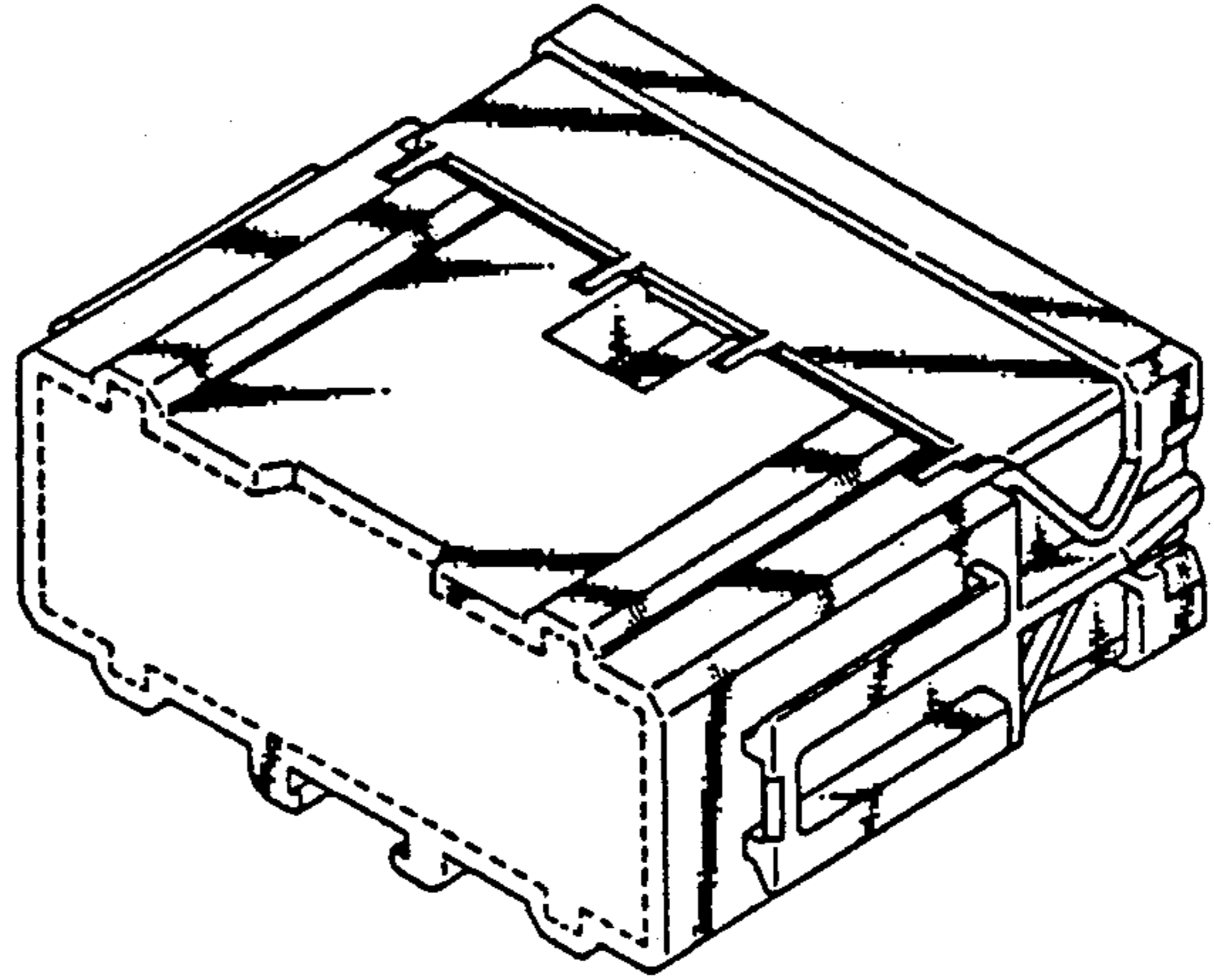


FIG. 3

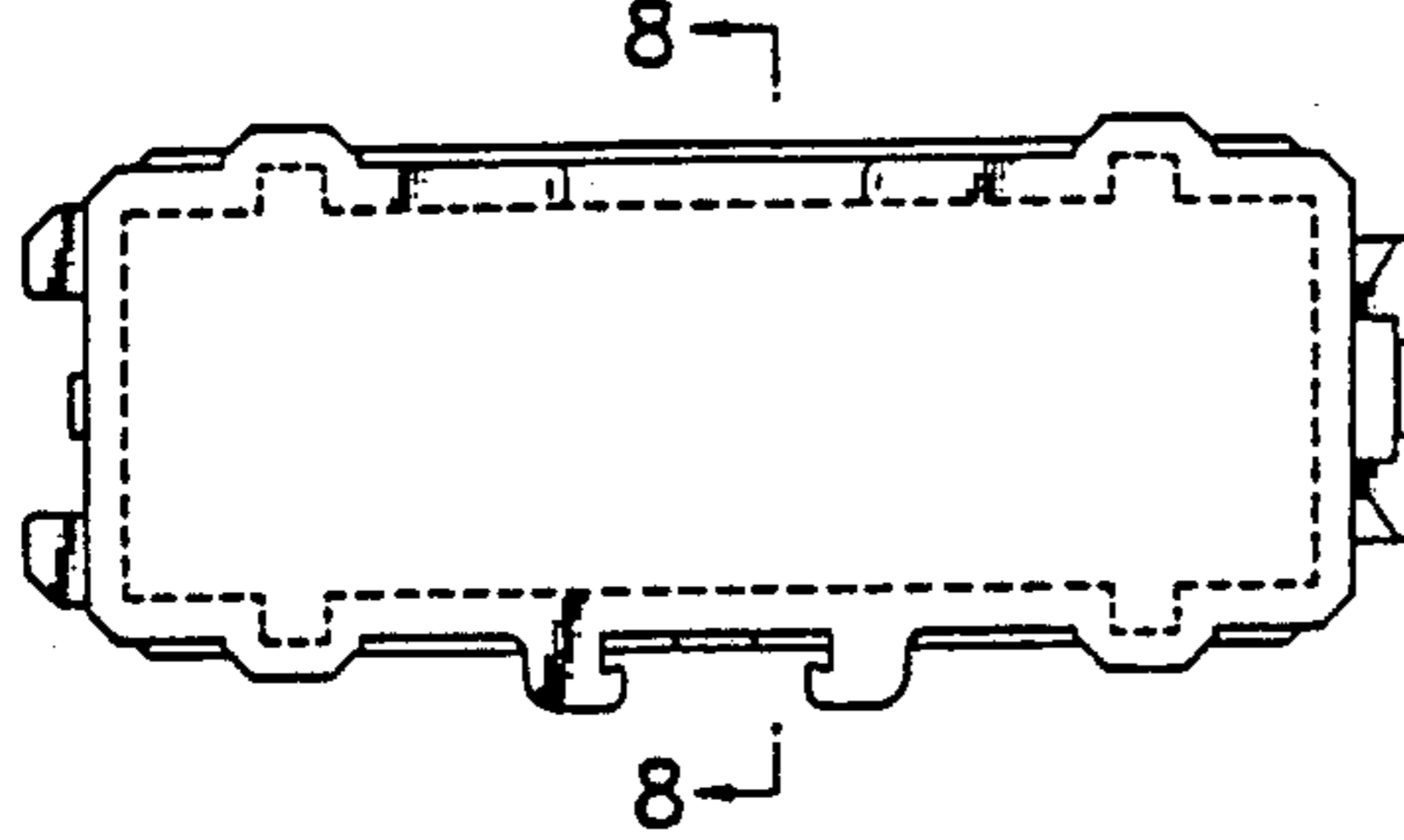


FIG. 6

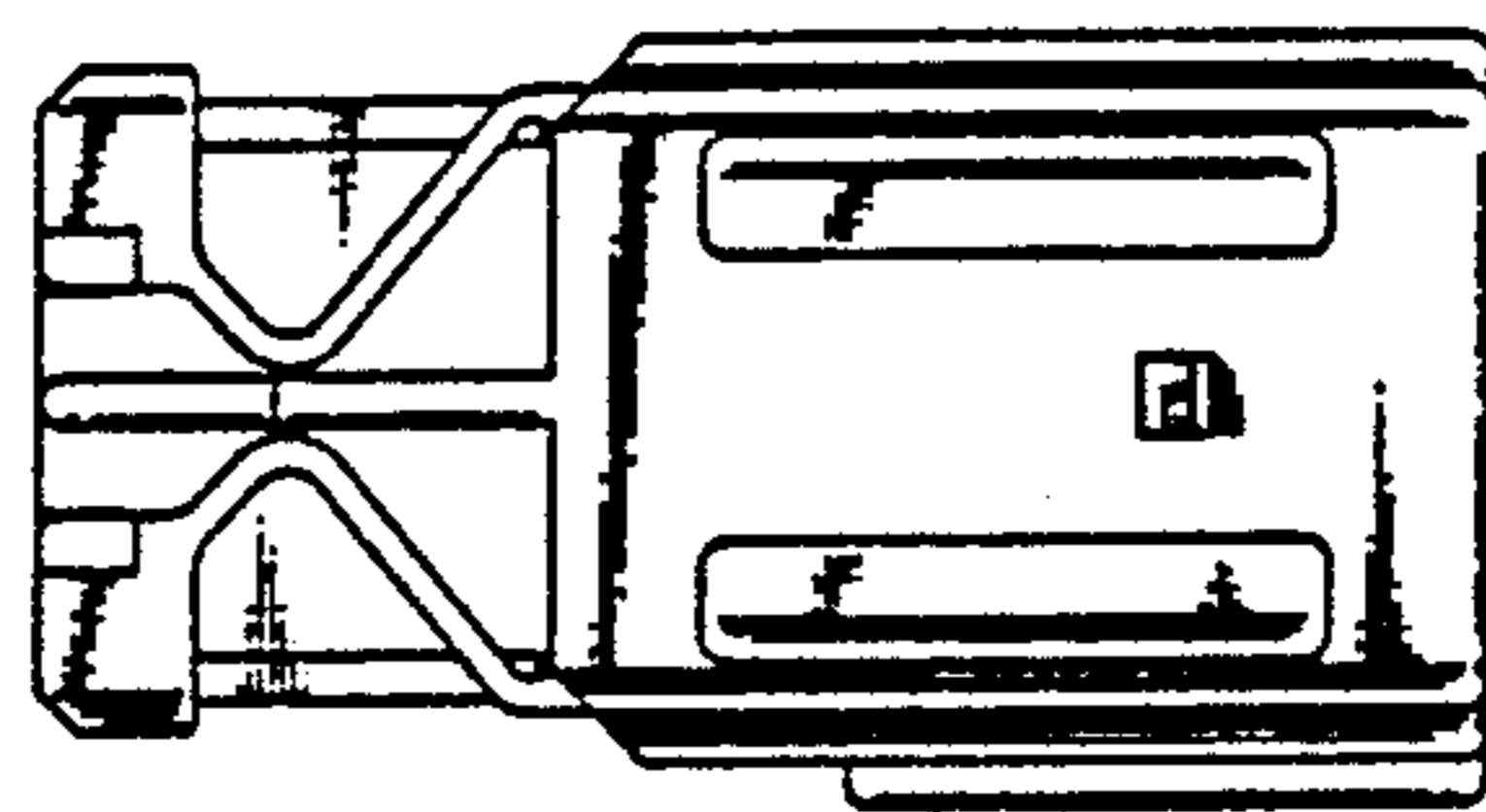


FIG. 4

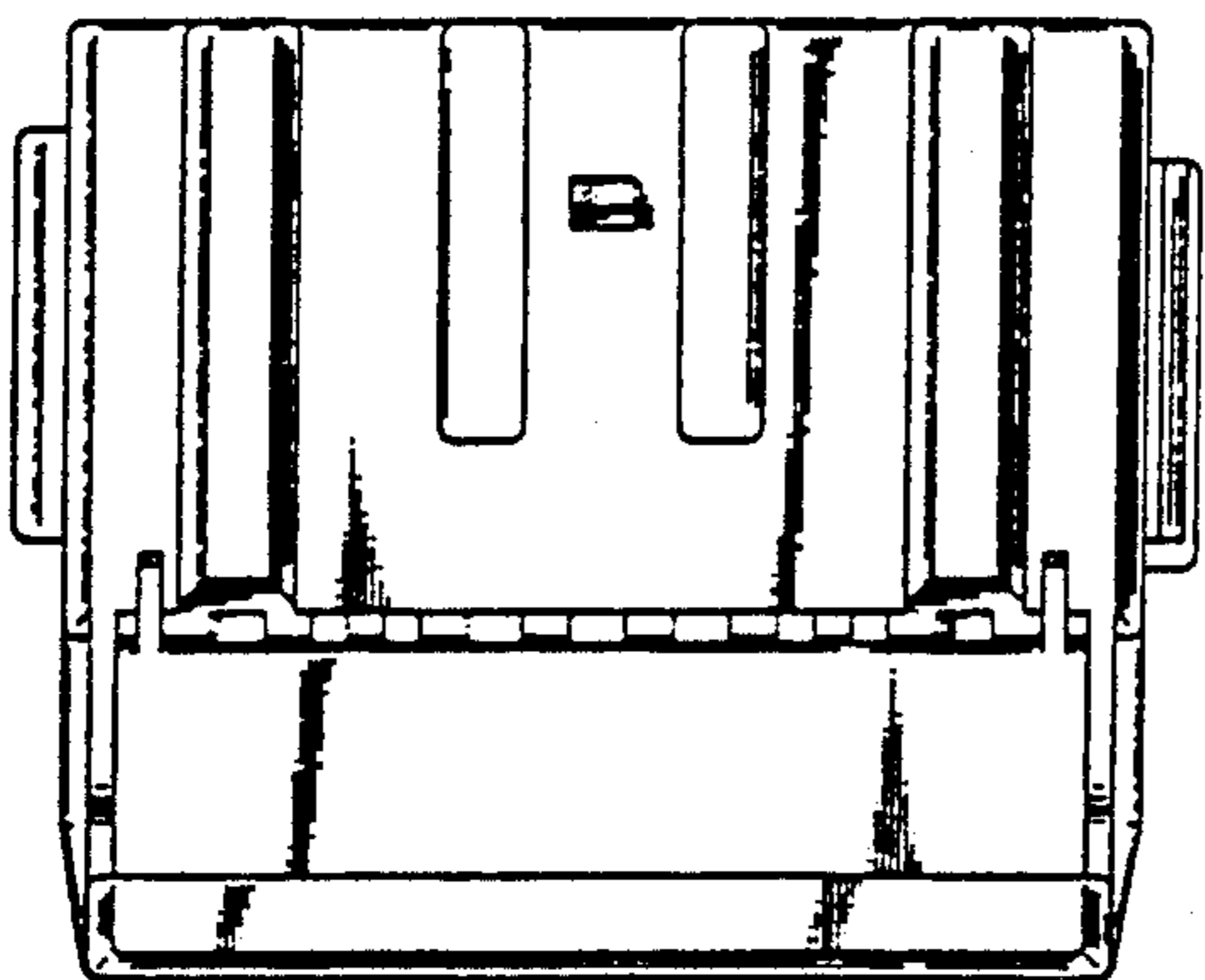


FIG. 7

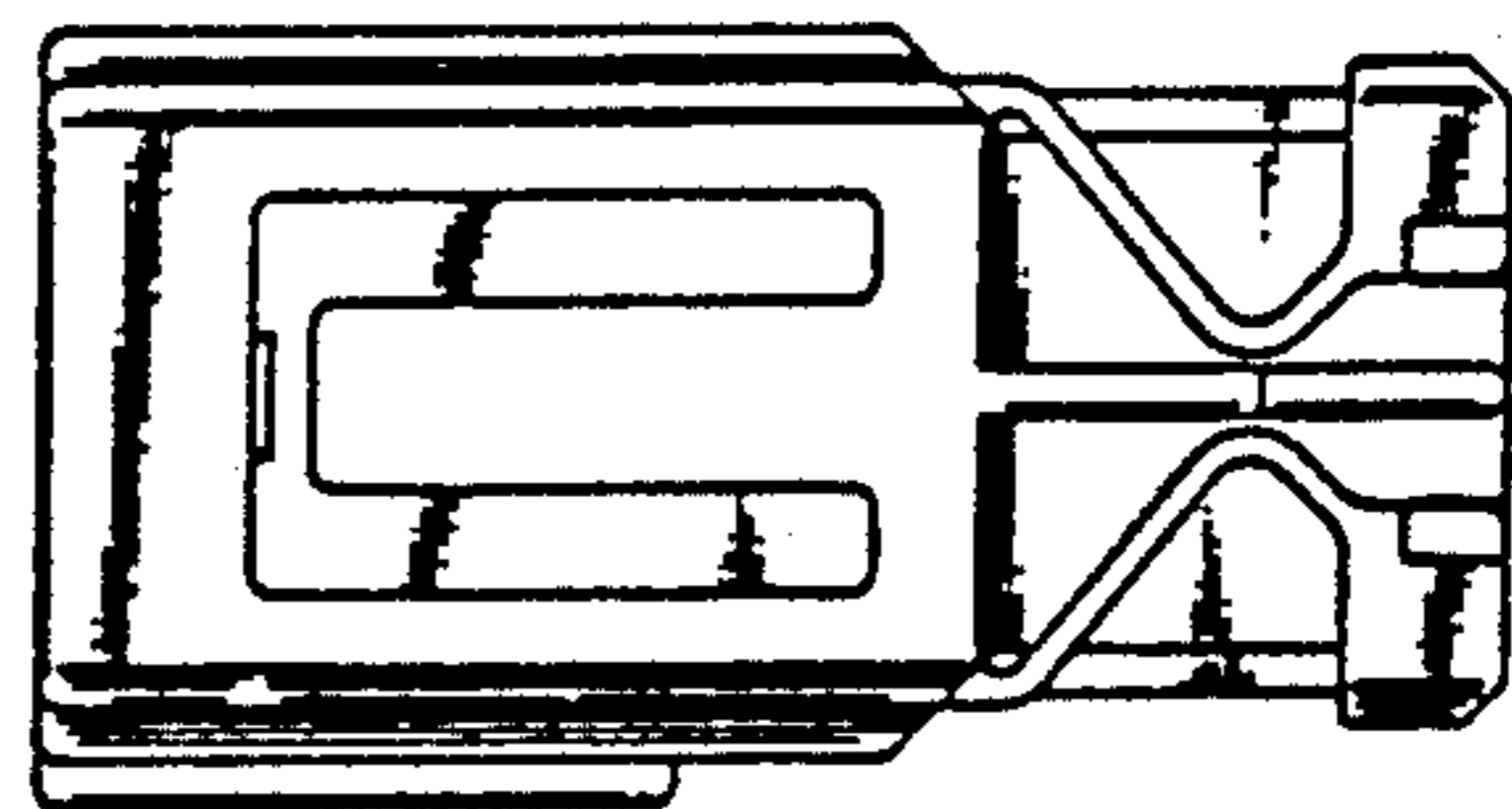


FIG. 5

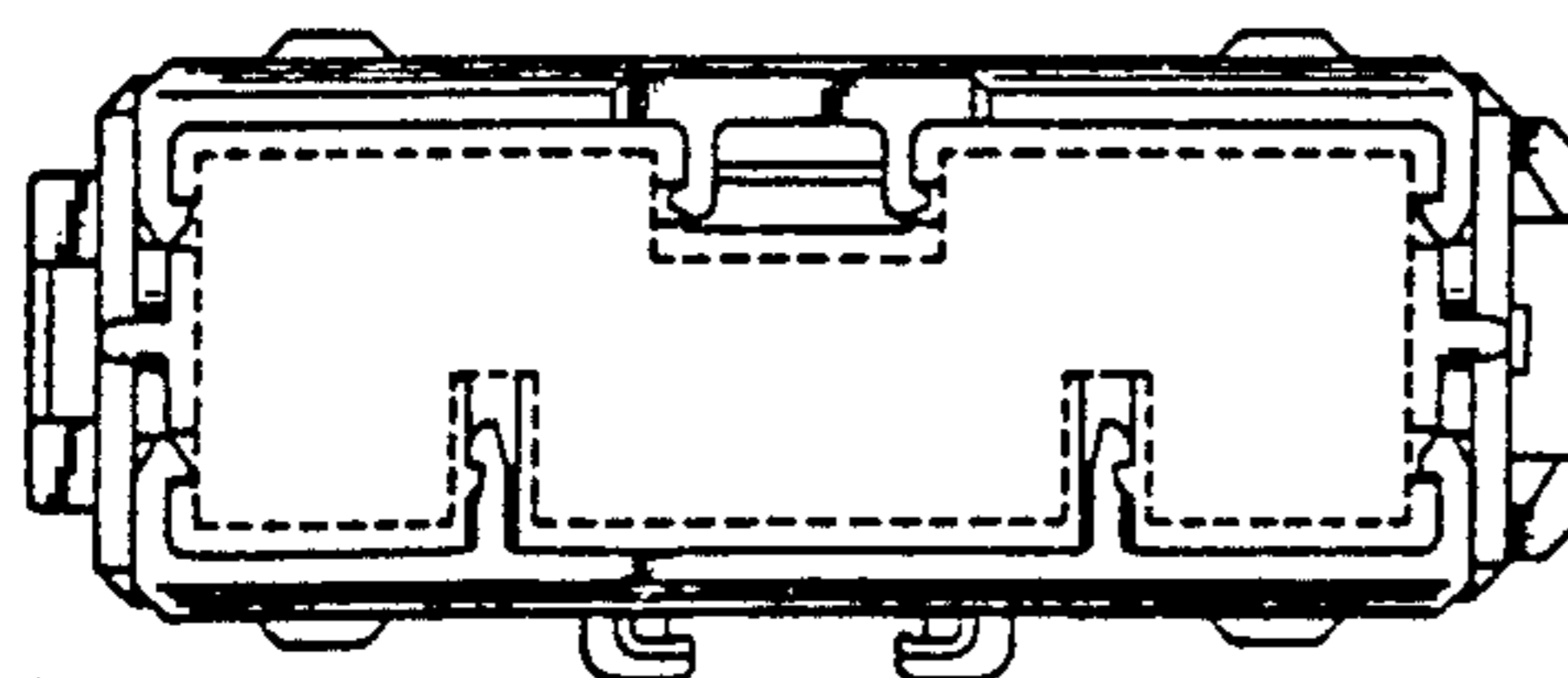


FIG. 8

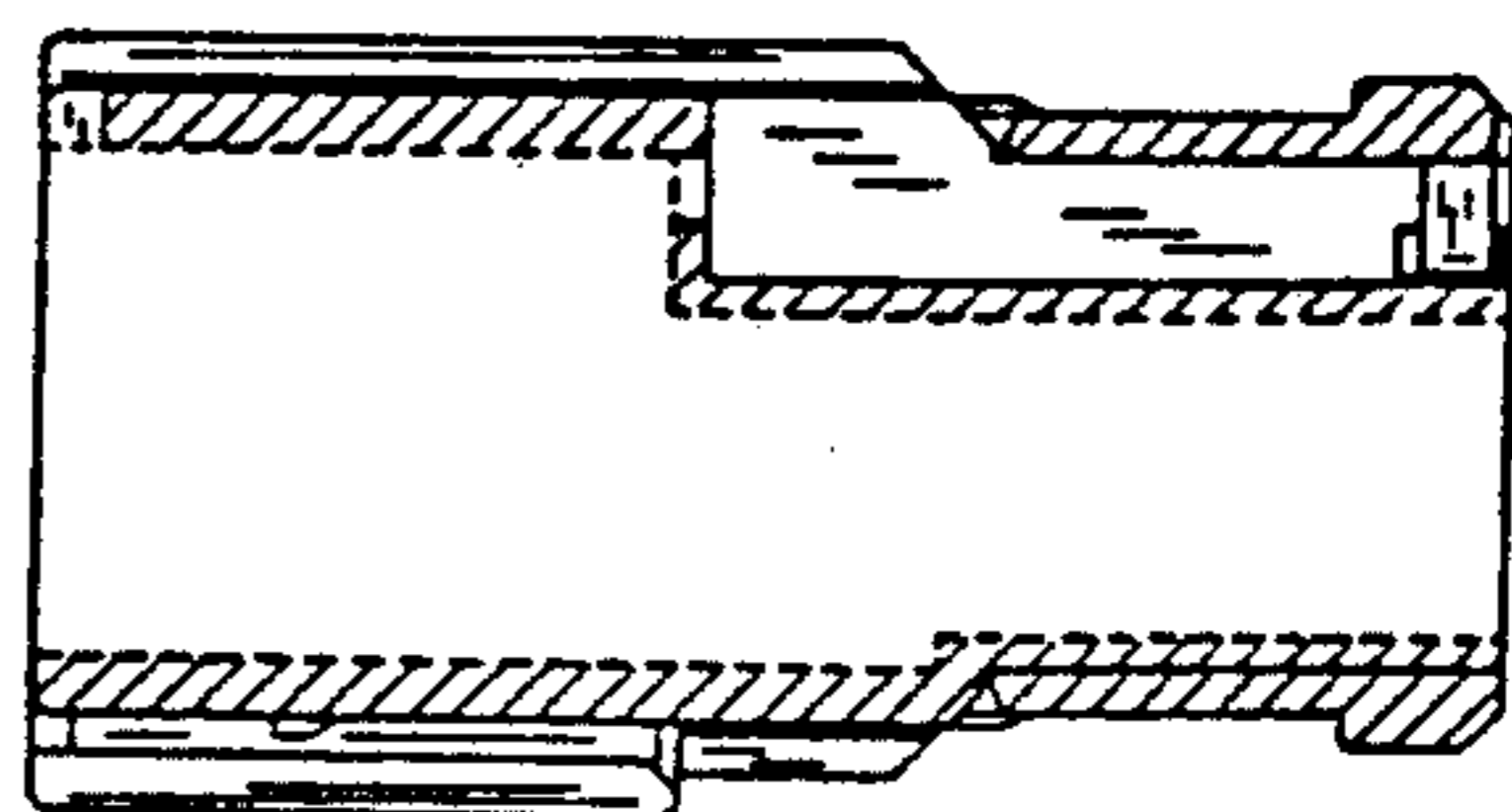


FIG. 10

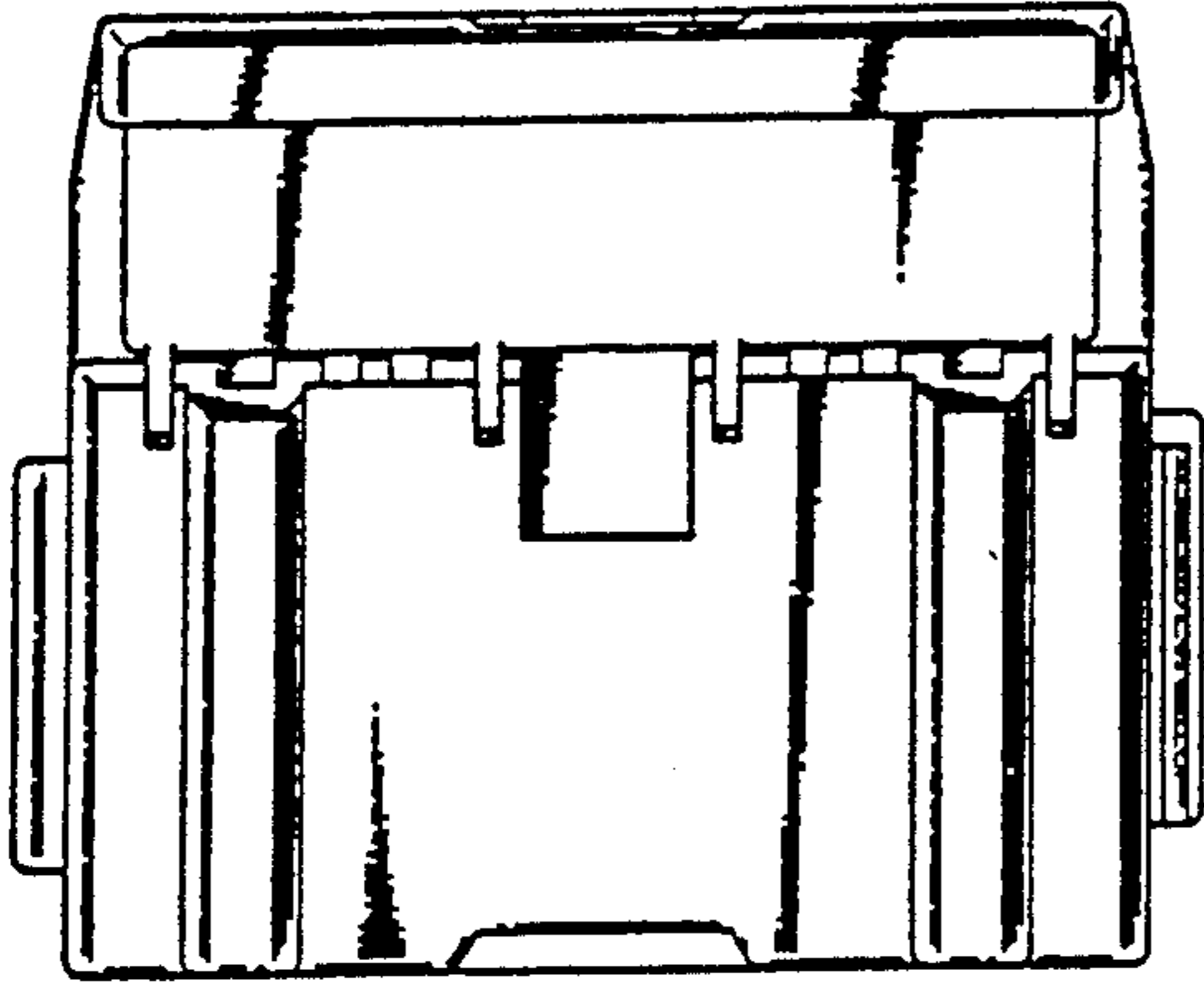


FIG. 9

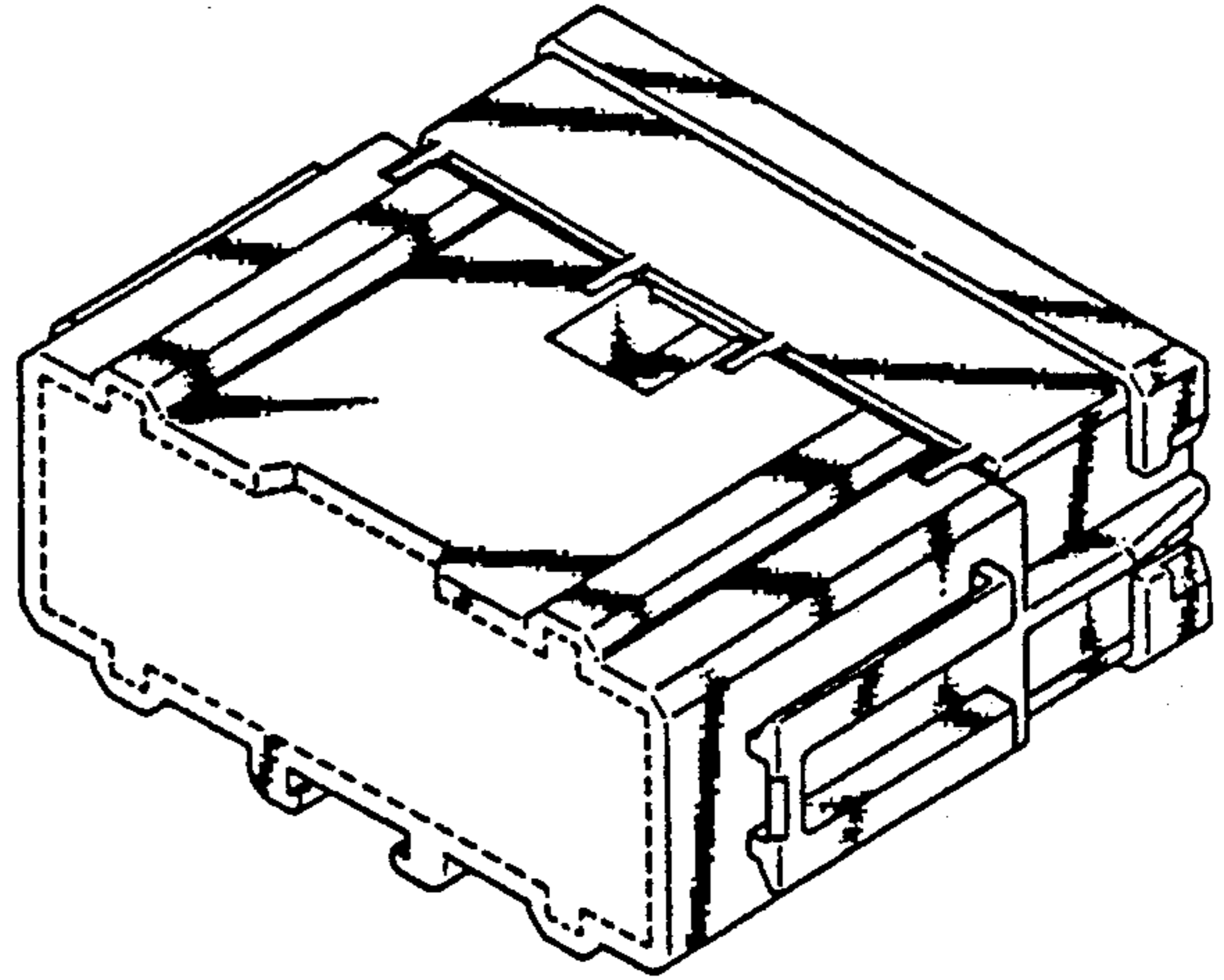


FIG. 11

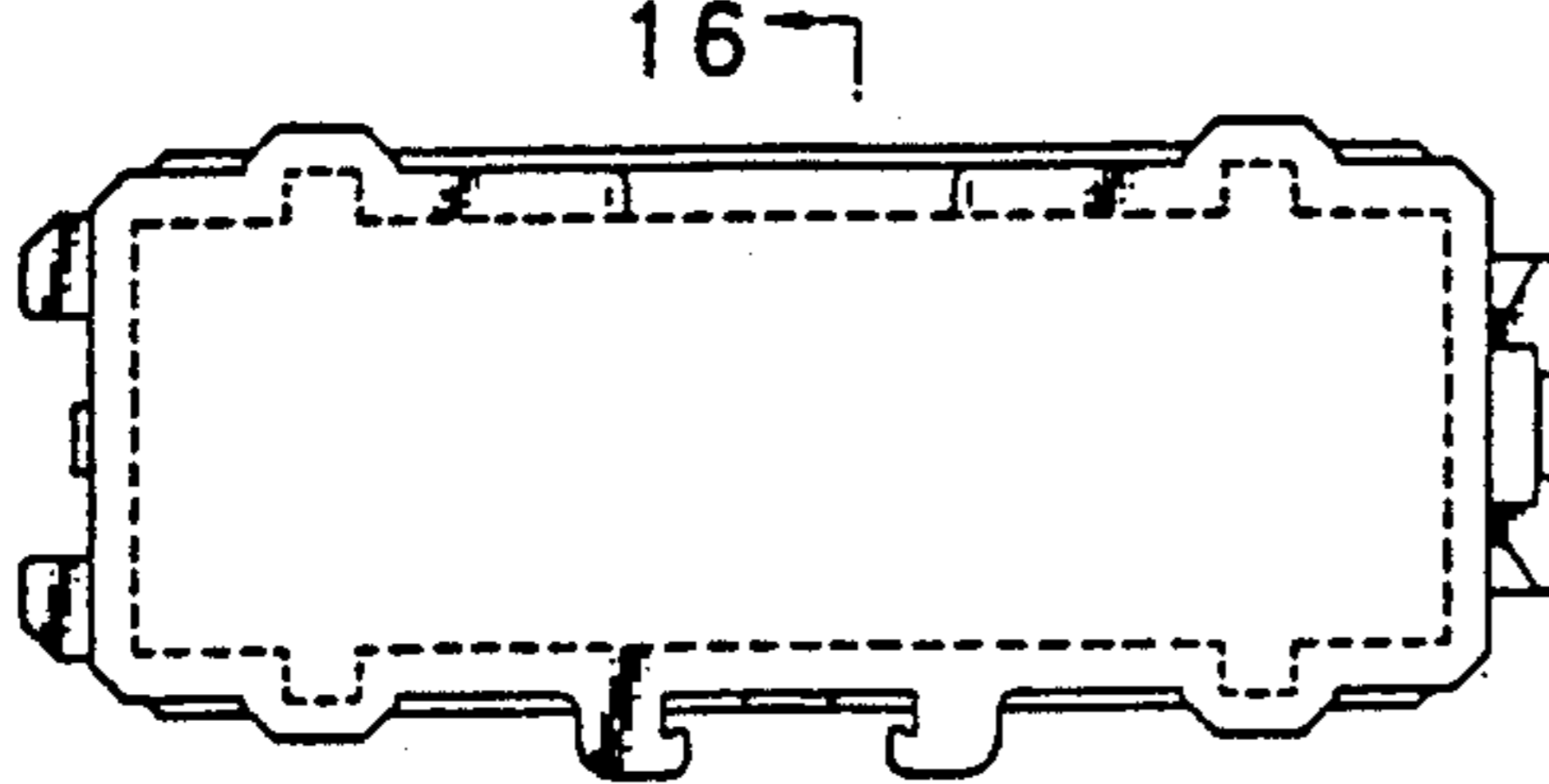


FIG. 14

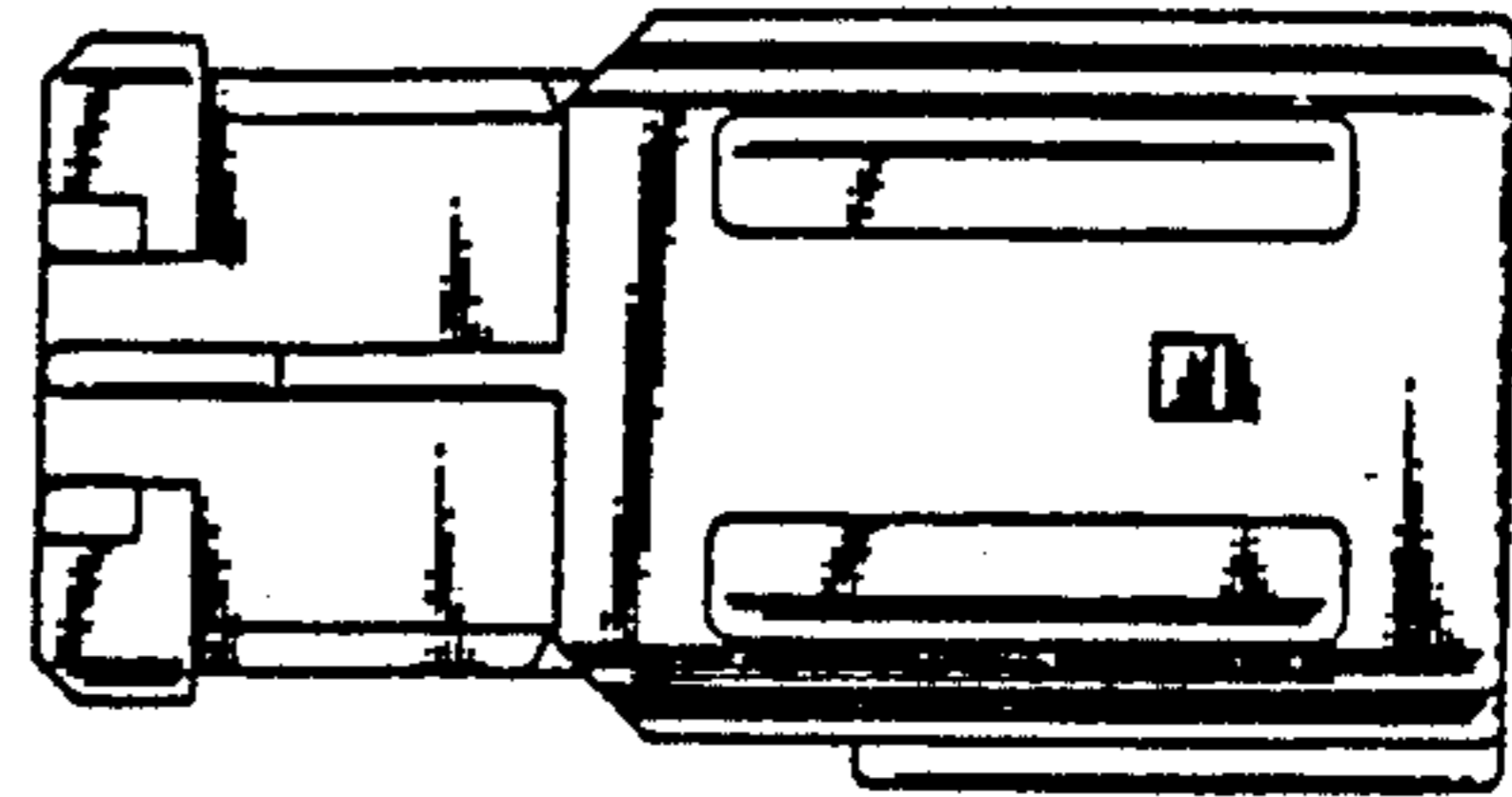


FIG. 12

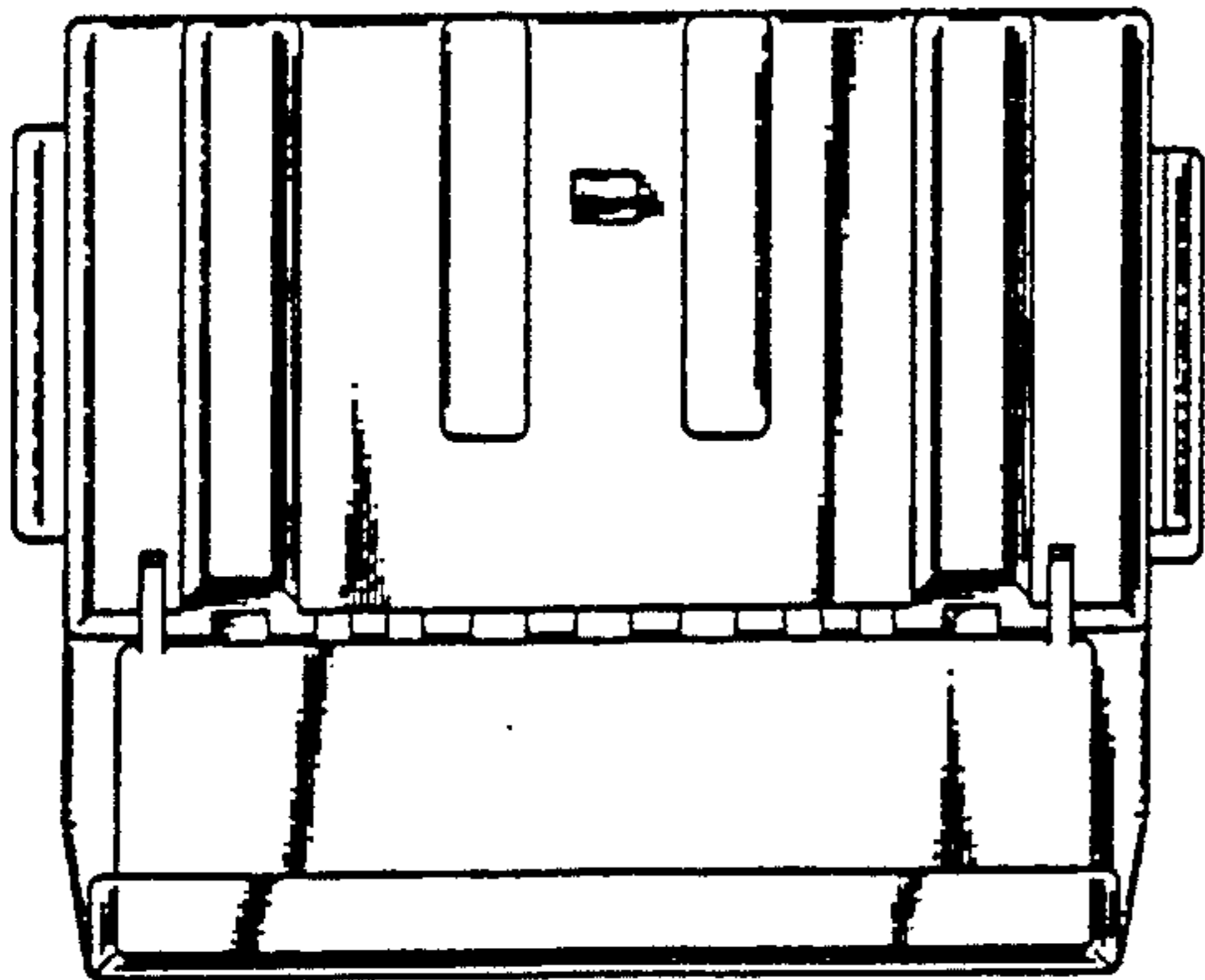


FIG. 15

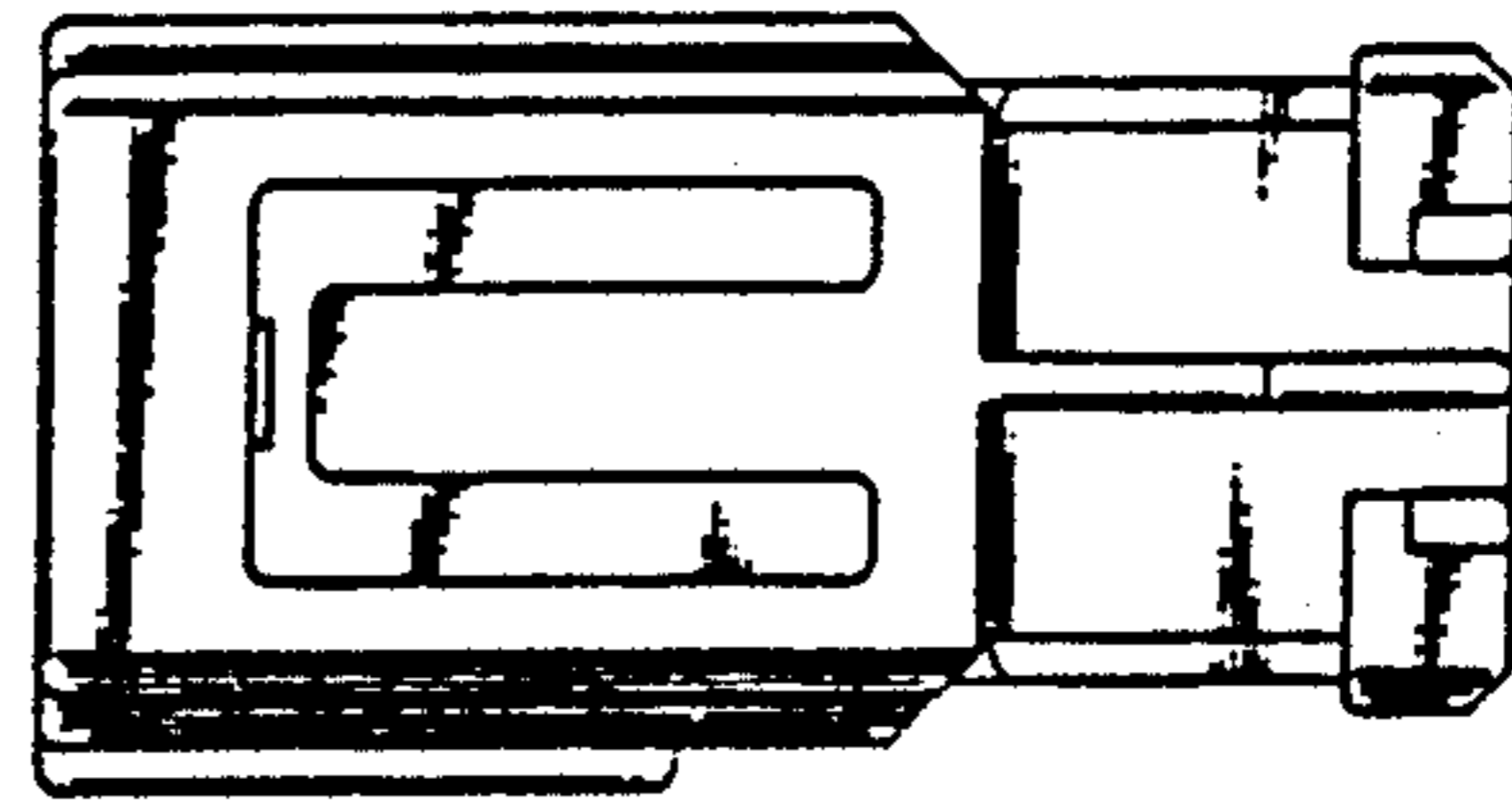


FIG. 13

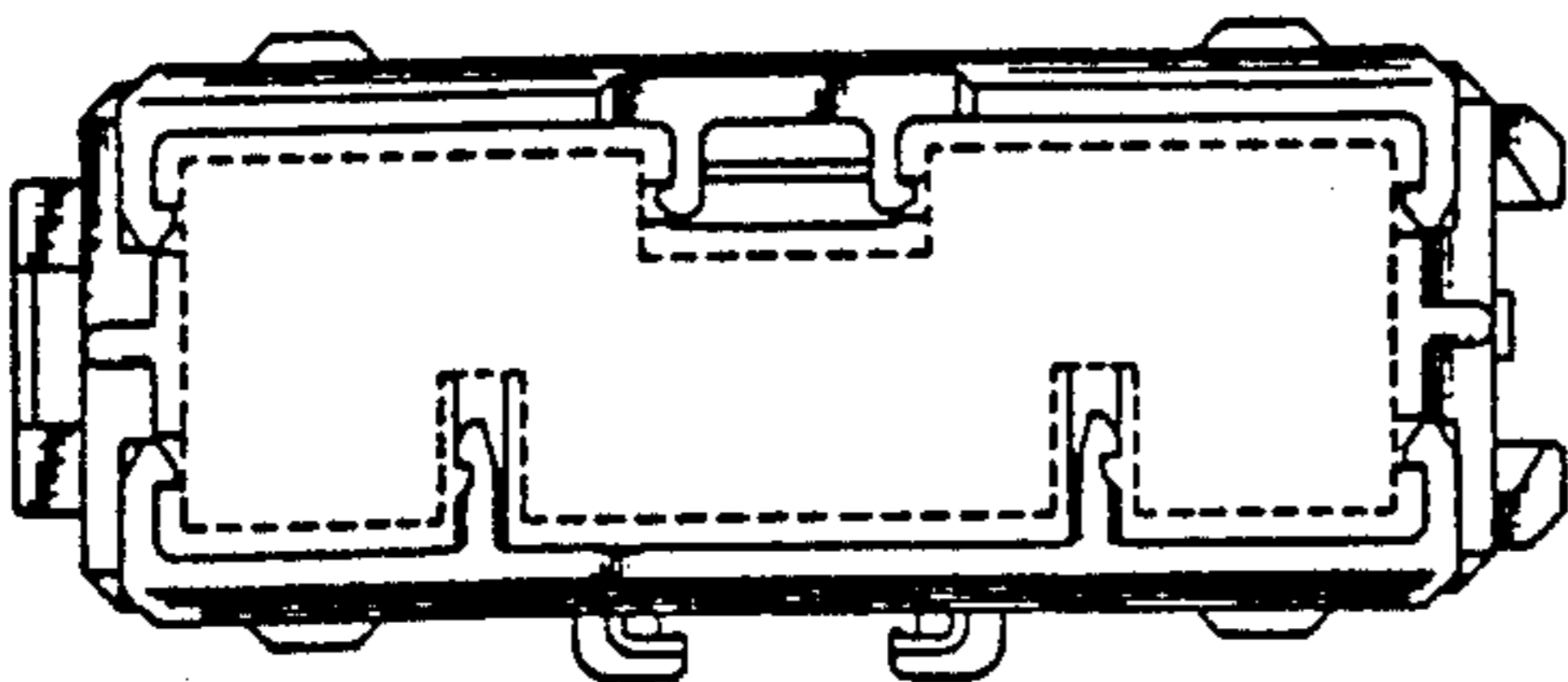


FIG. 16

