



US00D323645S

# United States Patent [19]

[11] Patent Number: **Des. 323,645**

Suzuki et al.

[45] Date of Patent: **\*\* Feb. 4, 1992**

[54] **HOUSING FOR AN ELECTRICAL CONNECTOR**

[75] Inventors: **Masaji Suzuki, Tsu; Shoichi Sugata, Suzuka; Kiyofumi Ichida, Ichishi**, all of Japan

[73] Assignee: **Sumitomo Wiring Systems, Ltd.**, Yokkaichi, Japan

[\*\*] Term: **14 Years**

[21] Appl. No.: **414,074**

[22] Filed: **Sep. 28, 1989**

[30] **Foreign Application Priority Data**

Jun. 9, 1989 [JP] Japan ..... 1-21409

[52] U.S. Cl. .... **D13/147**

[58] Field of Search ..... **D13/133, 146, 147; 439/271, 275, 279, 282, 293, 297, 350, 352, 353, 357, 358, 571, 586, 587, 589, 595, 596, 598, 600, 680, 682, 685, 686, 687, 695, 701, 724, 744, 748, 752**

[56] **References Cited**

**U.S. PATENT DOCUMENTS**

D. 312,815	12/1990	Yamamoto	.....	D13/147
D. 313,393	1/1991	Yamamoto	.....	D13/146
3,848,951	11/1974	Michaels et al.	.....	439/357
4,602,839	7/1986	Winger	.....	439/358
4,758,182	7/1988	Anbo et al.	.....	439/586 X
4,842,541	6/1989	Leandris	.....	439/282 X
4,867,705	9/1989	Yuasa	.....	439/595
4,946,398	8/1990	Takenouchi et al.	.....	439/595 X

*Primary Examiner*—James M. Gandy

*Assistant Examiner*—J. Sincavage  
*Attorney, Agent, or Firm*—Nils H. Ljungman & Associates

[57] **CLAIM**

The ornamental design for a housing for an electrical connector, as shown and described.

**DESCRIPTION**

FIG. 1 is a front and upper right perspective view of a housing for an electrical connector showing our new design;

FIG. 2 is a top plan view thereof;

FIG. 3 is a front elevational view thereof;

FIG. 4 is a bottom plan view thereof;

FIG. 5 is a right side elevational view thereof, the left side elevational view thereof being a mirror image;

FIG. 6 is a rear elevational view thereof;

FIG. 7 is a cross-sectional view thereof taken along line 7—7 of FIG. 3;

FIG. 8 is a front and upper right perspective view of a housing for an electrical connector showing a second embodiment of our new design;

FIG. 9 is a top plan view thereof;

FIG. 10 is a front elevational view thereof;

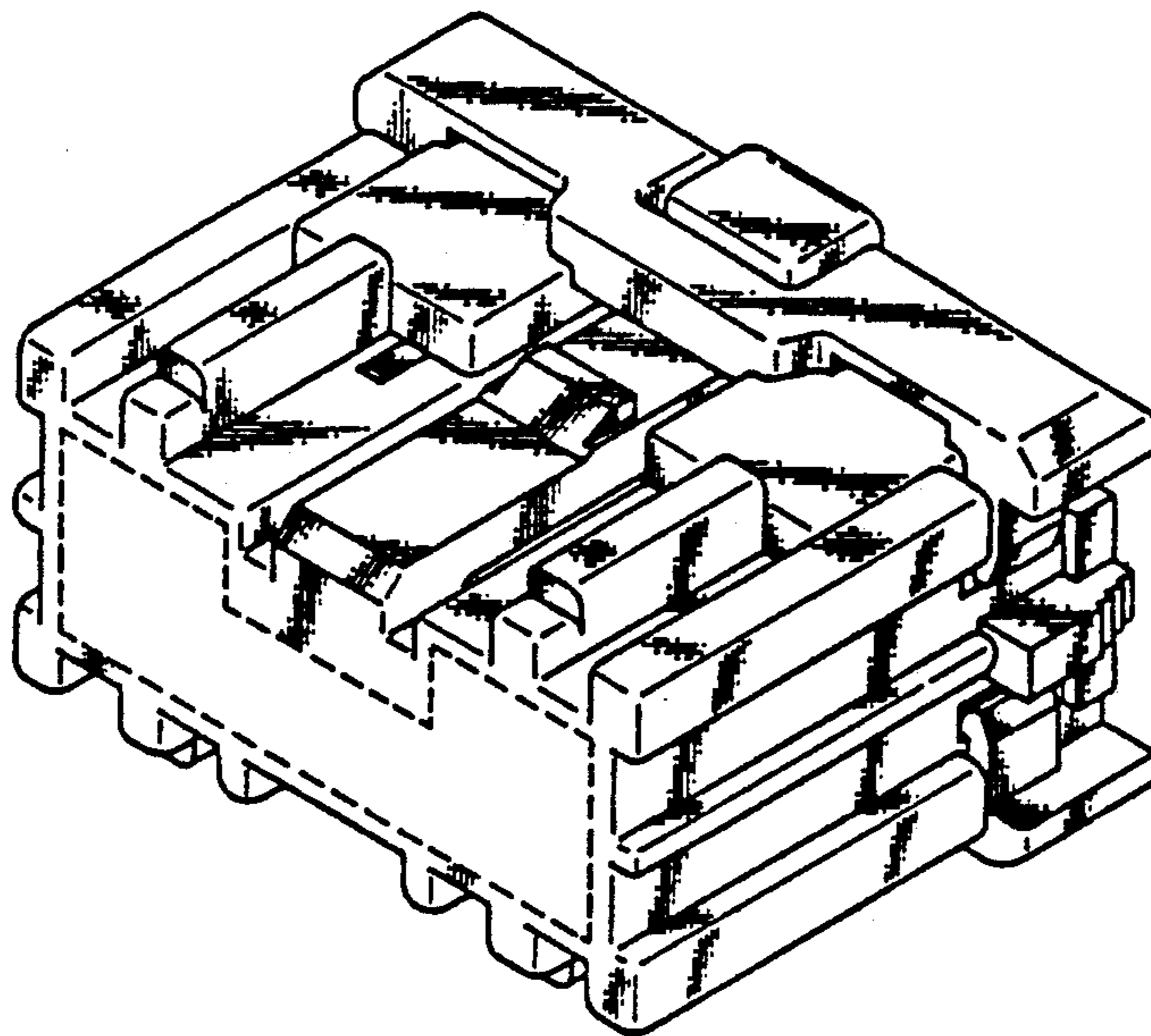
FIG. 11 is a bottom plan view thereof;

FIG. 12 is a right side elevational view thereof, the left side elevational view thereof being a mirror image;

FIG. 13 is a rear elevational view thereof; and

FIG. 14 is a cross-sectional view thereof taken along line 10—10 of FIG. 11.

The broken line showing of the front and rear apertures is included for the purpose of illustrating environmental elements only and forms no part of the claimed design.



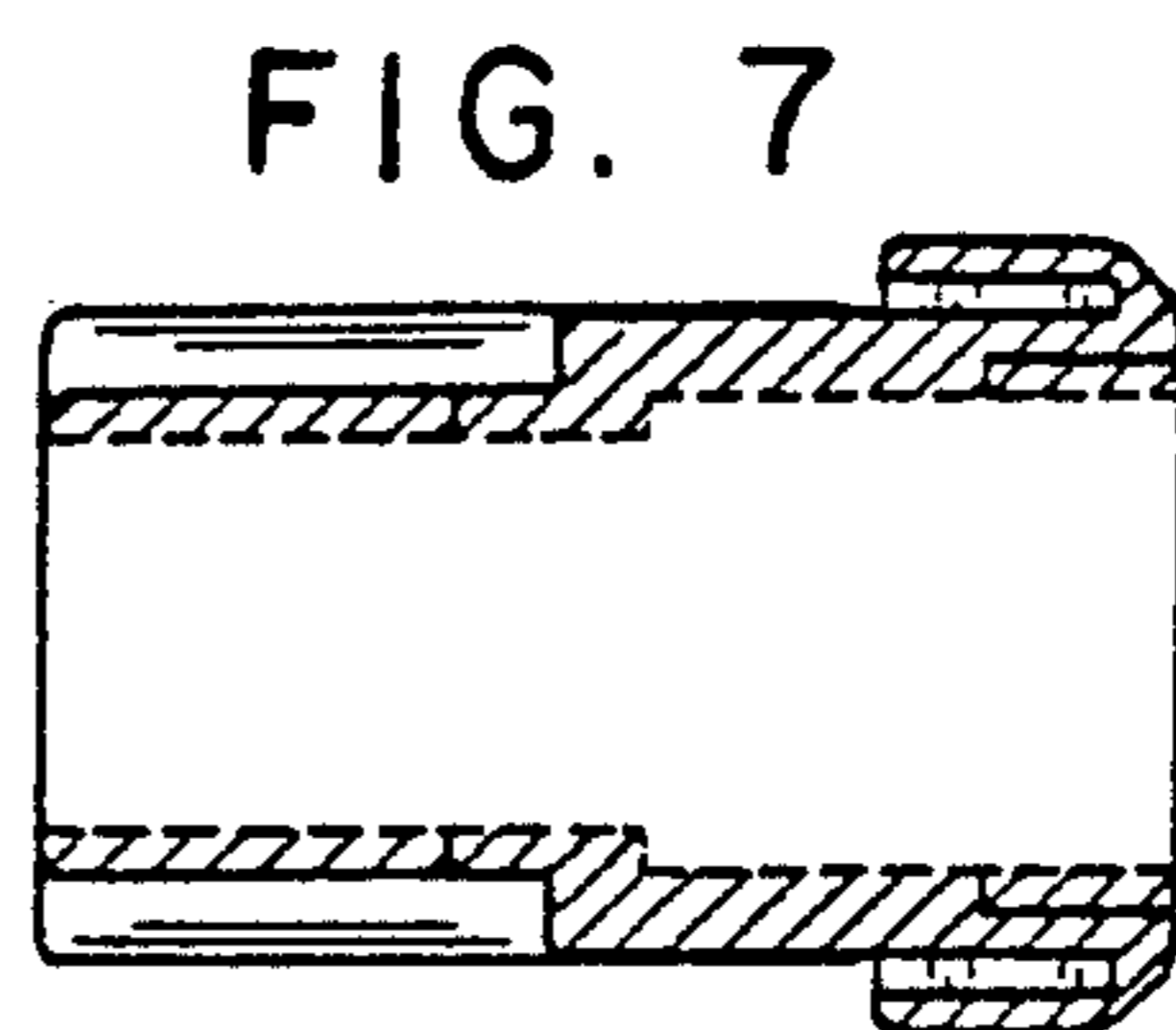
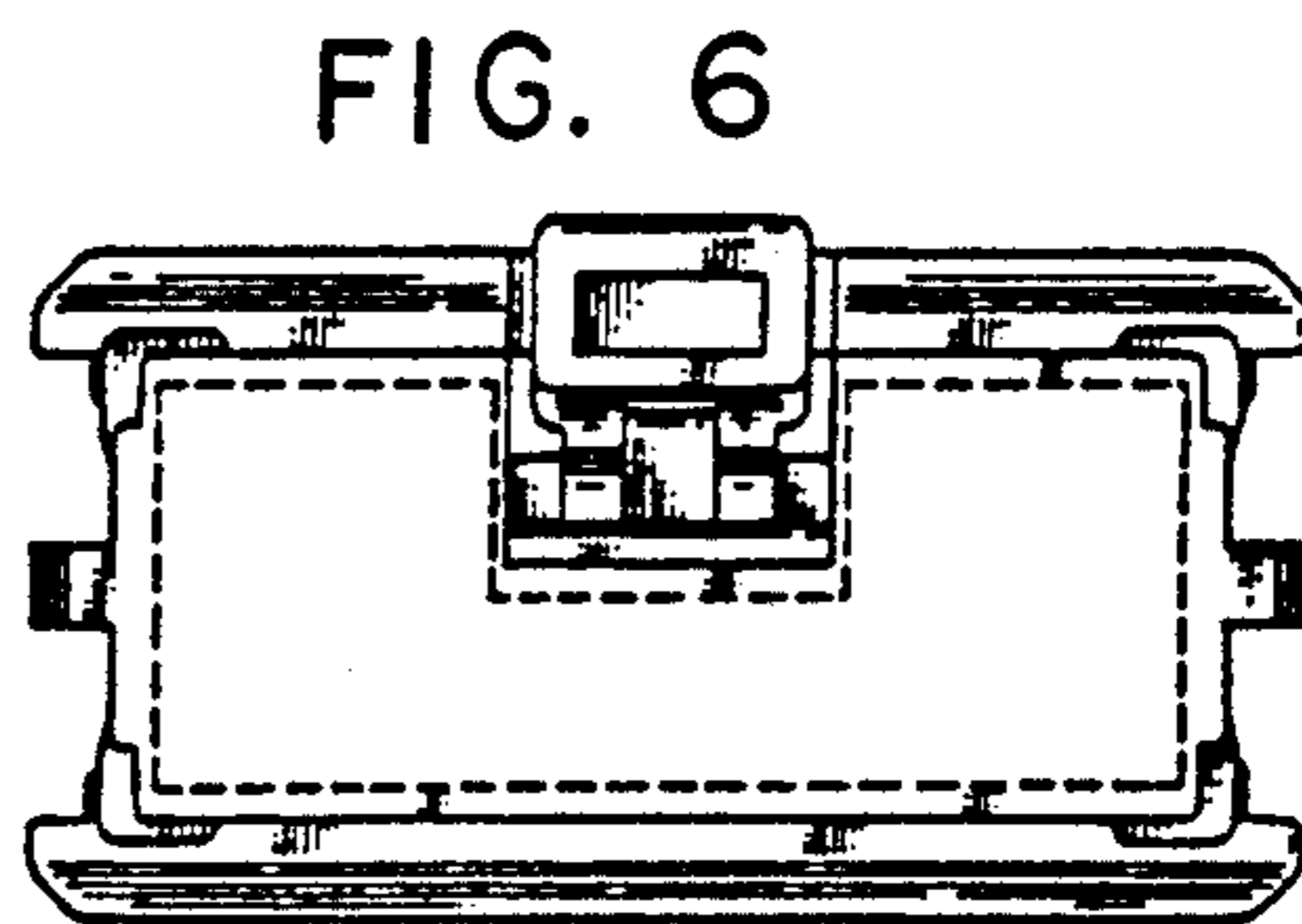
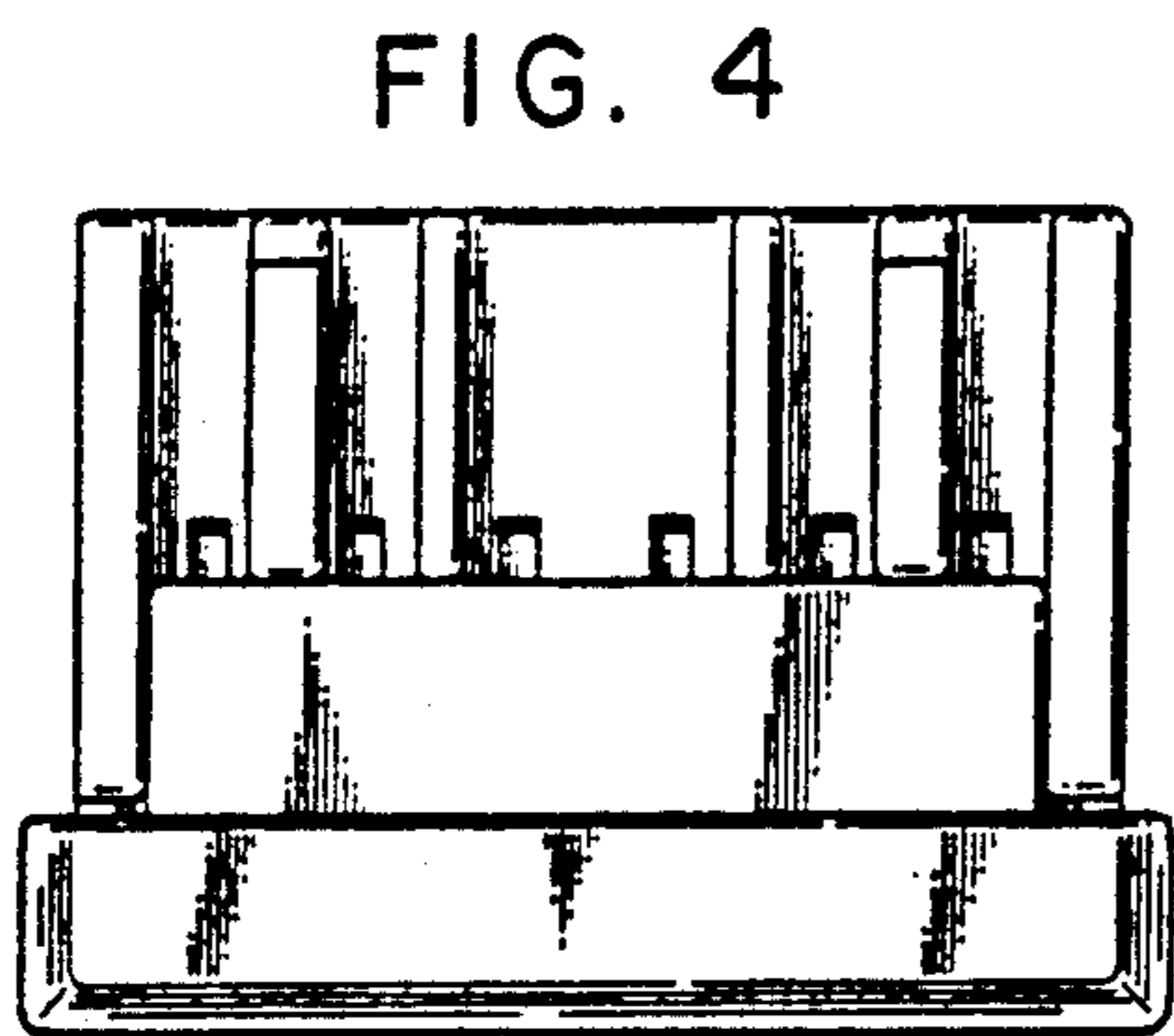
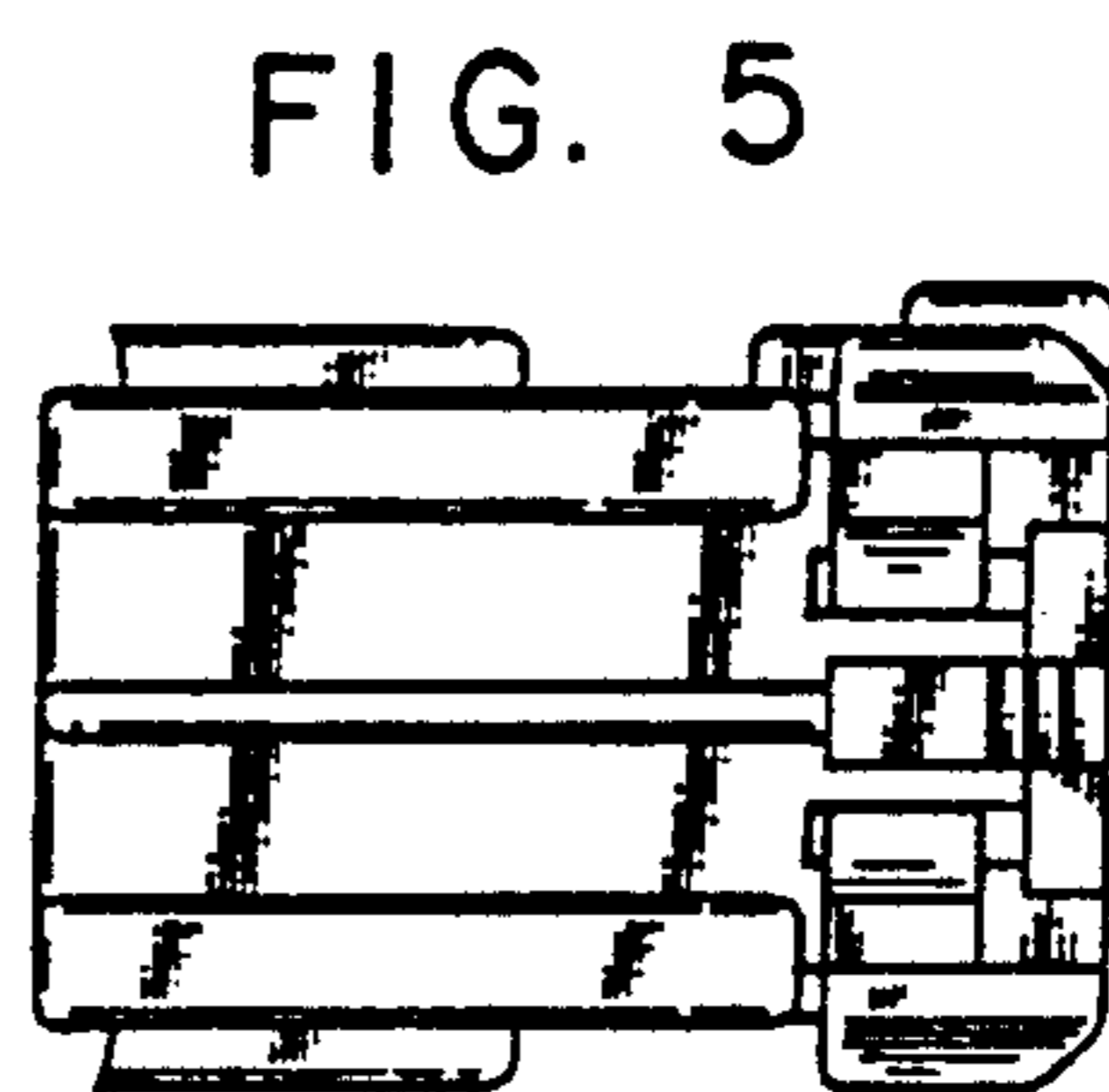
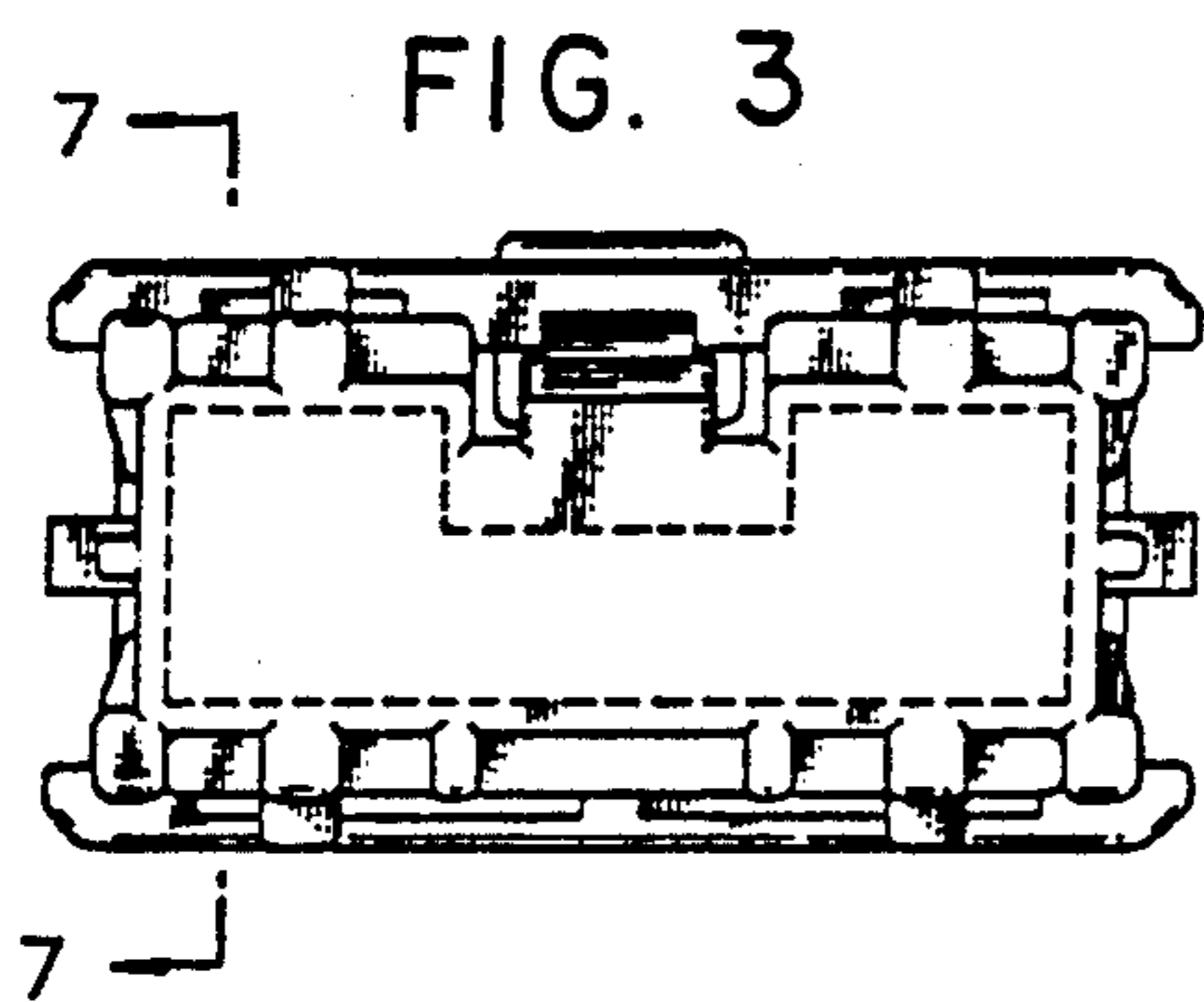
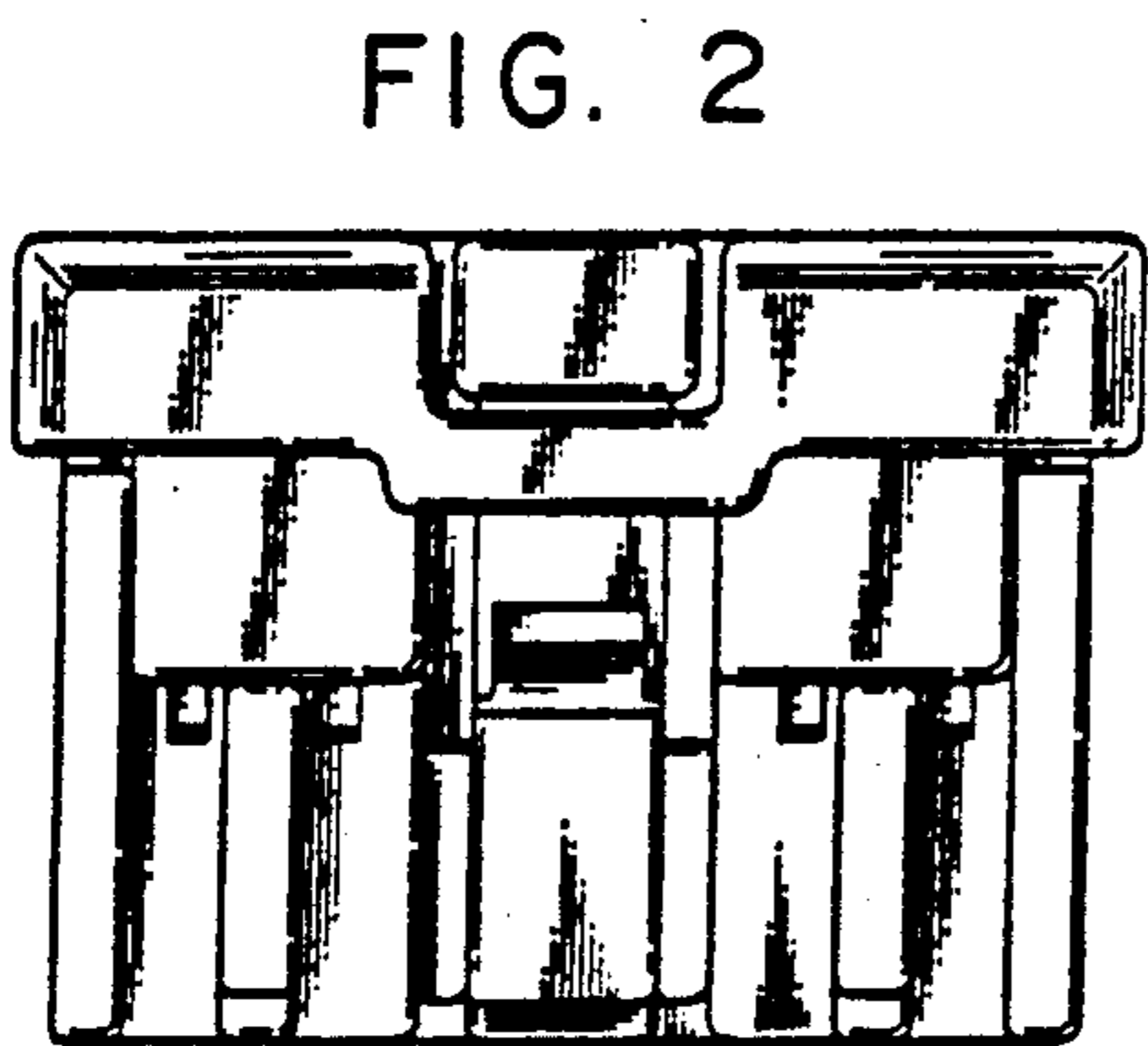
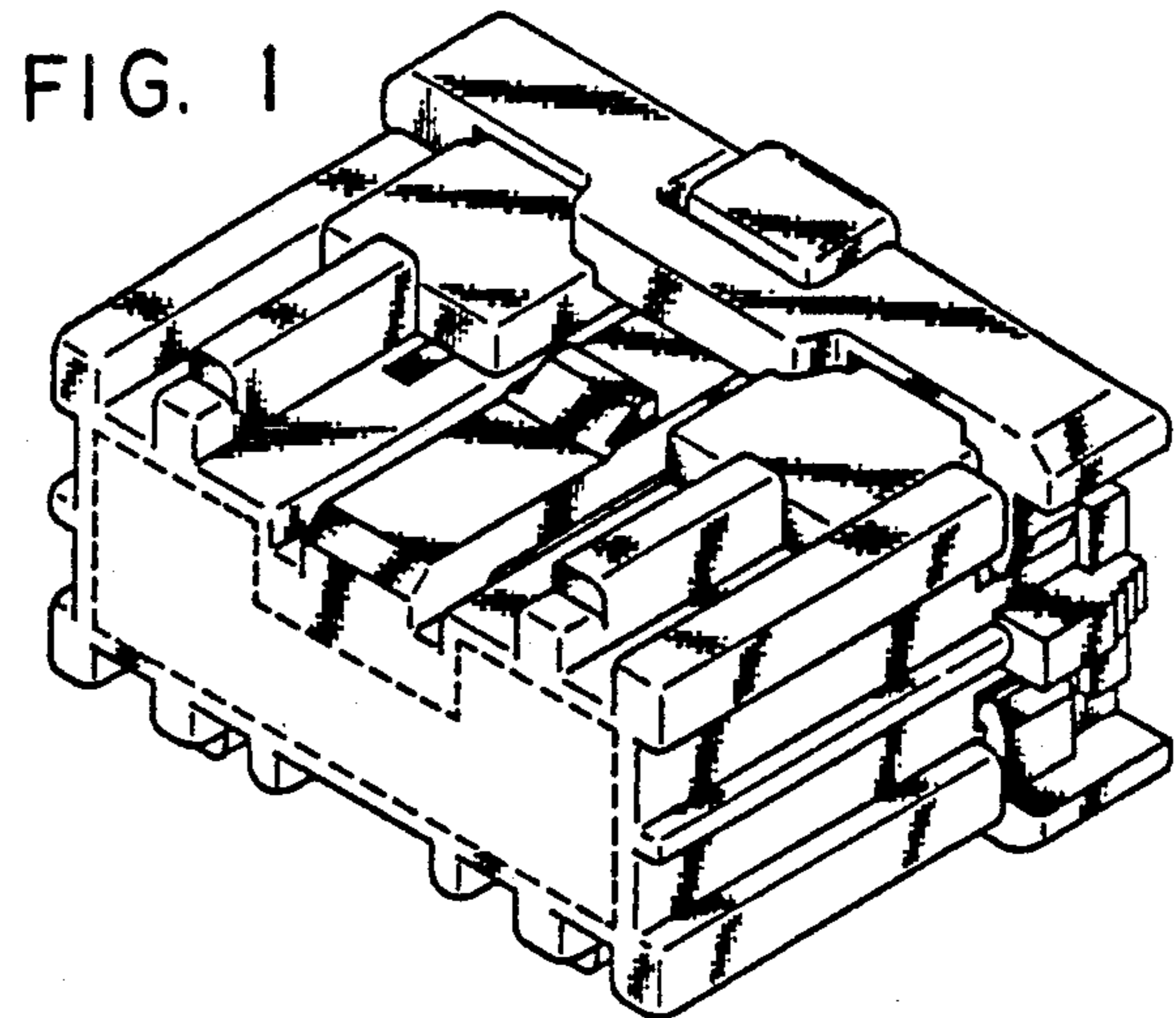


FIG. 9

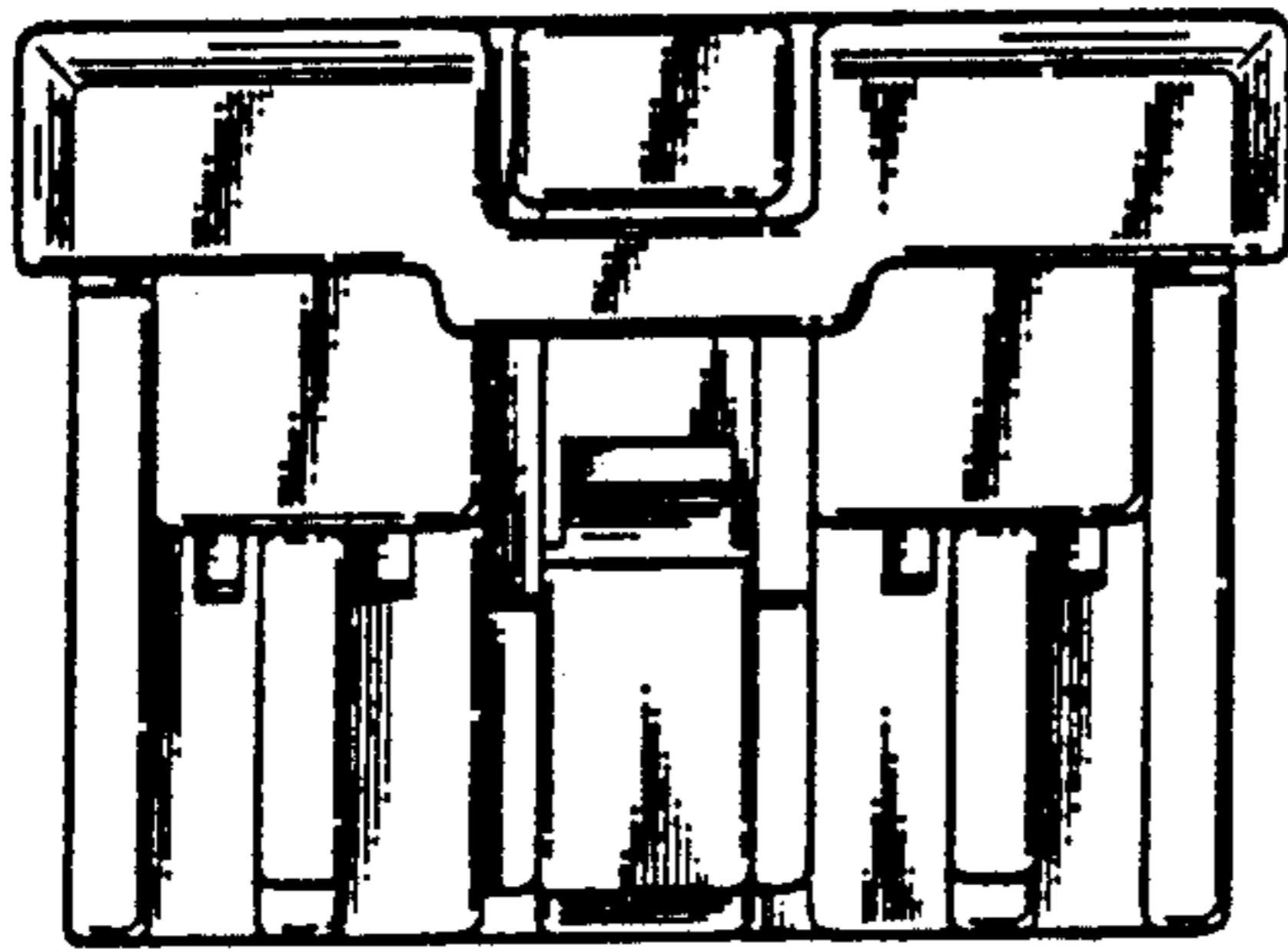


FIG. 8

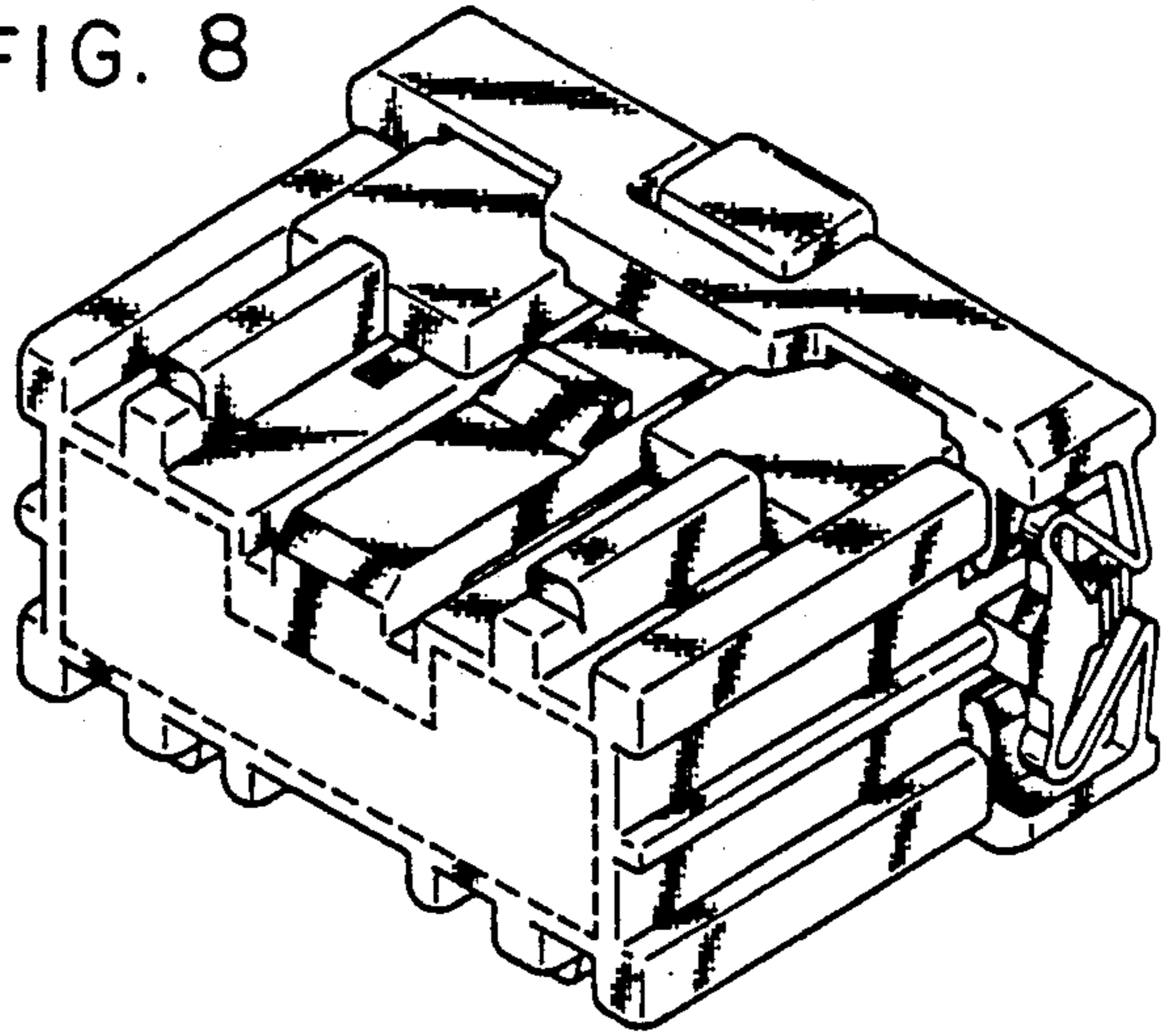


FIG. 10

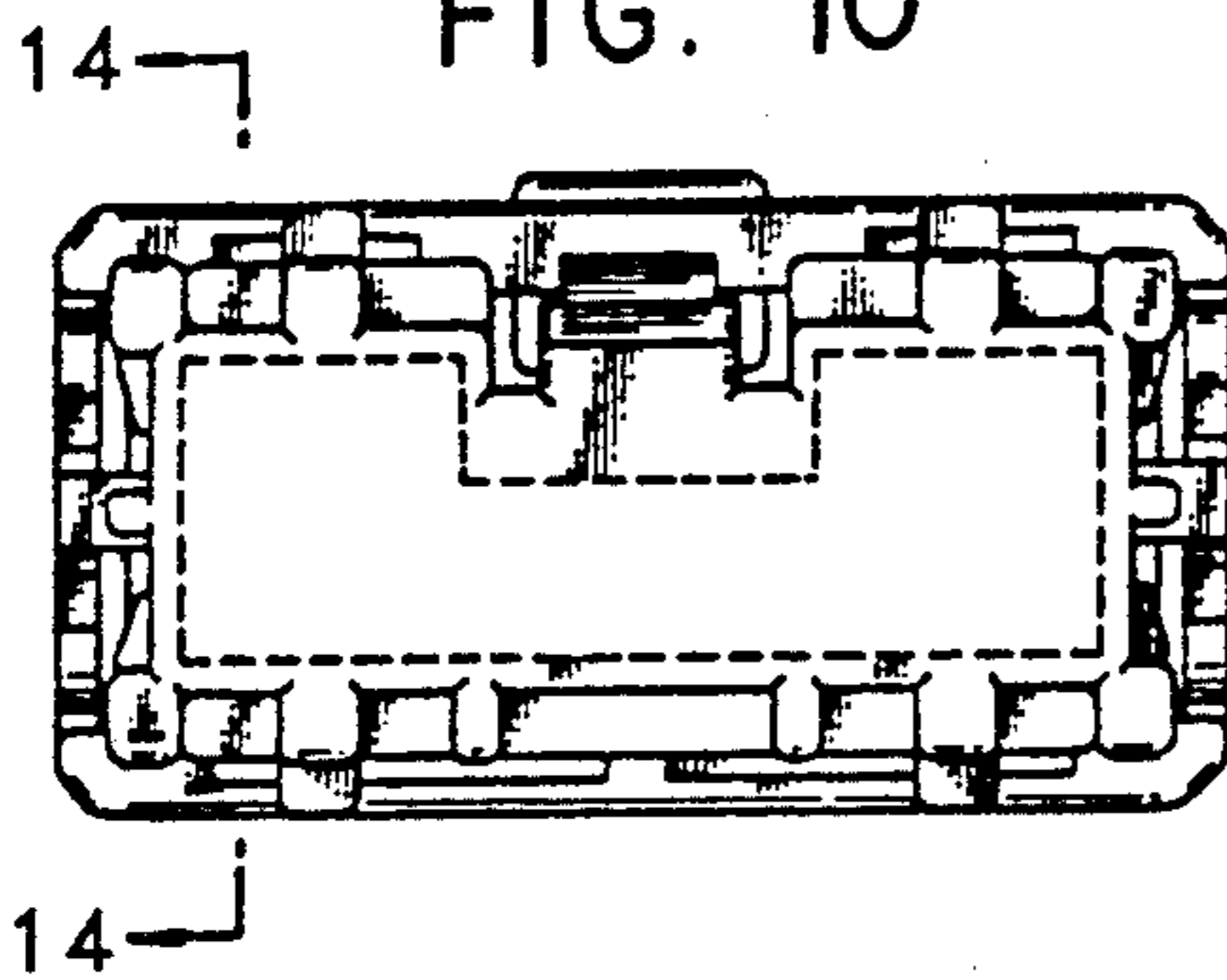


FIG. 12

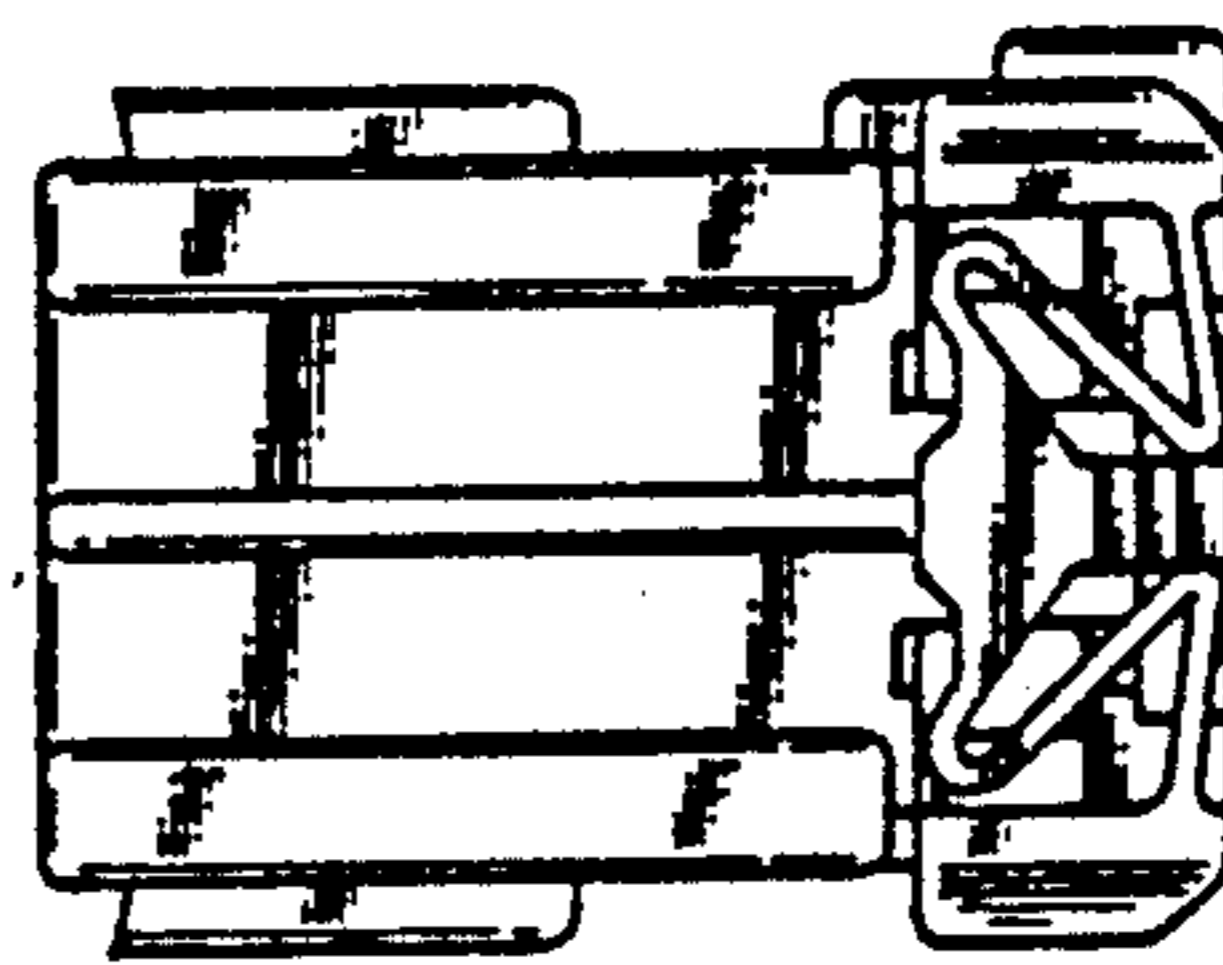


FIG. 11

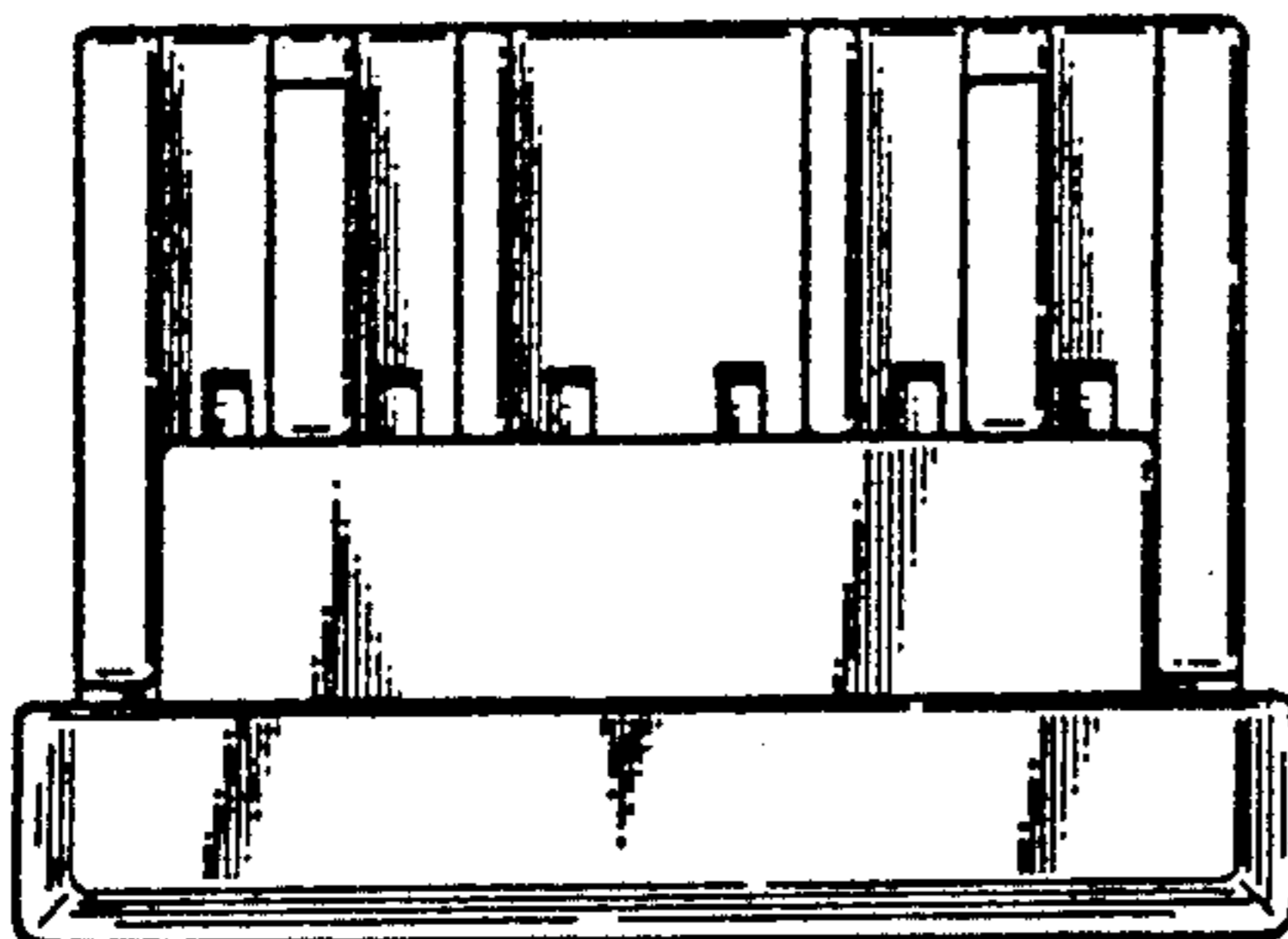


FIG. 13

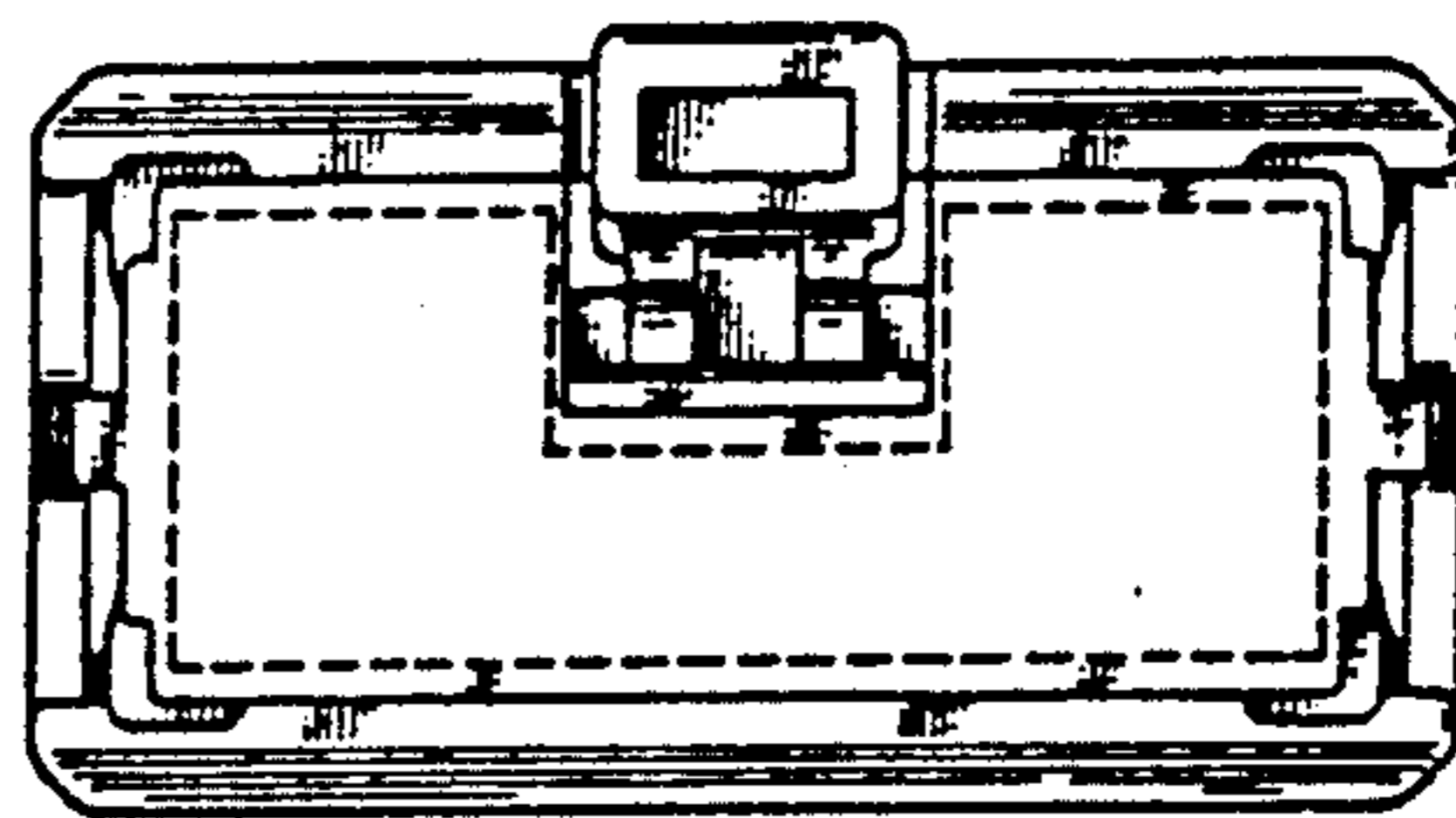


FIG. 14

