



US00D323644S

United States Patent [19]

[11] Patent Number: **Des. 323,644**

Ichida et al.

[45] Date of Patent: **** Feb. 4, 1992**

[54] HOUSING FOR AN ELECTRICAL CONNECTOR

4,657,331	4/1987	Coldern	439/571
4,695,112	9/1987	Maston et al.	439/350
4,711,508	12/1987	Sueyoshi	439/595
4,832,614	5/1989	Jenkins	439/595 X

[75] Inventors: **Kiyofumi Ichida, Utsunomiya; Sadao Kubo, Kanuma, both of Japan**

Primary Examiner—James M. Gandy
Assistant Examiner—J. Sincavage
Attorney, Agent, or Firm—Nils H. Ljungman & Associates

[73] Assignee: **Sumitomo Wiring Systems, Ltd., Yokkaichi, Japan**

[**] Term: **14 Years**

[57] **CLAIM**

[21] Appl. No.: **441,400**

The ornamental design for a housing for an electrical connector, as shown and described.

[22] Filed: **Nov. 22, 1989**

DESCRIPTION

[30] Foreign Application Priority Data

Jun. 14, 1989 [JP] Japan 1-21933

[52] U.S. Cl. **D13/146**

[58] Field of Search D13/133, 146, 147;
439/271, 275, 279, 282, 293, 297, 350, 352, 353,
357, 358, 571, 586, 587, 589, 595, 596, 598, 600,
680, 682, 685, 686, 687, 695, 701, 724, 744, 748,
752

FIG. 1 is a front and upper left perspective view of a housing for an electrical connector showing our new design;

FIG. 2 is a top plan view thereof;

FIG. 3 is a front elevational view thereof;

FIG. 4 is a bottom plan view thereof;

FIG. 5 is a right side elevational view thereof, the left side elevational view thereof being a mirror image;

FIG. 6 is a rear elevational view thereof; and

FIG. 7 is a cross-sectional view thereof taken along line 7—7 of FIG. 3.

The broken line showing of the front and rear apertures is included for the purpose of illustrating environmental elements only and forms no part of the claimed design.

[56] References Cited

U.S. PATENT DOCUMENTS

D. 310,993	10/1990	Ohkura et al.	D13/146
3,501,736	3/1970	Norris	439/353
4,017,141	4/1977	Bury et al.	439/596

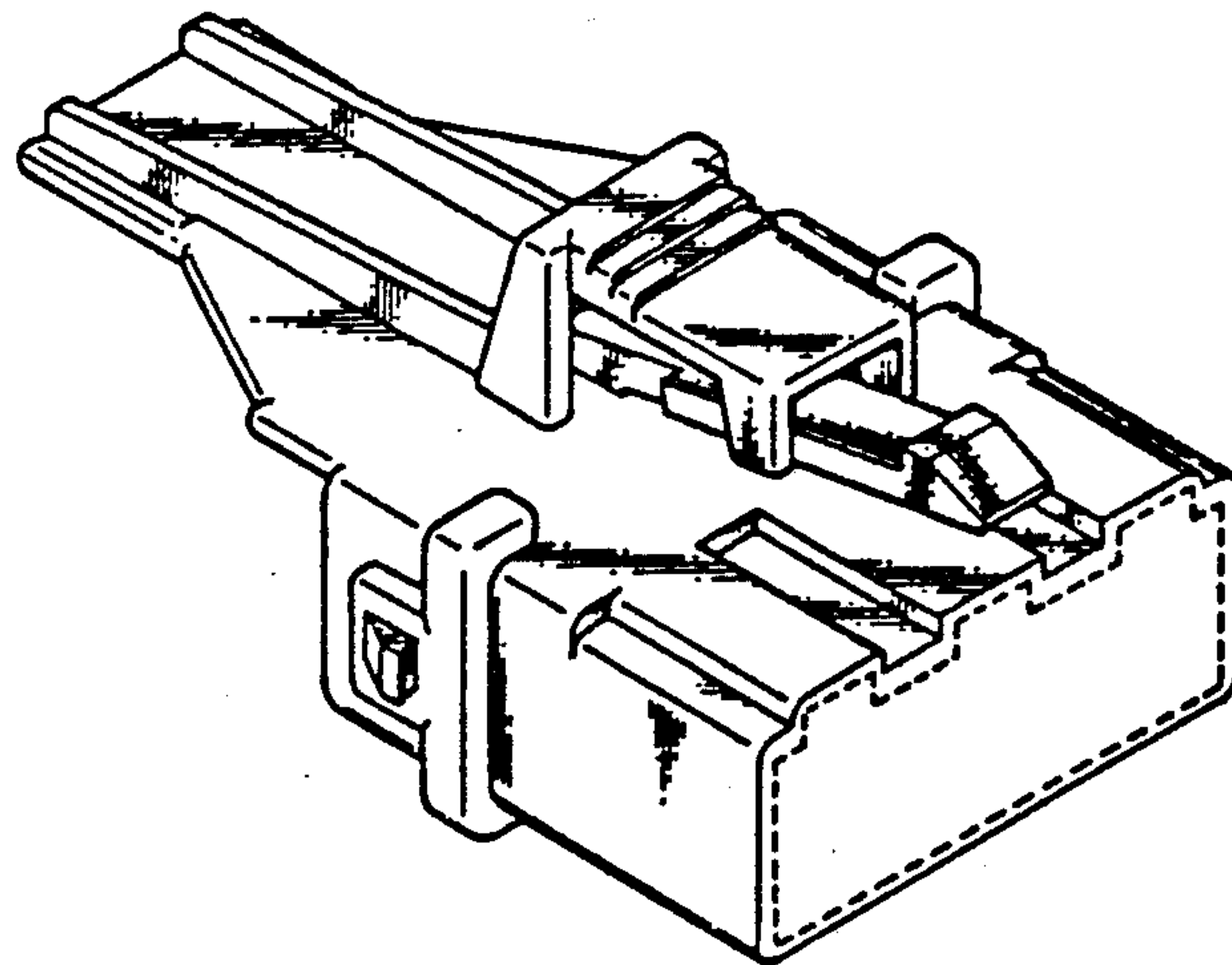


FIG. 2

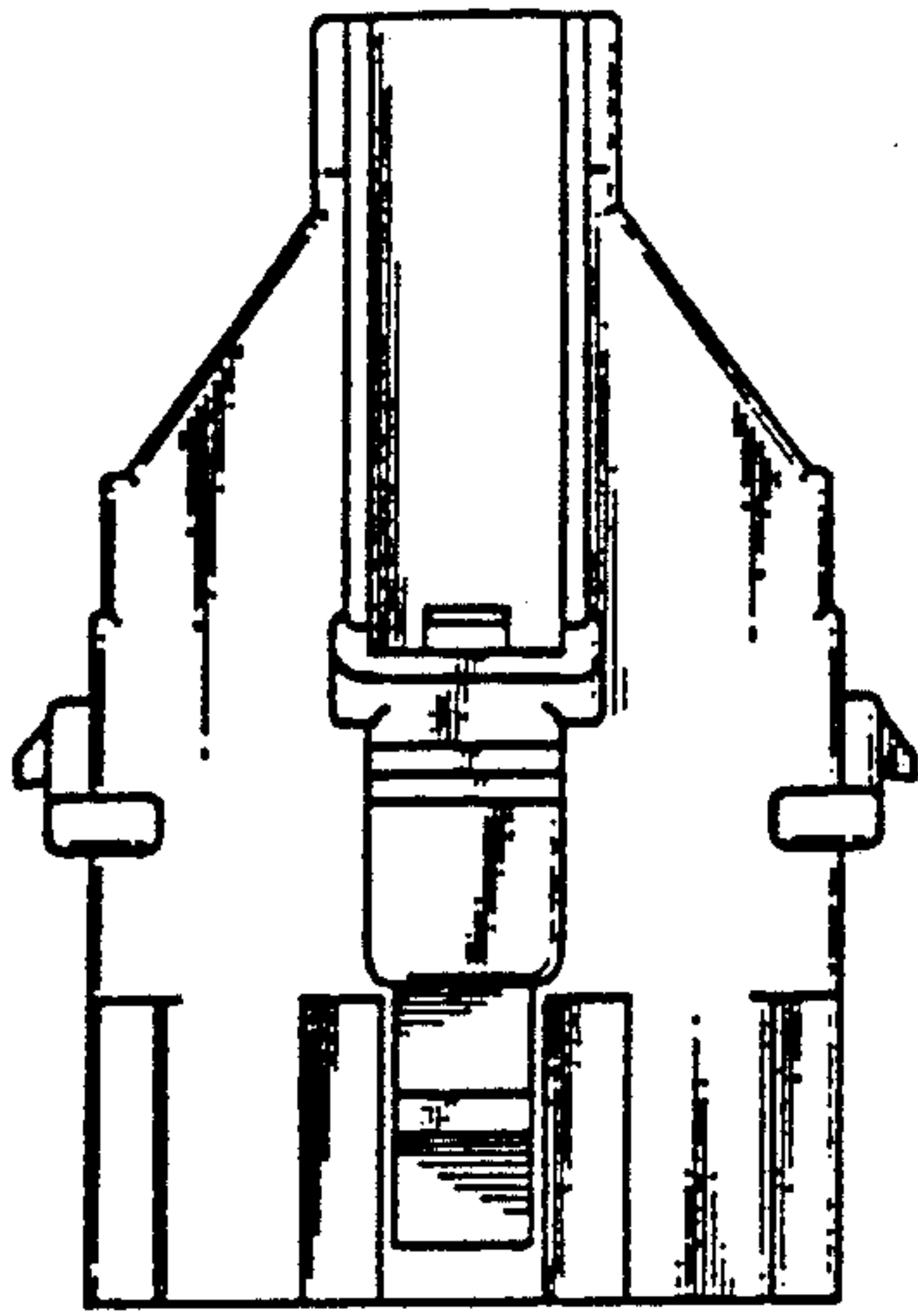


FIG. 1

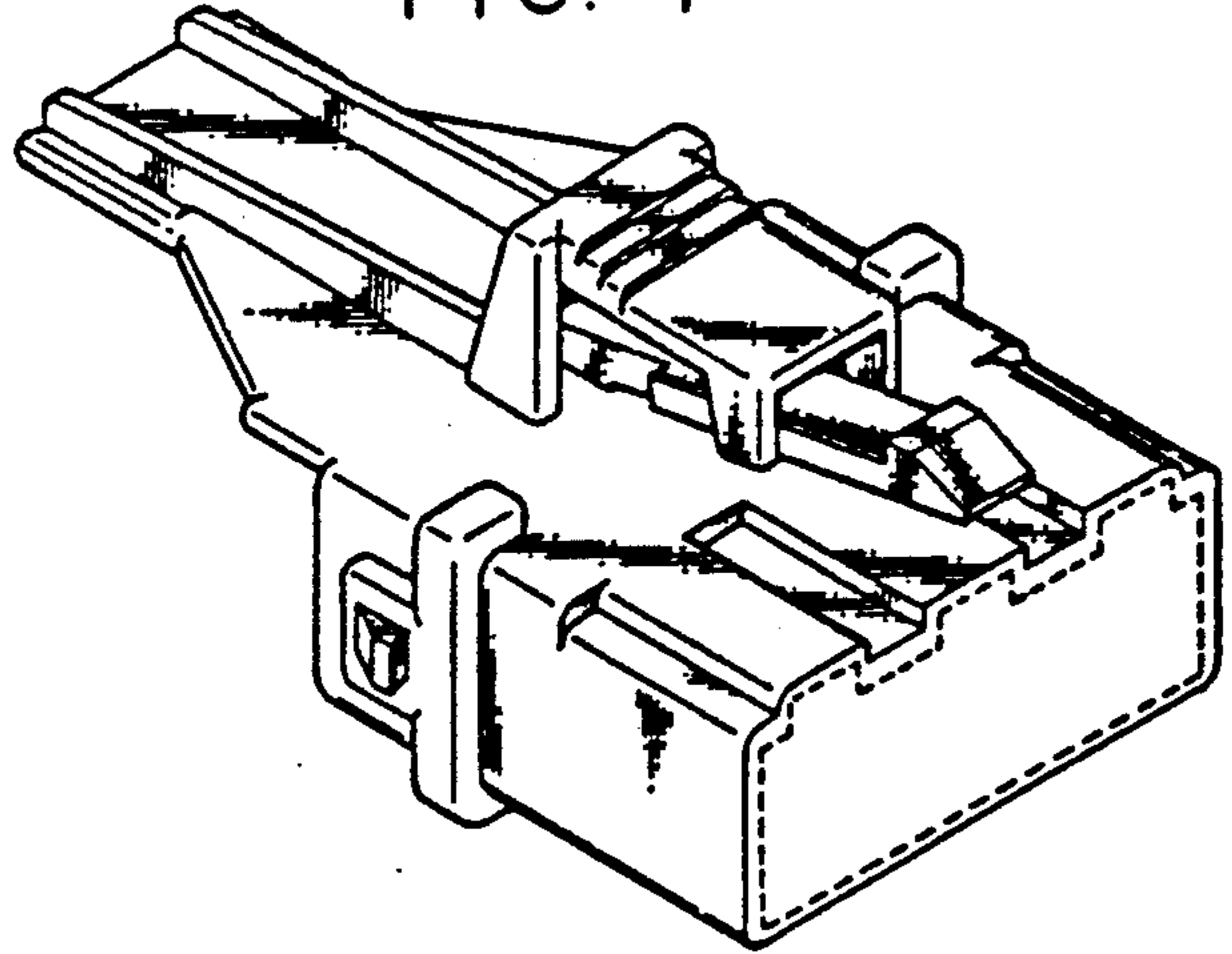


FIG. 3

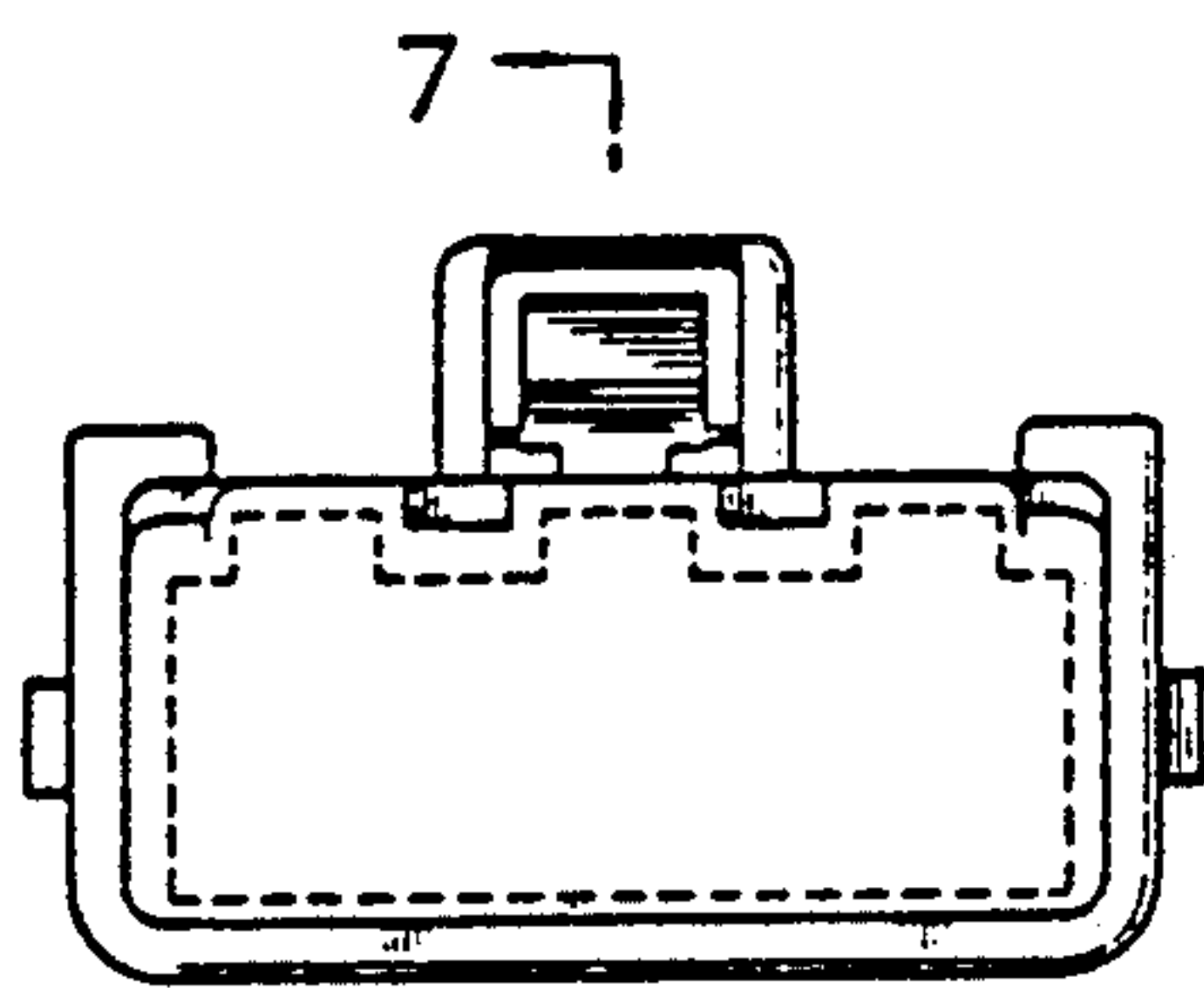
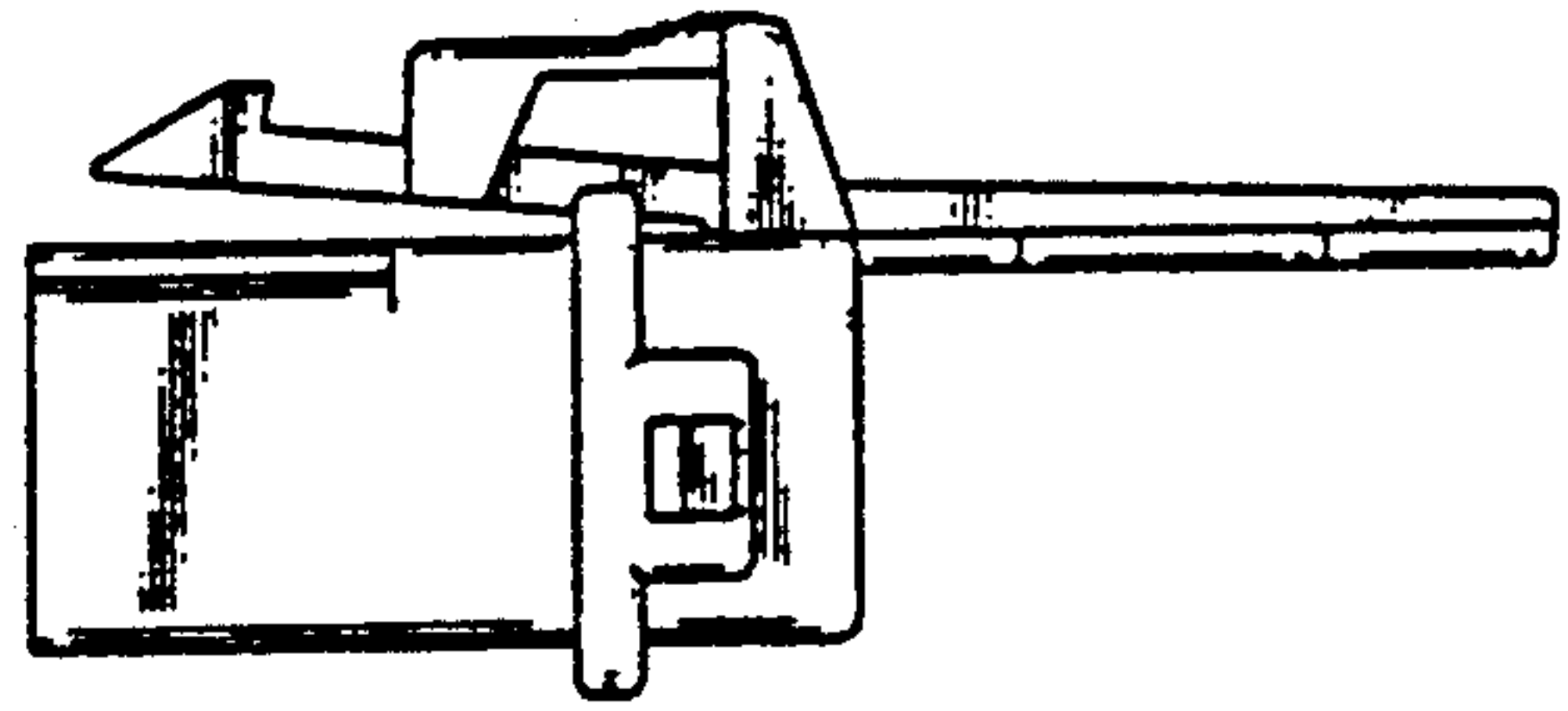


FIG. 5



7-1

FIG. 6

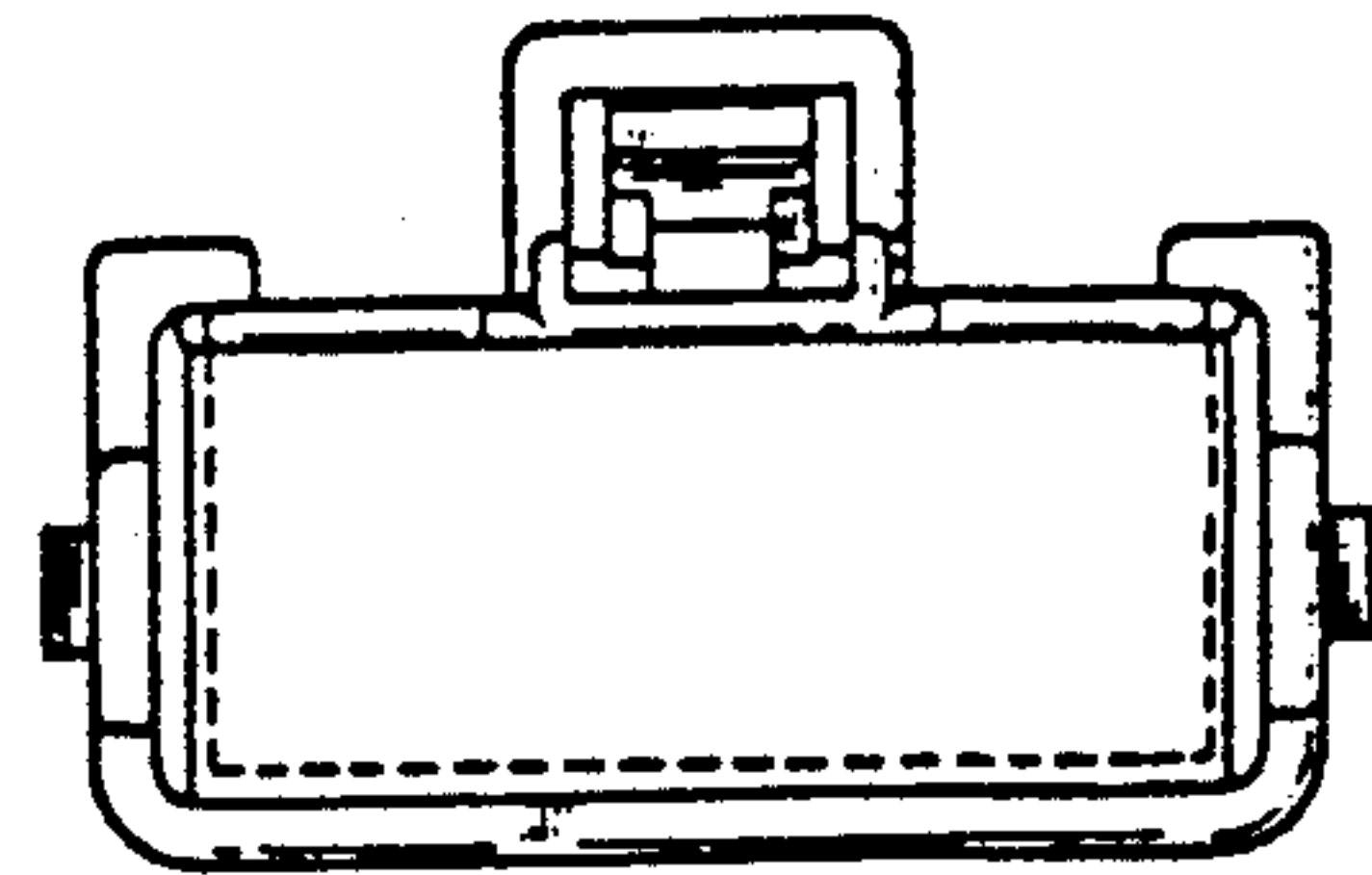


FIG. 4

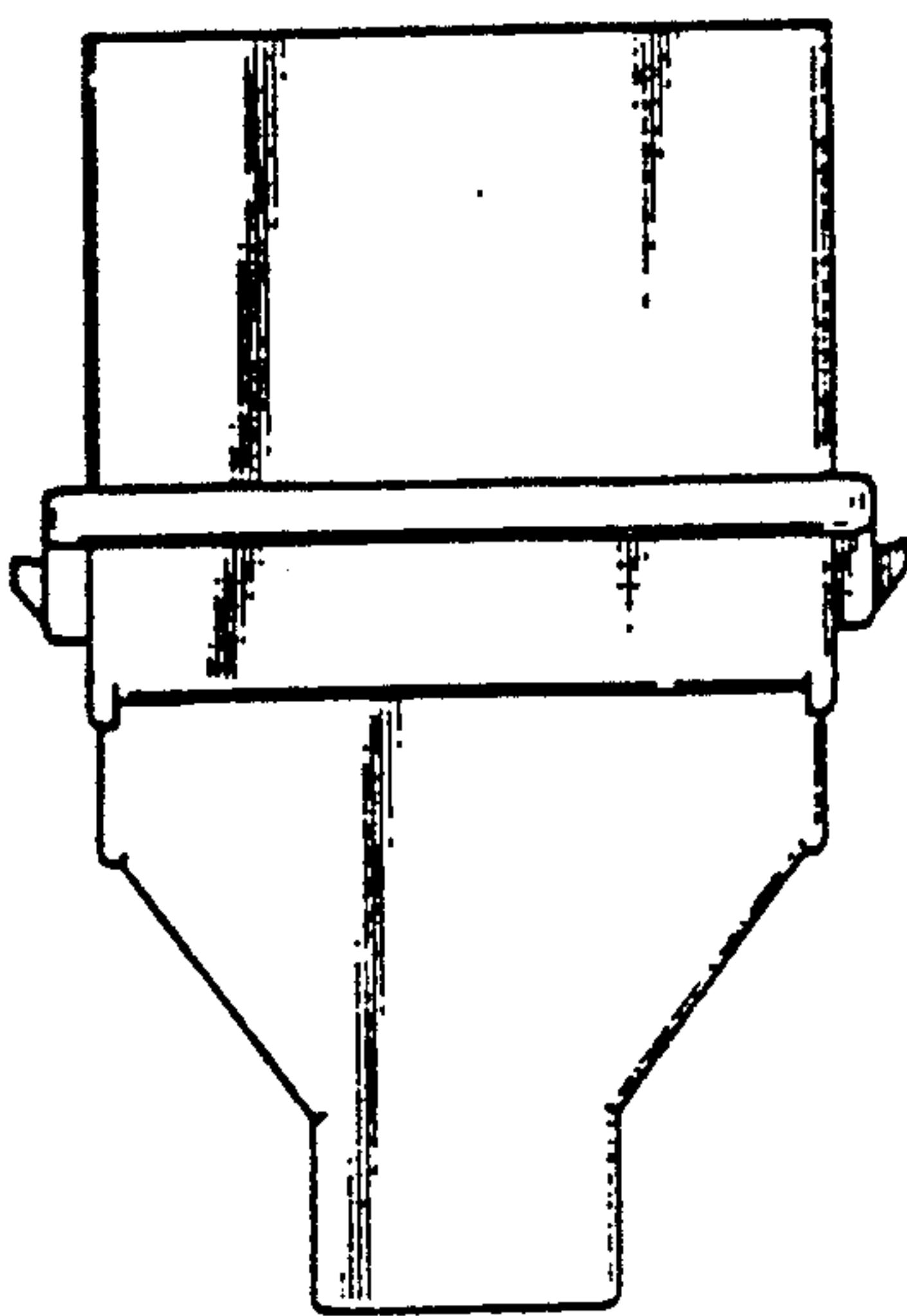


FIG. 7

