



US00D323630S

United States Patent [19]

[11] Patent Number: **Des. 323,630**

Johnson

[45] Date of Patent: **** Feb. 4, 1992**

[54] **INTERVAL LOCATOR GAUGE**

4,400,886 8/1983 Bindschatel 33/197

[76] Inventor: **Brian A. Johnson**, 519 Green St., Perry, Mich. 48872

Primary Examiner—Nelson C. Holtje
Assistant Examiner—Antoine D. Davis
Attorney, Agent, or Firm—Miller, Morriss & Pappas

[**] Term: **14 Years**

[57] **CLAIM**

[21] Appl. No.: **421,007**

The ornamental design for an interval locator gauge, as shown and described.

[22] Filed: **Oct. 13, 1989**

[52] U.S. Cl. **D10/64**

[58] Field of Search D10/70, 71; 33/194, 33/197; 29/462; 52/127.2; 248/357; 269/43, 904

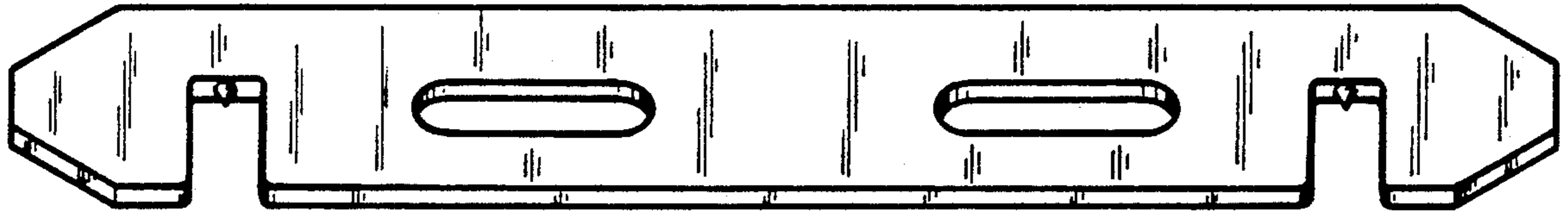
DESCRIPTION

FIG. 1 is a top and front perspective view of an interval locator gauge showing my new design;
FIG. 2 is a top plan view, the bottom plan view being a mirror image thereof;
FIG. 3 is a front edge view, the rear edge being substantially plain;
FIG. 4 is a right side elevational view, the left side being a mirror image; and
FIG. 5 is a perspective view thereof on a reduced scale; the broken lines being environmental only and form no part of the claimed design.

[56] **References Cited**

U.S. PATENT DOCUMENTS

- D. 207,794 5/1967 Cherrington D10/64 X
- D. 291,287 8/1987 Eisenhauer D10/64
- 2,824,530 2/1958 Katz D10/64 X
- 2,858,617 11/1958 Marchetti 33/194
- 3,874,625 4/1975 Hansen et al. 248/357 X



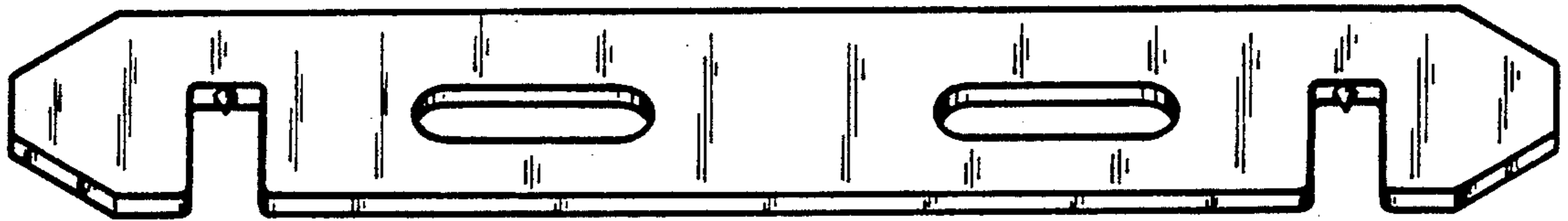


FIG. 1

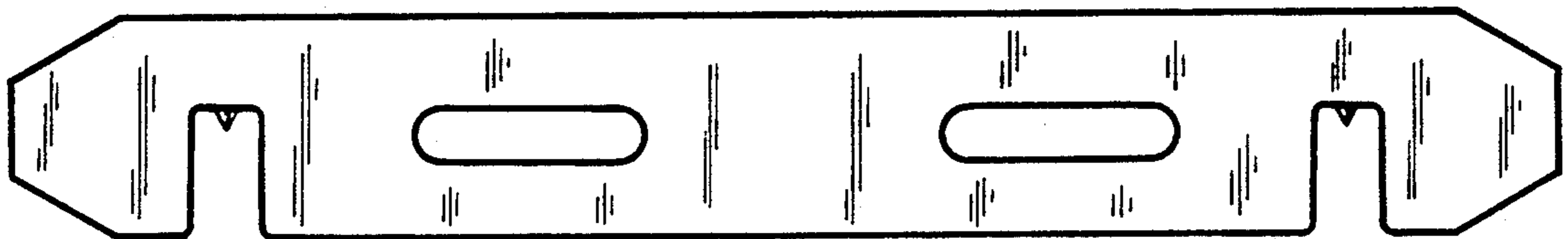


FIG. 2



FIG. 3

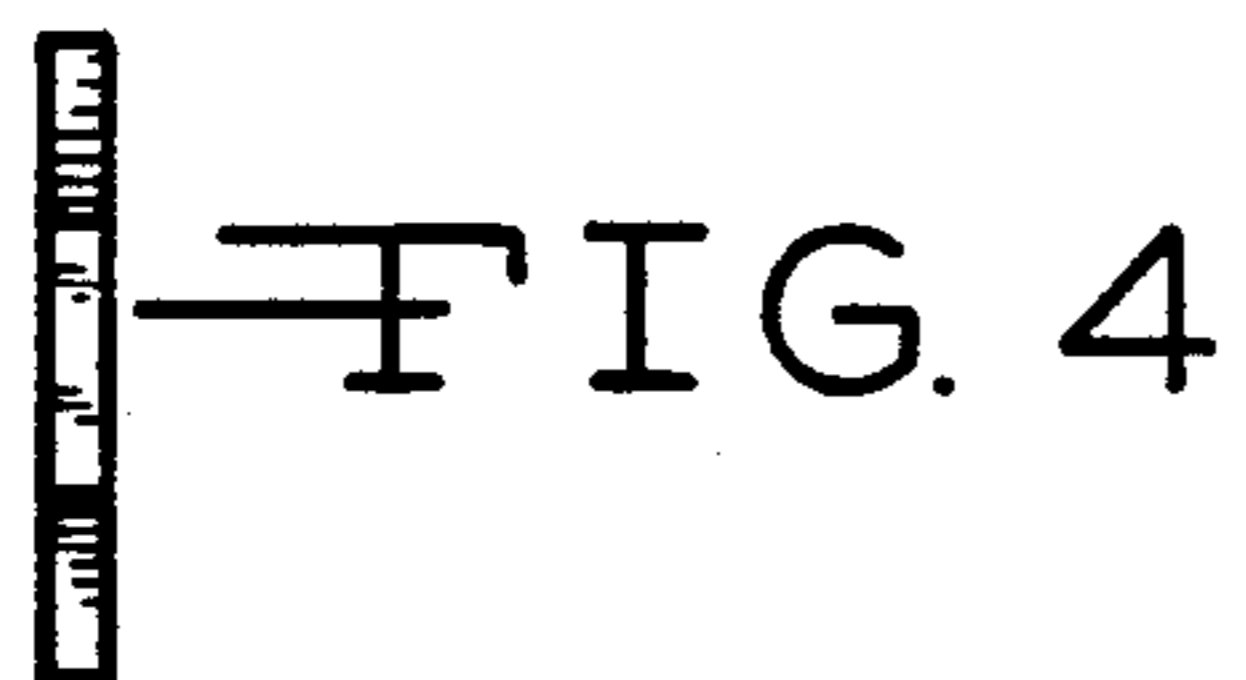


FIG. 4

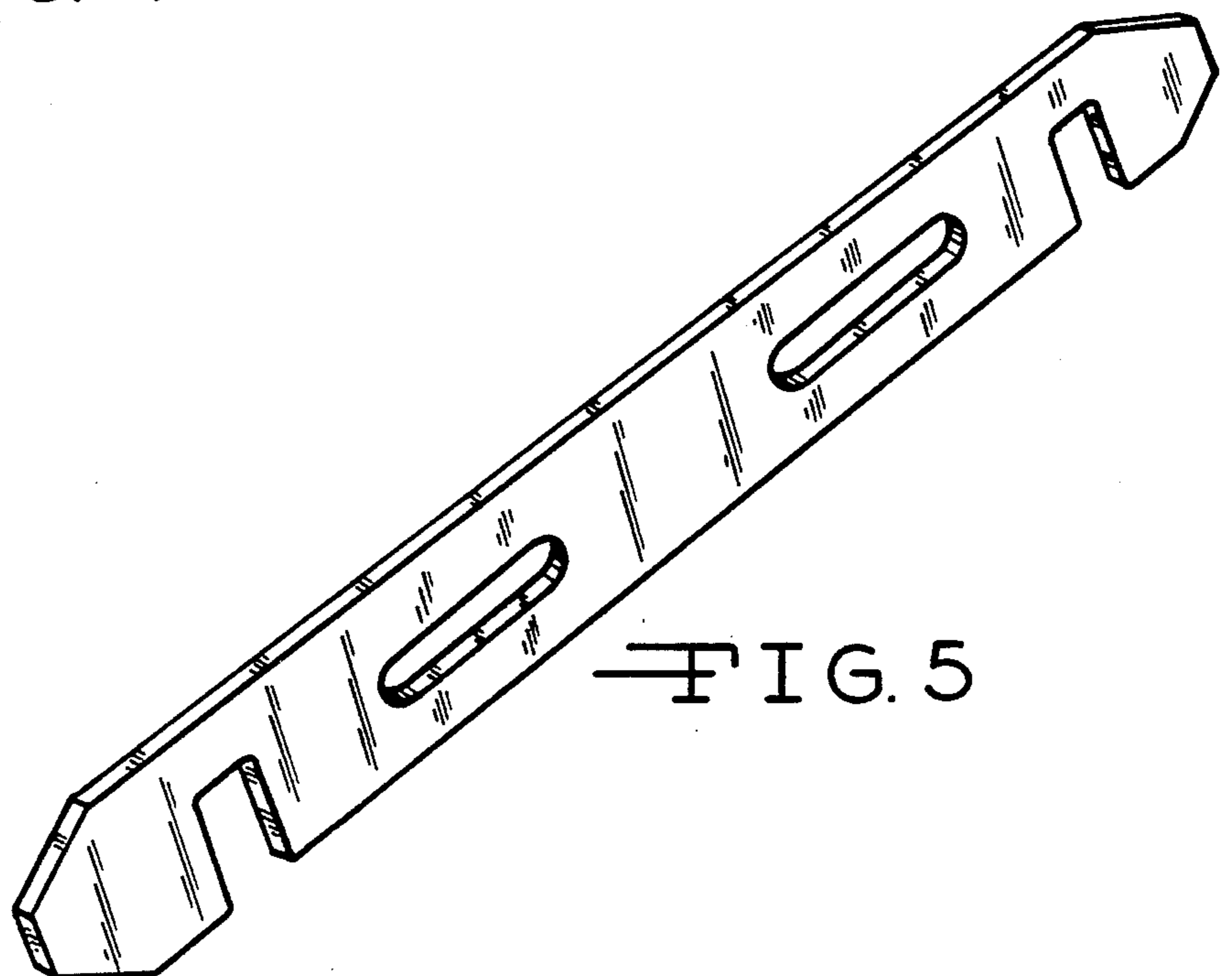


FIG. 5