



US00D323626S

United States Patent [19]

[11] Patent Number: Des. 323,626

Tomasini

[45] Date of Patent: \*\* Feb. 4, 1992

[54] STRAP CONNECTOR FOR WRISTWATCH

OTHER PUBLICATIONS

[76] Inventor: Oreste Tomasini, 7 Largo De Dominicis, 00159 Rome, Italy

Goldschmiede Zeitung, watch, 4/1987, p. 108.  
Swiss Watch and Jewelry Journal, watch, 2/1988, p. 171.

[\*\*] Term: 14 Years

Primary Examiner—Nelson C. Holtje  
Assistant Examiner—Antoine D. Davis  
Attorney, Agent, or Firm—Rosenman & Colin

[21] Appl. No.: 249,087

[57] CLAIM

[22] Filed: Sep. 26, 1988

The ornamental design for a strap connector for wristwatch, as shown and described.

[52] U.S. Cl. .... D10/39

[58] Field of Search ..... D10/30, 32, 38, 39,  
D10/122, 123, 124, 125, 126; D11/2, 3, 4, 5;  
63/1.1, 2, 3, 4, 21, 22, 23, 24, 25; 368/223, 227,  
228, 229, 232, 239, 240, 241, 242, 276, 277, 278,  
280, 281, 282, 285, 290, 291, 292, 294, 316, 317

DESCRIPTION

FIG. 1 is a top plan view of a strap connector for wristwatch showing my new design;  
FIG. 2 is a left side elevational view;  
FIG. 3 is a right side elevational view;  
FIG. 4 is a front elevational view;  
FIG. 5 is a bottom plan view;  
FIG. 6 is a rear elevational view;  
FIG. 7 is a top plan view of a second embodiment of my new design of FIGS. 1-6;  
FIG. 8 is a left side elevational view;  
FIG. 9 is a right side elevational view;  
FIG. 10 is a front elevational view;  
FIG. 11 is a bottom plan view; and  
FIG. 12 is a rear elevational view thereof.

[56] References Cited

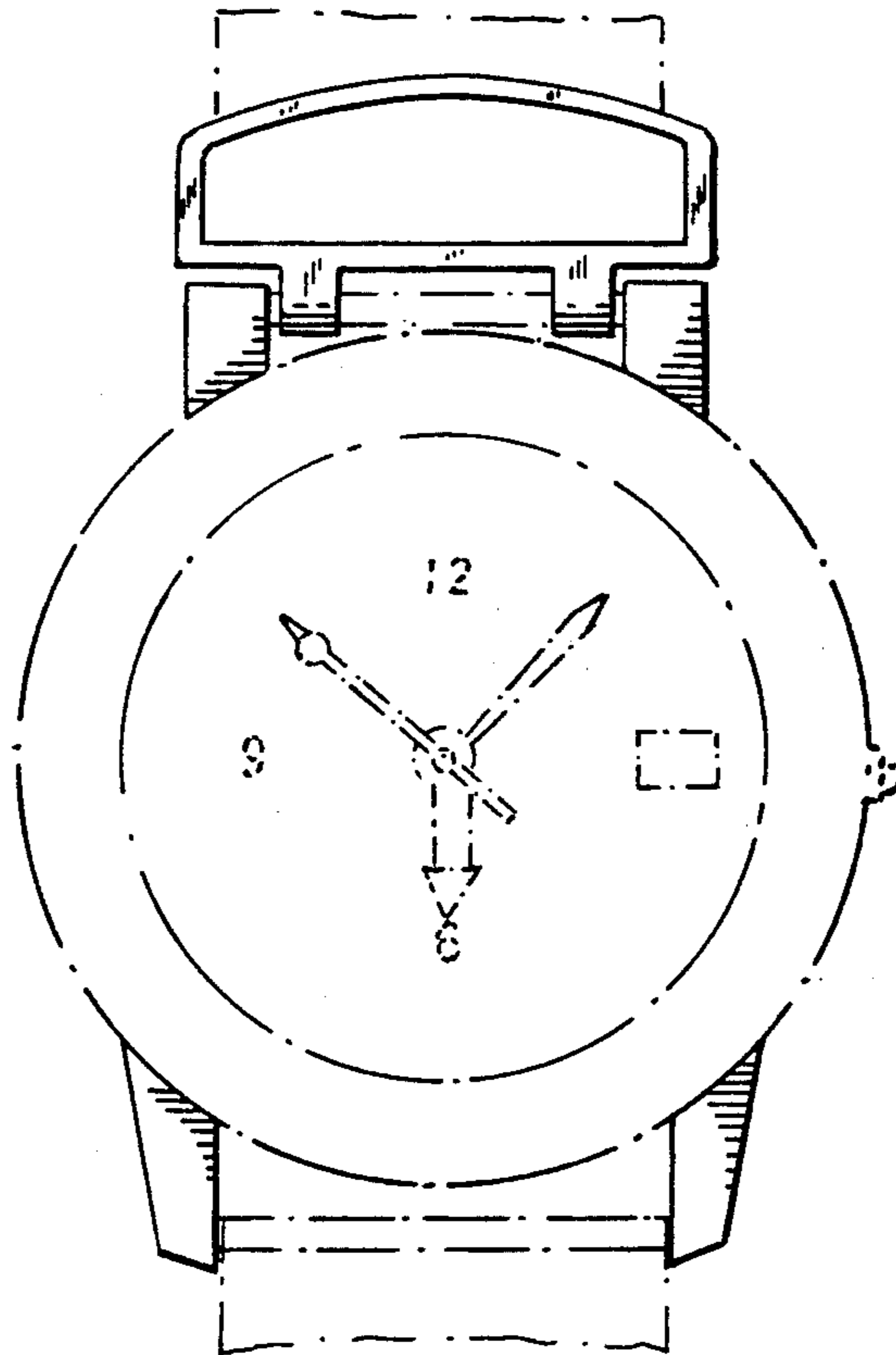
U.S. PATENT DOCUMENTS

- D. 179,372 12/1956 Bauco ..... D10/39
- D. 221,789 9/1971 Kolbrener ..... D10/39
- D. 302,125 7/1989 Bevins ..... D10/31 X
- 1,260,278 3/1918 Smith ..... 368/281
- 3,431,722 3/1969 Haas ..... D10/39
- 3,475,902 11/1969 Wessel ..... D10/39
- 3,503,203 3/1970 Mutter et al. .... D10/39

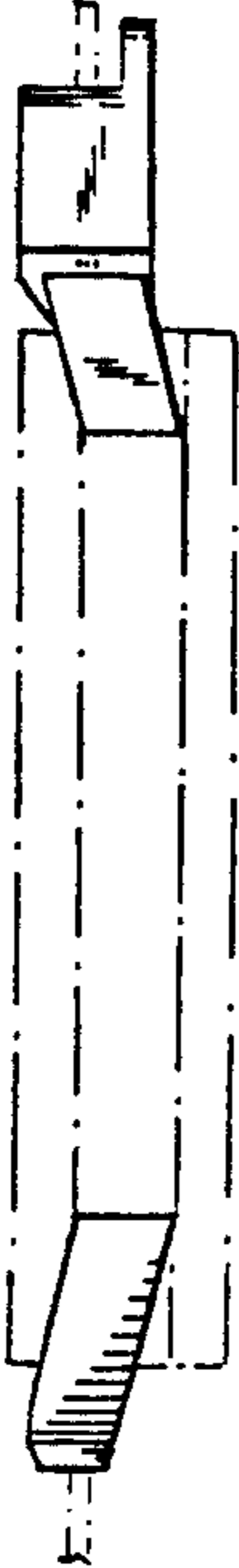
FOREIGN PATENT DOCUMENTS

- 253947 10/1912 Fed. Rep. of Germany ..... 368/282

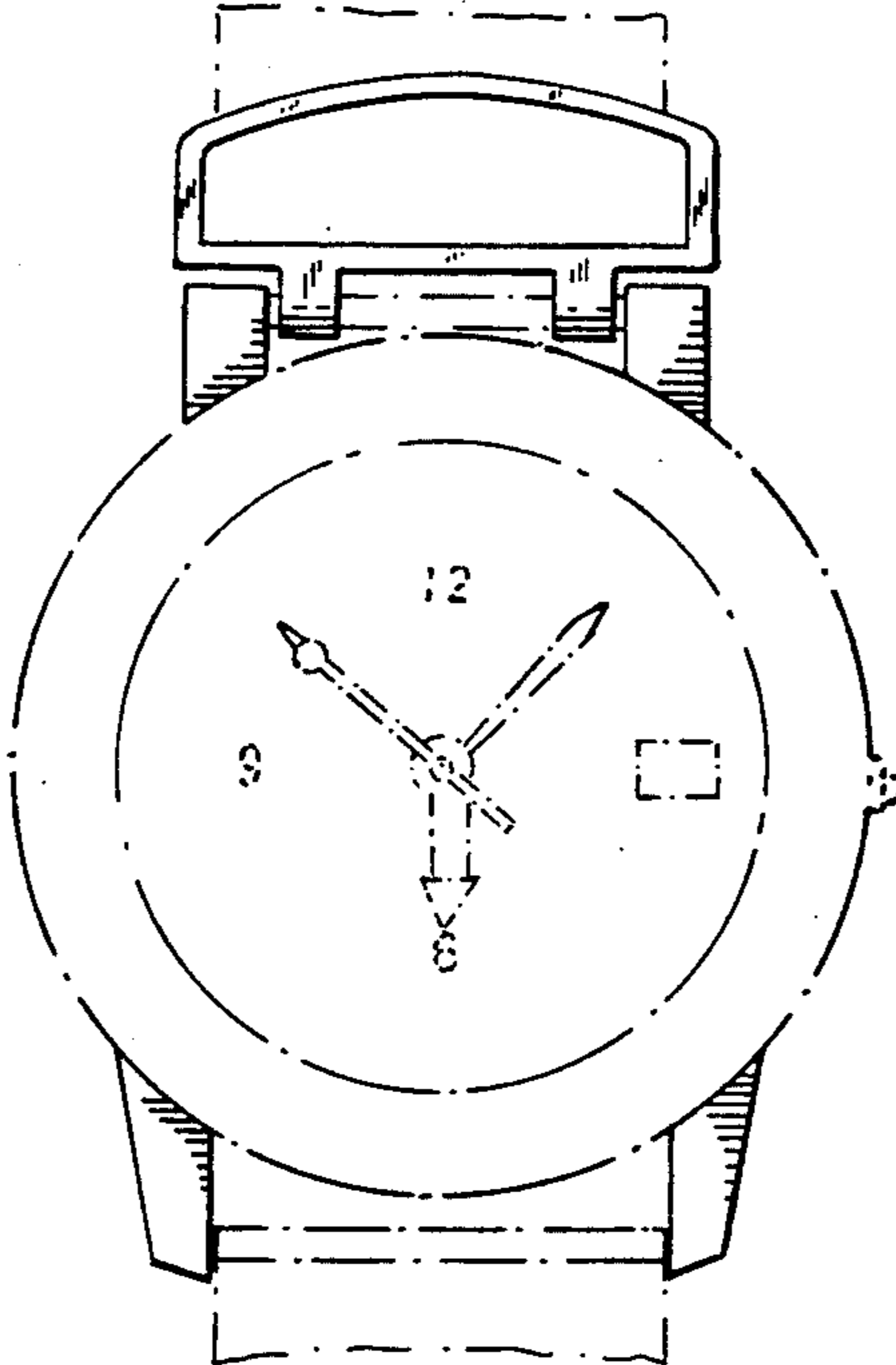
The broken line showing of a watch case and wrist strap are environmental only and form no part of the claimed design.



**FIG. 2**



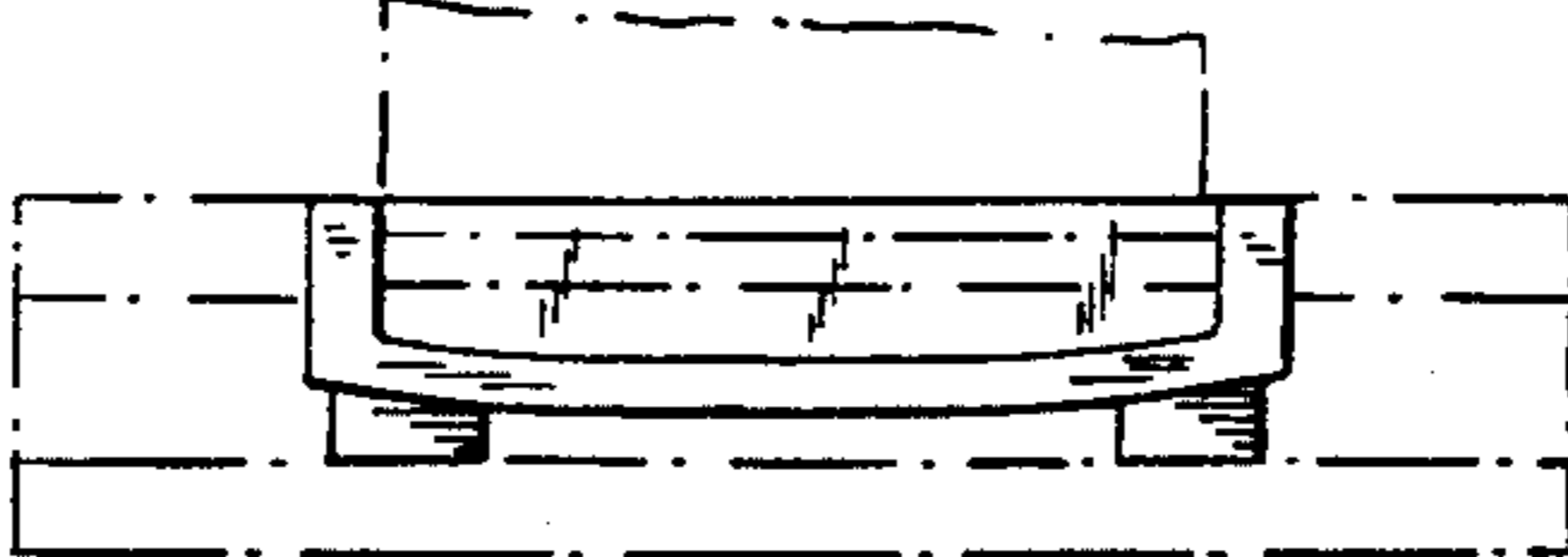
**FIG. 1**



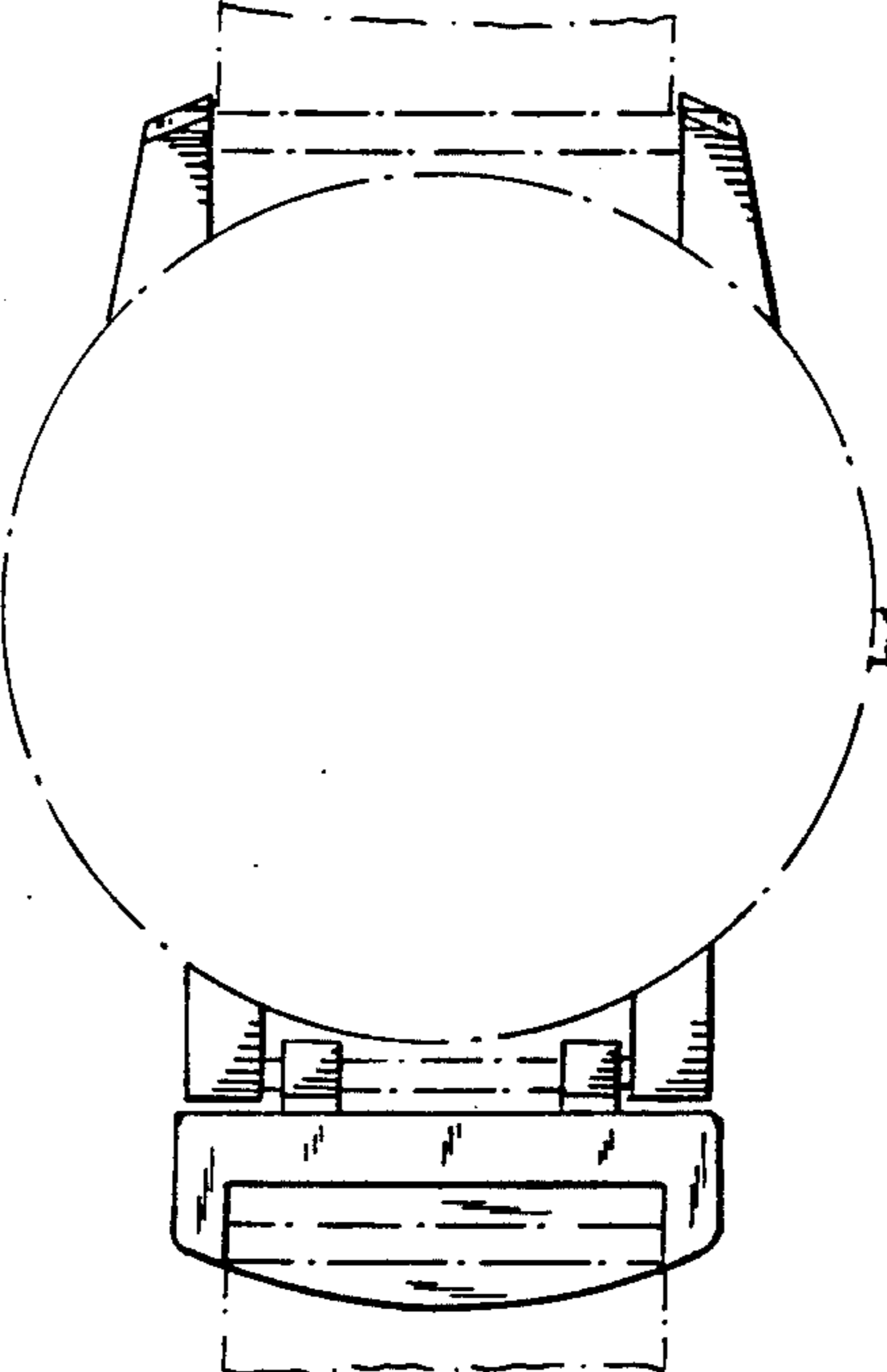
**FIG. 3**



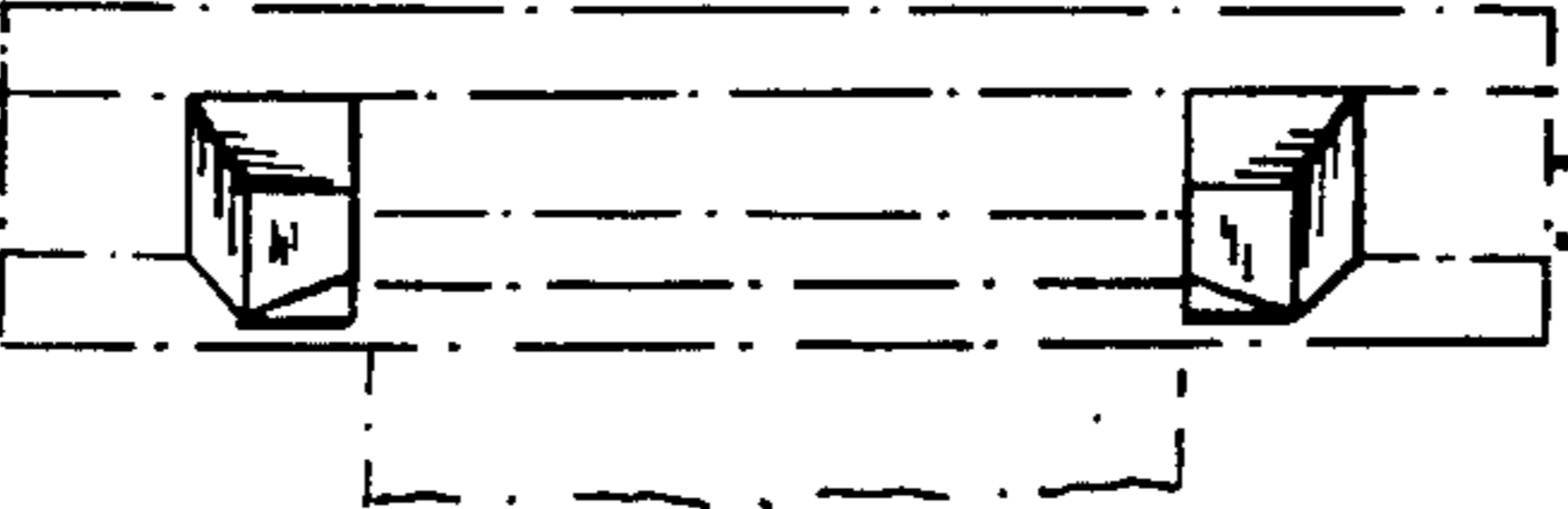
**FIG. 4**



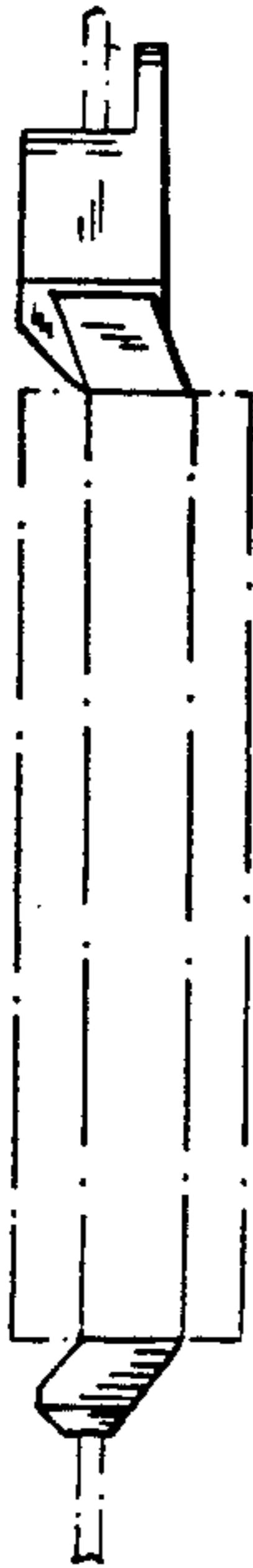
**FIG. 5**



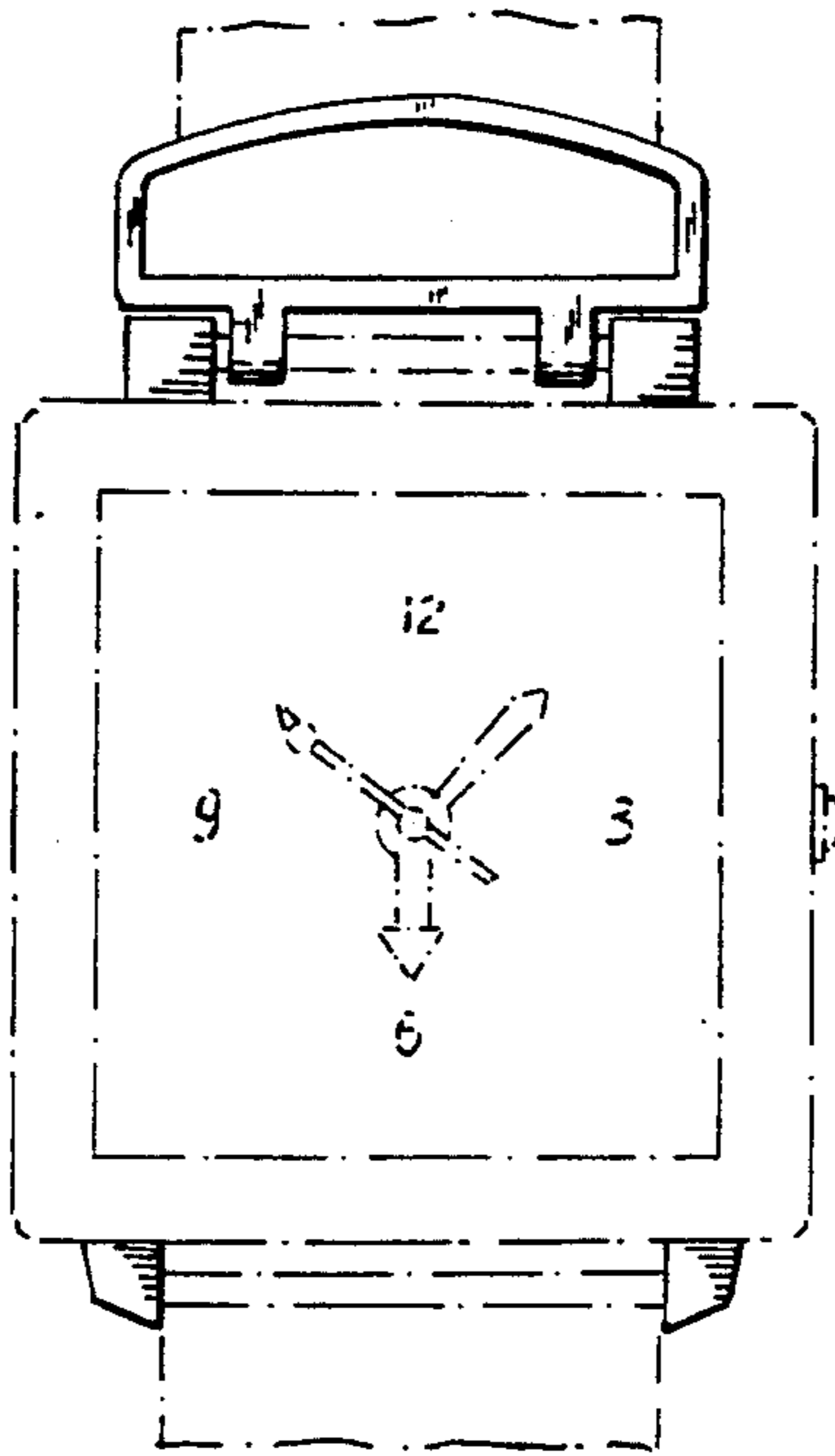
**FIG. 6**



**FIG. 8**



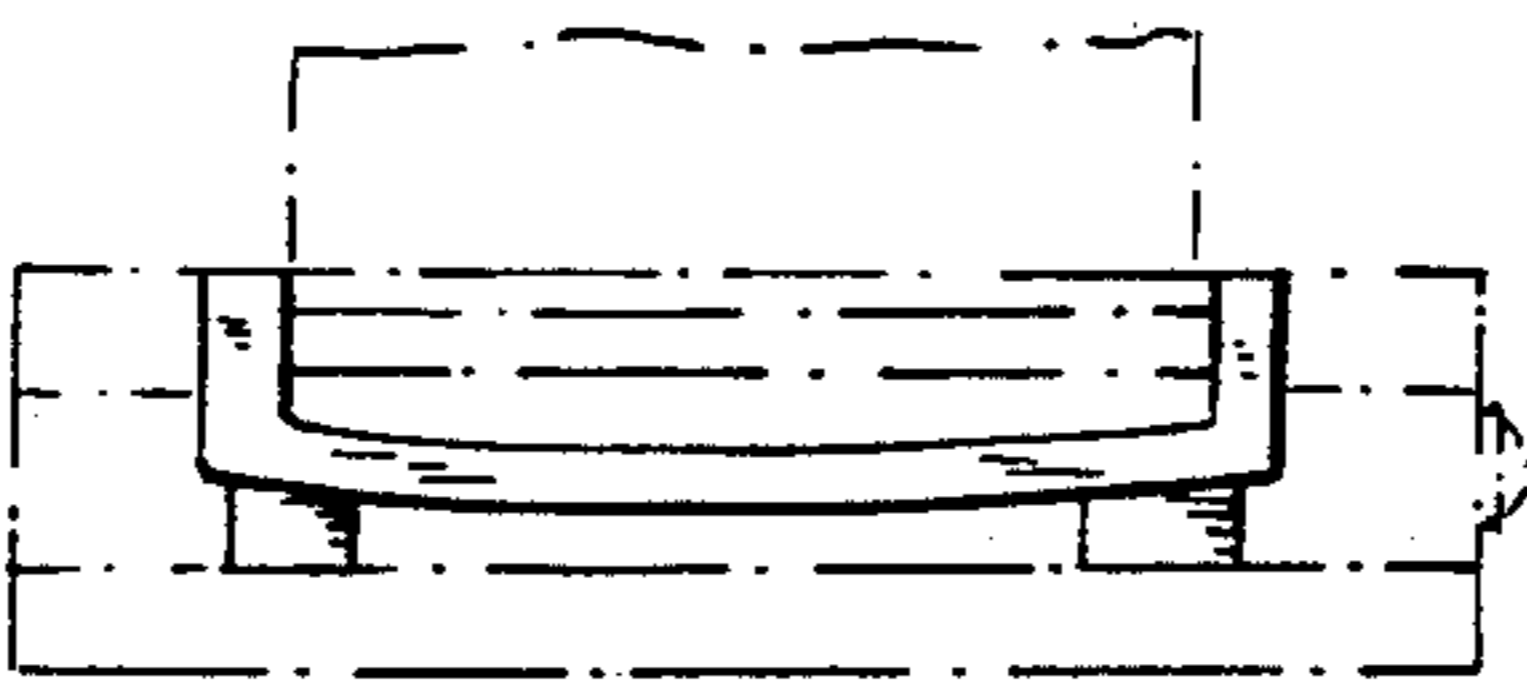
**FIG. 7**



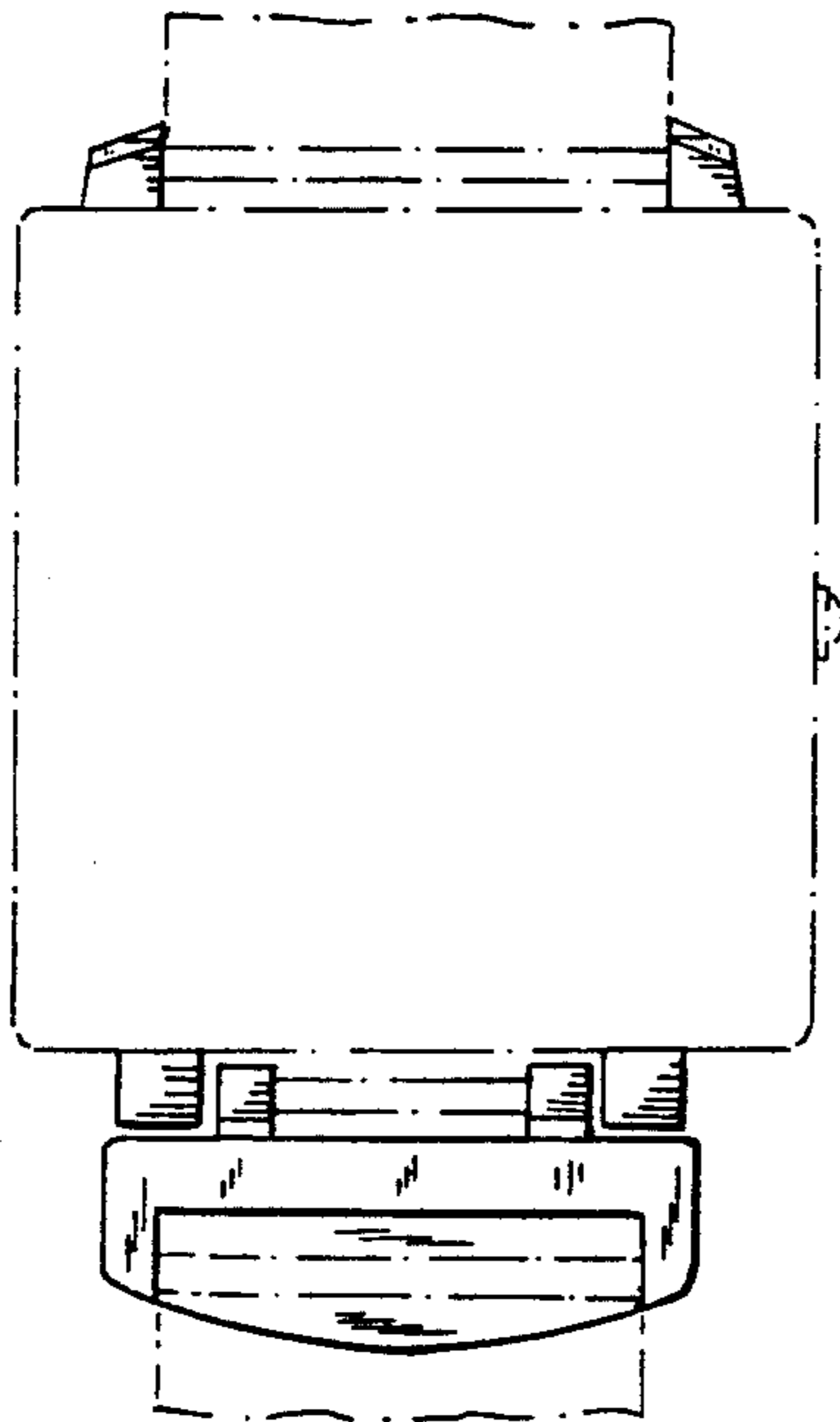
**FIG. 9**



**FIG. 10**



**FIG. 11**



**FIG. 12**

