



US00D323617S

United States Patent [19]

[11] Patent Number: **Des. 323,617**

Miller

[45] Date of Patent: **** Feb. 4, 1992**

[54] **COMBINED BOTTLE AND CAP**

D. 273,092	3/1984	Kretz	D9/404
D. 278,118	3/1985	Hoyt	D9/403
D. 288,662	3/1987	Obuchowski	D9/404 X
3,347,420	8/1965	Donoghue	222/129

[75] Inventor: **Alan N. Miller, New City, N.Y.**

[73] Assignee: **Coltene/Whaledent, Inc., New York, N.Y.**

[**] Term: **14 Years**

FOREIGN PATENT DOCUMENTS

106729 6/1917 United Kingdom 215/6

[21] Appl. No.: **400,560**

Primary Examiner—Bernard Ansher
Assistant Examiner—Lucy Lieberman
Attorney, Agent, or Firm—Helfgott & Karas

[22] Filed: **Aug. 30, 1989**

[52] U.S. Cl. **D9/411; D9/347; D9/387; D9/453**

[57] CLAIM

[58] Field of Search **D9/347, 376, 403, 411, D9/403-413, 337, 387, 341, 453; 215/6, 1 R, 1 C**

The ornamental design for a combined bottle and cap, as shown and described.

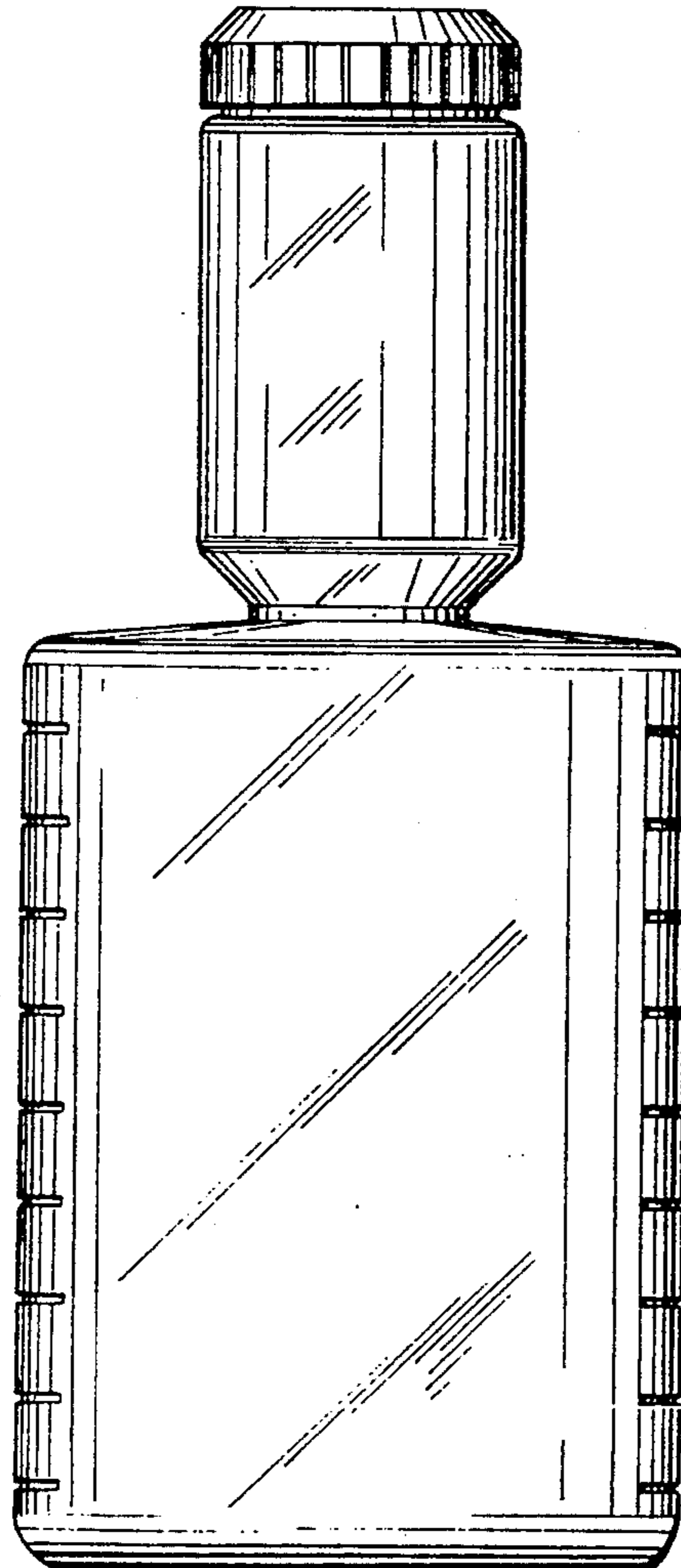
DESCRIPTION

[56] References Cited

U.S. PATENT DOCUMENTS

D. 209,099	10/1967	Vanderhyde	D9/404
D. 213,091	1/1969	Hills	D9/403
D. 215,820	11/1969	Donoghue	D9/347 X
D. 222,433	10/1971	Donoghue	D9/404
D. 247,472	3/1978	Byrne	D9/404 X

FIG. 1 is a perspective view of a combined bottle and cap showing my new design;
FIG. 2 is a top plan view thereof;
FIG. 3 is a left side elevation thereof, the right side elevation is identical;
FIG. 4 is a front elevation thereof, the rear elevation is identical; and
FIG. 5 is a bottom plan view thereof.



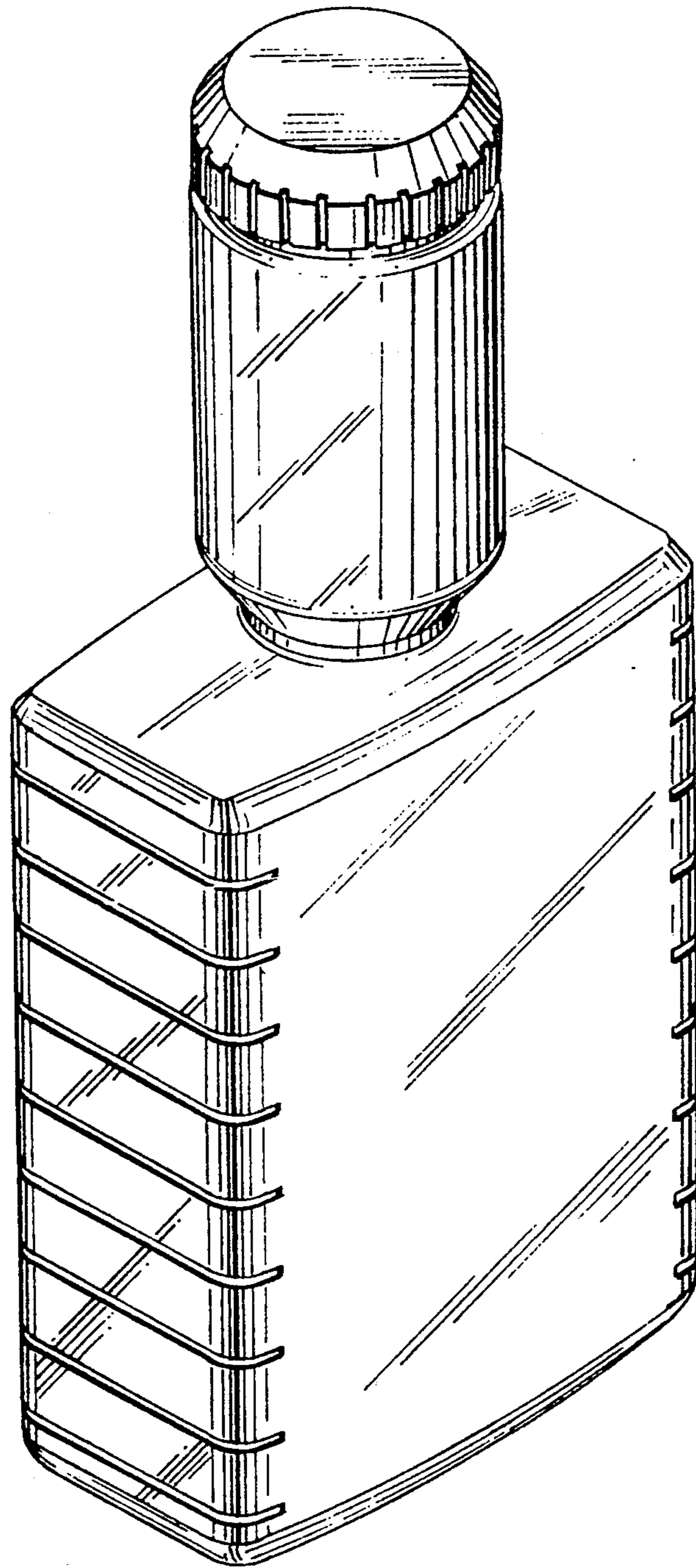


FIG. 1

FIG.2

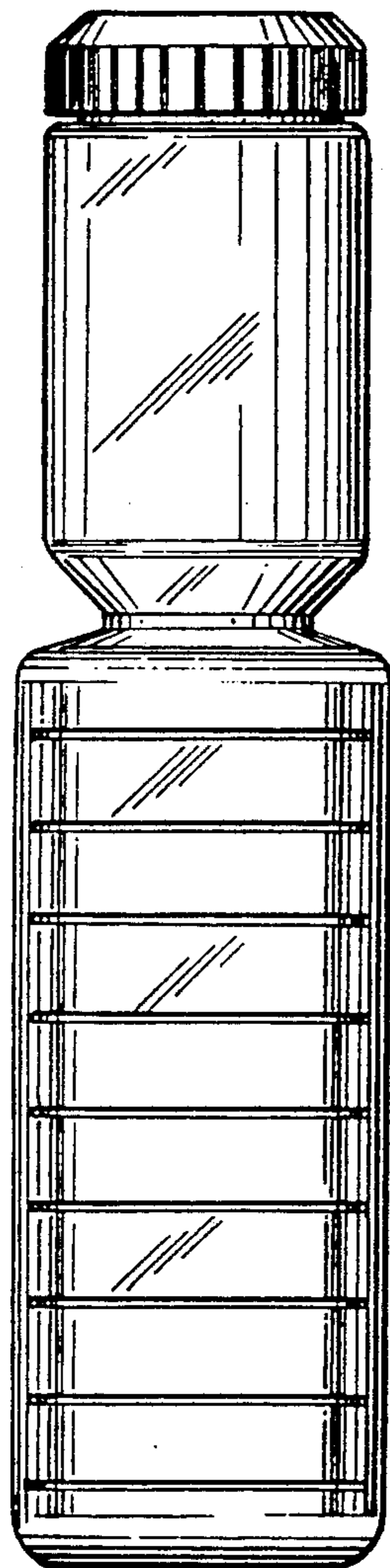
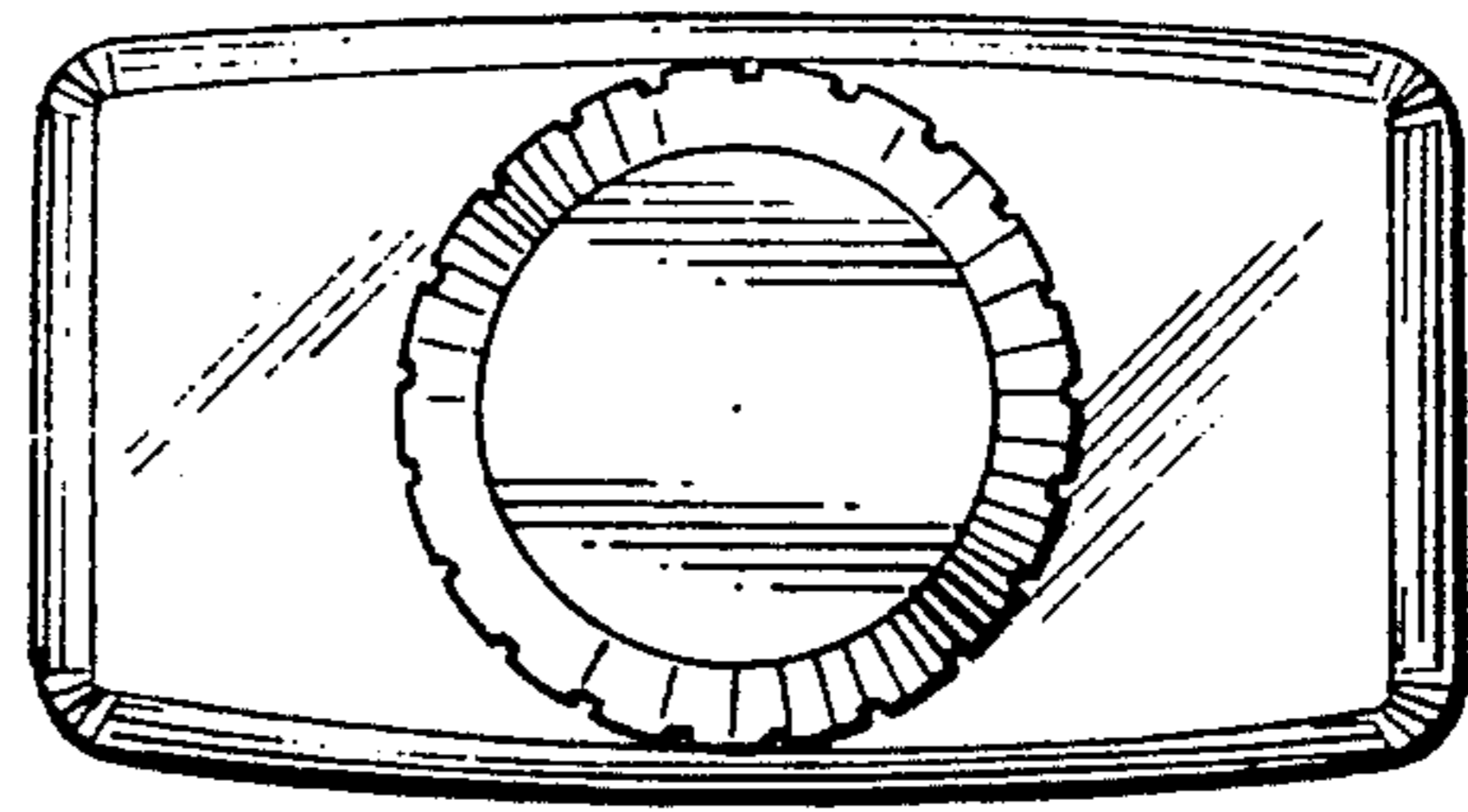


FIG.3

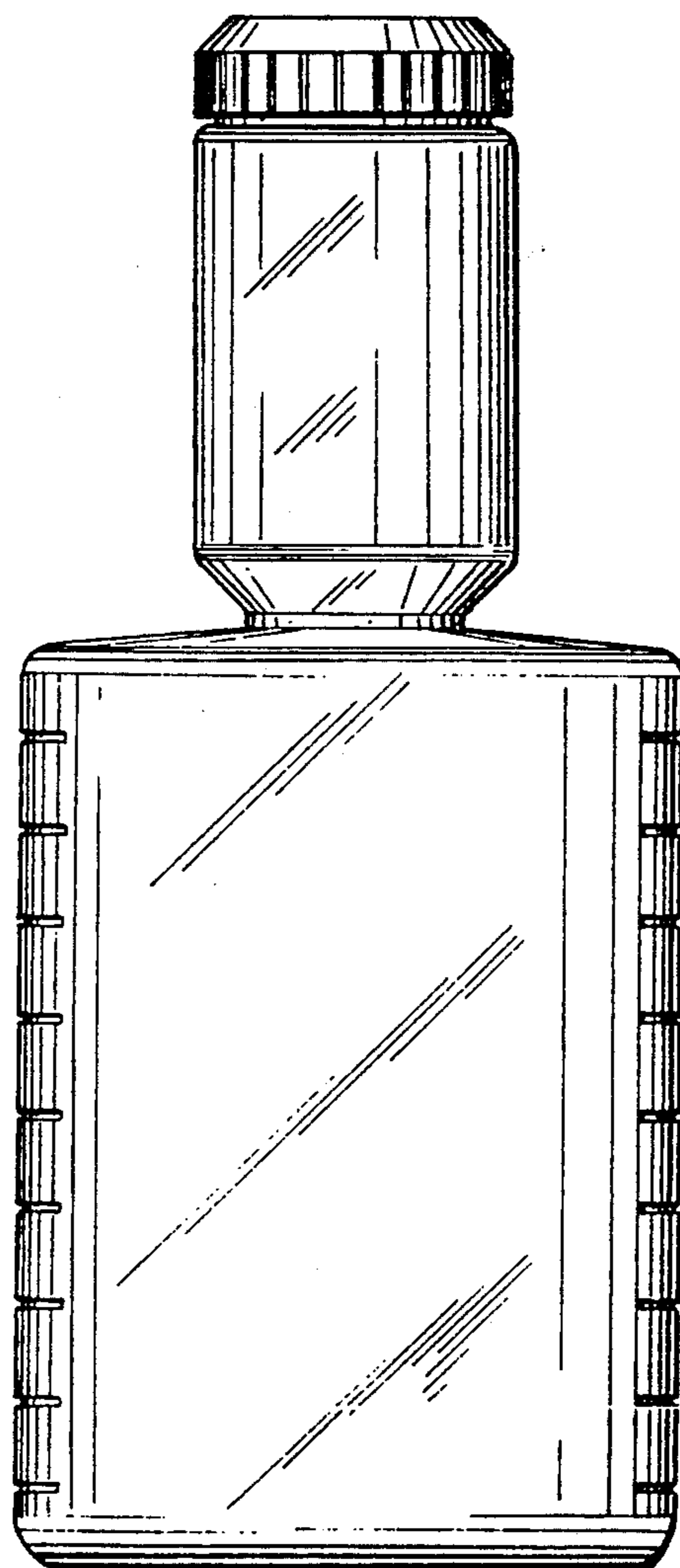


FIG.4

FIG.5

