



US00D323615S

United States Patent [19]

Carlstrom

[11] Patent Number: **Des. 323,615**

[45] Date of Patent: **** Feb. 4, 1992**

[54] **FOOD STORAGE JAR**

[76] Inventor: **Scott B. Carlstrom**, 7511 Dean St.
West, Tacoma, Wash. 98467

[**] Term: **14 Years**

[21] Appl. No.: **343,244**

[22] Filed: **Apr. 26, 1989**

[52] U.S. Cl. **D9/341**

[58] Field of Search **D9/349, 352, 371, 390;**
215/10, 1 R, 1 C; D7/538, 540, 541, 608, 614,
615, 629

3,542,230 11/1970 Campbell **D9/341 X**

FOREIGN PATENT DOCUMENTS

2278982 5/1975 France **215/10**

Primary Examiner—Bernard Ansher
Assistant Examiner—C. Tuttle
Attorney, Agent, or Firm—Leon Gilden

[57] CLAIM

The ornamental design for a food storage jar, as shown and described.

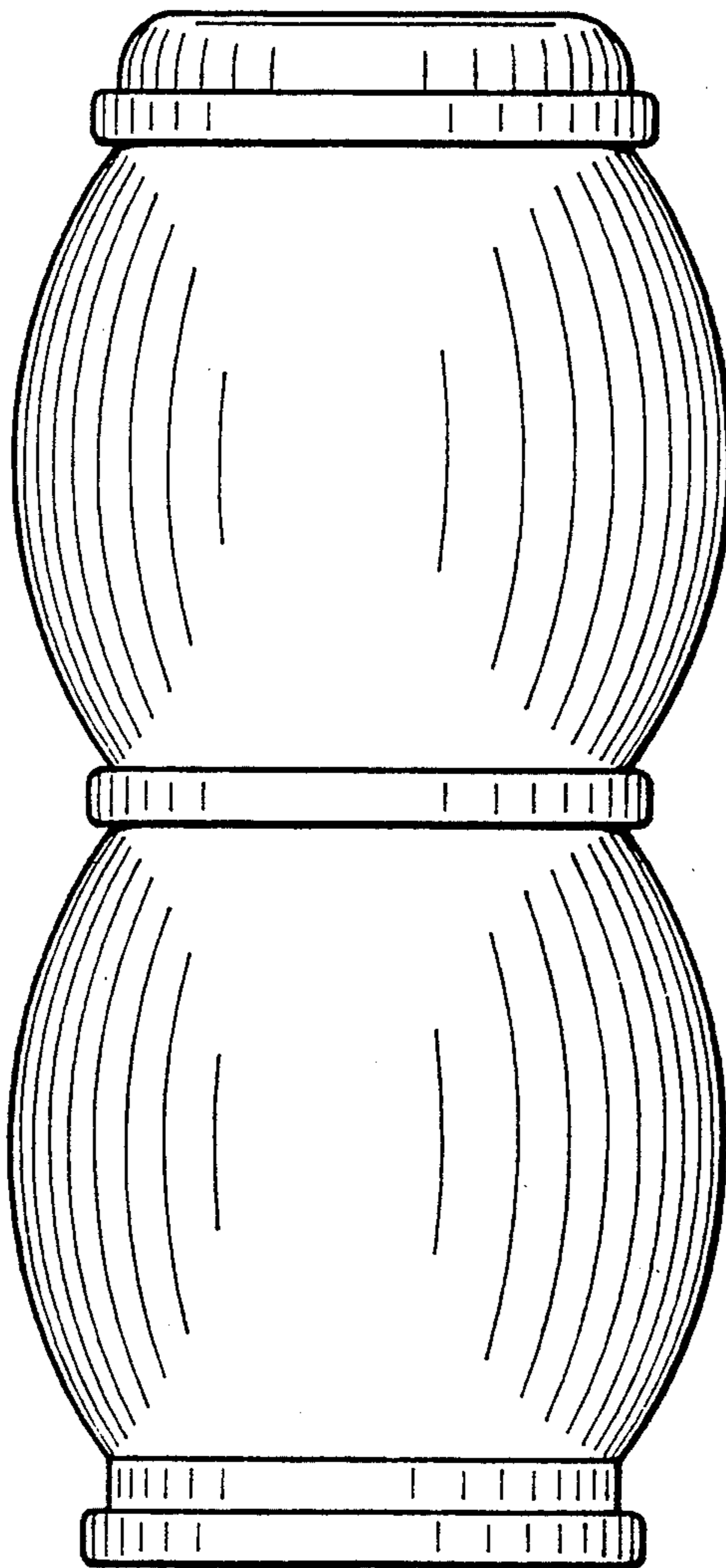
DESCRIPTION

FIG. 1 is an exploded front elevational view of a food storage jar showing my new design;
FIG. 2 is a rear elevational view thereof;
FIG. 3 is a left side elevational view thereof;
FIG. 4 is a right side elevational view thereof;
FIG. 5 is a top plan view thereof;
FIG. 6 is a bottom plan view thereof; and
FIG. 7 is a side elevational view shown in the assembled condition.

[56] References Cited

U.S. PATENT DOCUMENTS

D. 178,271	7/1956	Bernard	D9/347
D. 184,358	2/1959	Lagin	D9/347
D. 224,516	8/1972	Amberg	D9/348
D. 225,725	1/1973	Pettengill	D9/349
D. 260,482	9/1981	Agee	D9/352
3,243,068	3/1966	Huston	D9/352 X
3,311,248	3/1967	Marchant	D7/608 X



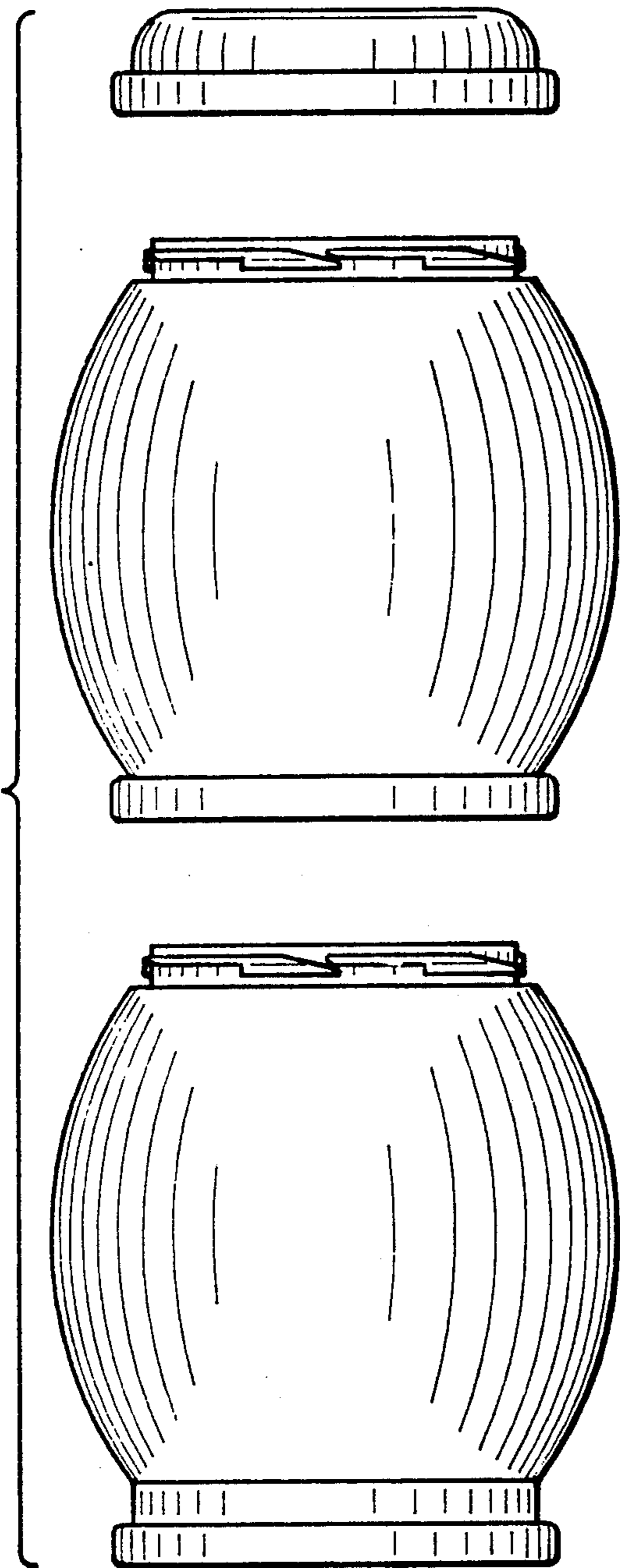


Fig. 1

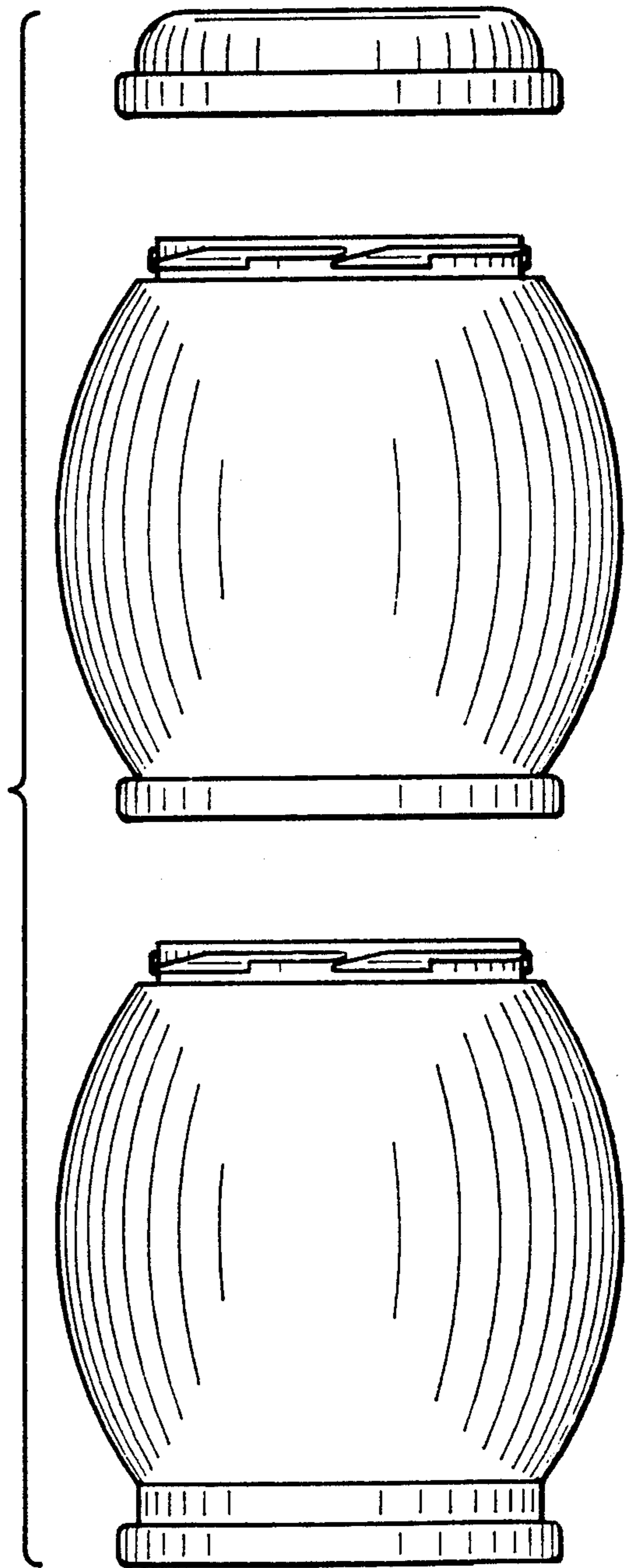


Fig. 2

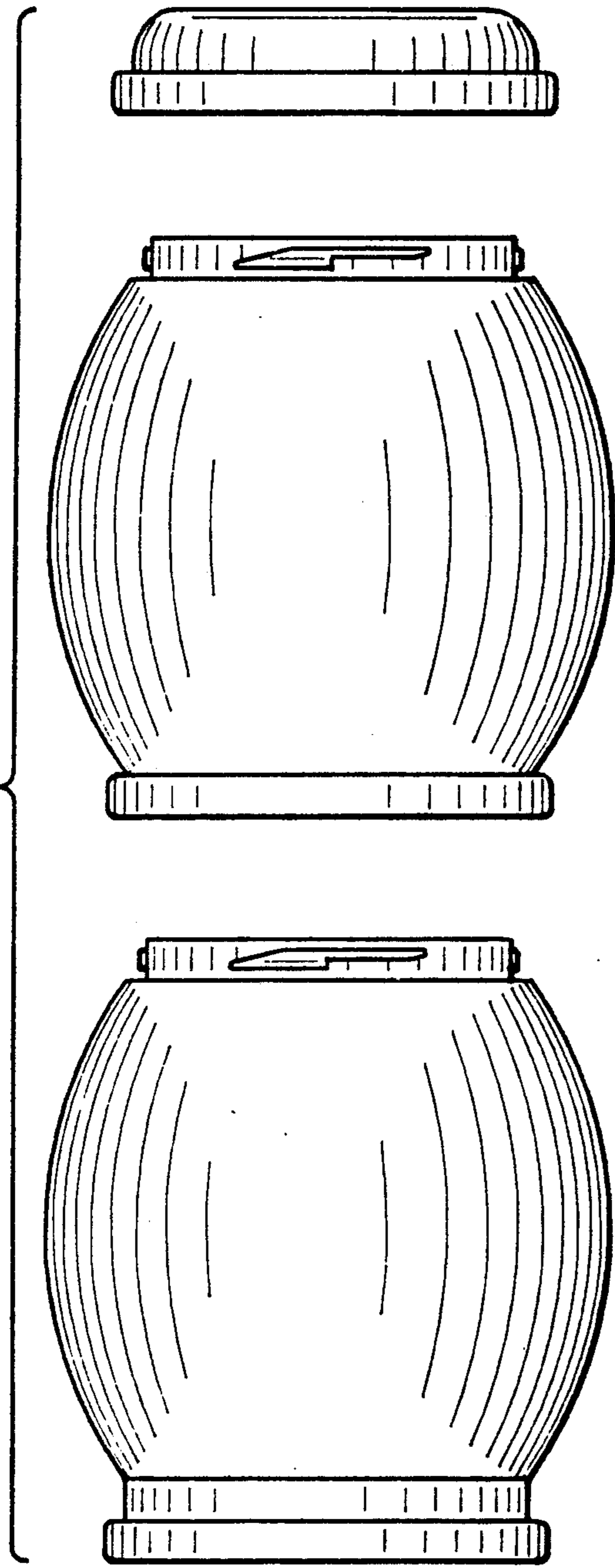


Fig. 3

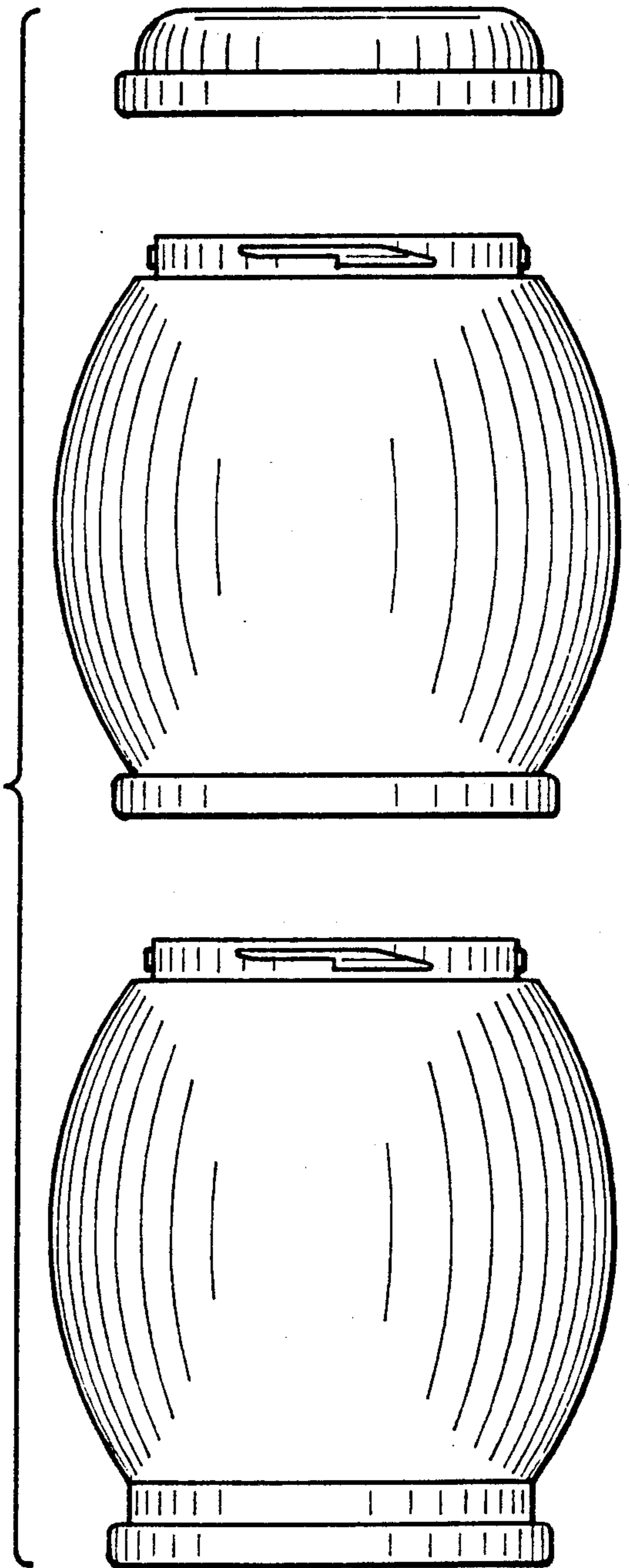


Fig. 4

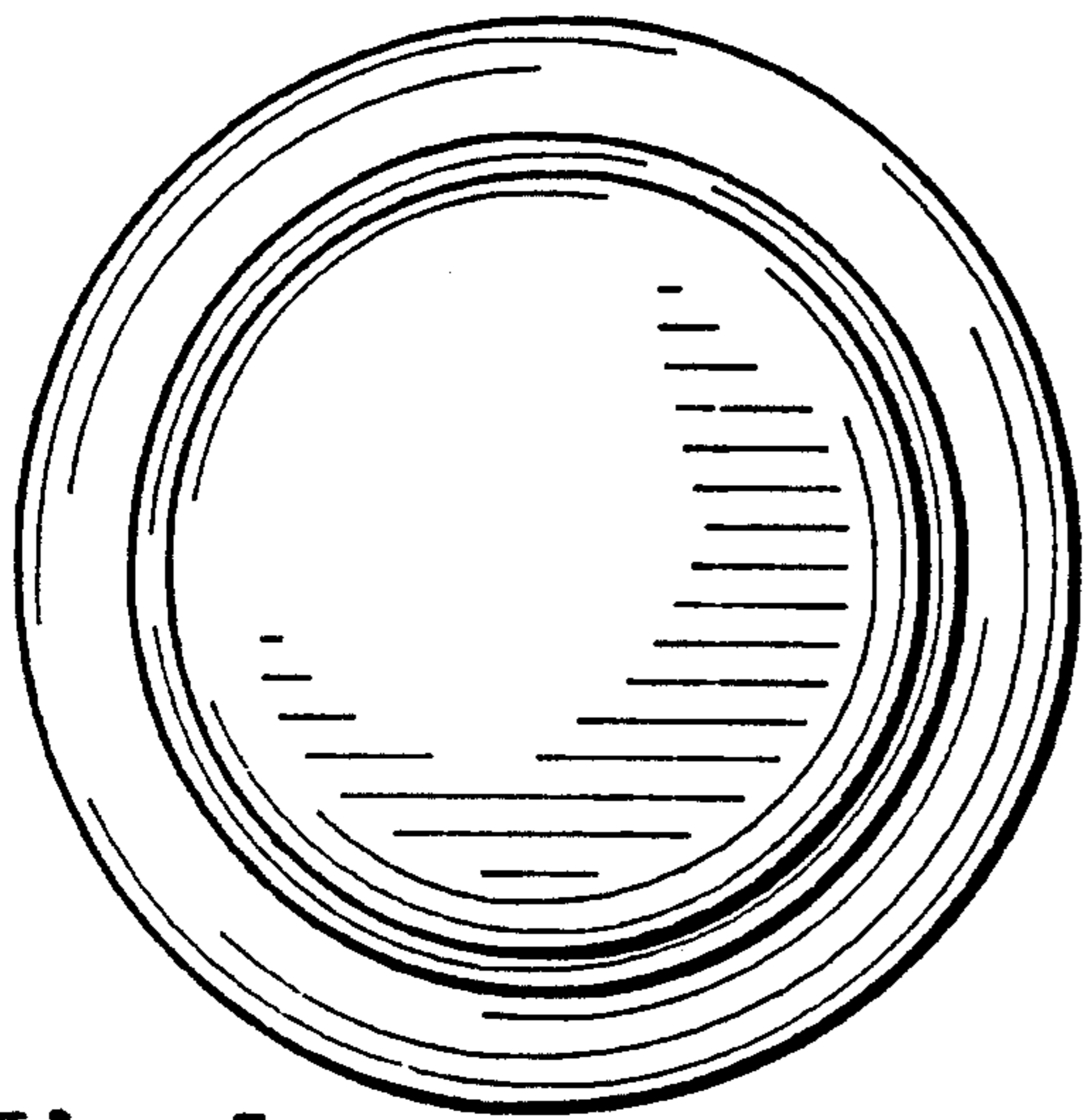


Fig. 5

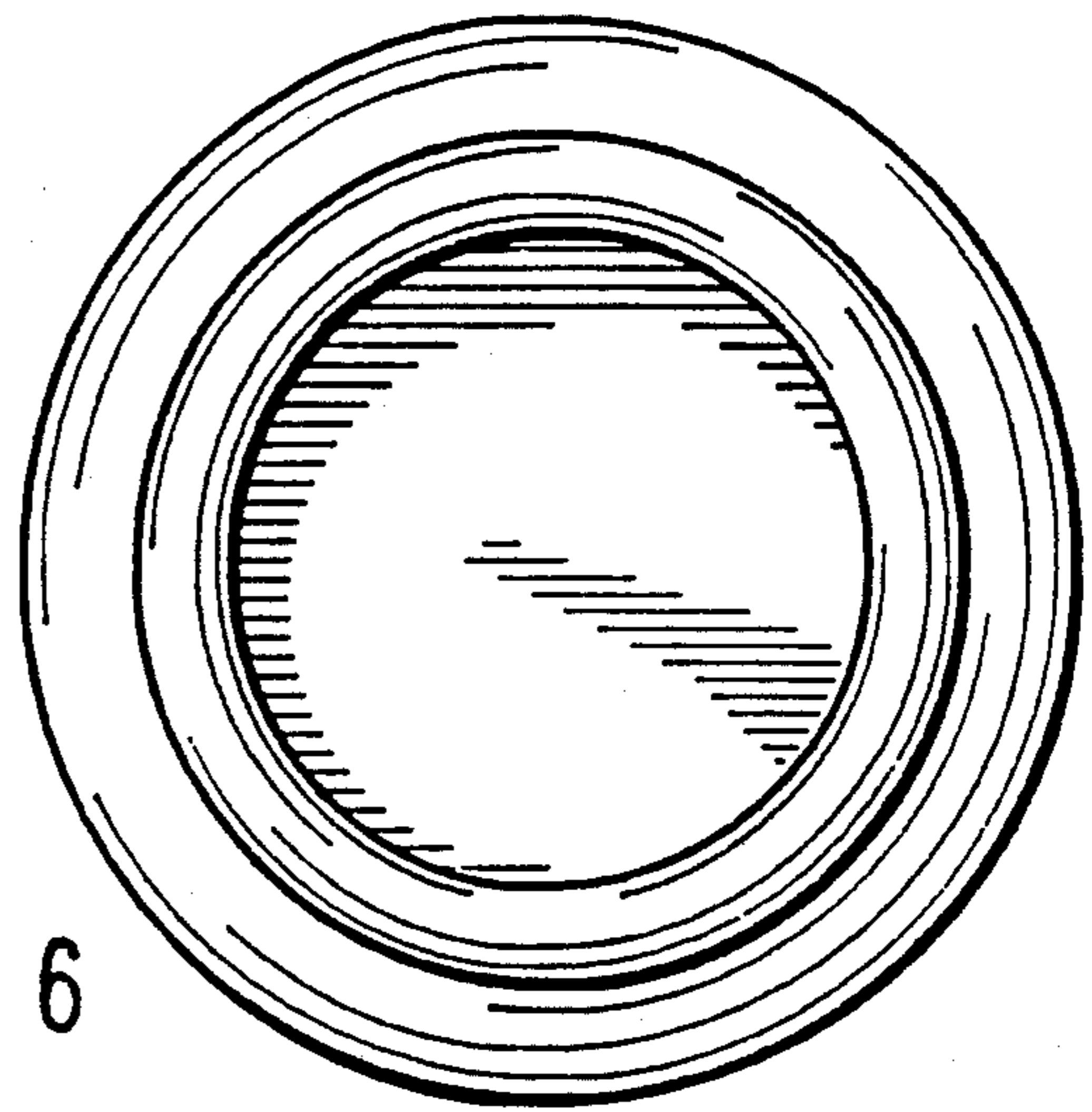


Fig. 6

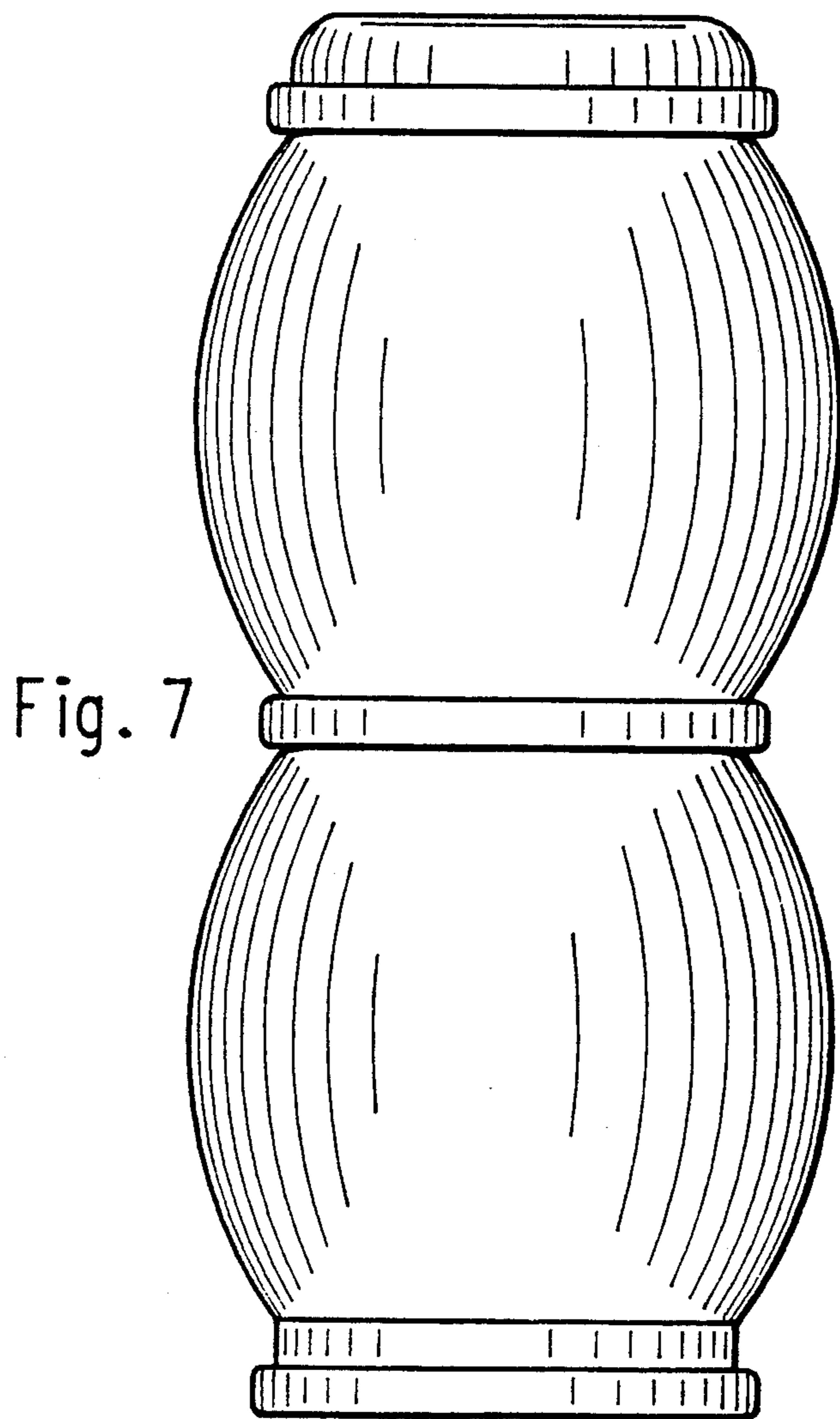


Fig. 7