



US00D323614S

United States Patent [19]

[11] Patent Number: **Des. 323,614**

Bell

[45] Date of Patent: **** Feb. 4, 1992**

[54] **HANGER FOR HOSES AND ATTACHMENTS**

3,747,166 7/1973 Eross 248/75
5,020,755 6/1991 Frankel 248/227 X

[76] Inventor: **Robert J. Bell, 1900 Smith Grade Rd., Santa Cruz, Calif. 95060**

FOREIGN PATENT DOCUMENTS

[**] Term: **14 Years**

1494198 7/1967 France 248/75

[21] Appl. No.: **507,587**

Primary Examiner—Horace B. Fay, Jr.
Attorney, Agent, or Firm—Jeffrey A. Hall

[22] Filed: **Apr. 10, 1990**

[52] U.S. Cl. **D8/373; D8/380**

[58] Field of Search **D8/373, 367; 248/75**

[57] CLAIM

The ornamental design for hanger for hoses and attachments, as shown.

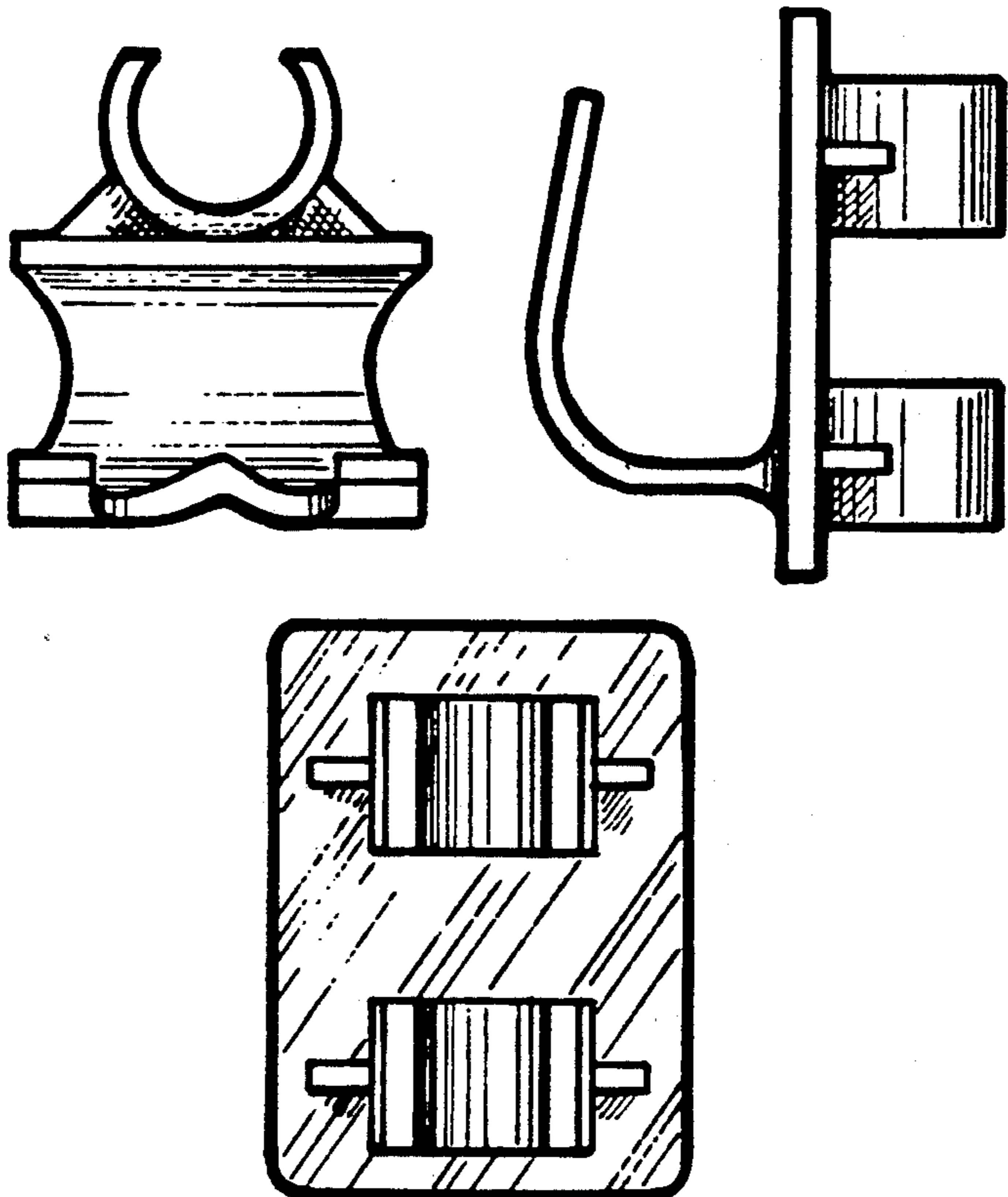
[56] References Cited

U.S. PATENT DOCUMENTS

D. 297,112	8/1988	Holdaway	D8/373
D. 301,974	7/1989	Carlson et al.	D8/367
D. 313,169	12/1990	Scott et al.	D8/373
225,345	3/1880	Clark	248/227
1,490,043	4/1924	Thurman	248/227
1,493,189	5/1924	Carmeroto	248/227
1,506,668	8/1924	Rose et al.	248/227
2,861,527	11/1958	Phillips	248/75
2,873,999	2/1959	Webb	248/75

DESCRIPTION

FIG. 1 is a perspective view of a hanger for hoses and attachments, with broken lines shown for illustrative purposes, showing my new design;
FIG. 2 is a top view thereof;
FIG. 3 is a front view thereof;
FIG. 4 is a right side elevational view, the left side being a mirror image thereof;
FIG. 5 is a rear elevational view thereof; and
FIG. 6 is a bottom view thereof.



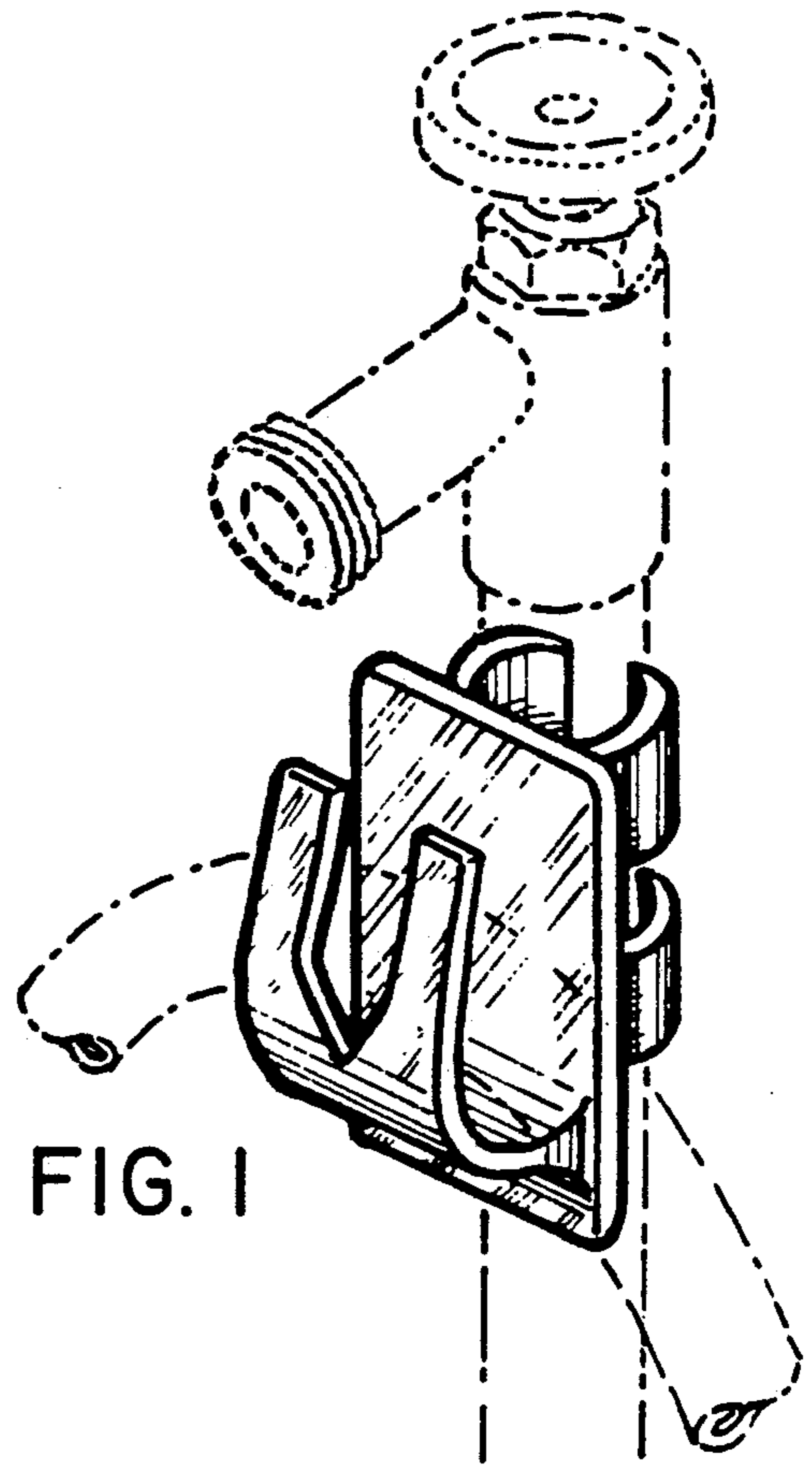


FIG. 1

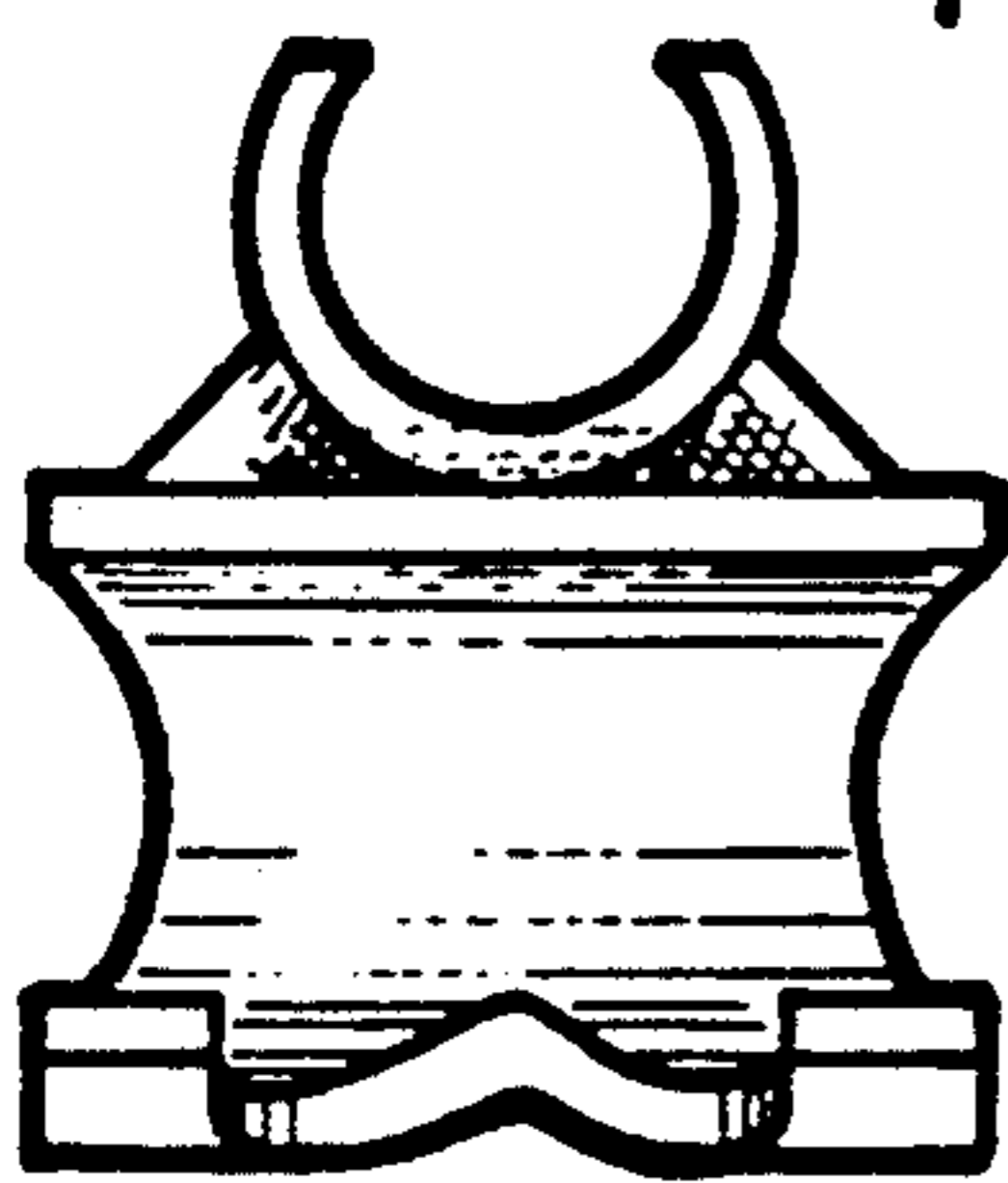


FIG. 2

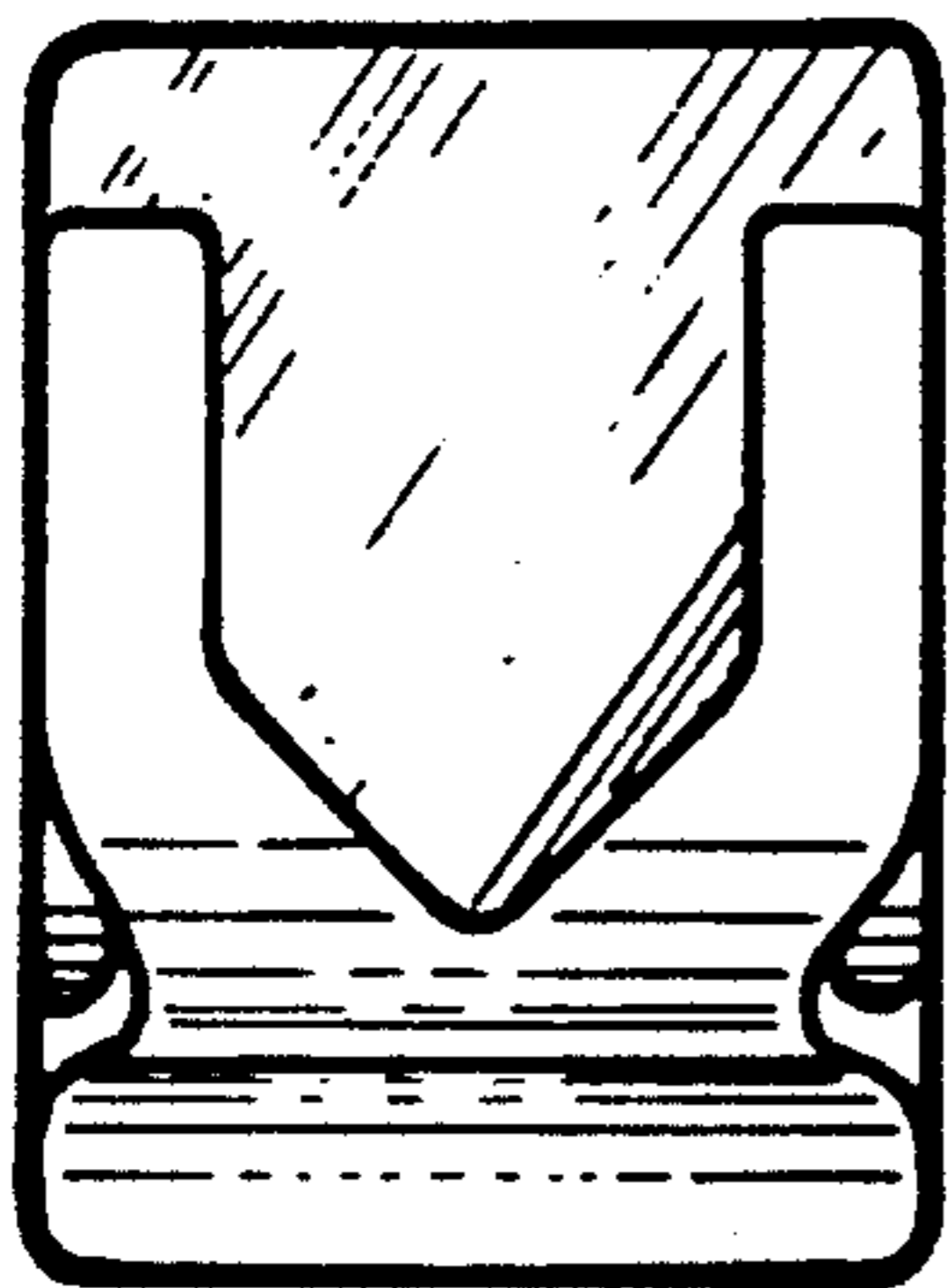


FIG. 3

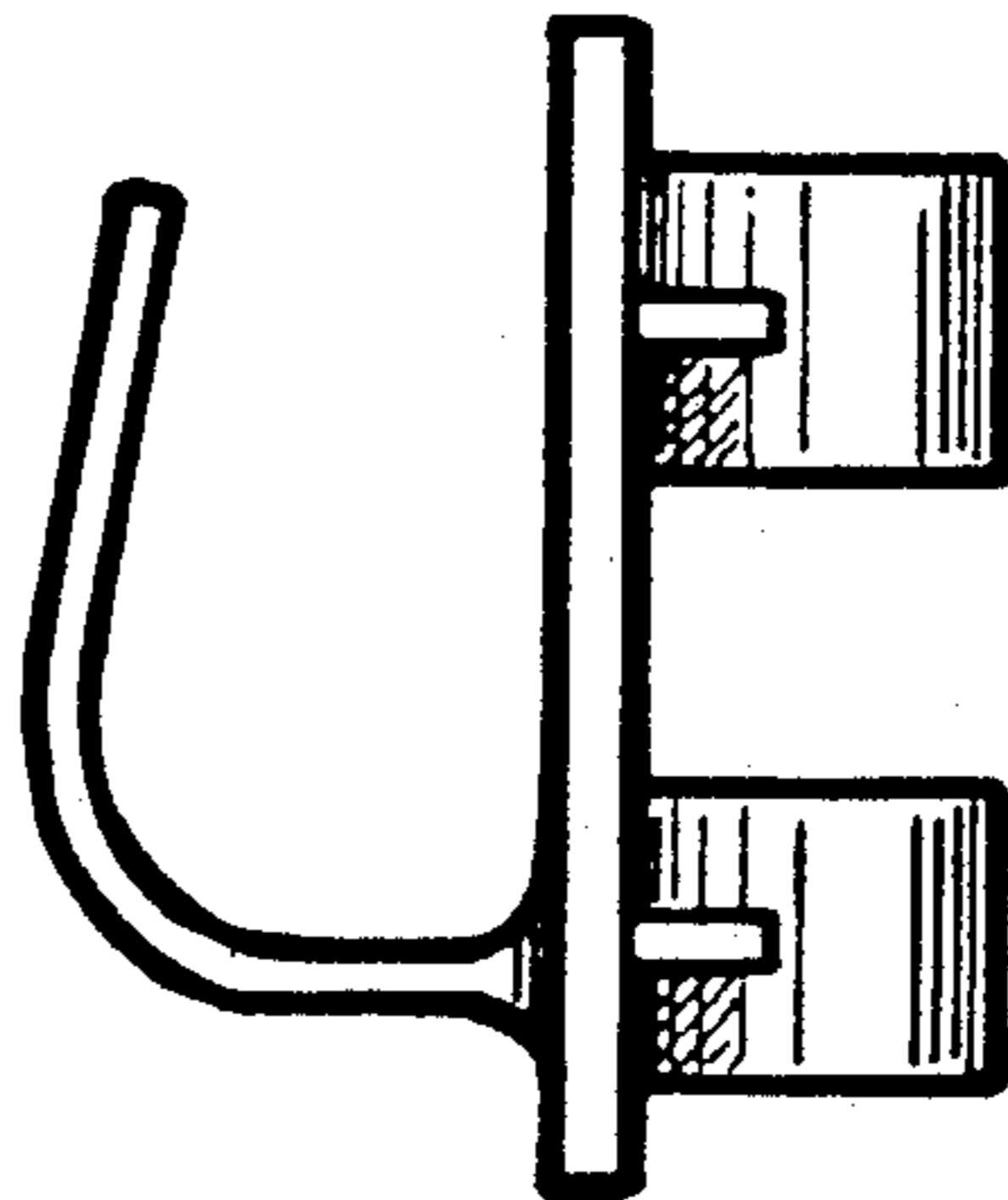


FIG. 4

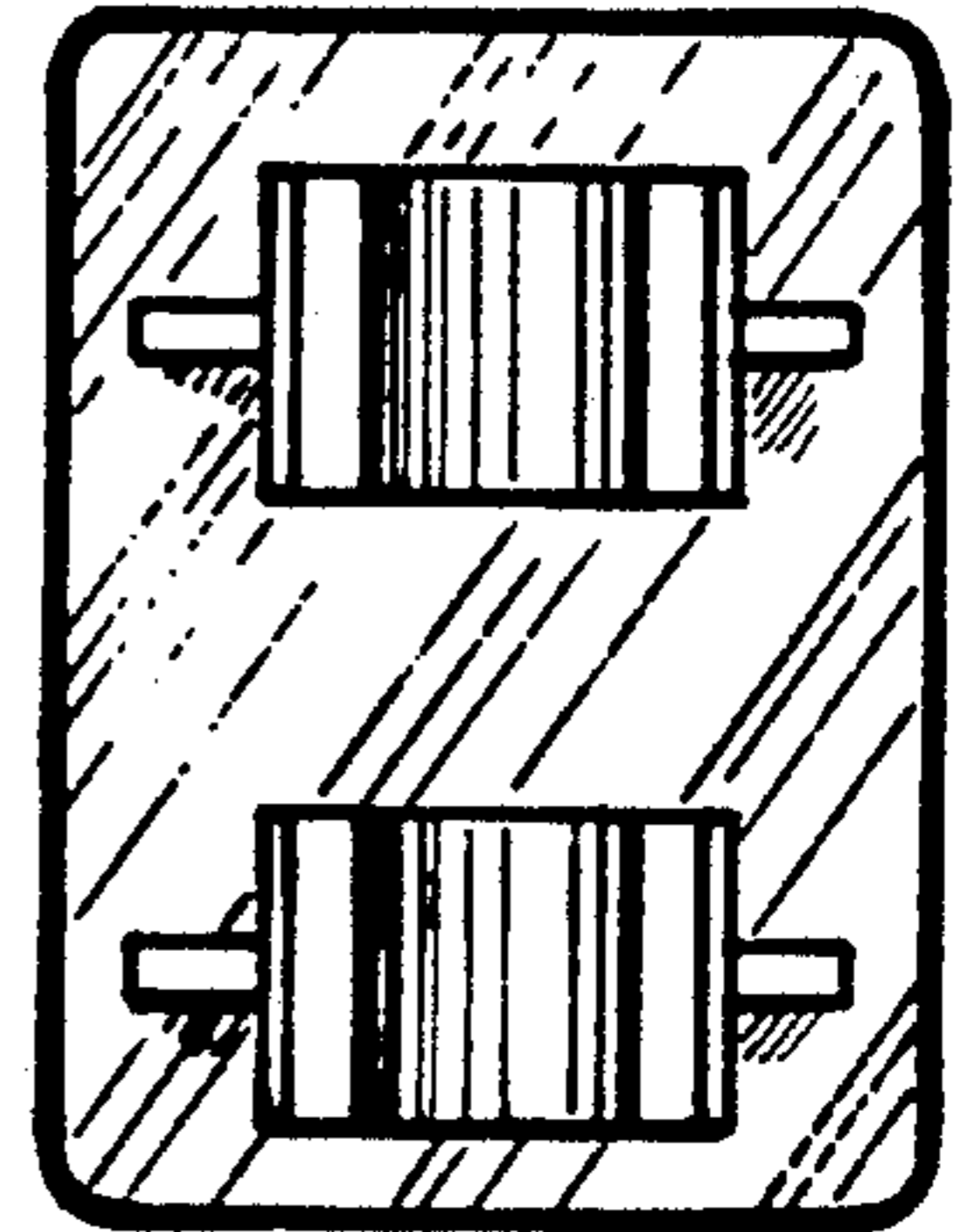


FIG. 5

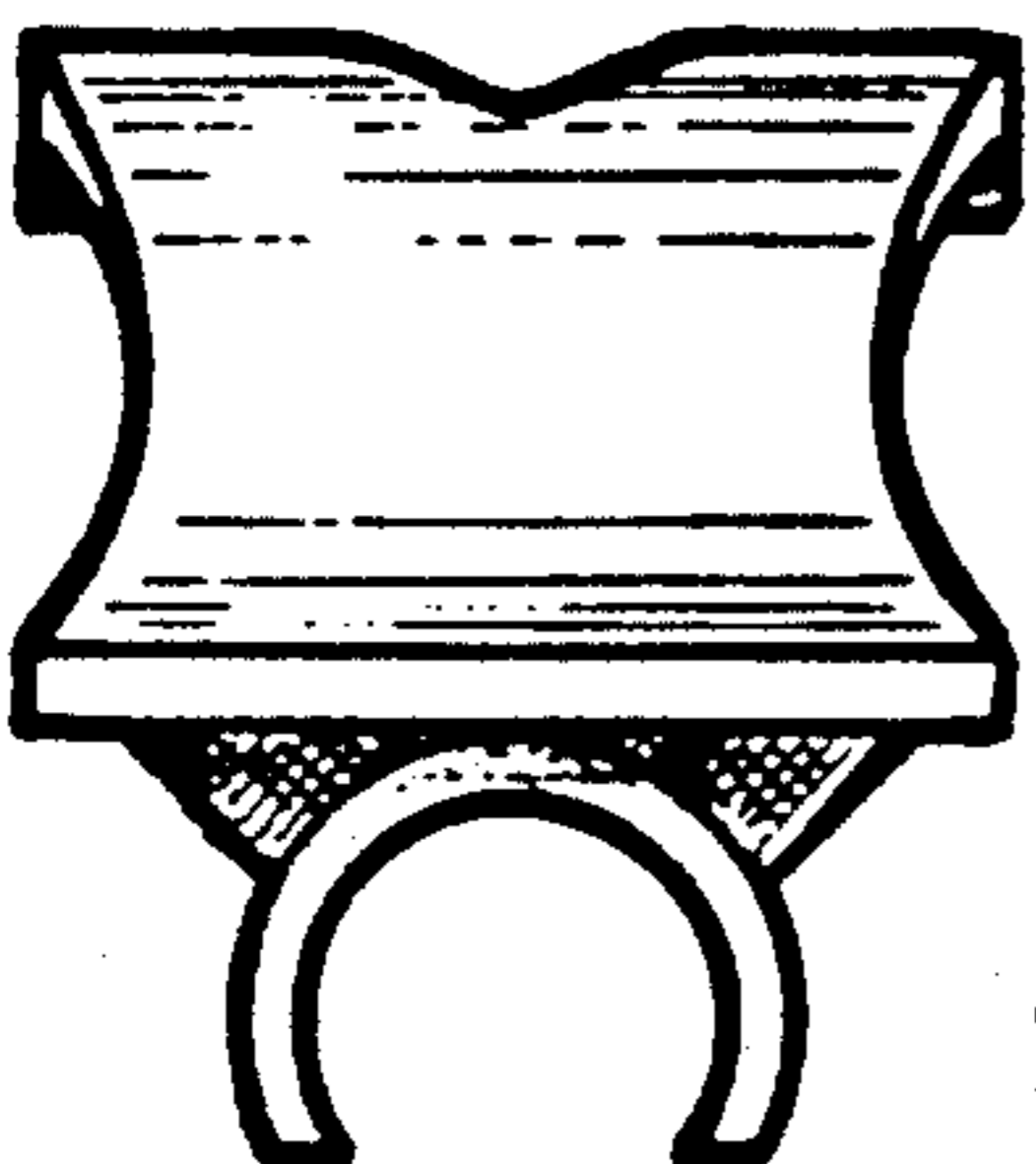


FIG. 6