



US00D323613S

United States Patent [19]

[11] Patent Number: **Des. 323,613**

Cummins et al.

[45] Date of Patent: **** Feb. 4, 1992**

[54] **COMBINED ROCKER BUTTON AND BEZEL**

[75] Inventors: **Leonard D. Cummins**, Cedarville;
Gary L. Turner, Polo, both of Ill.

[73] Assignee: **Honeywell Inc.**, Minneapolis, Minn.

[**] Term: **14 Years**

[21] Appl. No.: **311,028**

[22] Filed: **Feb. 13, 1989**

[52] U.S. Cl. **D8/353; D13/169**

[58] Field of Search **D8/350-353;**
D13/158, 167-171; 174/66; 200/310, 332, 341;
220/241; 323/905

Advertisement by McGill Manufacturing Company for a "euro-styled designer switch", undated.

Advertising brochure of the Aero Hart Division of Crouse-Hinds Company, undated, Form No. 1968B captioned "Aero Hart miniature snap-in rocker switches".

Advertising brochure of the Aero Hart Division of Crouse-Hinds Company Form No. SS0102 captioned "1600/2600 Series Subminiature Rocker and Paddle Switches", undated.

Micro Switch Catalog 30 captioned "Manual Switches", undated.

Primary Examiner—Bernard Ansher

Assistant Examiner—Sandra Morris

Attorney, Agent, or Firm—William D. Lanyi

[56] **References Cited**

U.S. PATENT DOCUMENTS

D. 216,395	12/1969	Gallop	D13/169
D. 284,261	6/1986	Sorenson	D8/350
D. 284,277	6/1986	Sorenson	D13/169
2,761,936	9/1956	Verkuil	D13/171

FOREIGN PATENT DOCUMENTS

1363425	8/1974	United Kingdom	174/66
2116121	9/1983	United Kingdom	176/66

OTHER PUBLICATIONS

Carlingswitch advertising flyer captioned "Introducing Curvette", undated.

[57] **CLAIM**

The ornamental design for a combined rocker button and bezel, as shown as described.

DESCRIPTION

FIG. 1 is a perspective view of a combined rocker button and bezel showing our new design;

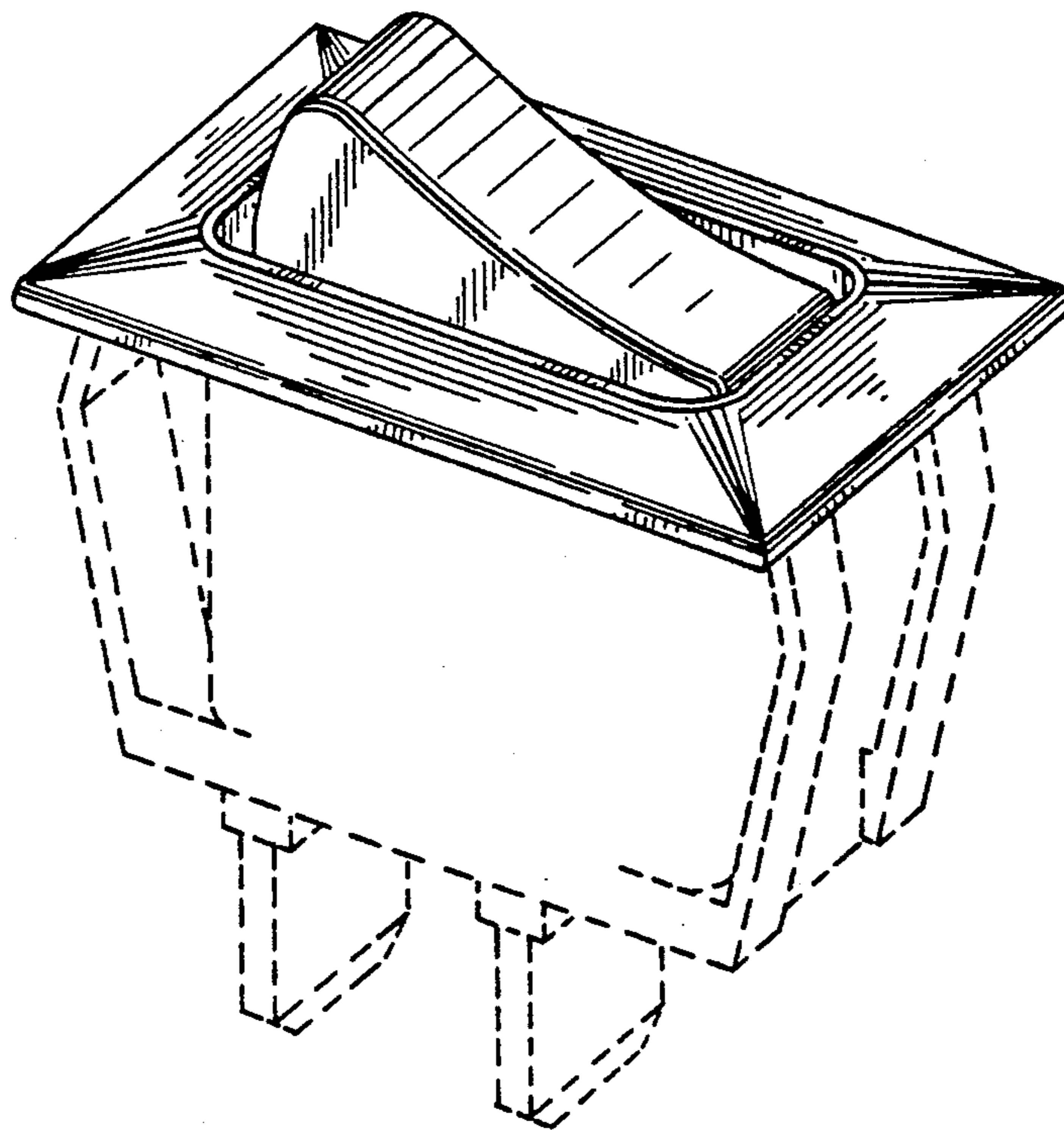
FIG. 2 is a top plan view thereof;

FIG. 3 is a left side elevation view thereof, the right side being identical;

FIG. 4 is a front view thereof; and

FIG. 5 is a back end elevation view thereof.

The broken line showing of a switch is for illustrative purposes only, and forms no part of the claimed design.



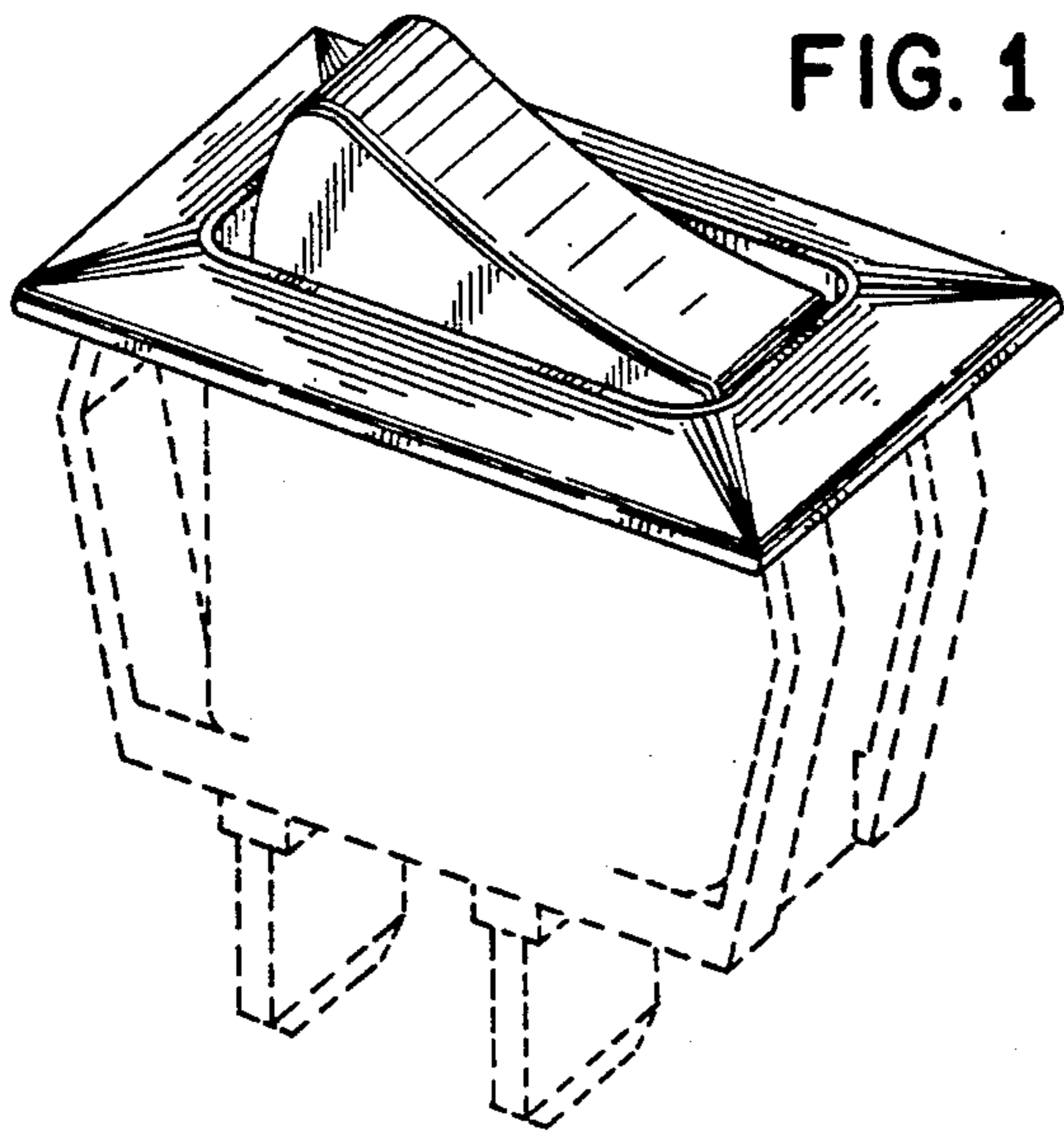


FIG. 1

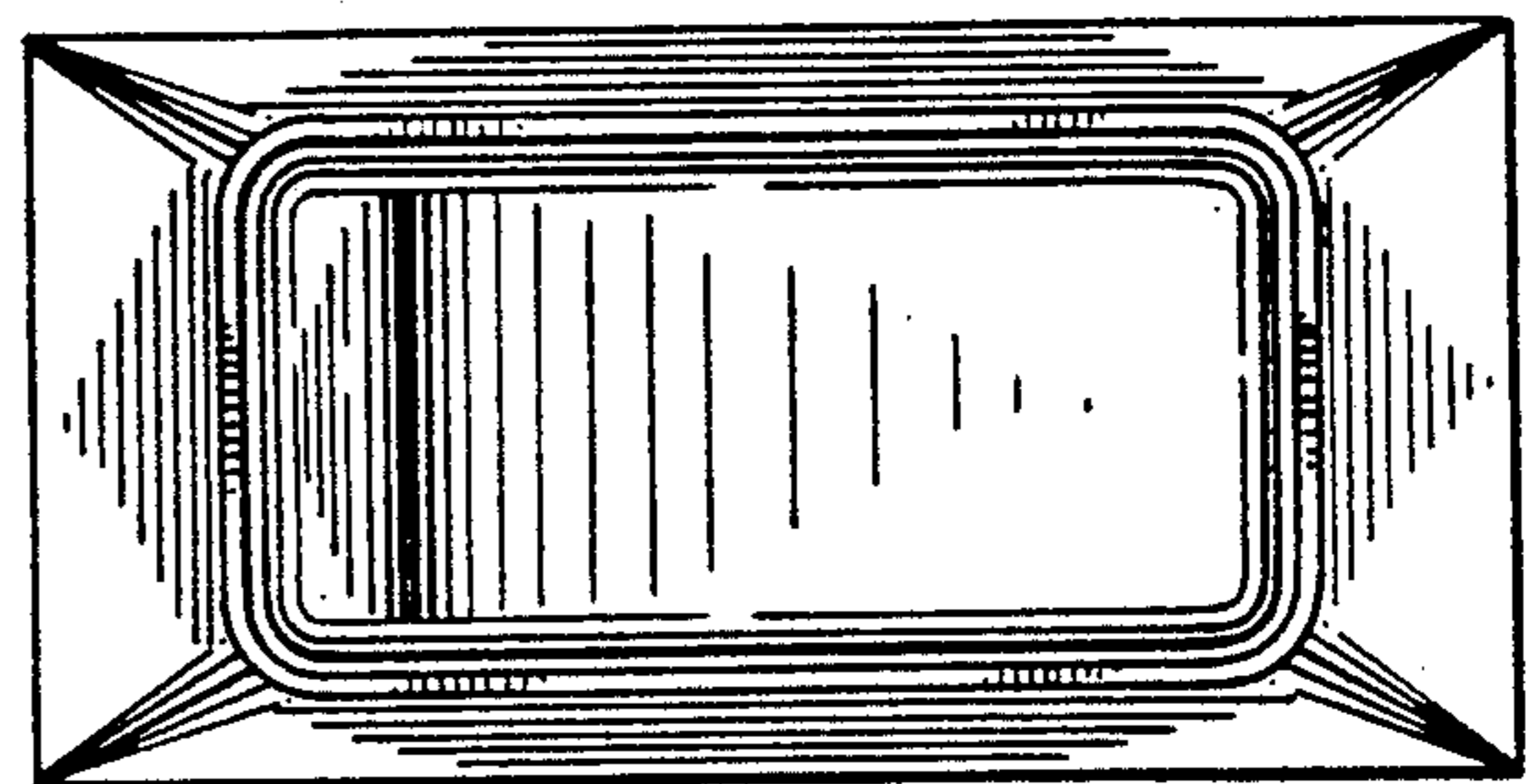


FIG. 2

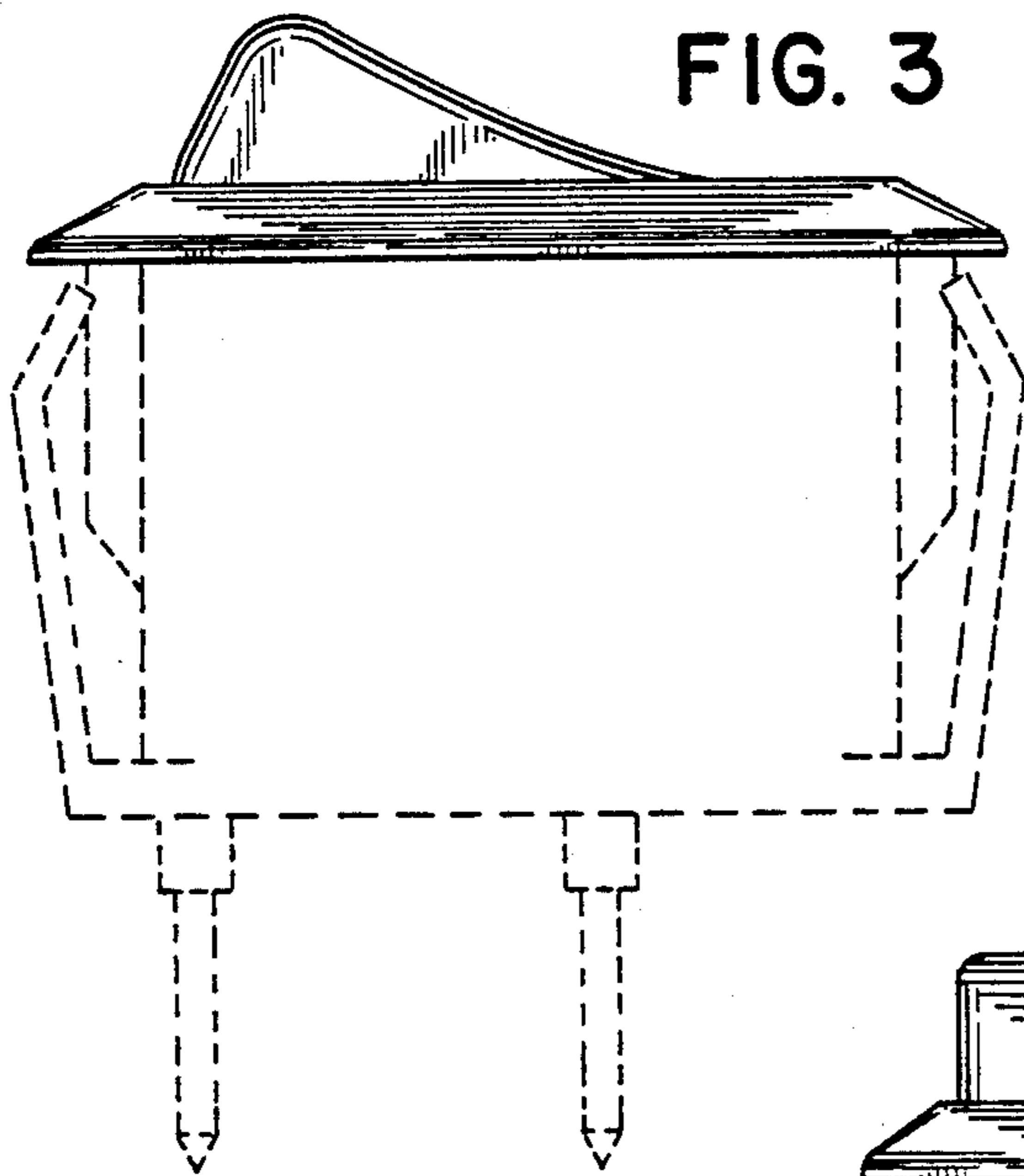


FIG. 3

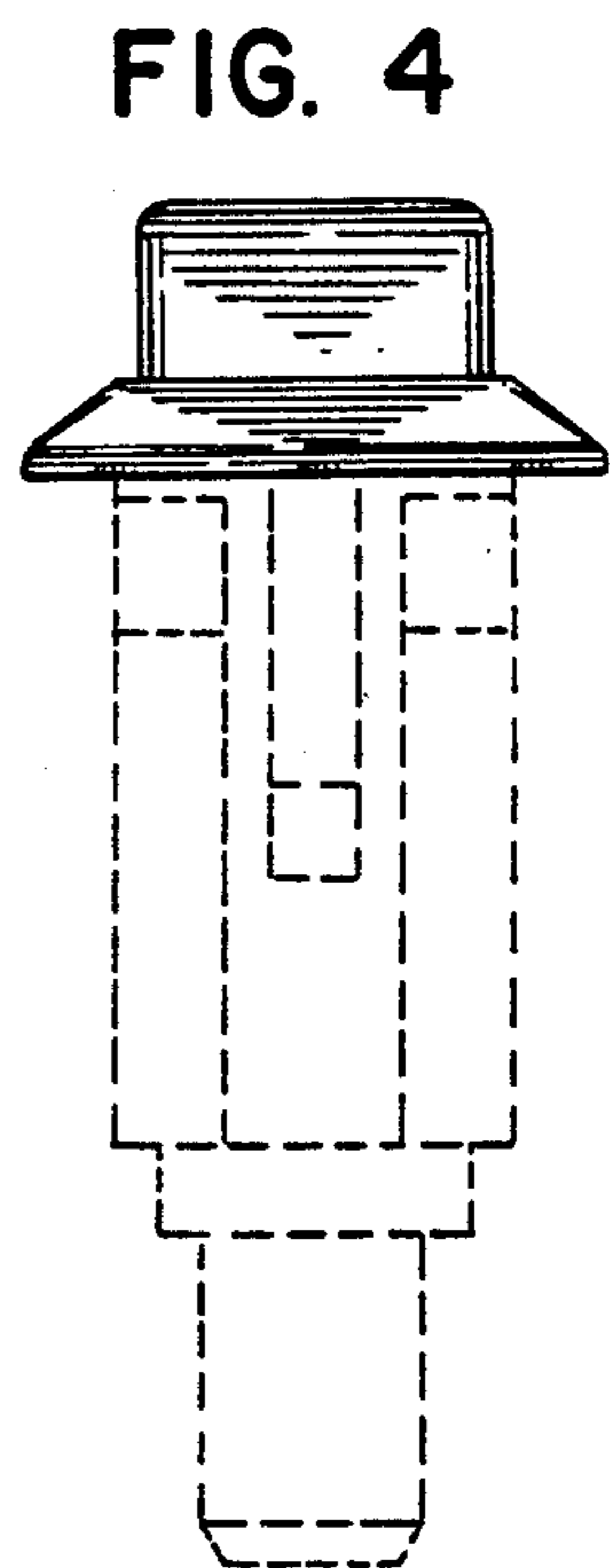


FIG. 4

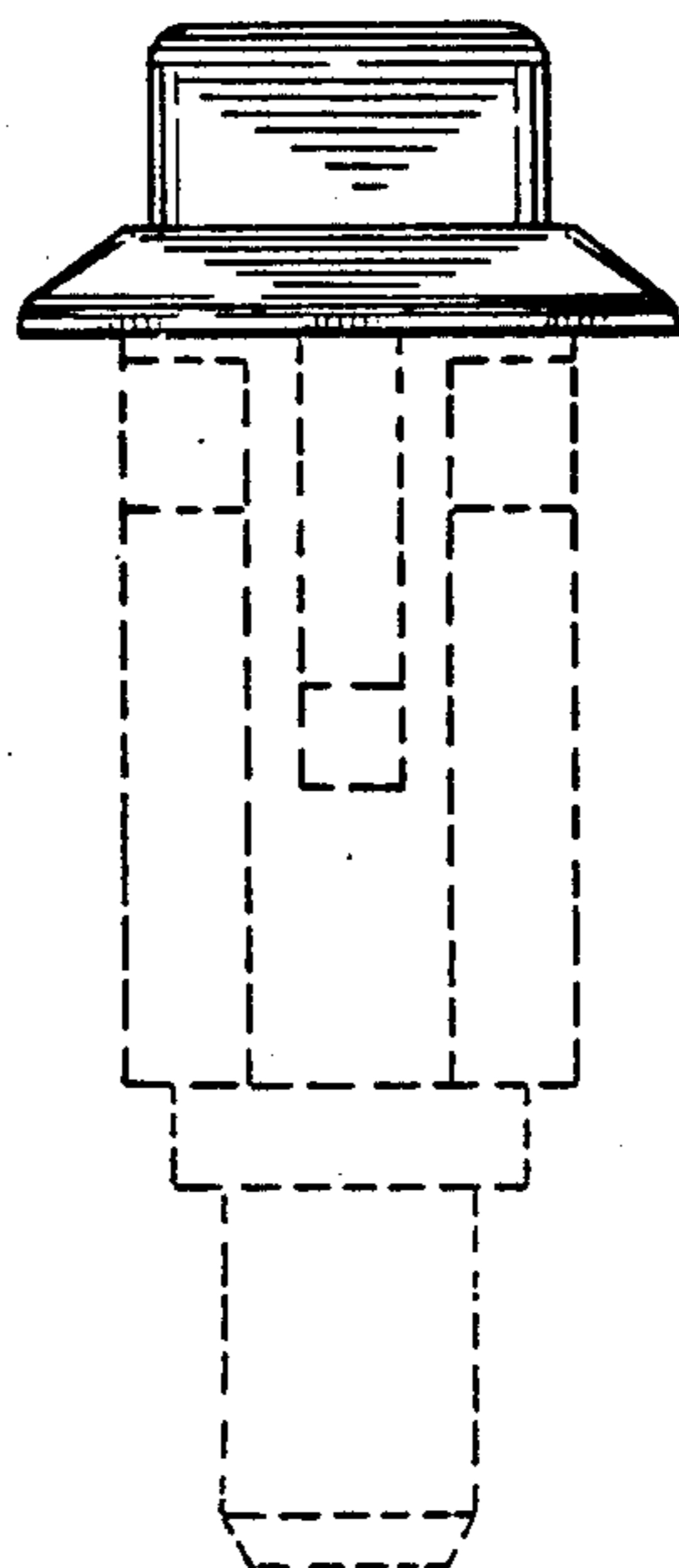


FIG. 5