



US00D323611S

# United States Patent [19]

[11] Patent Number: **Des. 323,611**

Jan et al.

[45] Date of Patent: **\*\* Feb. 4, 1992**

[54] **AUTOMOBILE STEERING WHEEL LOCK**

D. 312,202 11/1990 Wang ..... D8/331 X  
4,103,524 8/1978 Mitchell et al. .... 70/209  
4,935,047 6/1990 Wu ..... 70/209

[76] Inventors: **Shwv M. Jan**, No. 7-2, Alley 13, Lane 54, Sec. 2, Hsing Nan Road, Chung Heh Shih, Taipei Hsien; **Hsien P. Chen**, No. 76, Lane 274, Chung Cheng South Road, Yung Kang Hsiang, Tainan Hsien, both of Taiwan

**FOREIGN PATENT DOCUMENTS**

2039840 8/1980 United Kingdom ..... 70/209 X

*Primary Examiner*—Brian N. Vinson  
*Attorney, Agent, or Firm*—Bacon & Thomas

[\*\*] Term: **14 Years**

[57] **CLAIM**

The ornamental design for an automobile steering wheel lock, as shown and described.

[21] Appl. No.: **592,318**

**DESCRIPTION**

[22] Filed: **Oct. 1, 1990**

FIG. 1 is a top, front, and left side elevational view of an automobile steering wheel lock showing our new design;

[52] U.S. Cl. .... **D8/331**

FIG. 2 is a front elevational view thereof;

[58] Field of Search ..... **D8/330-346;**  
70/207-211, 214-217, 225-227, 237-238,  
252-253

FIG. 3 is a rear elevational view thereof;

FIG. 4 is a left side elevational view thereof;

FIG. 5 is a right side elevational view thereof;

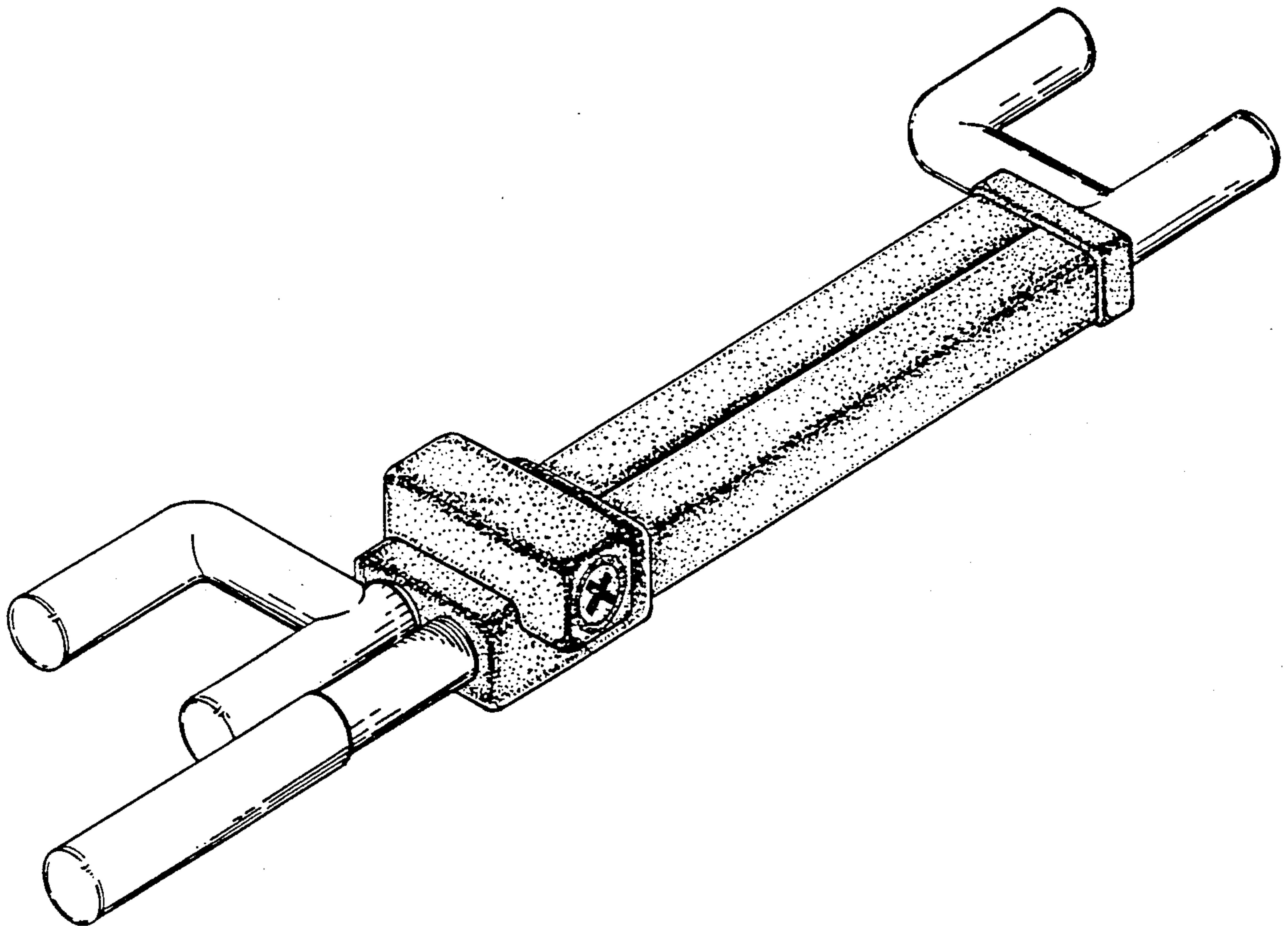
FIG. 6 is a top plan view thereof; and

FIG. 7 is a bottom plan view thereof.

[56] **References Cited**

**U.S. PATENT DOCUMENTS**

D. 289,491 4/1987 Johnson ..... D8/330



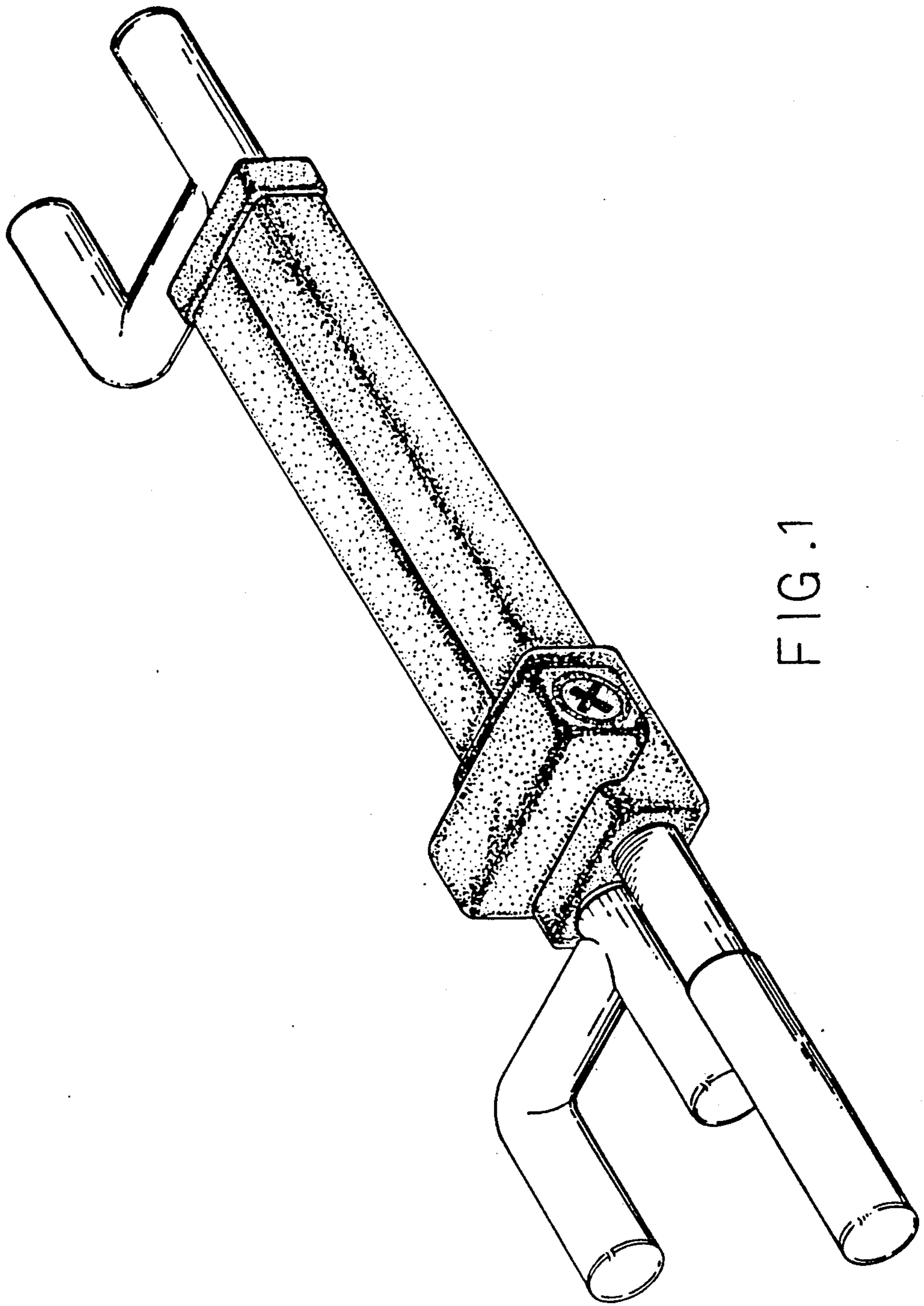


FIG. 1

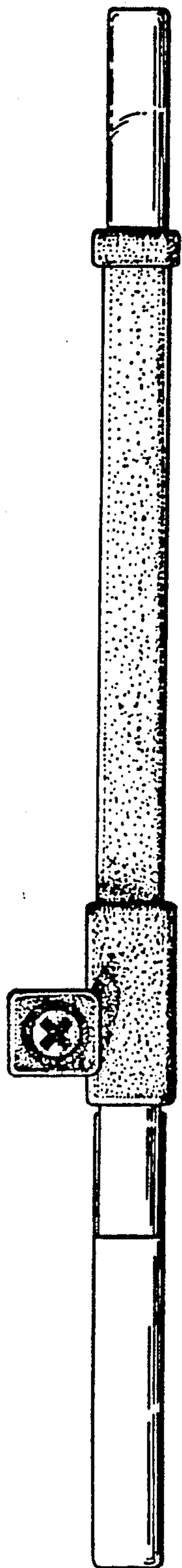


FIG. 2

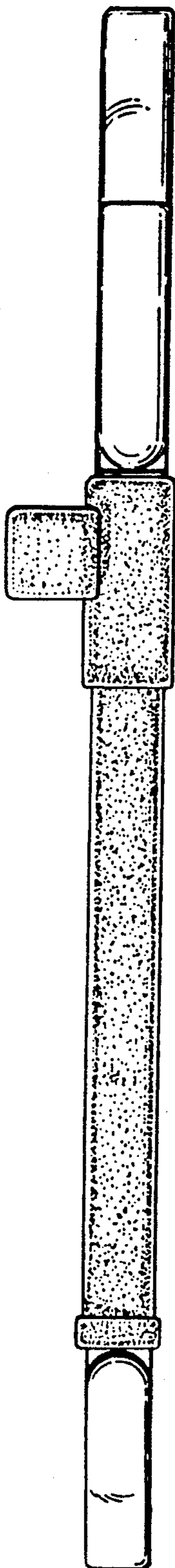


FIG. 3

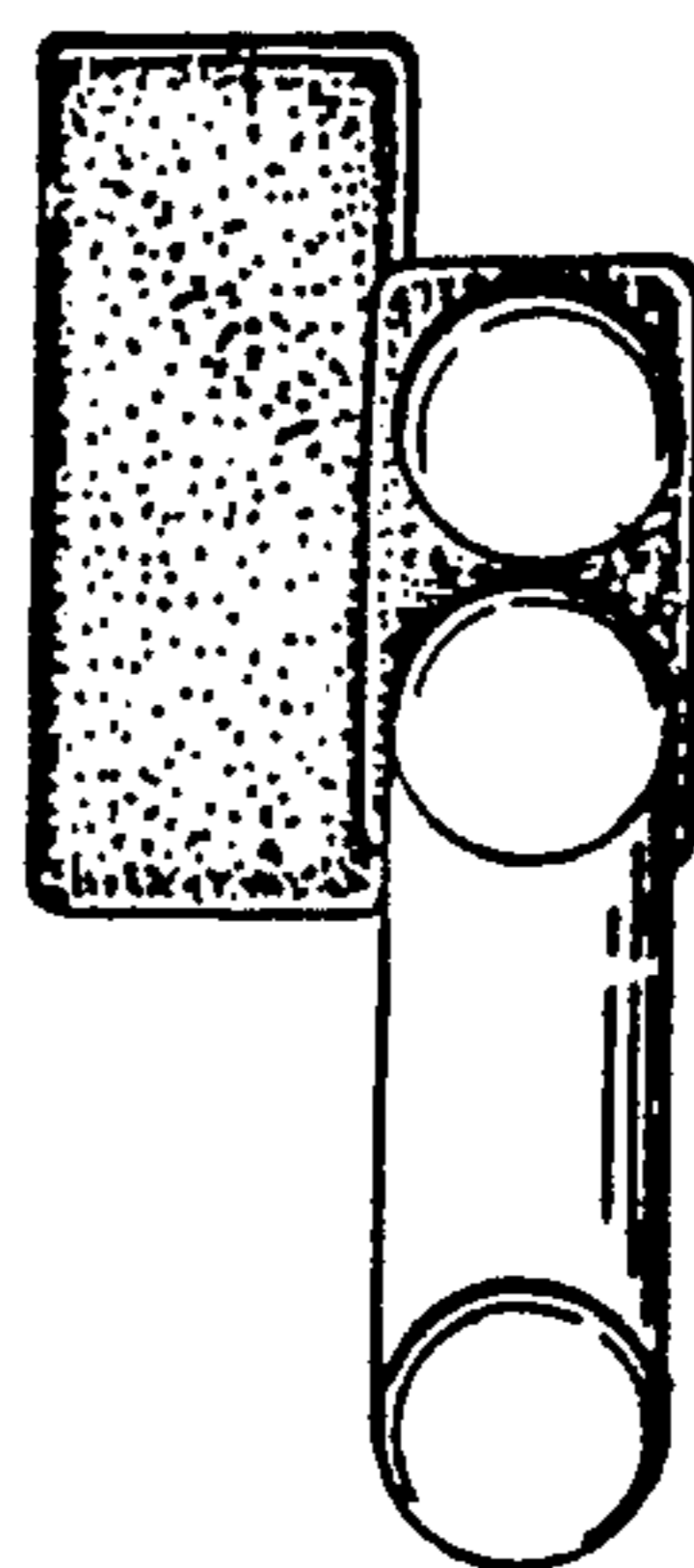


FIG. 4

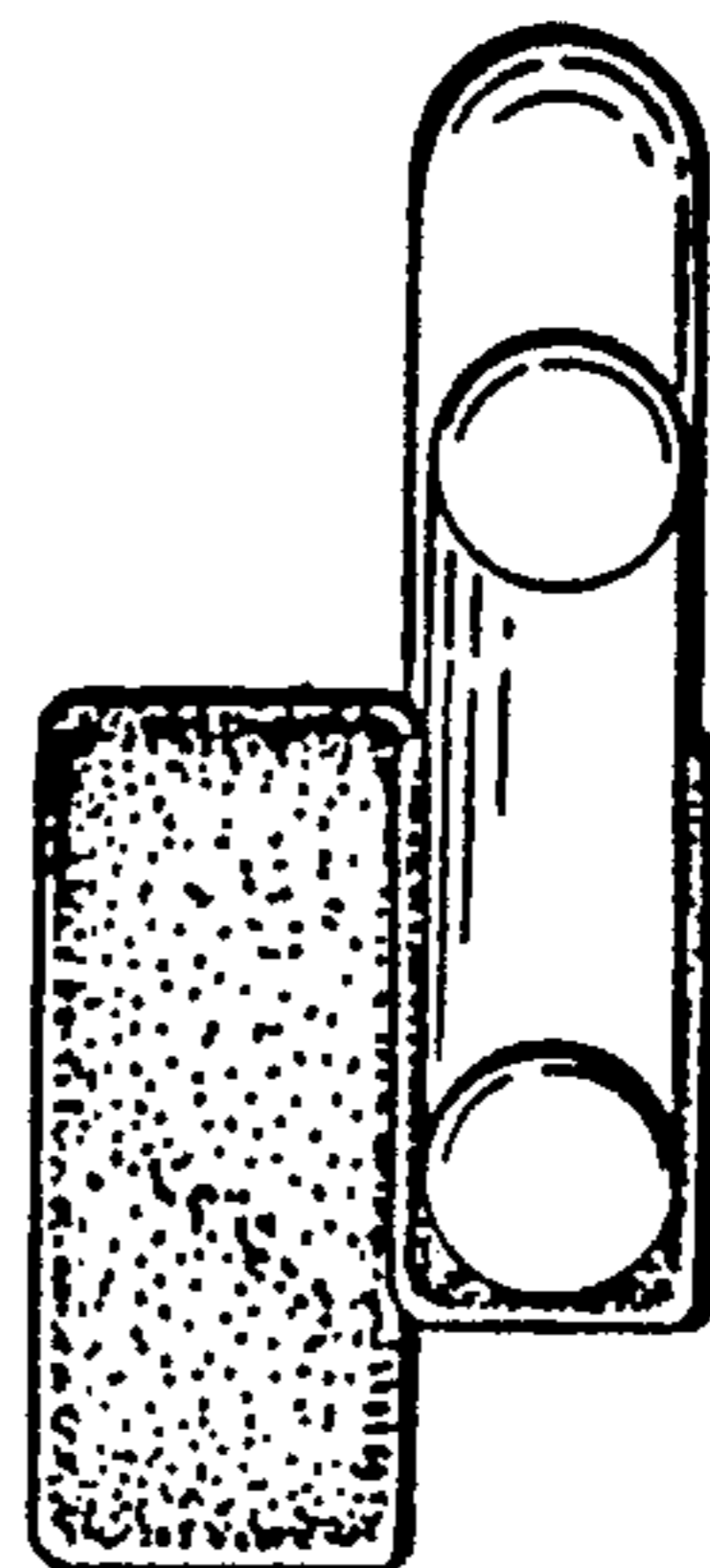


FIG. 5

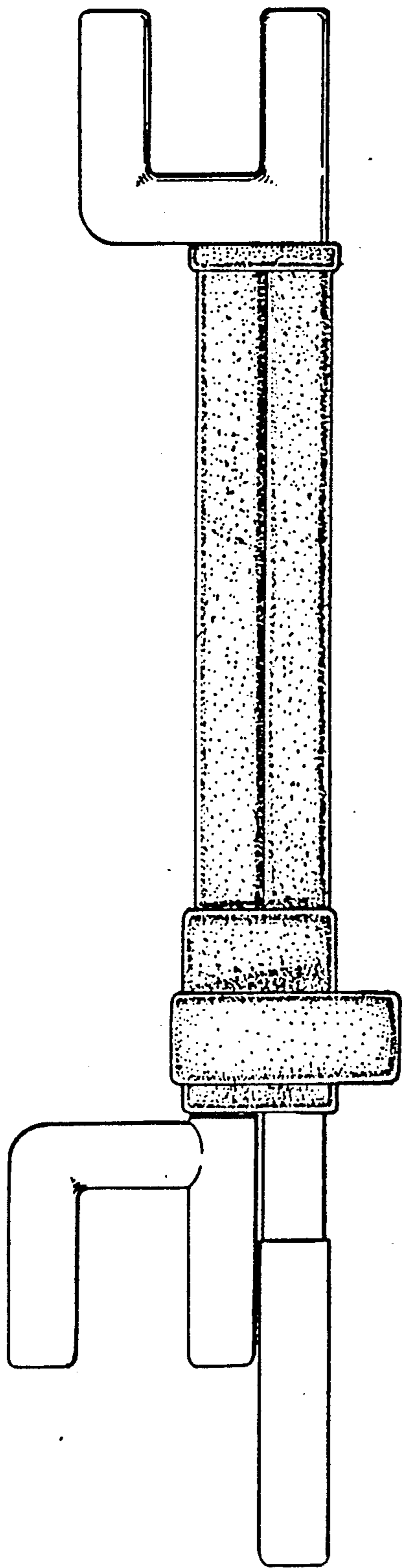


FIG. 6

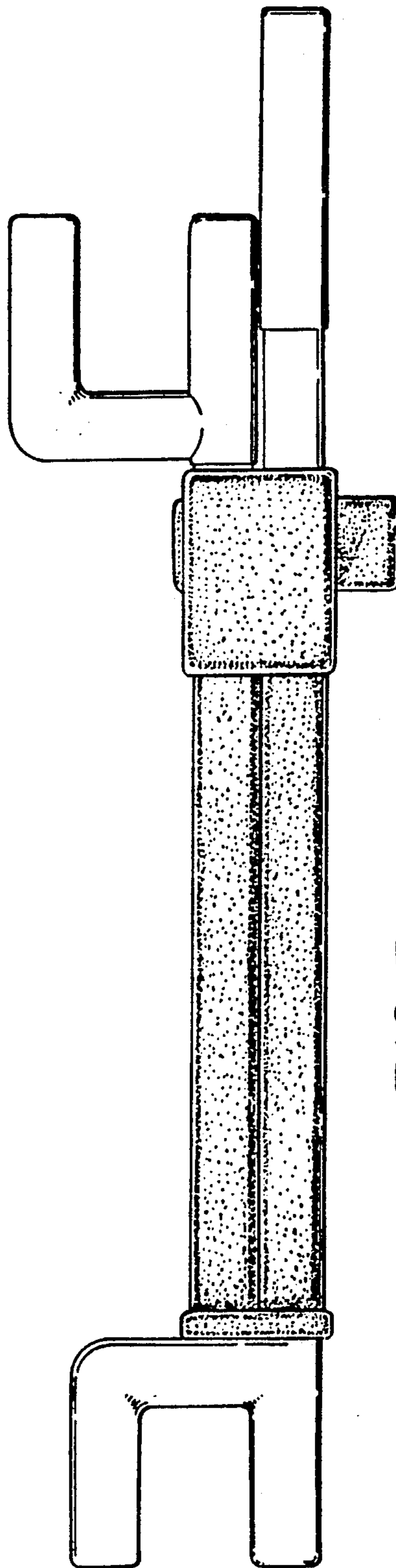


FIG. 7