



US00D323608S

# United States Patent [19]

[11] Patent Number: **Des. 323,608**

Boese et al.

[45] Date of Patent: **\*\* Feb. 4, 1992**

[54] **CABLE SHIELDING CUTTER**

[75] Inventors: **Thomas Boese, Rockford, Ill.; Orville Larsen, Lake Geneva, Wis.**

[73] Assignee: **Greenlee Trextron Inc., Rockford, Ill.**

[\*\*] Term: **14 Years**

[21] Appl. No.: **267,520**

[22] Filed: **Nov. 4, 1988**

[52] U.S. Cl. .... **D8/98; D8/14; D8/51; D8/60; D8/90**

[58] Field of Search ..... **D8/98; D15/139; 30/90.3; 83/454, 924**

[56] **References Cited**

**U.S. PATENT DOCUMENTS**

D. 311,674	10/1990	Löfgren .....	D8/98
674,215	5/1901	Palser et al. ....	188/67
2,031,470	2/1936	Eck et al. ....	30/90.3
2,551,401	5/1951	Underhill .....	30/90.3
2,642,651	6/1953	Palley .....	30/90.3
2,654,941	10/1953	Schleimer .....	30/90.3
2,674,027	4/1954	Kosinski .....	29/69
2,878,550	3/1959	Schleuter .....	30/90.3
3,057,232	10/1962	Cornell, Jr. ....	30/90.1
3,108,373	10/1963	Ruskin .....	30/90.3

3,453,917	7/1969	Perry .....	30/90.3
3,851,387	12/1974	Ducret .....	83/924 X
3,886,655	6/1975	Molnar .....	30/90.3
4,142,290	3/1979	Duckret .....	30/90.3
4,359,819	11/1982	Ducret .....	30/90.3
4,373,258	2/1983	Hutchins .....	D8/98 X
4,753,007	6/1988	Weller .....	30/90.3
4,769,909	9/1988	Ducret .....	30/90.3
4,813,144	3/1989	Korb et al. ....	30/90.3
4,884,339	12/1989	Custin .....	30/90.3 X
4,977,671	12/1990	Ducret .....	30/90.3 X

*Primary Examiner*—Bruce W. Dunkins  
*Assistant Examiner*—Monica A. Hannon  
*Attorney, Agent, or Firm*—Trexler, Bushnell, Giangiorgi & Blackstone, Ltd.

[57] **CLAIM**

The ornamental design for a cable shielding cutter, as shown and described.

**DESCRIPTION**

FIG. 1 is a top plan view of a cable shielding cutter showing our new design; FIG. 2 is a left side elevational view thereof; FIG. 3 is a right side elevational view thereof; FIG. 4 is a bottom plan view thereof; FIG. 5 is a front elevational view thereof; FIG. 6 is a rear elevational view thereof; and FIG. 7 is a top perspective view thereof.

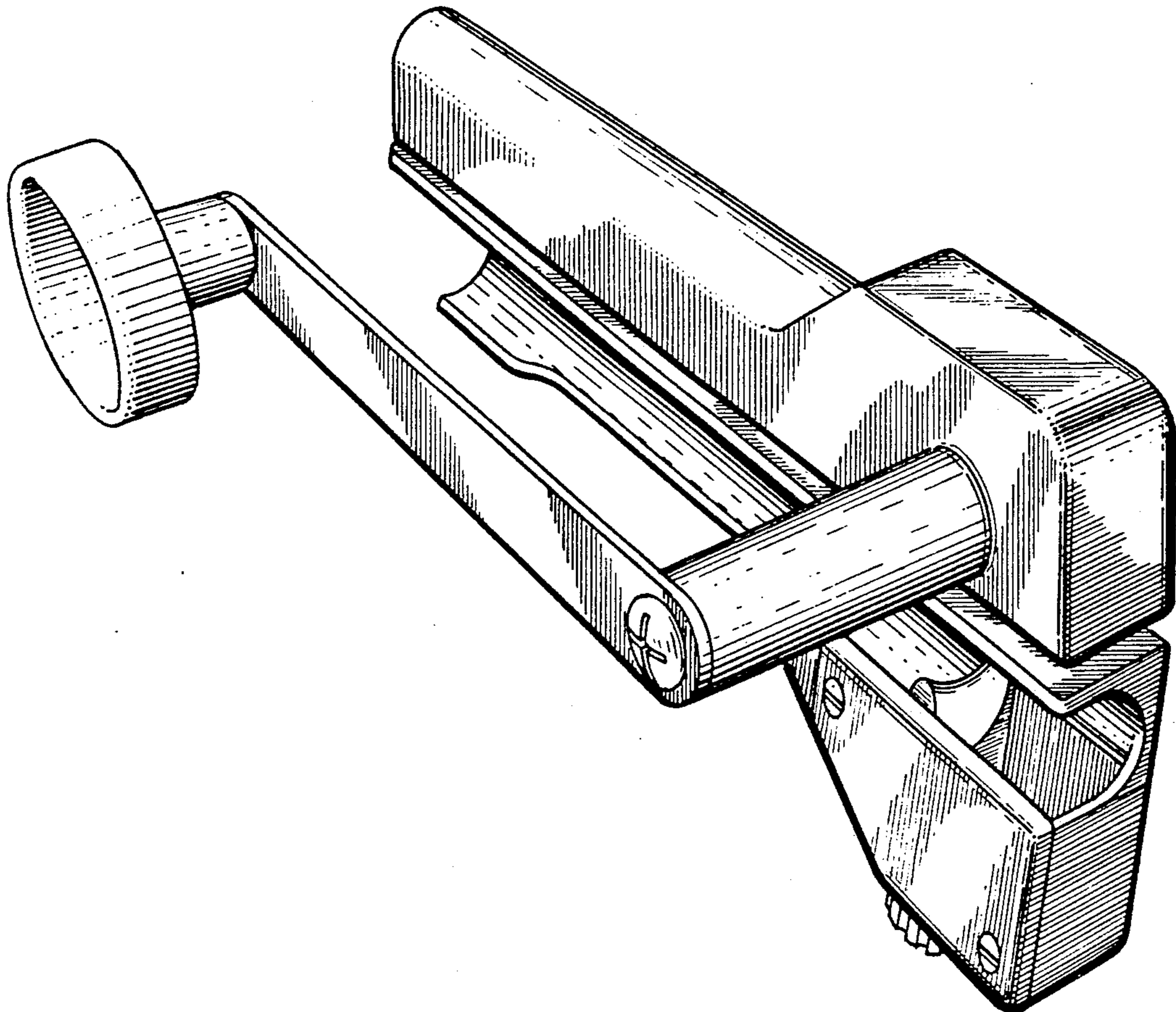


FIG. 1

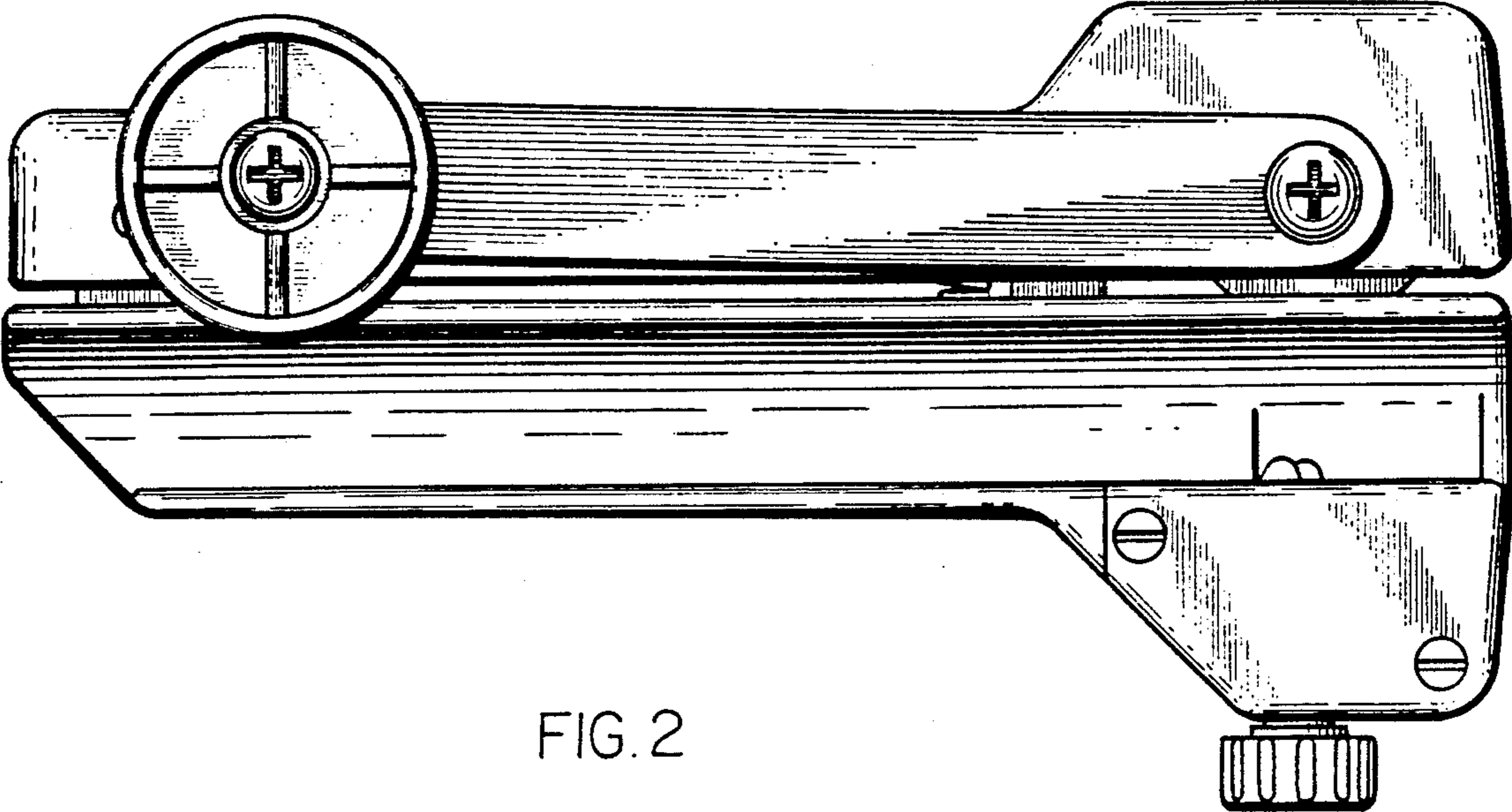


FIG. 2

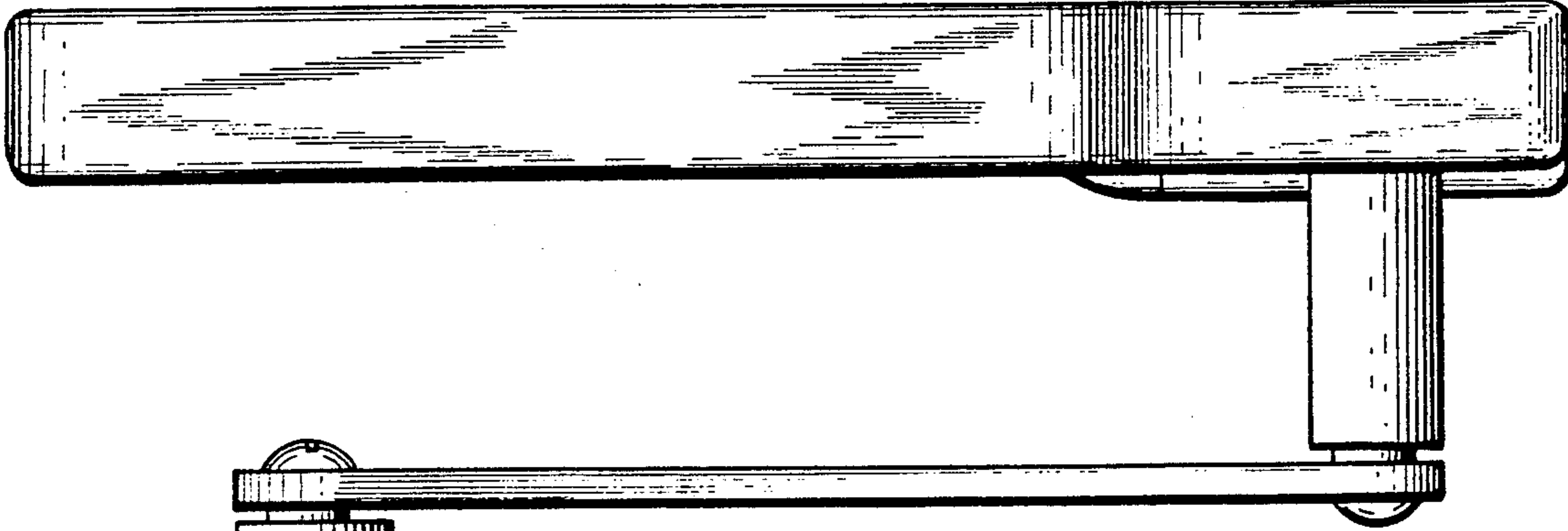
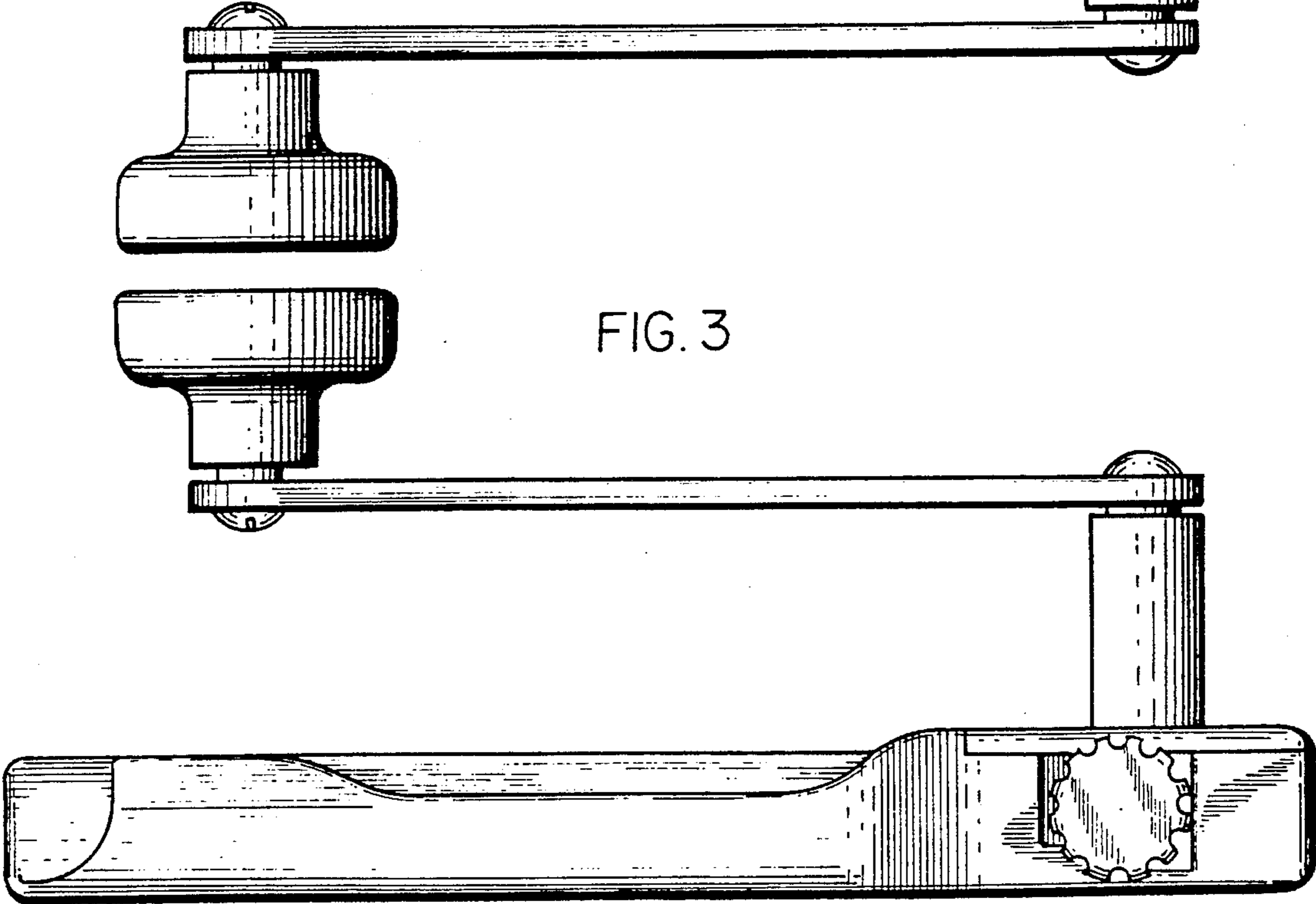


FIG. 3



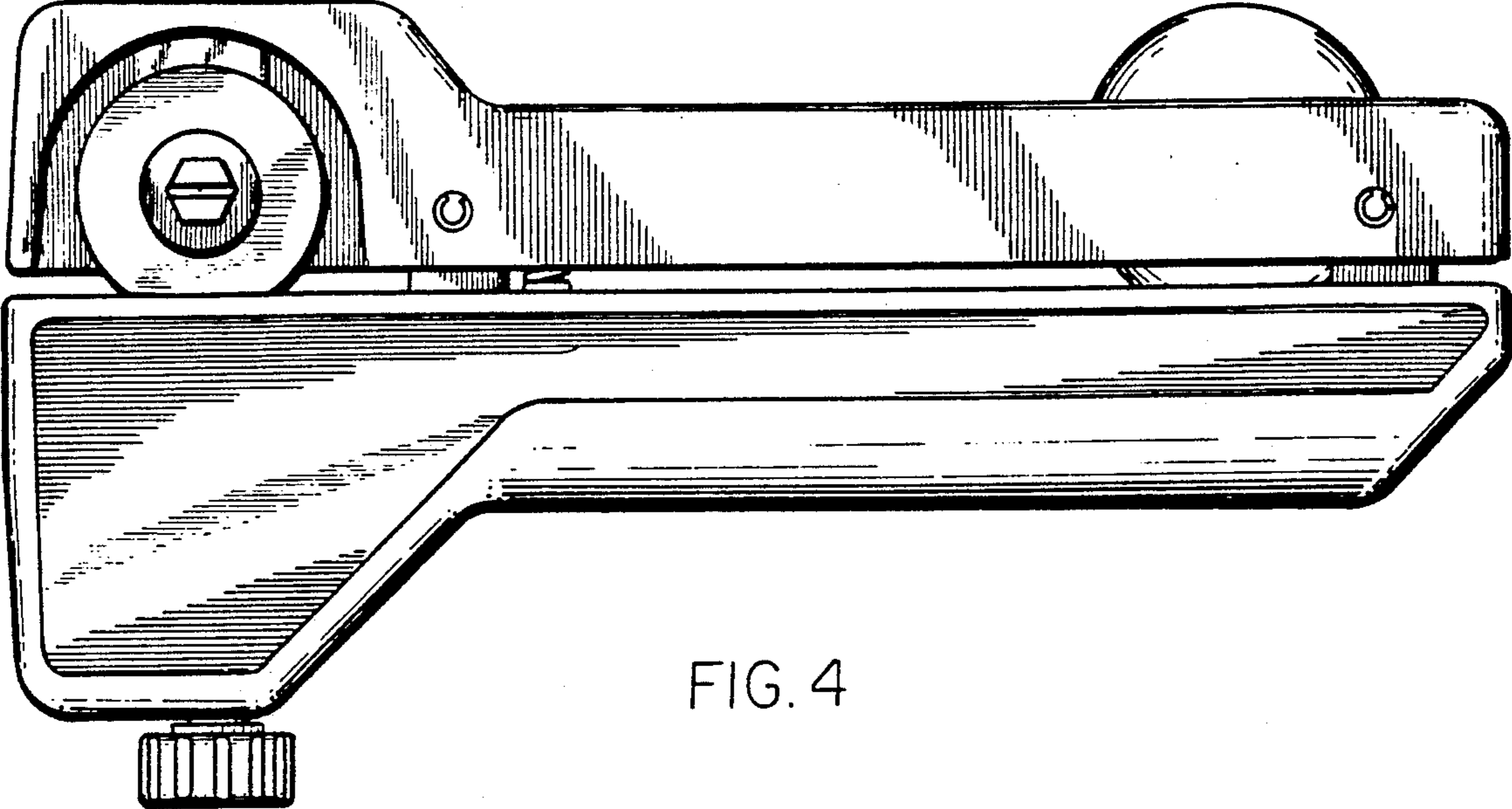


FIG. 4

FIG. 5

FIG. 6

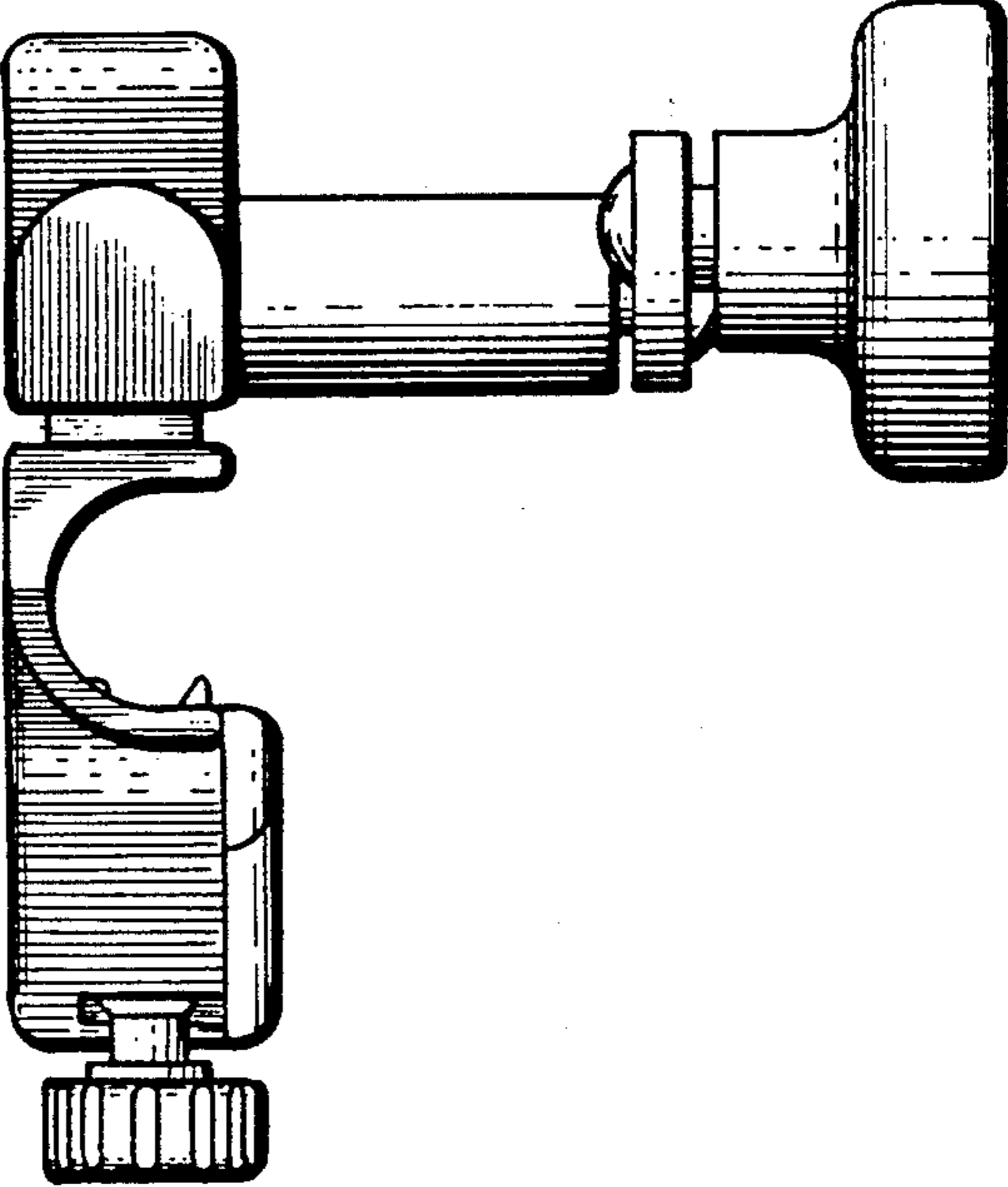
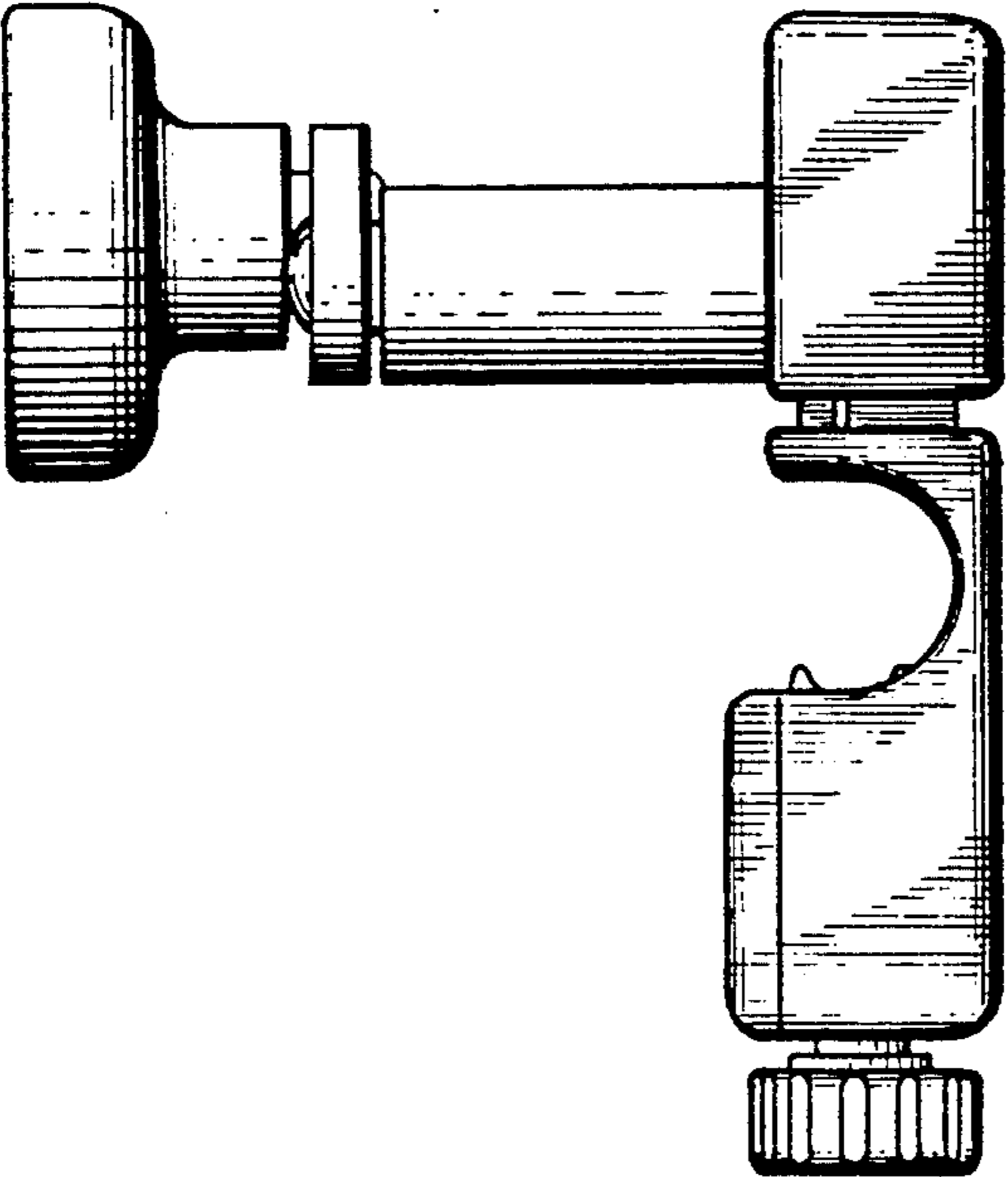


FIG. 7

