



US00D323607S

United States Patent [19]

Zwicker

[11] Patent Number: **Des. 323,607**

[45] Date of Patent: **** Feb. 4, 1992**

[54] **SANDBLASTING GUN**
 [75] Inventor: **Fred Zwicker, Canfield, Ohio**
 [73] Assignee: **Truman's Inc., Canfield, Ohio**
 [**] Term: **14 Years**
 [21] Appl. No.: **375,287**
 [22] Filed: **Jul. 3, 1989**
 [52] U.S. Cl. **D8/68**
 [58] Field of Search **D8/61, 62, 68; 51/410, 51/427, 439; 239/530**

4,735,021 4/1988 Smith 51/410
 4,802,313 2/1989 Smith 51/439
 4,932,592 6/1990 Abbott et al. 51/427
 4,947,589 8/1990 Zwicker 51/410

Primary Examiner—Bruce W. Dunkins
Assistant Examiner—J. H. Musgrove
Attorney, Agent, or Firm—Harpman & Harpman

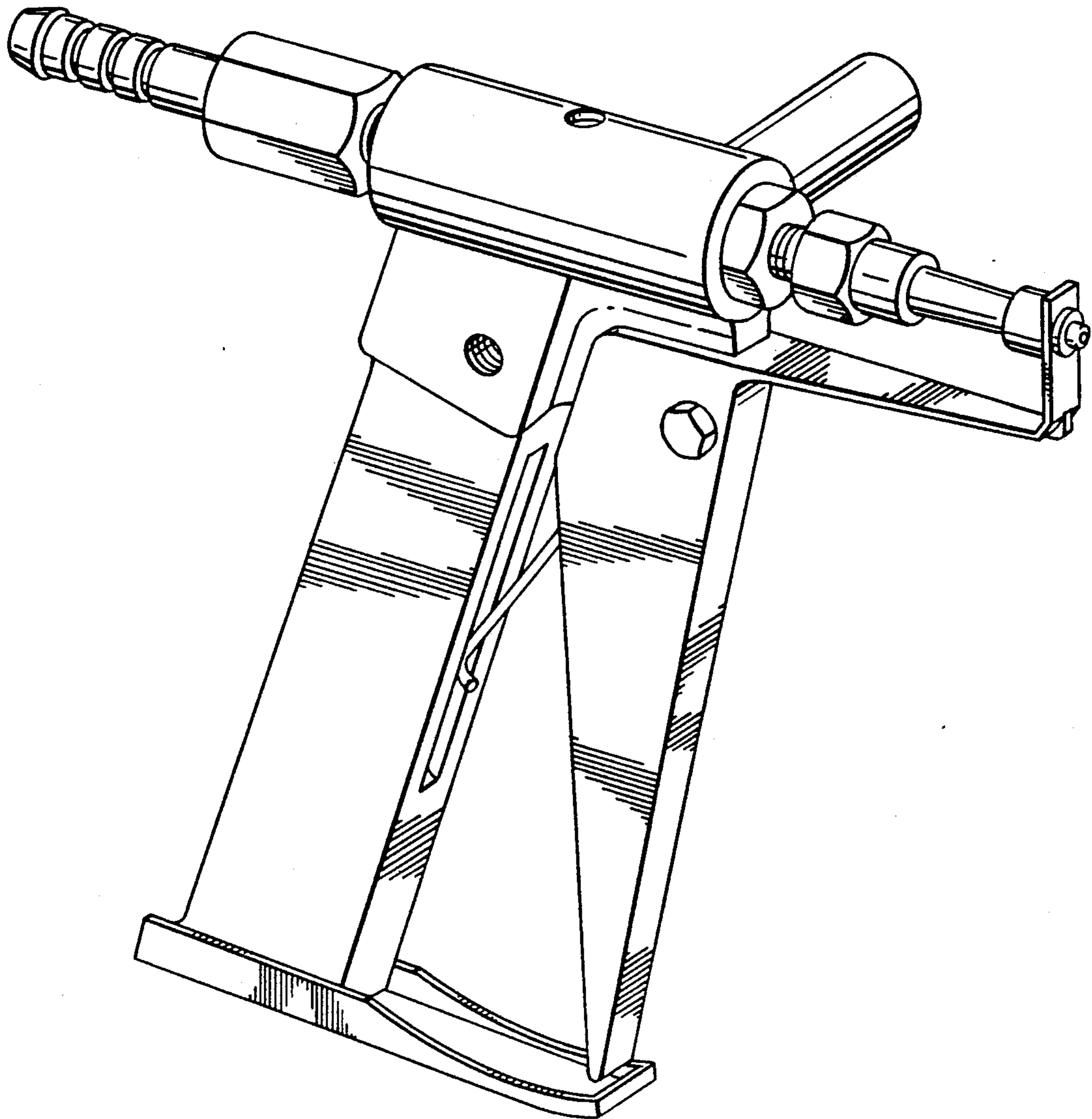
[57] CLAIM

The ornamental design for a sandblasting gun, as shown and described.

DESCRIPTION

FIG. 1 is a top left-side perspective view of a sandblasting gun showing my new design;
 FIG. 2 is a front elevational view;
 FIG. 3 is a right side elevational view;
 FIG. 4 is a top plan view; and
 FIG. 5 is a bottom plan view thereof.

[56] **References Cited**
U.S. PATENT DOCUMENTS
 4,333,277 6/1982 Tasedan 51/427
 4,369,607 1/1983 Bruggeman et al. 51/439
 4,624,080 11/1986 Jakobsson 51/427
 4,674,239 6/1987 Jodoin 51/410



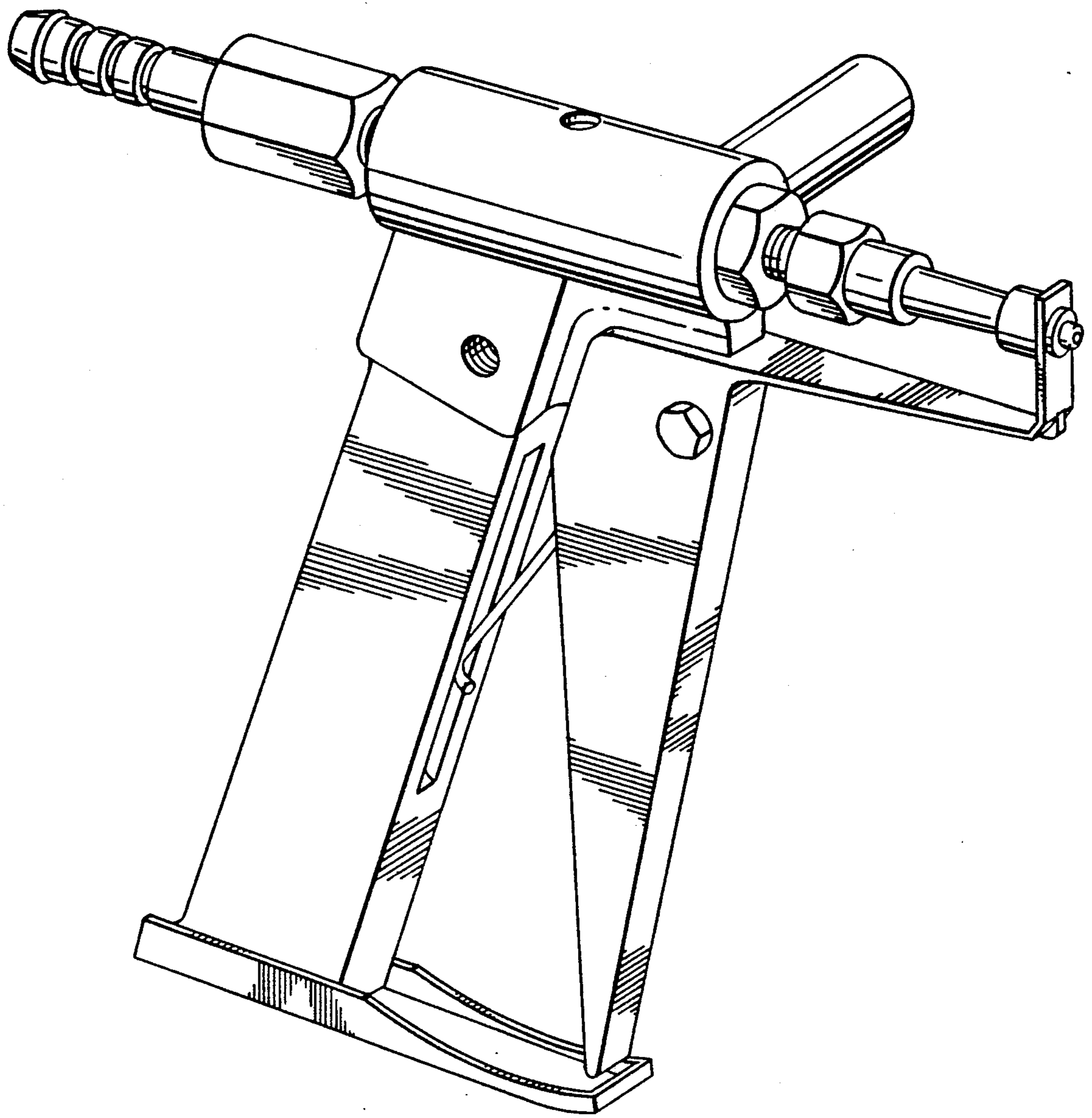


FIG. 1

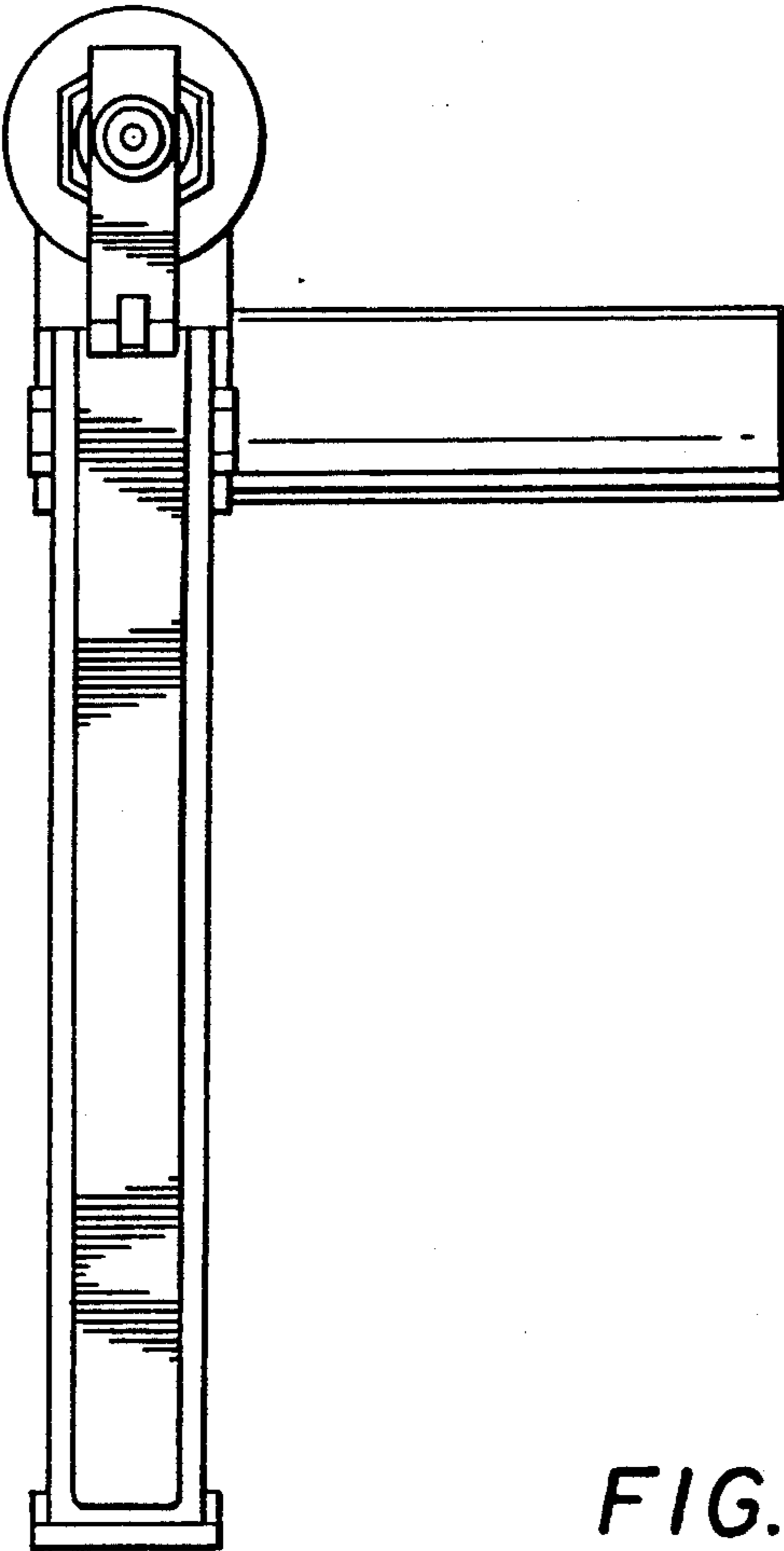


FIG. 2

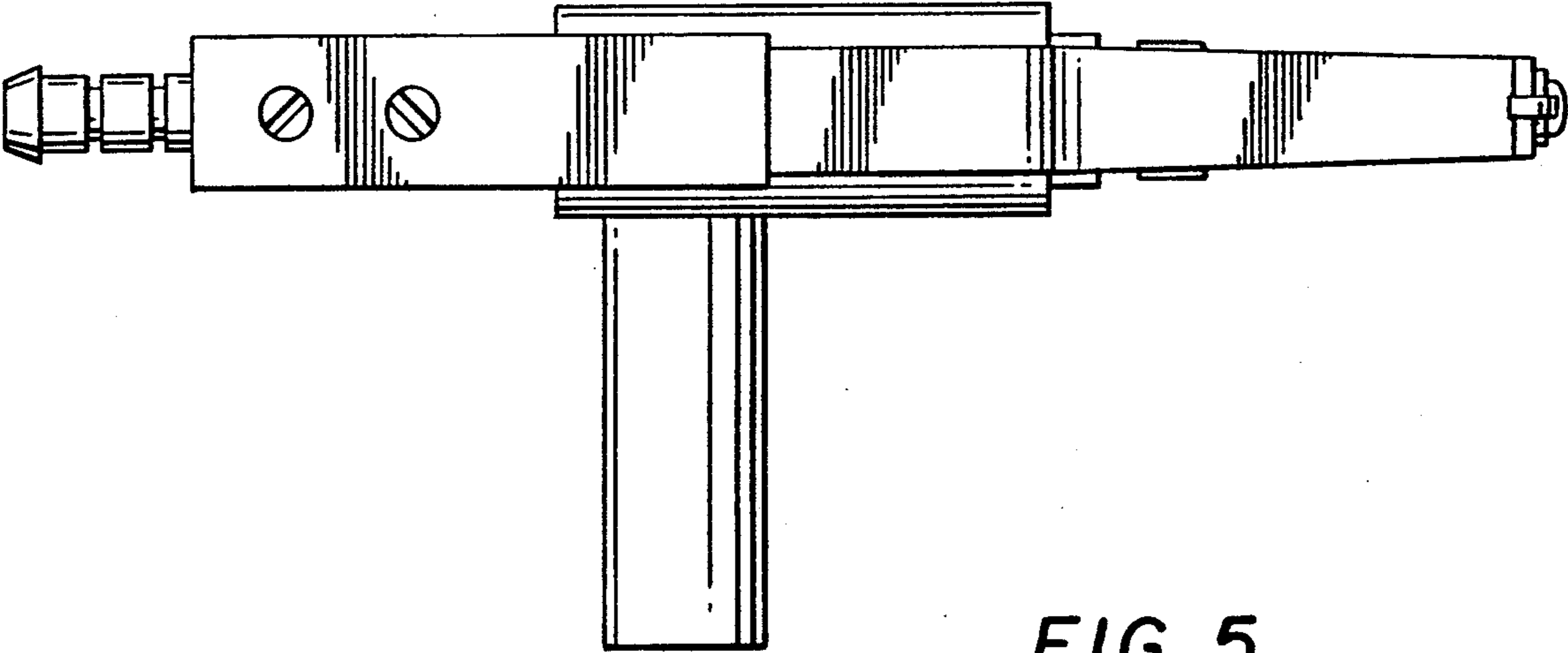


FIG. 5

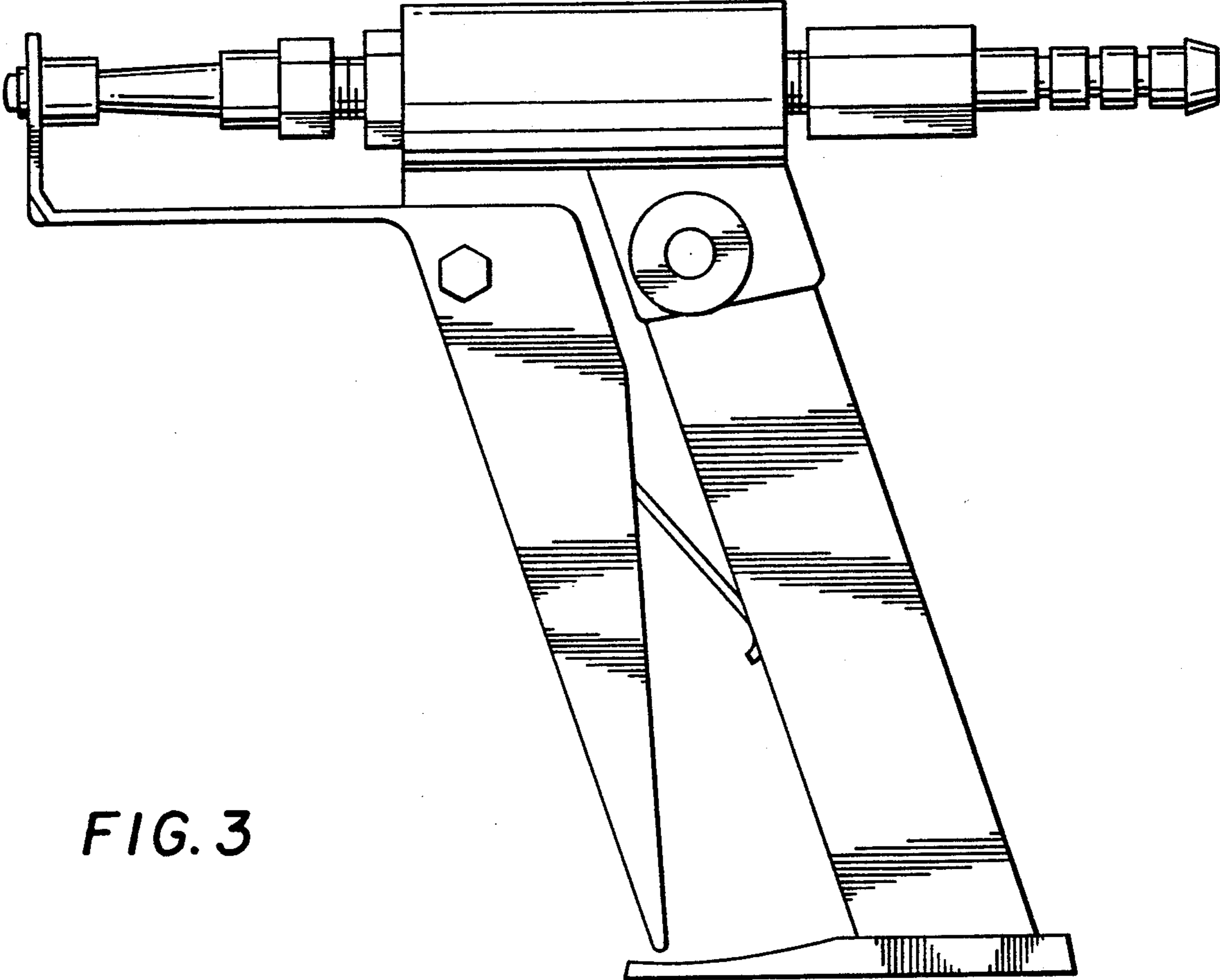


FIG. 3

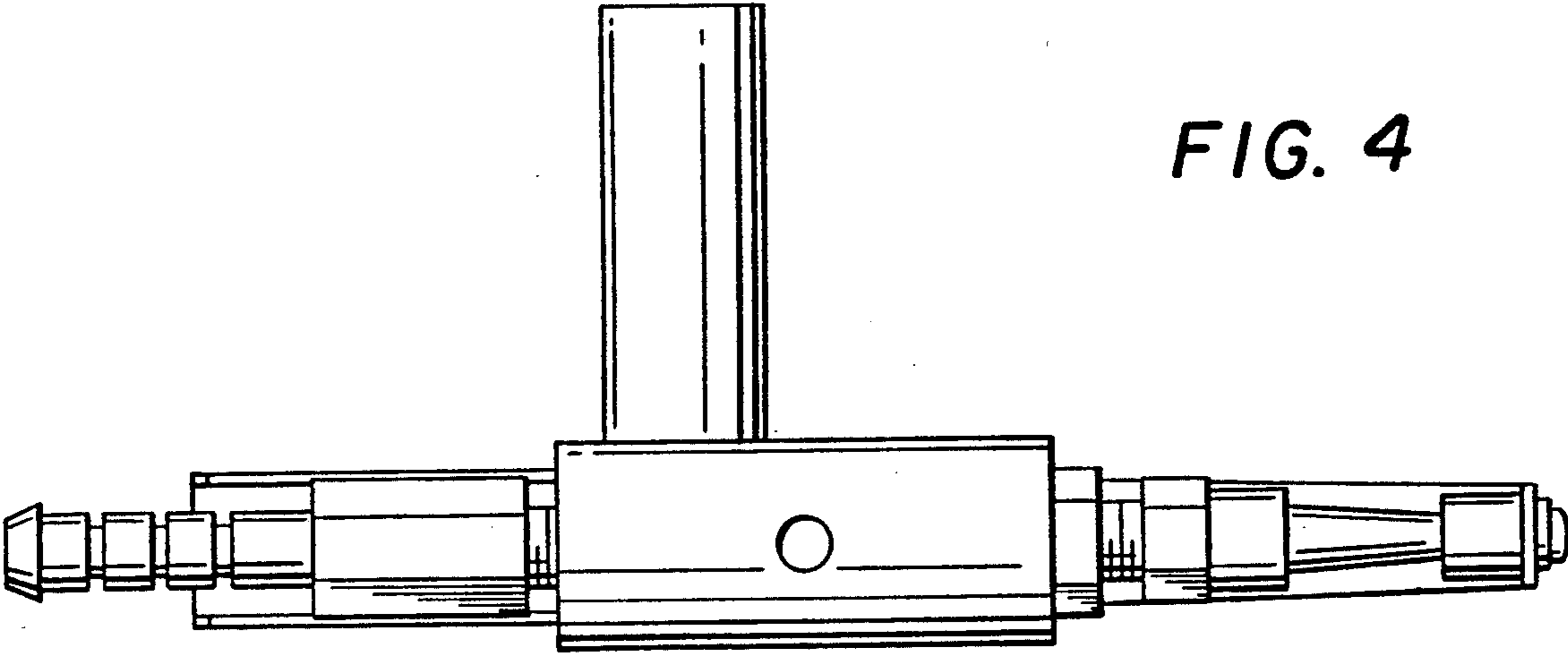


FIG. 4