



US00D323606S

United States Patent [19]

[11] Patent Number: **Des. 323,606**

Chang

[45] Date of Patent: **** Feb. 4, 1992**

- [54] **ELECTRIC DRILL**
- [76] Inventor: **Jung C. Chang, No. 127, Shangping Li Chutung, Hsinchu Shien, Taiwan**
- [**] Term: **14 Years**
- [21] Appl. No.: **349,798**
- [22] Filed: **May 9, 1989**
- [52] U.S. Cl. **D8/68**
- [58] Field of Search **D8/61, 68; 81/54, 57, 81/57.11, 57.14, 429; 173/163, 170; 408/124, 125, 127**

- D. 296,655 7/1988 Yonezawa et al. **D8/68**
- D. 300,503 4/1989 Schultz **D8/68**

Primary Examiner—Bruce W. Dunkins
Assistant Examiner—J. H. Musgrove
Attorney, Agent, or Firm—Brumbaugh, Graves, Donohue & Raymond

[57] **CLAIM**

The ornamental design for an electric drill, as shown.

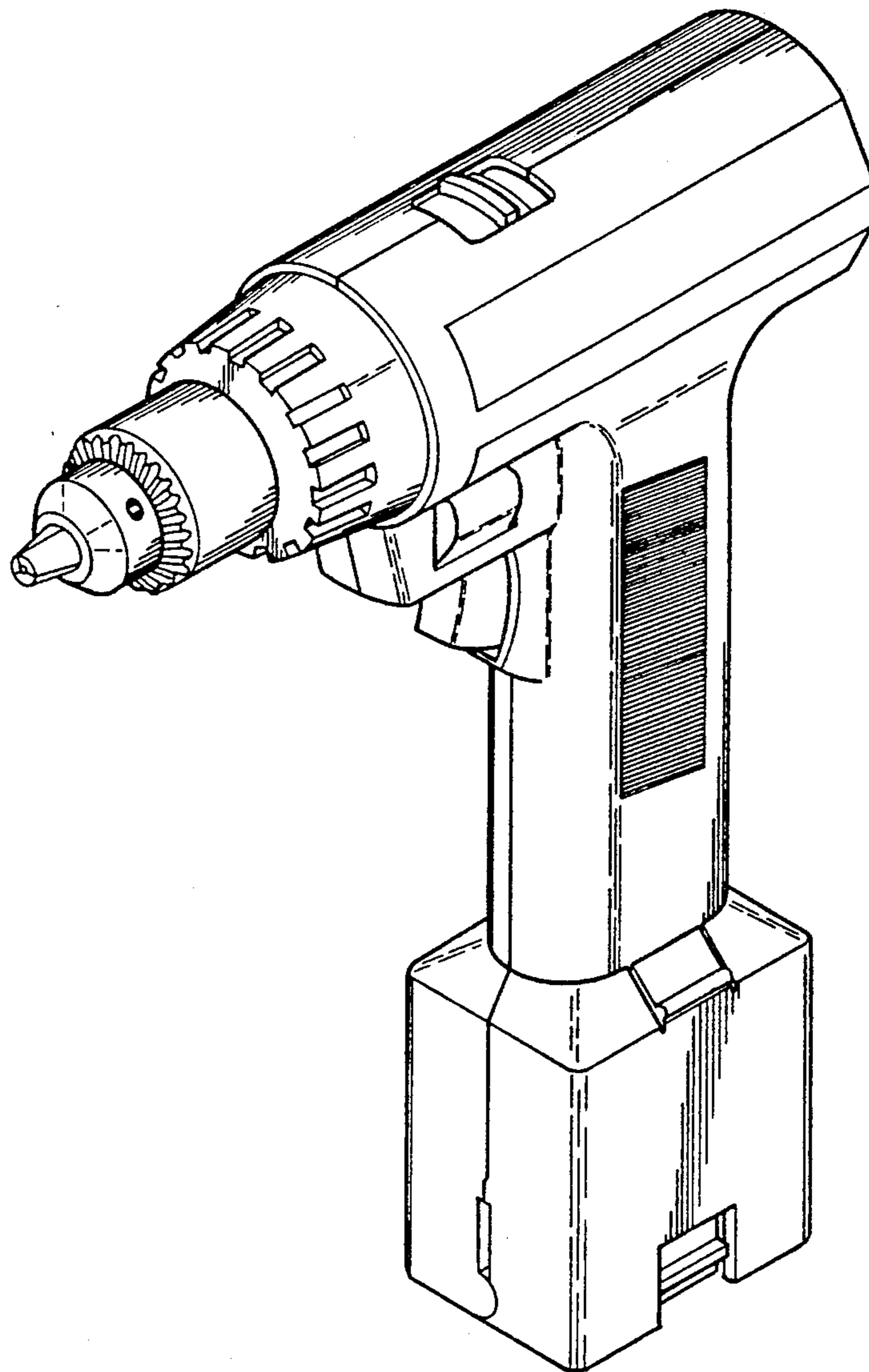
DESCRIPTION

FIG. 1 is a perspective view of an electric drill showing my new design;
 FIG. 2 is a left side elevational view thereof;
 FIG. 3 is a right side elevational view thereof;
 FIG. 4 is a front elevational view thereof;
 FIG. 5 is a rear elevational view thereof;
 FIG. 6 is a top plan view thereof; and
 FIG. 7 is a bottom plan view thereof.

[56] **References Cited**

U.S. PATENT DOCUMENTS

- D. 280,379 9/1985 Somers **D8/61**
- D. 289,004 3/1987 Somers **D8/68**
- D. 295,141 4/1988 Hoshino et al. **D8/68**



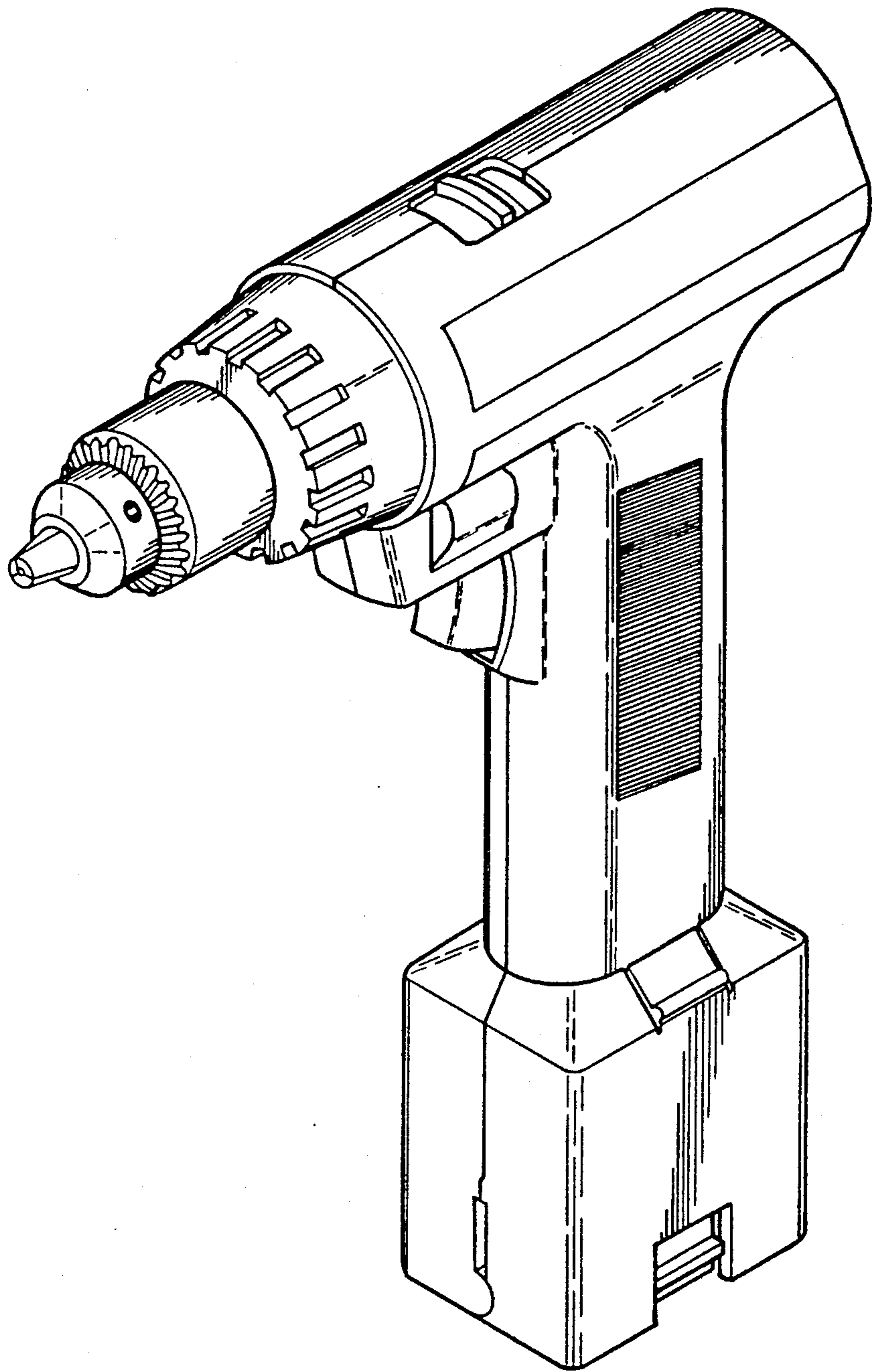


FIG. 1

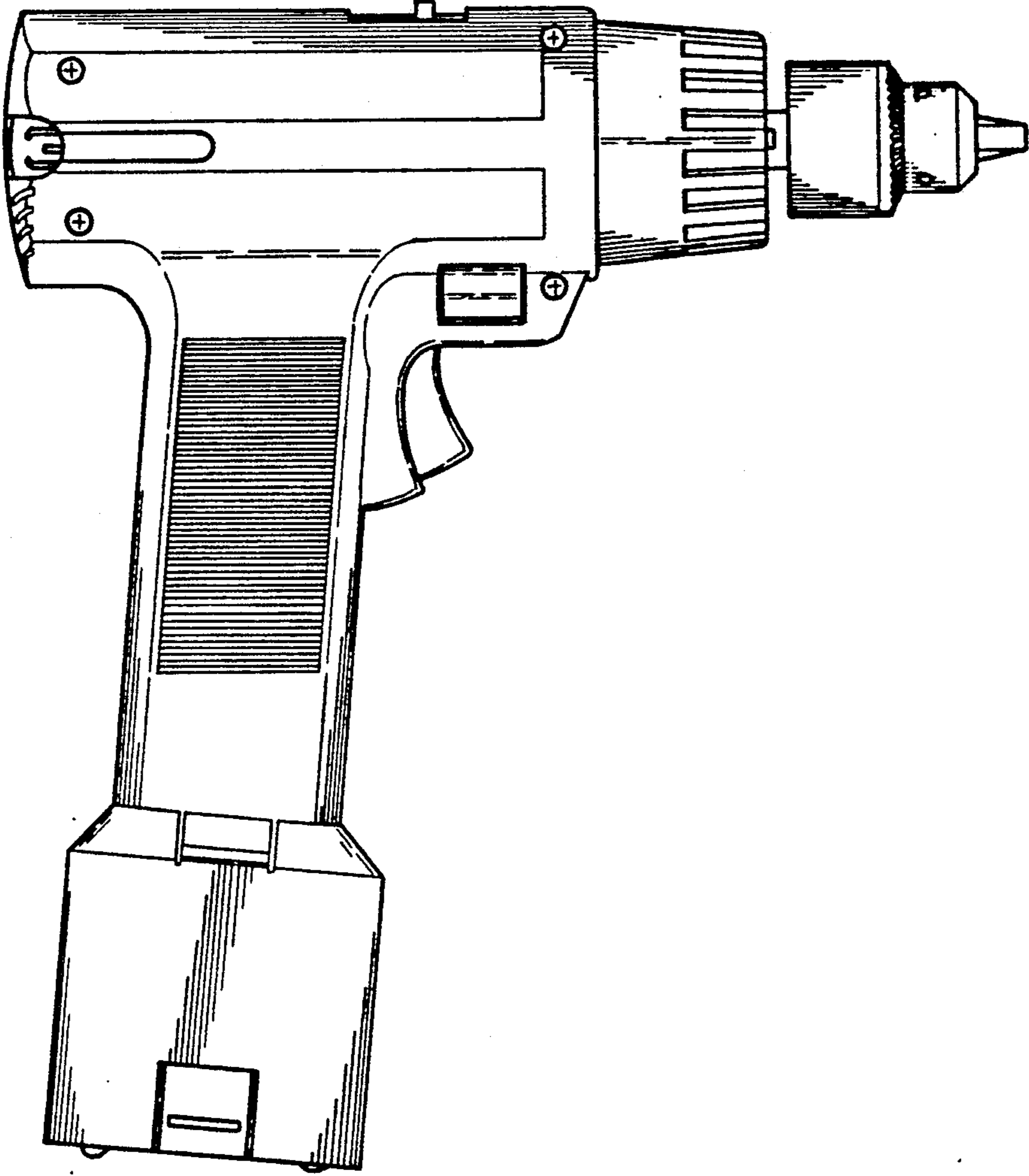


FIG. 2

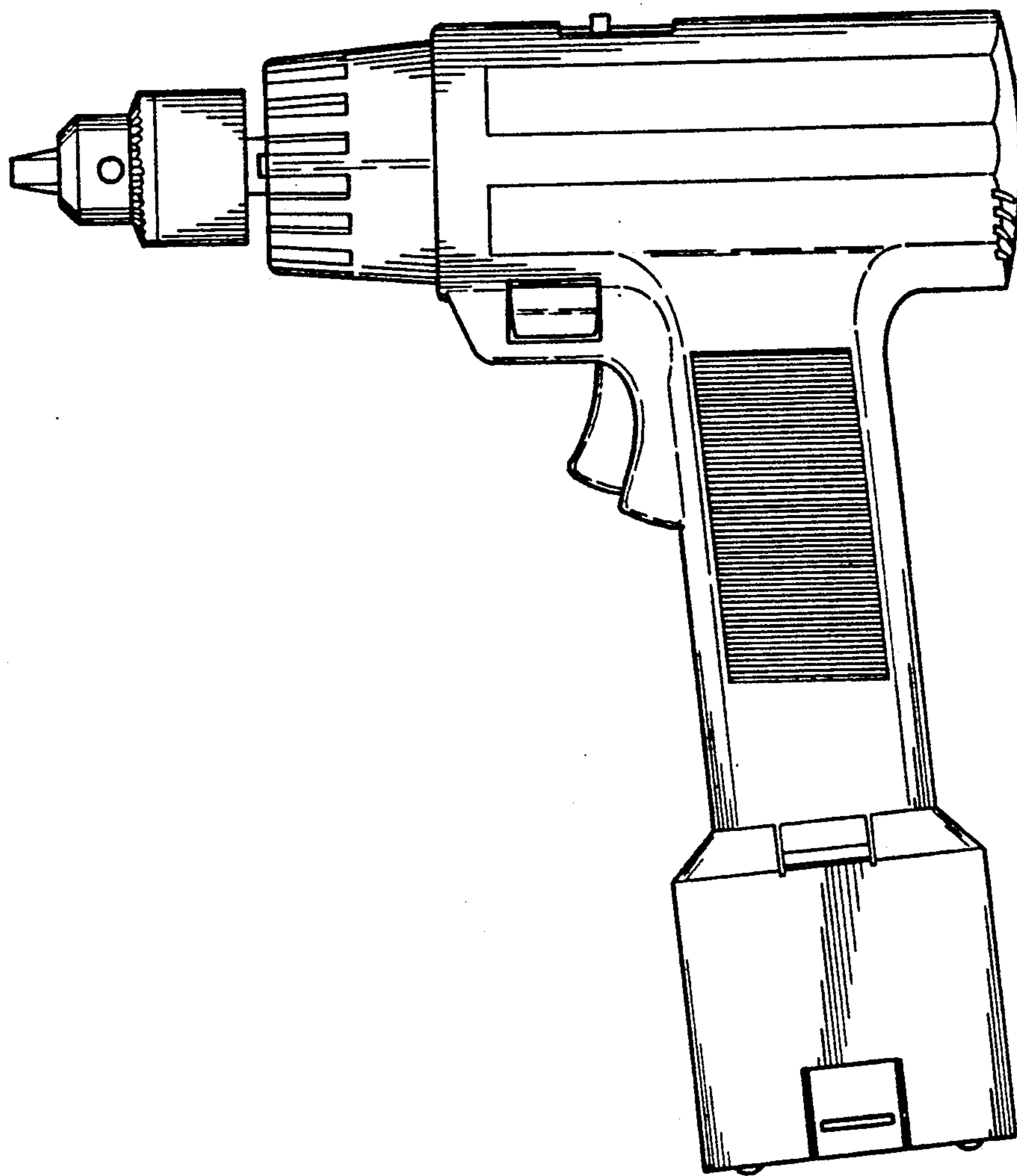


FIG. 3

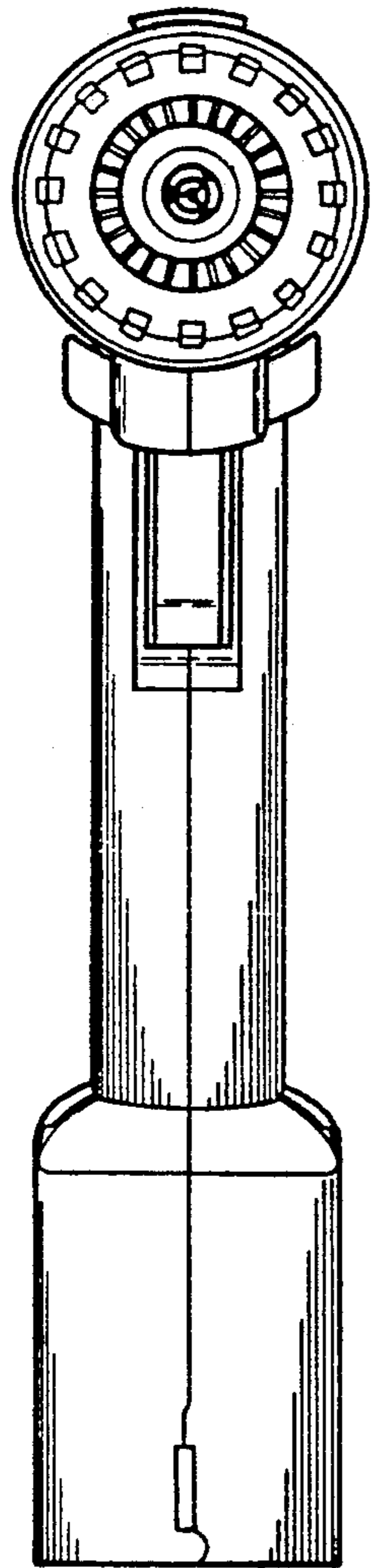


FIG. 4

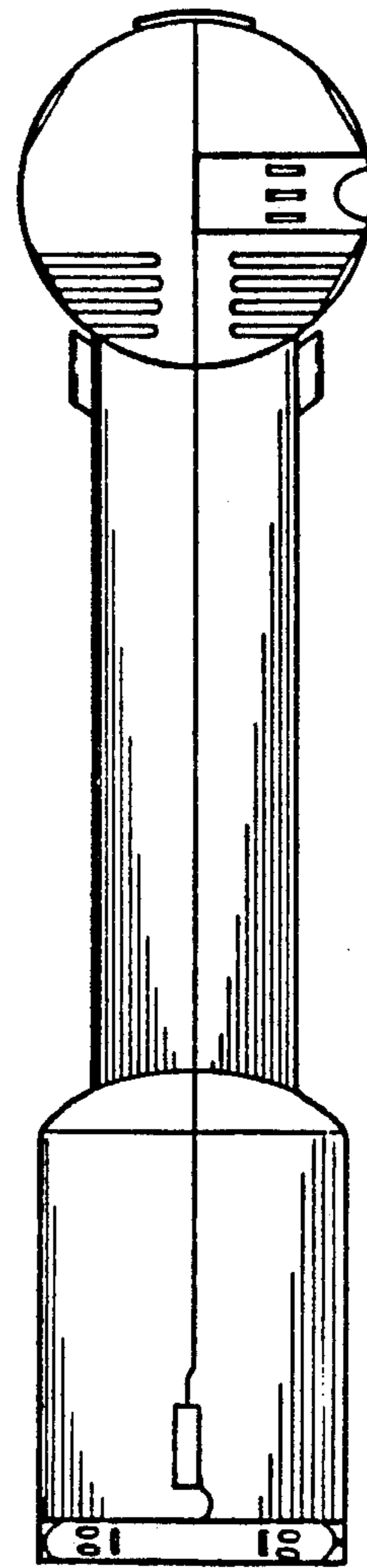


FIG. 5

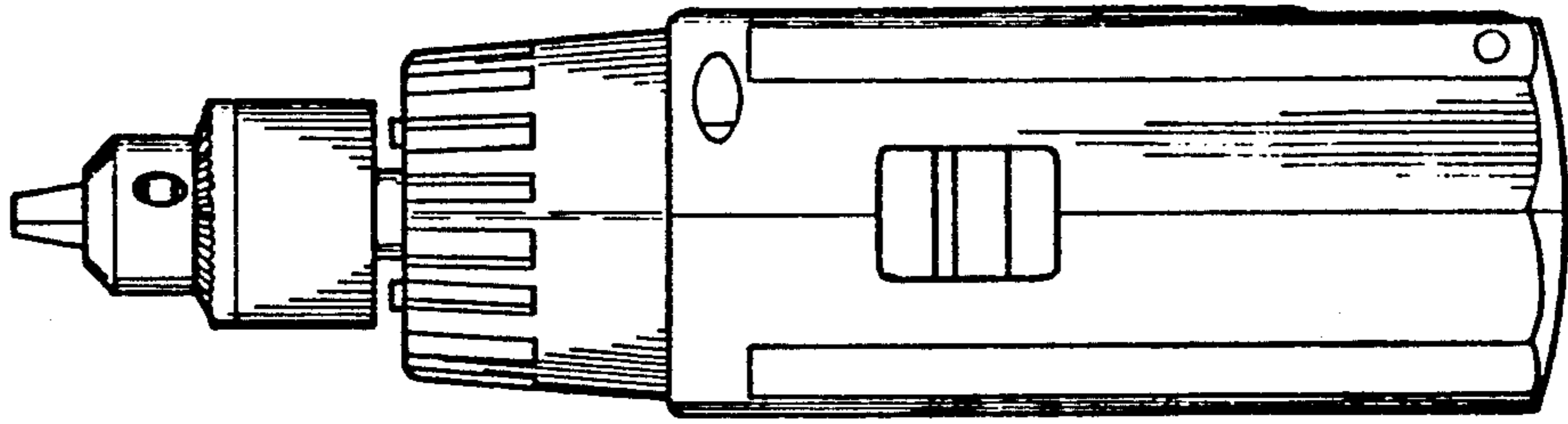


FIG. 6

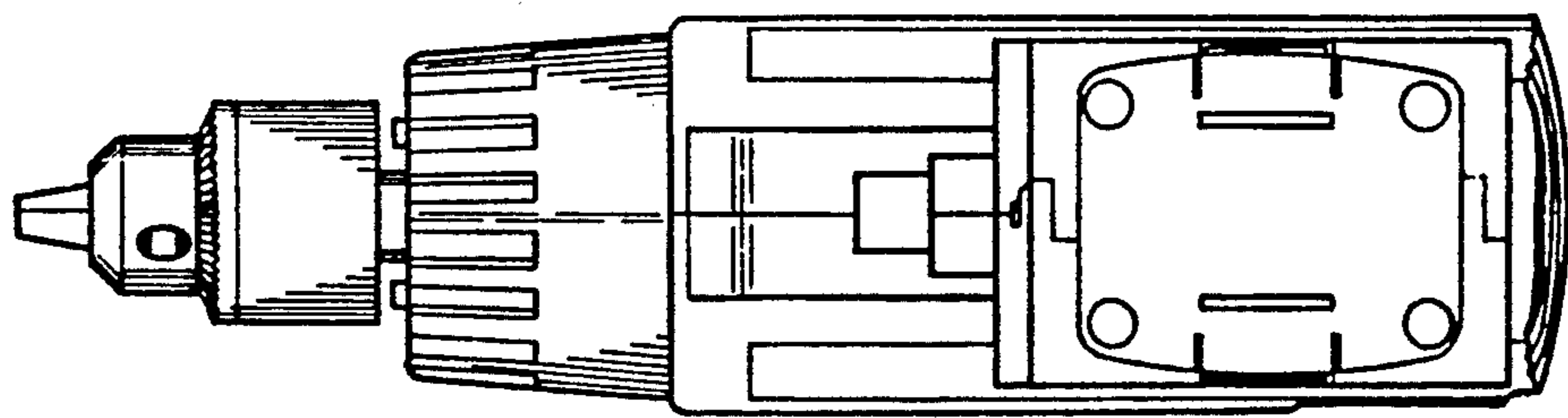


FIG. 7