



US00D323604S

# United States Patent [19]

[11] Patent Number: **Des. 323,604**

Deschryver

[45] Date of Patent: **\*\* Feb. 4, 1992**

[54] **LAWN BORDER**

4,321,769 3/1982 Tisbo .

4,858,379 8/1989 West ..... 47/33

[76] Inventor: **James Deschryver**, 411 Timberline Dr., Fayetteville, N.C. 28311

*Primary Examiner*—Wallace R. Burke

*Assistant Examiner*—H. Baynham

*Attorney, Agent, or Firm*—Terry M. Gernstein

[\*\*] Term: **14 Years**

[21] Appl. No.: **518,856**

[57] **CLAIM**

The ornamental design for a lawn border, as shown and described.

[22] Filed: **May 4, 1990**

[52] U.S. Cl. .... **D8/1**

[58] Field of Search ..... **D8/1; 47/33, 25; 52/102, 103; D10/113**

**DESCRIPTION**

FIG. 1 is a perspective view of a lawn border showing my new design;

FIG. 2 is a front elevational view thereof;

FIG. 3 is a rear elevational view thereof;

FIG. 4 is a left side elevational view thereof;

FIG. 5 is a right side elevational view thereof;

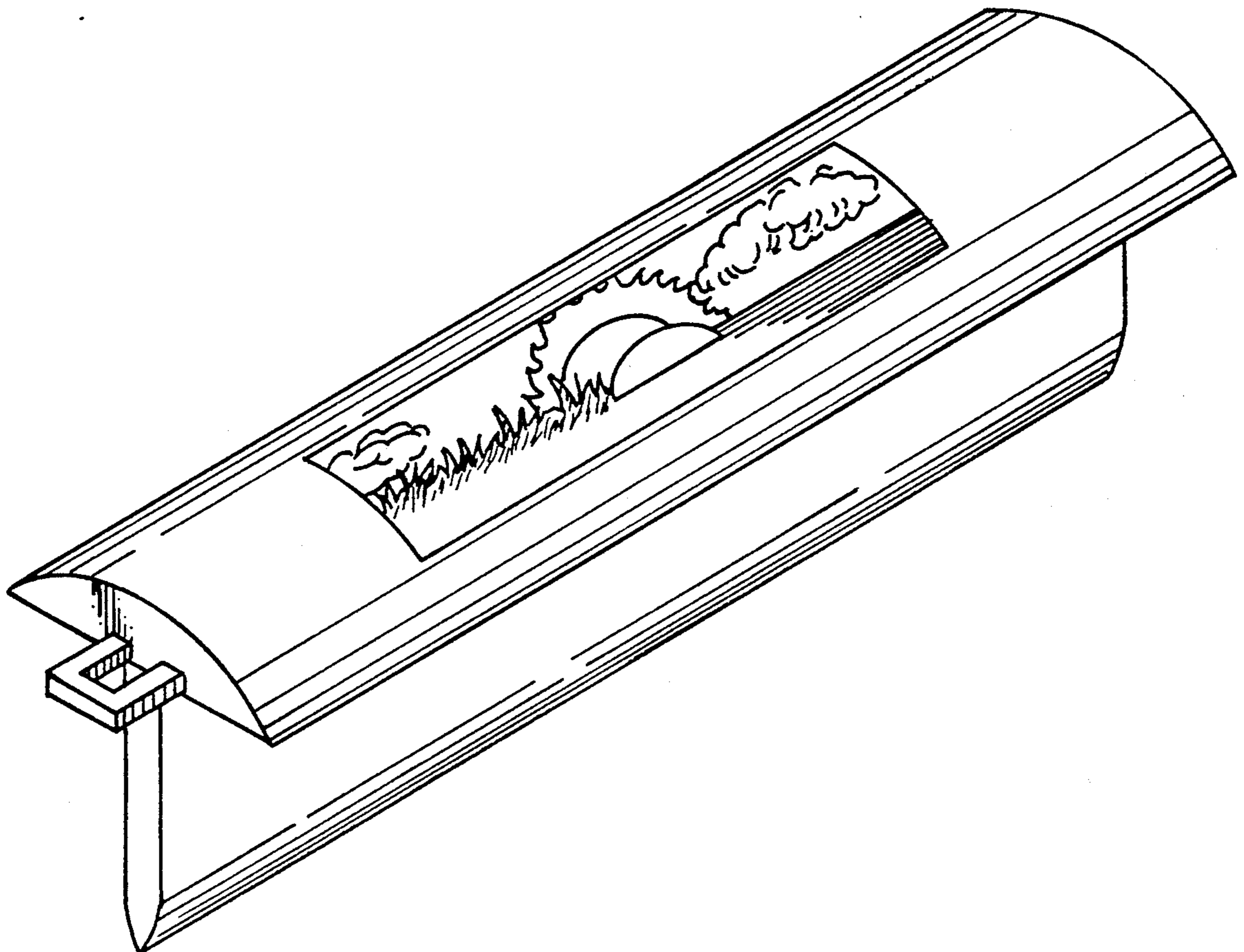
FIG. 6 is a top plan view thereof; and

FIG. 7 is a bottom view thereof.

[56] **References Cited**

**U.S. PATENT DOCUMENTS**

- D. 112,473 12/1938 Young ..... D10/113 X
- 2,744,357 5/1956 Foote ..... 47/33
- 4,167,079 9/1979 Reiter .
- 4,222,197 9/1980 Johnson .



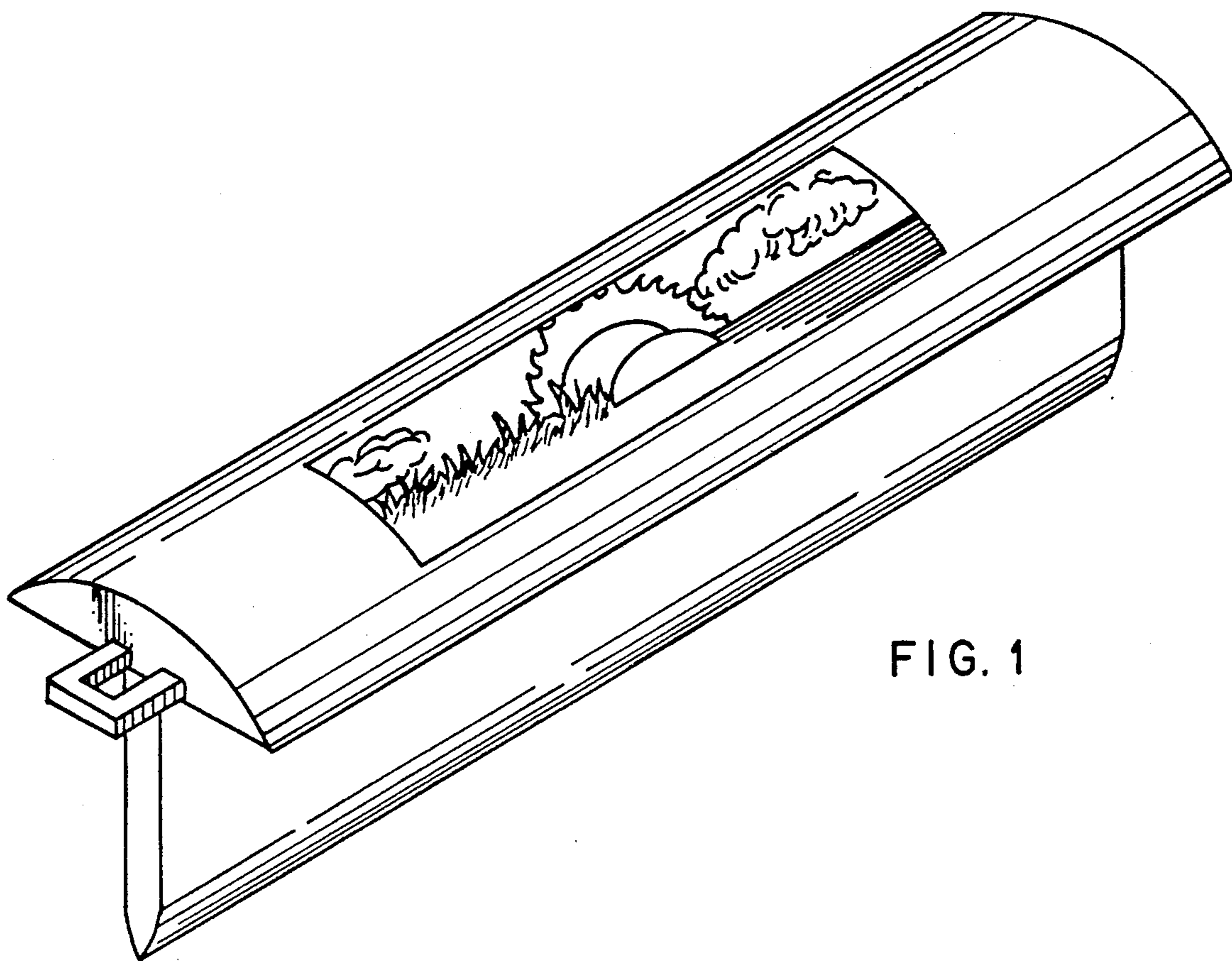


FIG. 1

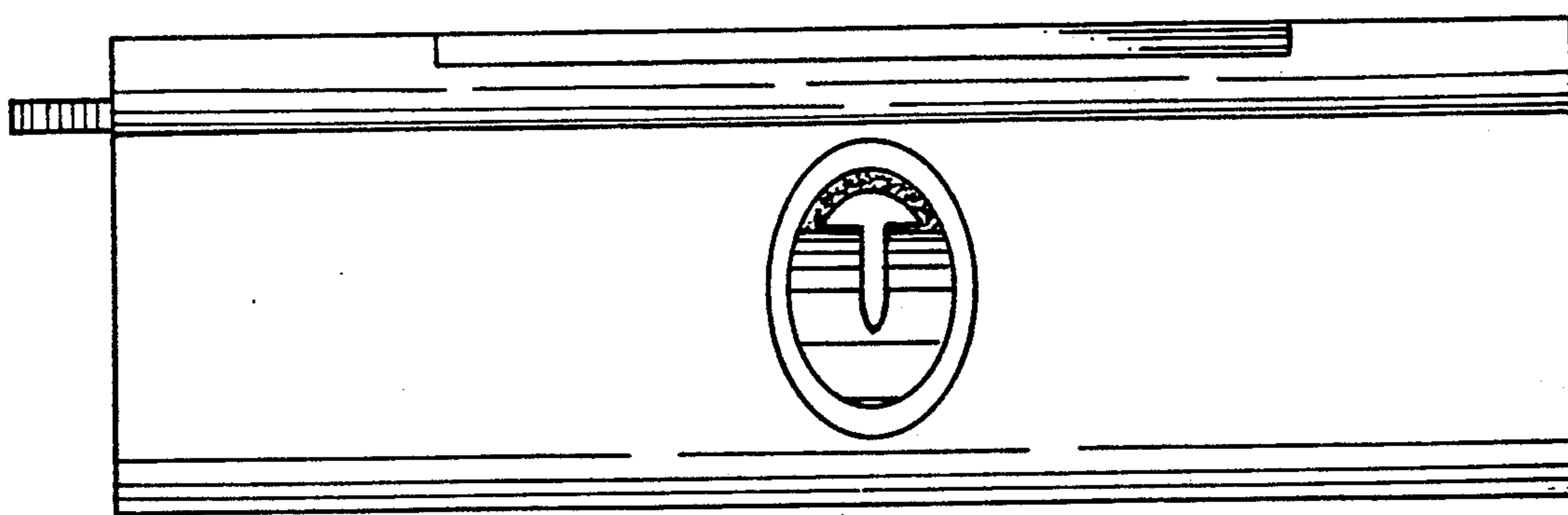


FIG. 2

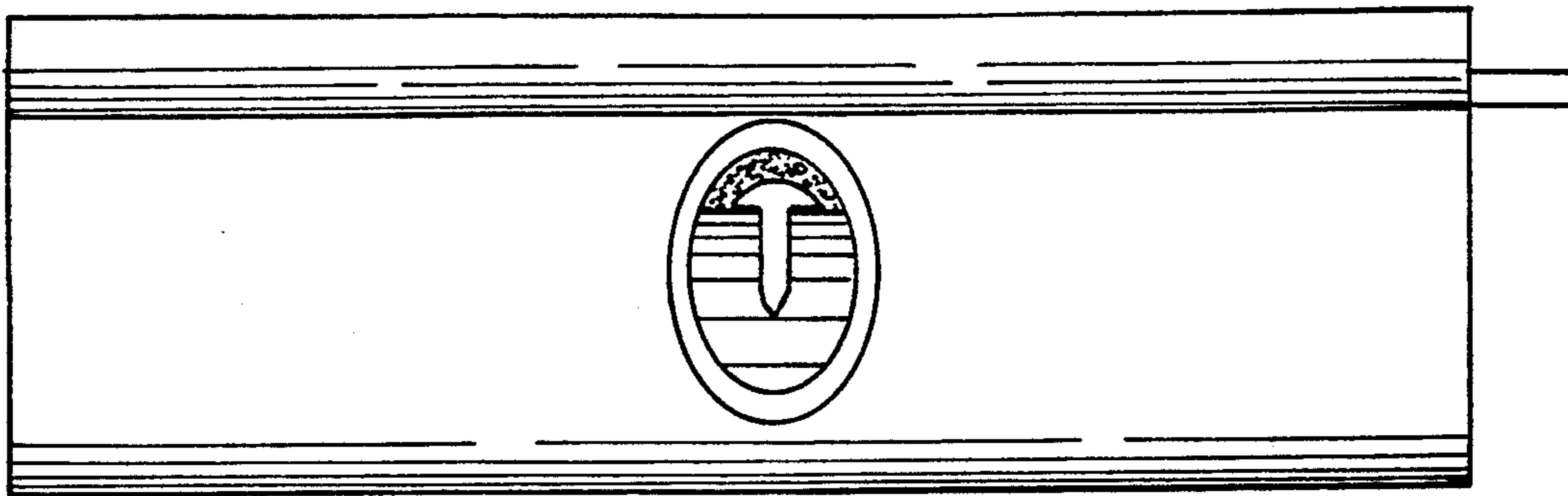


FIG. 3

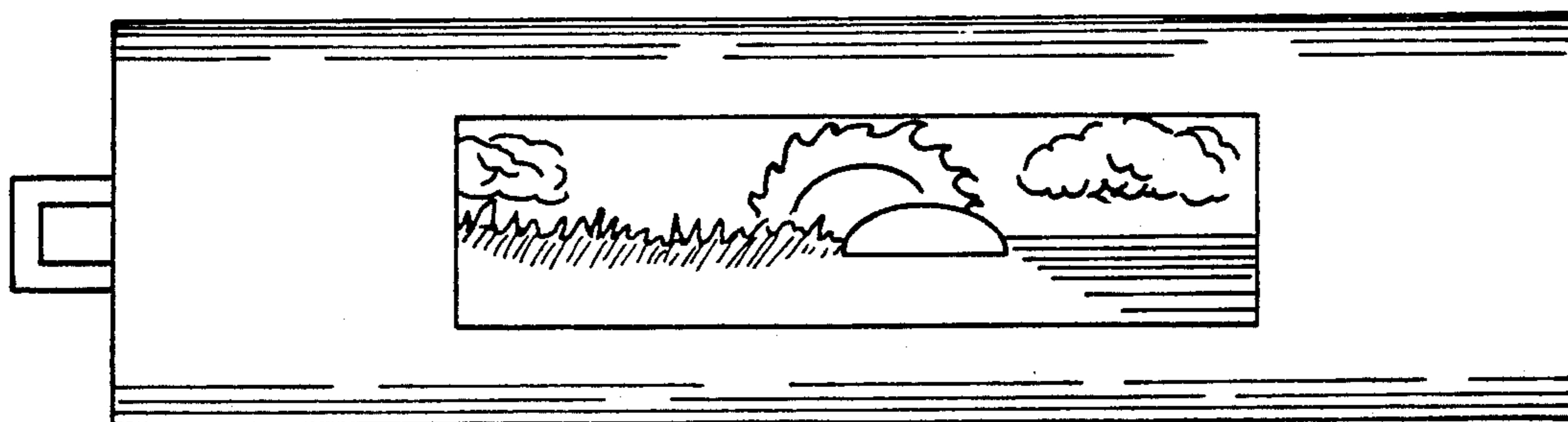


FIG. 6

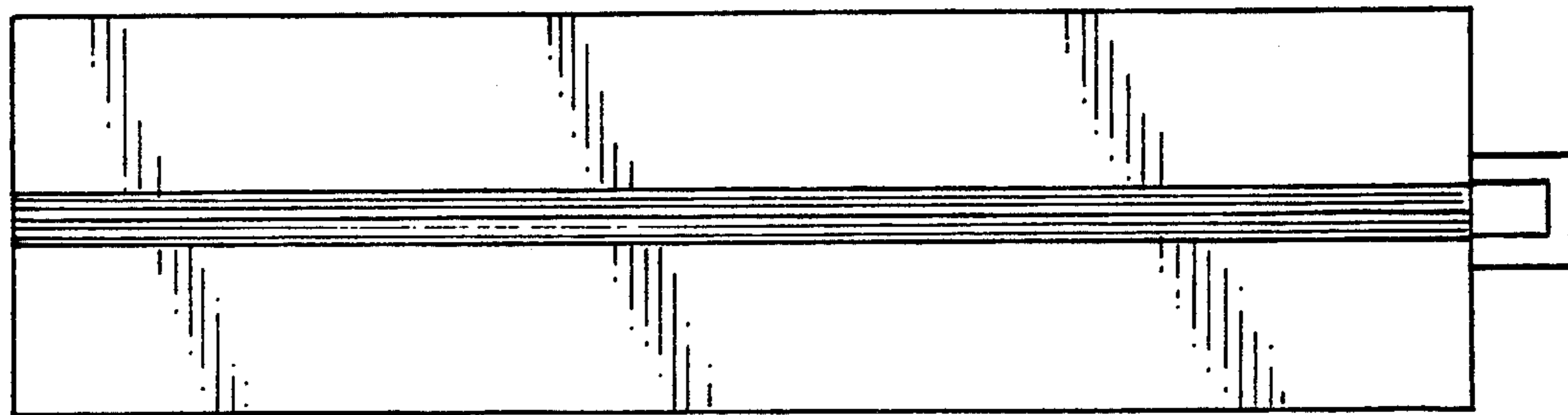


FIG. 7

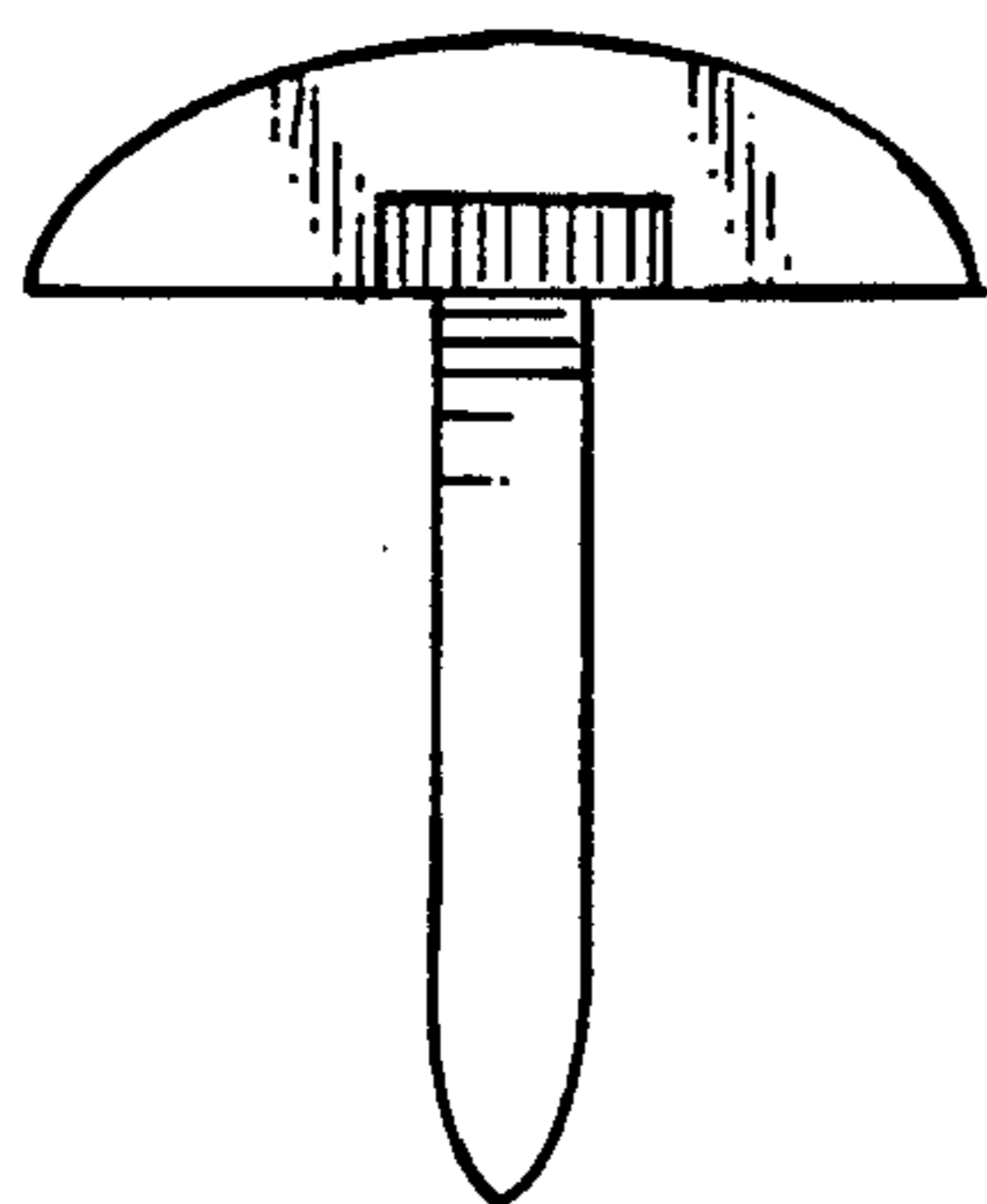


FIG. 4

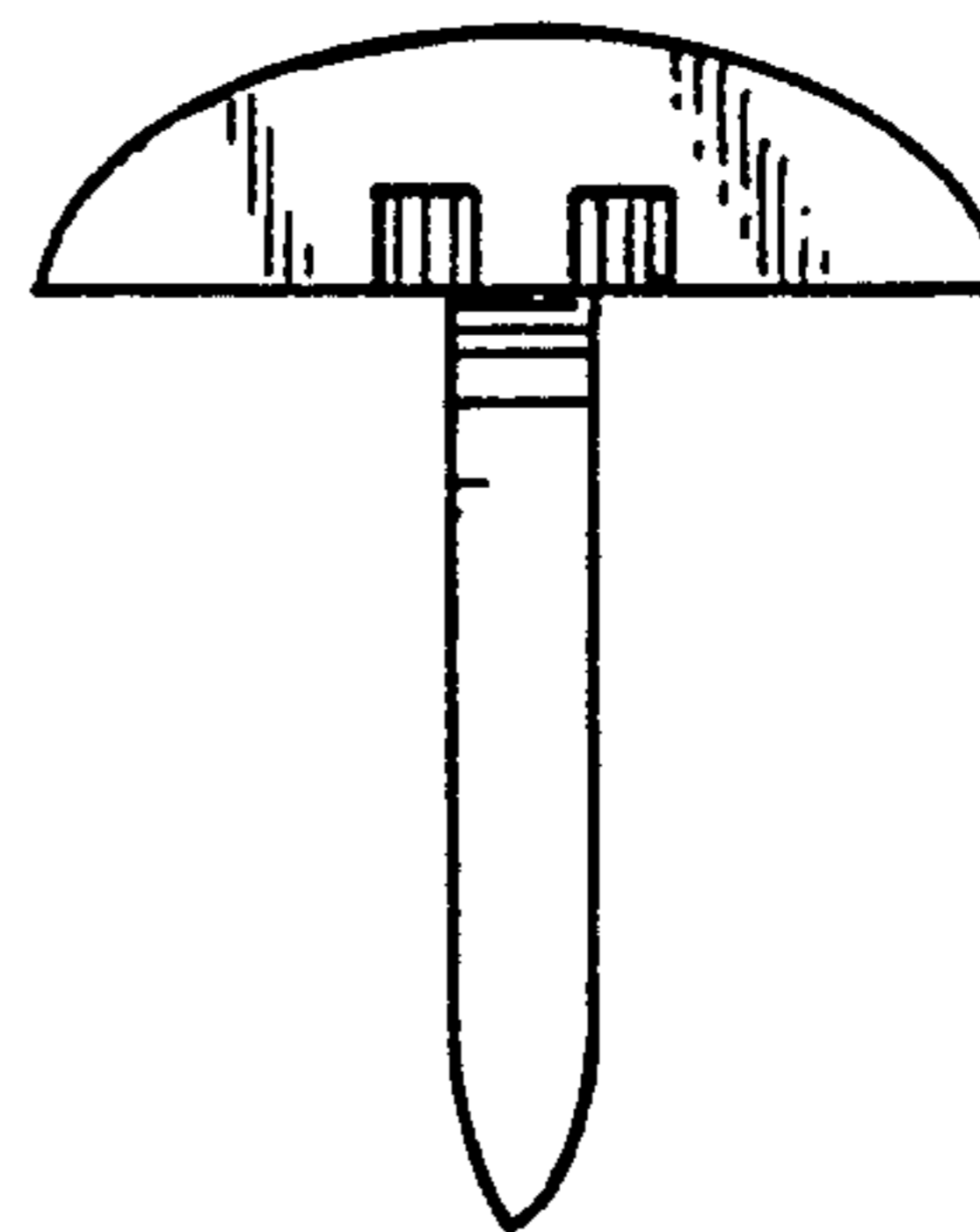


FIG. 5