



US00D323591S

United States Patent [19]

[11] Patent Number: **Des. 323,591**

Stravitz

[45] Date of Patent: **** Feb. 4, 1992**

[54] MULTI-TIER RACK

[76] Inventor: **David M. Stravitz** 16 Park Ave., Ste. 14A, New York, N.Y. 10016

[**] Term: **14 Years**

[21] Appl. No.: **593,128**

[22] Filed: **Oct. 5, 1990**

[52] U.S. Cl. **D6/437; D3/35; D6/405; D6/407; D6/429; D6/449; D19/90**

[58] Field of Search **D6/407, 449, 422-428, D6/419, 417; 206/387, 45, 23, 425; D3/35; 211/40, 41, 42, 43**

[56] **References Cited**

U.S. PATENT DOCUMENTS

D. 191,790	11/1961	Schaefer	D6/449
D. 203,513	1/1966	Warren .	
D. 237,231	10/1975	Wells	D6/449 X
D. 240,421	7/1976	Rose	D19/90 X
D. 260,197	8/1981	Long et al.	D3/35 X
D. 283,472	4/1986	Wattles	D6/473 X
D. 283,568	4/1986	Valley	D6/429
D. 290,201	6/1987	Wilder	D6/407 X
D. 309,998	8/1990	Sumrell et al.	D6/407 X
757,712	4/1904	Arnold .	
3,179,367	4/1965	Rapata .	
3,600,735	1/1970	Jerabek .	
4,162,013	7/1979	Tucker .	

FOREIGN PATENT DOCUMENTS

1274556 9/1961 France .
261537 11/1926 United Kingdom .
627398 8/1949 United Kingdom .

OTHER PUBLICATIONS

Home Furnishings Daily, Sep. 4, 1958, p. 34, "Record Holder".

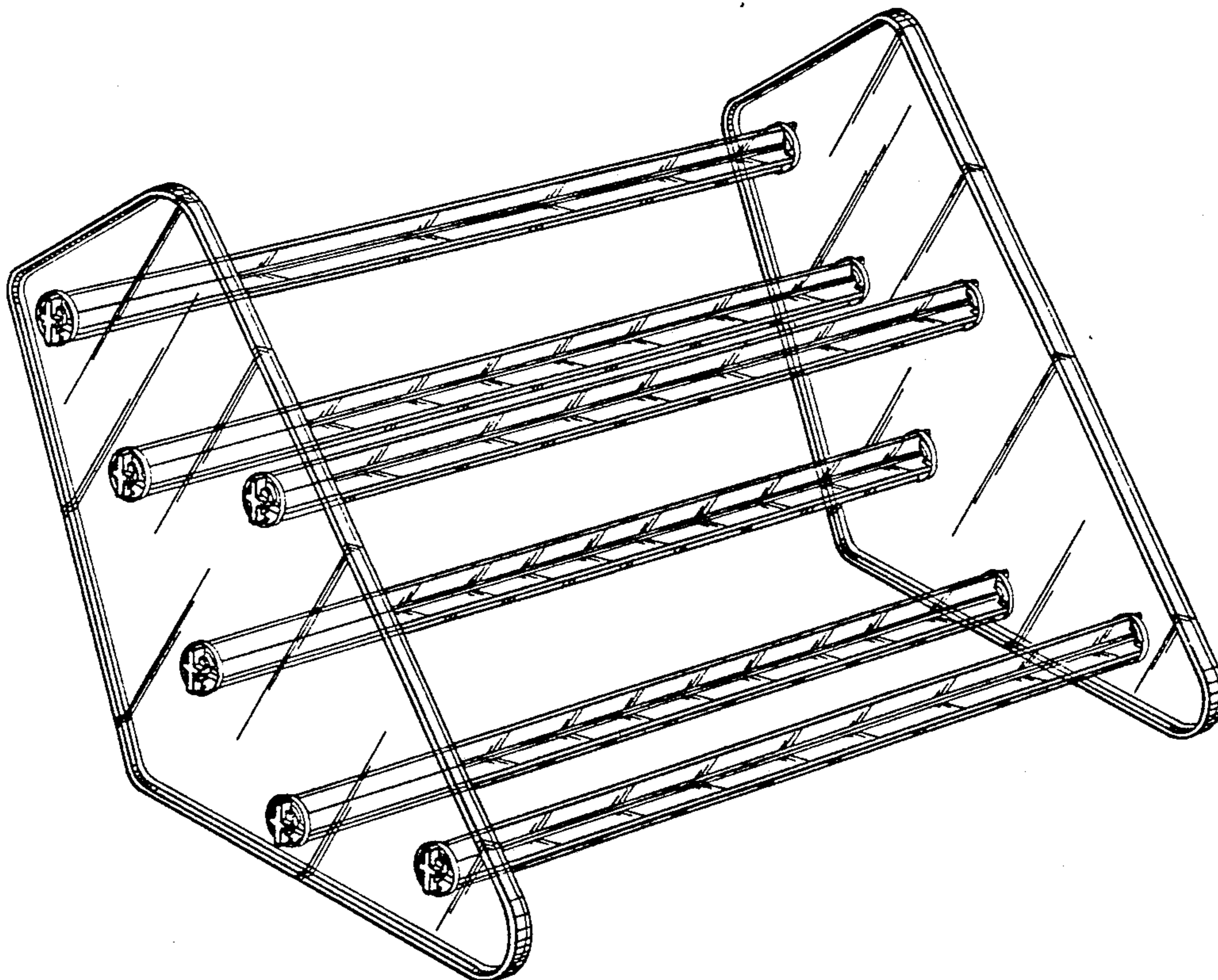
Primary Examiner—Bruce W. Dunkins
Assistant Examiner—Monica A. Hannan
Attorney, Agent, or Firm—Frishauf, Holtz, Goodman & Woodward

[57] CLAIM

The ornamental design for a multi-tier rack, as shown and described.

DESCRIPTION

FIG. 1 is a perspective view of a multi-tier rack, showing my new design;
FIG. 2 is a front elevational view thereof;
FIG. 3 is a top plan view thereof;
FIG. 4 is a rear elevational view thereof;
FIG. 5 is a bottom plan view thereof;
FIG. 6 is a left side elevational view thereof, the right side elevational view being a mirror image;
FIG. 7 is a cross-sectional view taken along line 7—7 of FIG. 2; and
FIG. 8 is a cross-sectional view taken along line 8—8 of FIG. 6.



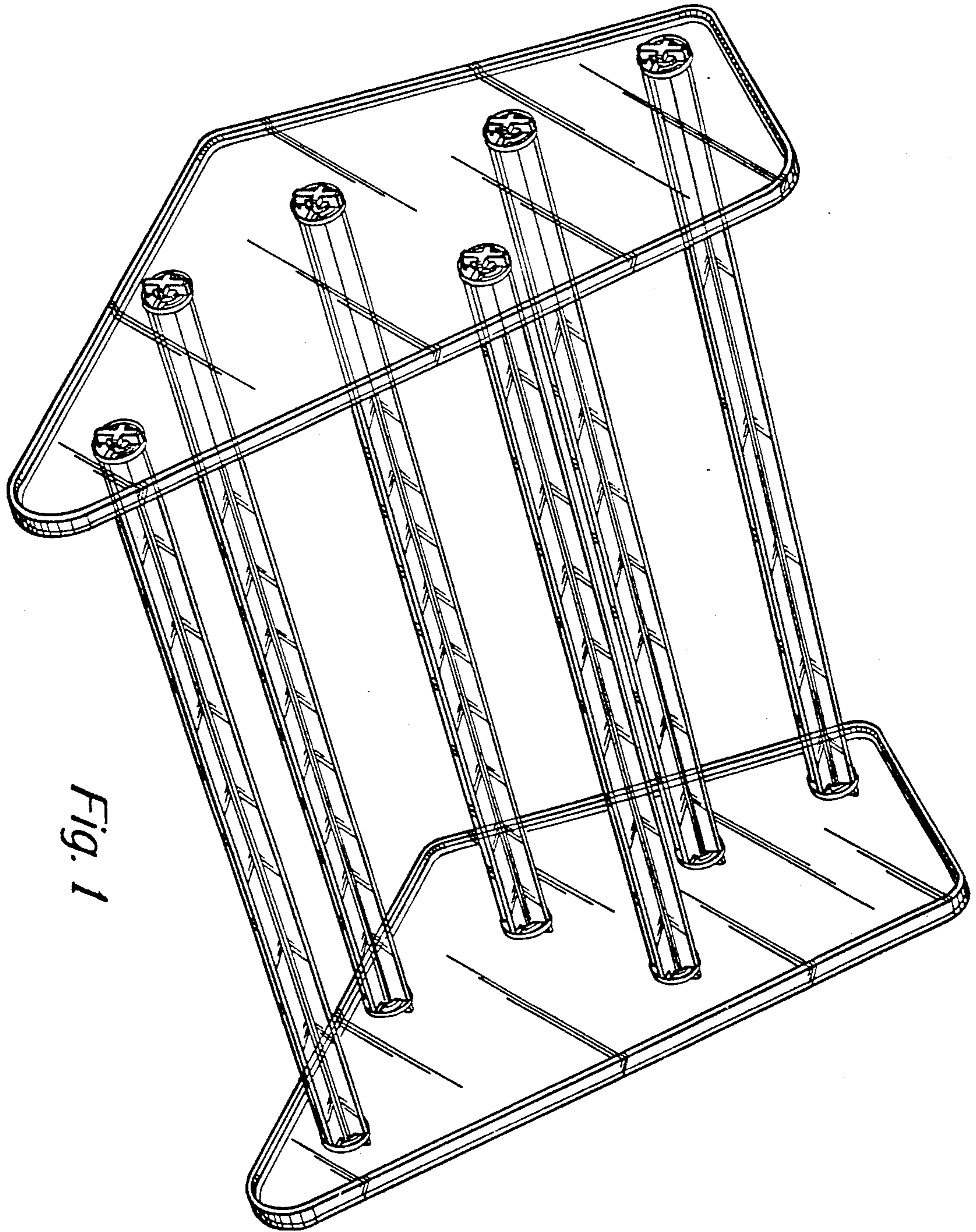


Fig. 1

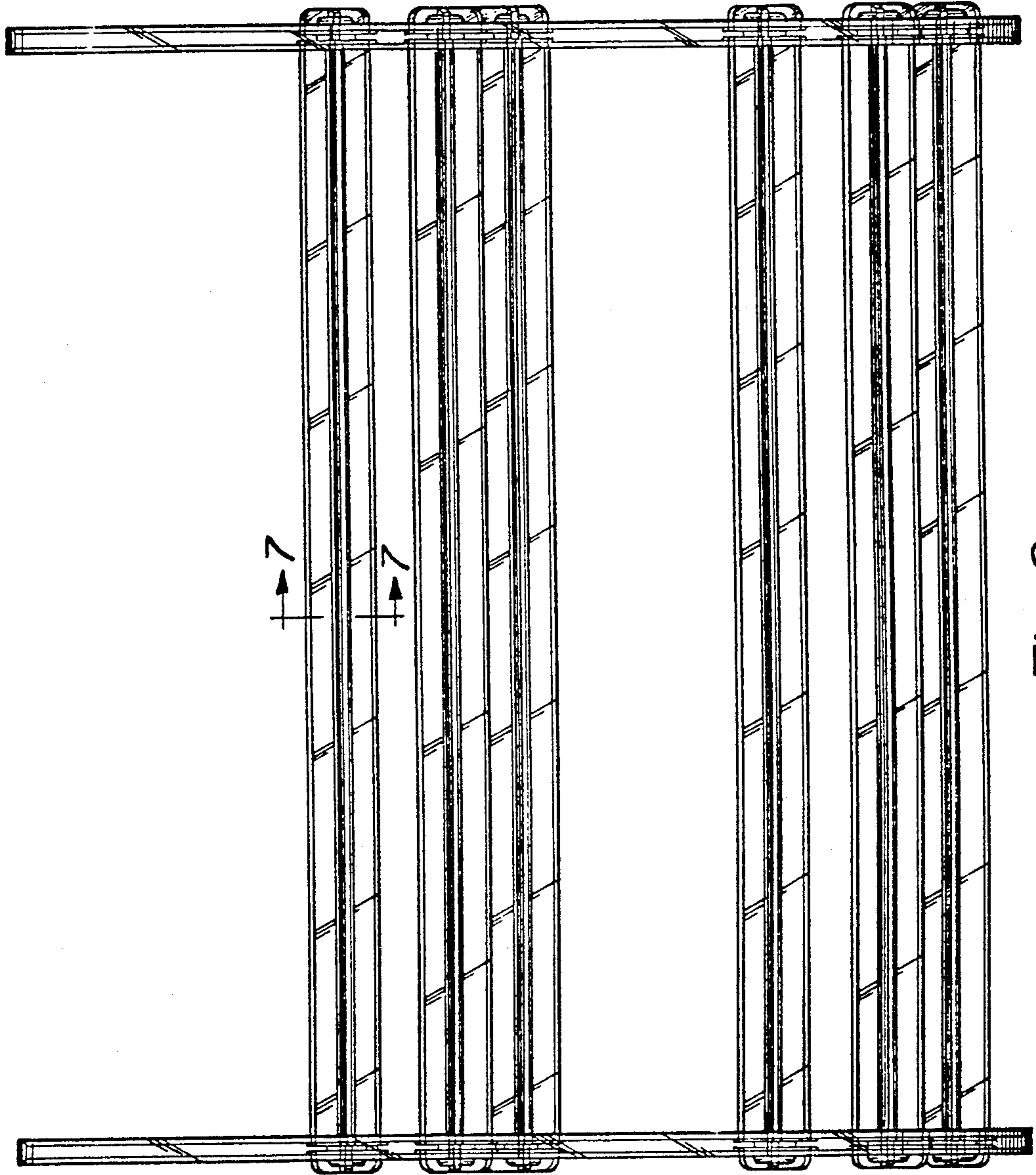


Fig. 2

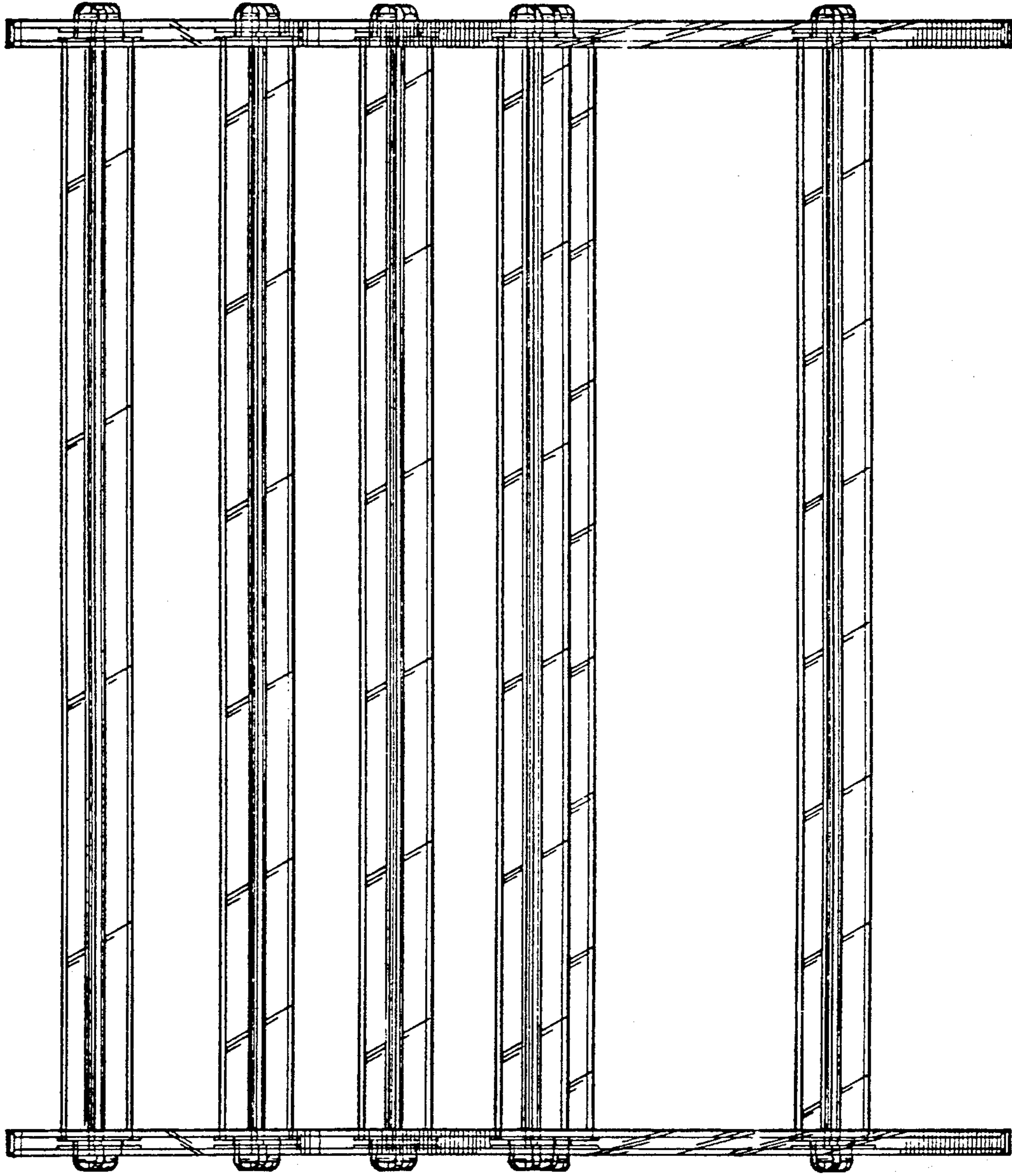


Fig. 3

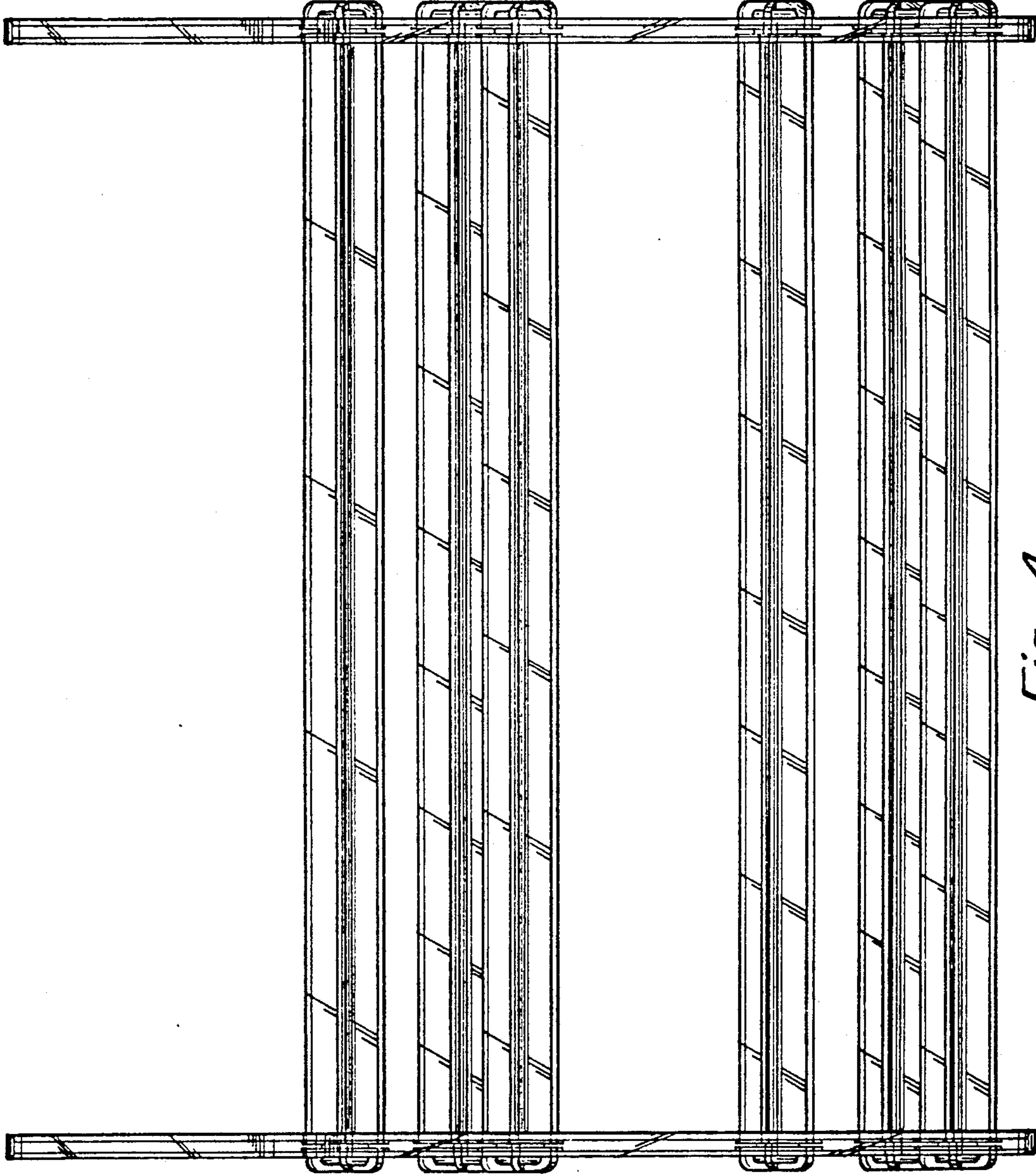


Fig. 4

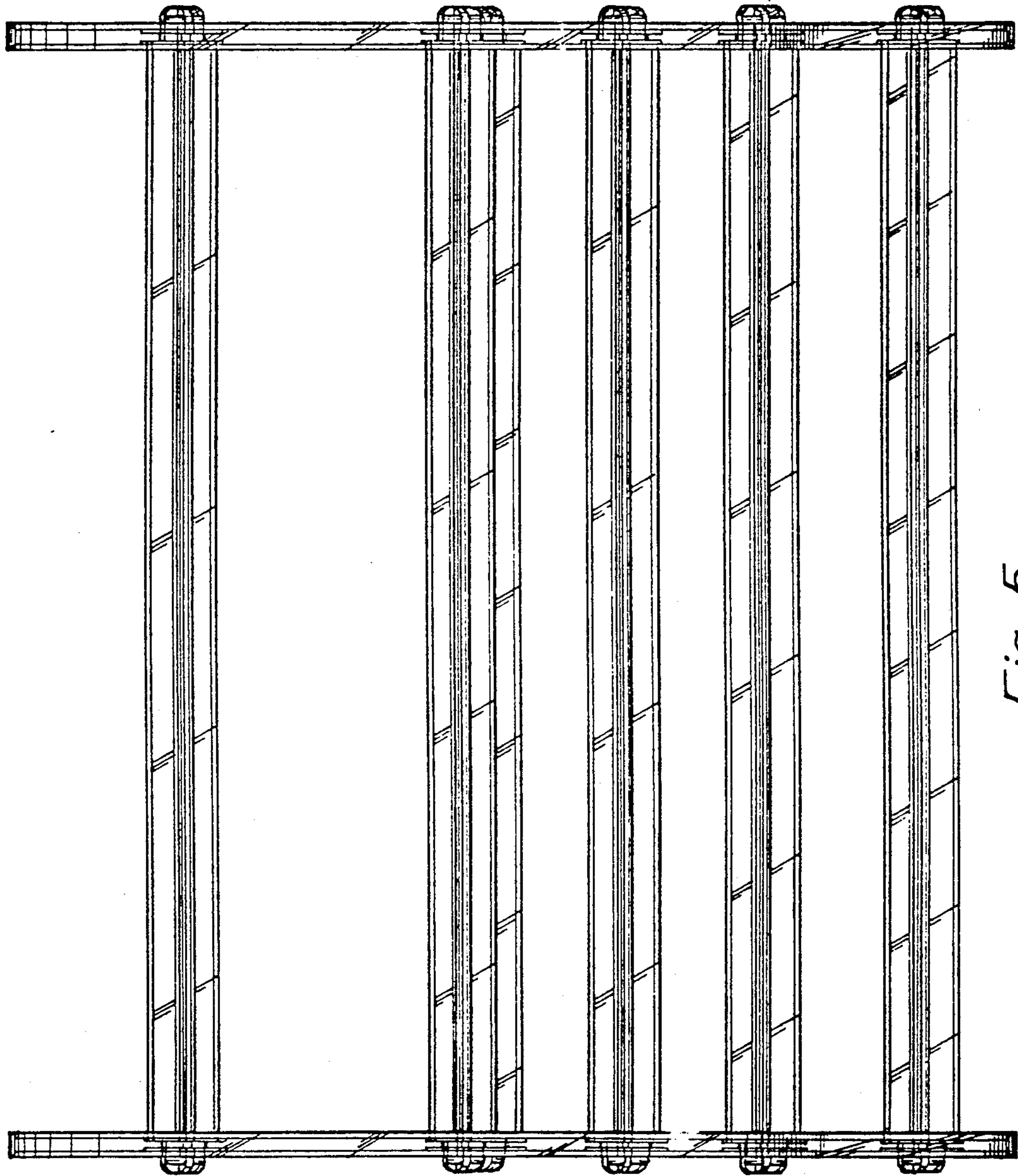


Fig. 5

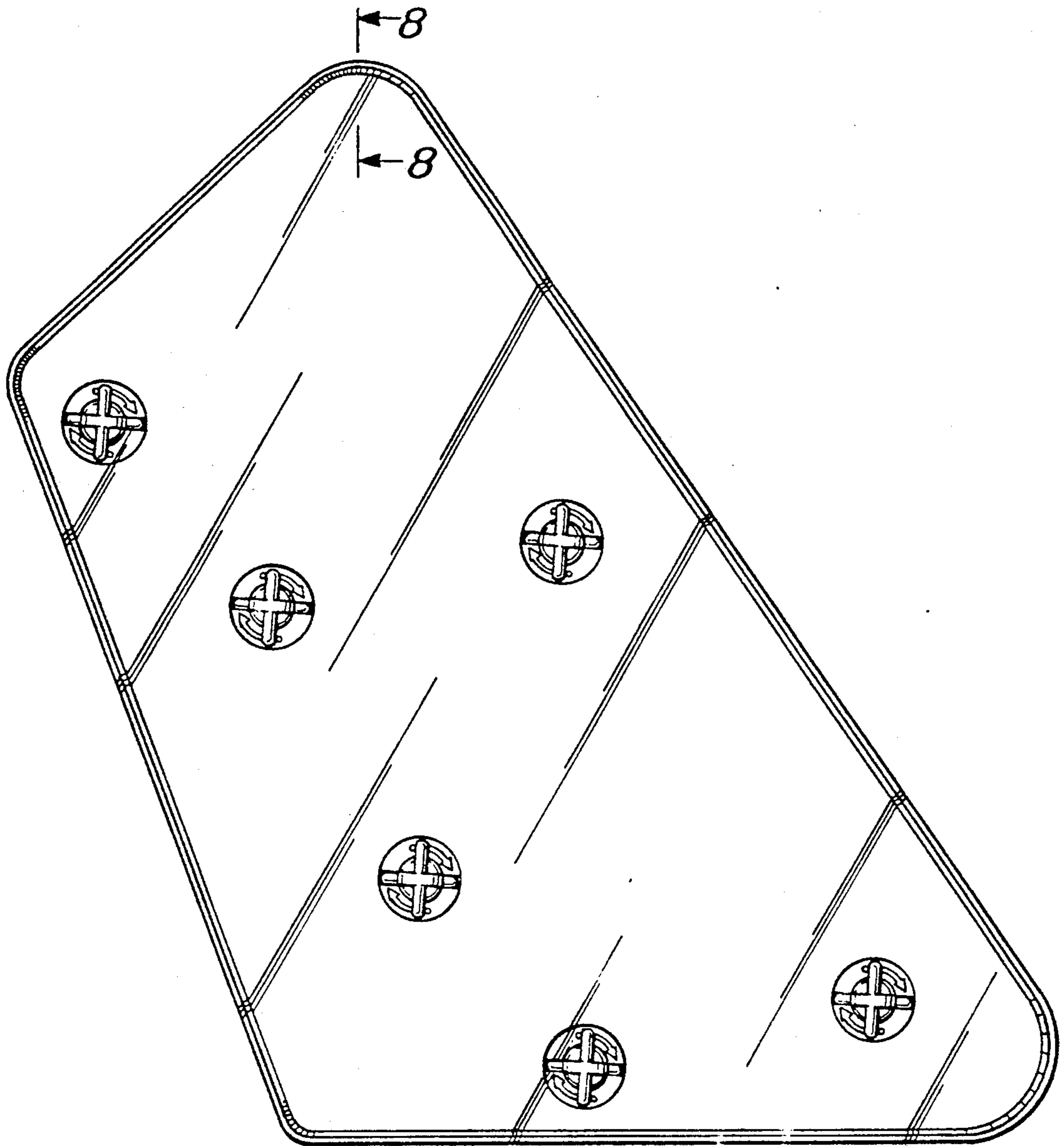


Fig. 6

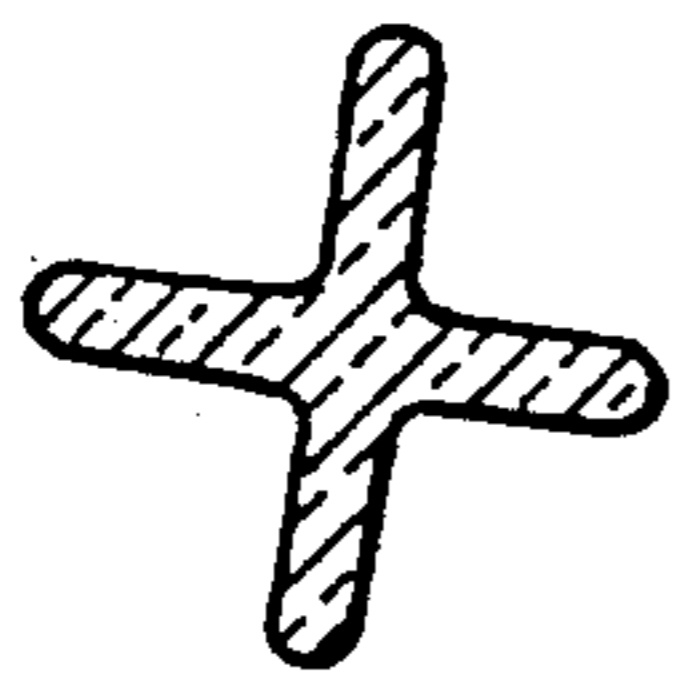


Fig. 7



Fig. 8