



US00D323584S

United States Patent [19] McIntyre

[11] Patent Number: **Des. 323,584**

[45] Date of Patent: **** Feb. 4, 1992**

[54] **FLEXIBLE DOCUMENT CASE**

[76] Inventor: **Jonothon M. W. McIntyre, 6732 Hinds Ave., North Hollywood, Calif. 91606**

[**] Term: **14 Years**

[21] Appl. No.: **424,575**

[22] Filed: **Oct. 20, 1989**

[52] U.S. Cl. **D3/78; D3/76; D19/86**

[58] Field of Search **D3/78, 48, 77, 74, 70, D3/54, 52, 34, 56, 106, 76, 79, 30.1; 190/18 A, 115, 116, 108, 109, 110, 106, 114, 901, 103, 125, 100, 119, 127, 900, 902; 150/152, 102; 229/1.5 R; 206/811, 315.11, 425; 383/86, 6, 25, 84, 66; 224/901, 222, 218, 202, 205, 236; D7/620; D19/86, 75**

[56] **References Cited**

U.S. PATENT DOCUMENTS

| | | | | |
|------------|--------|---------|-------|---------|
| D. 98,285 | 1/1936 | White | | D3/54 |
| D. 259,748 | 7/1981 | Outcalt | | D3/79 X |
| D. 260,578 | 9/1981 | Cox | | D3/79 X |

| | | | | |
|------------|---------|------------------|-------|-----------|
| D. 288,625 | 3/1987 | Hasuike | | D3/76 |
| 1,359,461 | 11/1920 | Luce | | 383/86 X |
| 1,437,565 | 12/1922 | Stein et al. | | D3/79 X |
| 1,752,310 | 4/1930 | Stein | | 190/115 |
| 2,047,914 | 7/1936 | Lifton | | 190/902 X |
| 2,261,806 | 11/1941 | Hills | | D3/76 X |
| 3,454,068 | 7/1969 | Goldstein et al. | | 190/109 |
| 4,330,050 | 5/1982 | Sangster et al. | | D3/73 X |
| 4,730,727 | 3/1980 | Petroff | | 206/425 X |

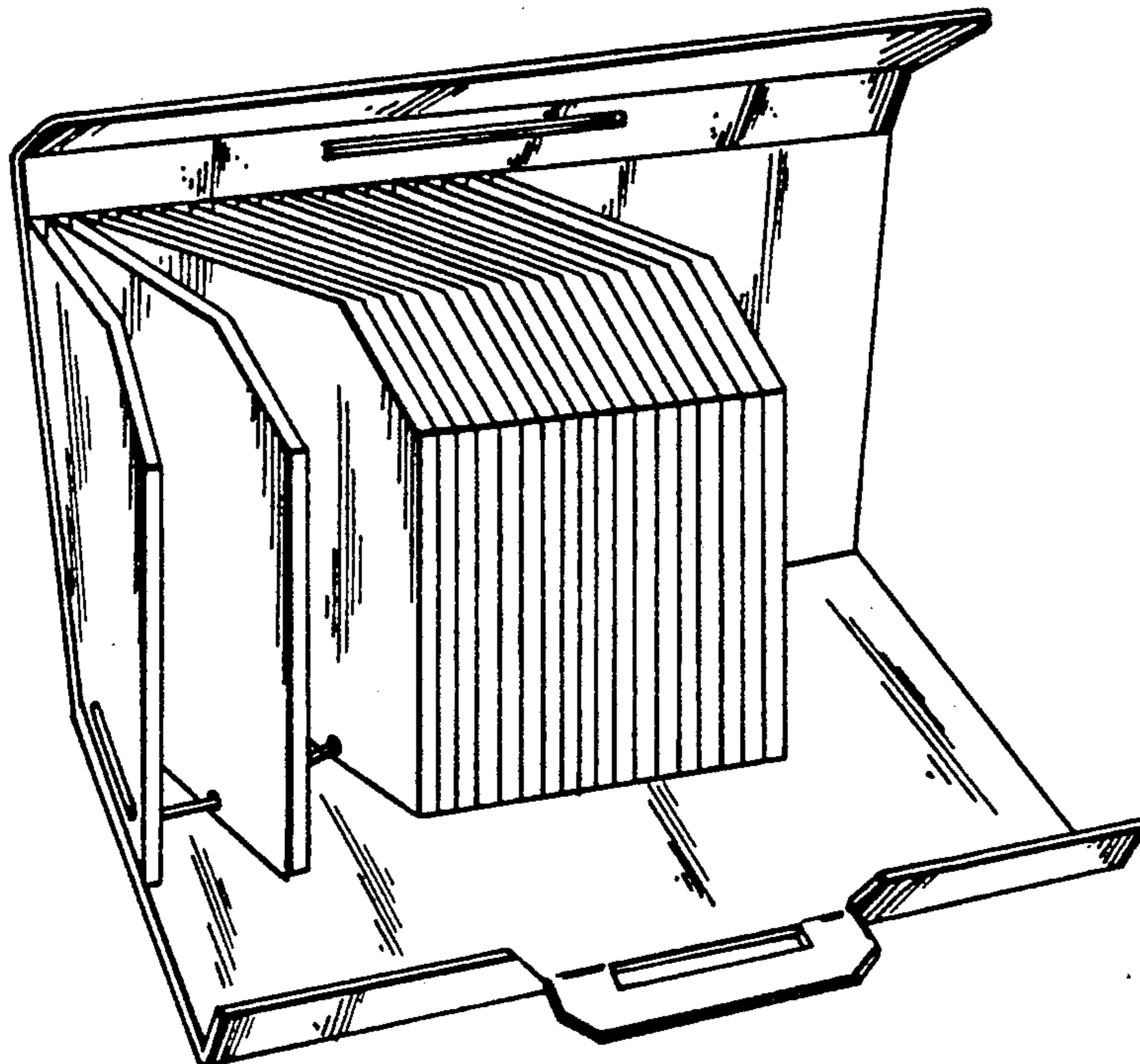
Primary Examiner—A. Hugo Word
Assistant Examiner—M. N. Pandozzi
Attorney, Agent, or Firm—Kelly, Bauersfeld & Lowry

[57] **CLAIM**

The ornamental design for a flexible document case, as shown.

DESCRIPTION

FIG. 1 is a front elevational view of a flexible document case showing my new design;
FIG. 2 is a right side elevational view thereof;
FIG. 3 is a rear elevational view thereof;
FIG. 4 is a left side elevational view thereof;
FIG. 5 is a top plan view thereof;
FIG. 6 is a bottom plan view thereof; and
FIG. 7 is a perspective view thereof in open position.



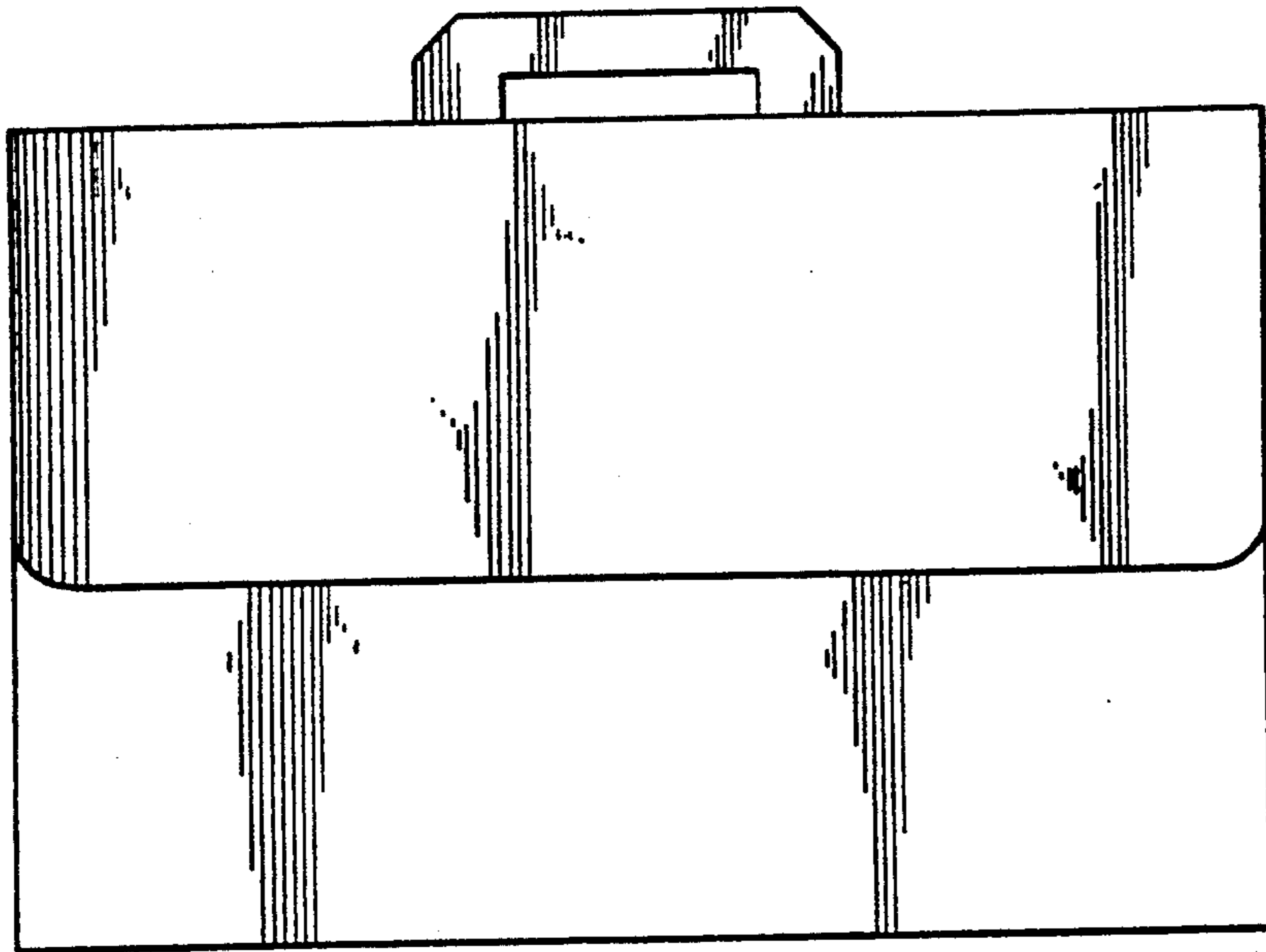


FIG. 1

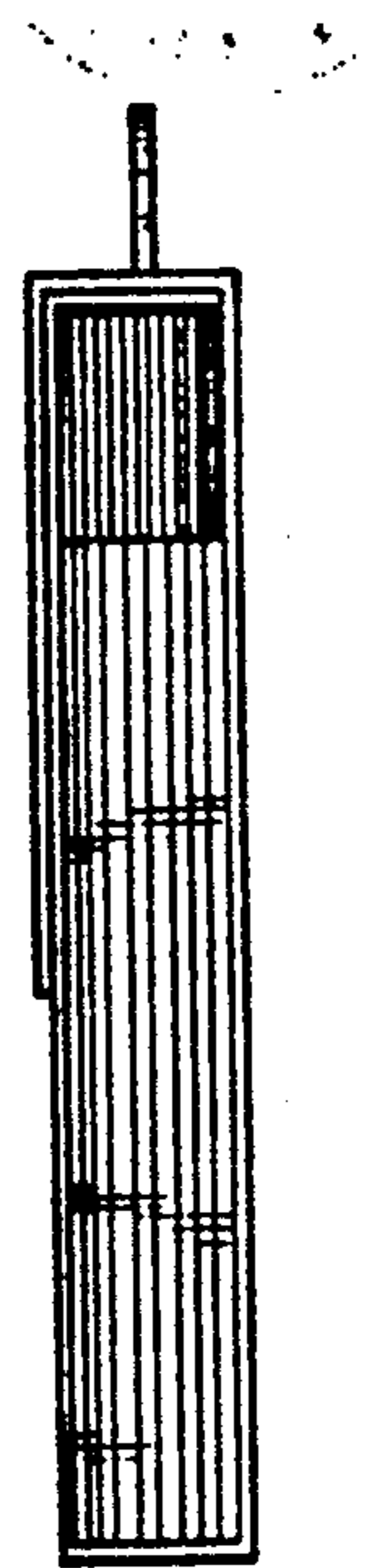


FIG. 2

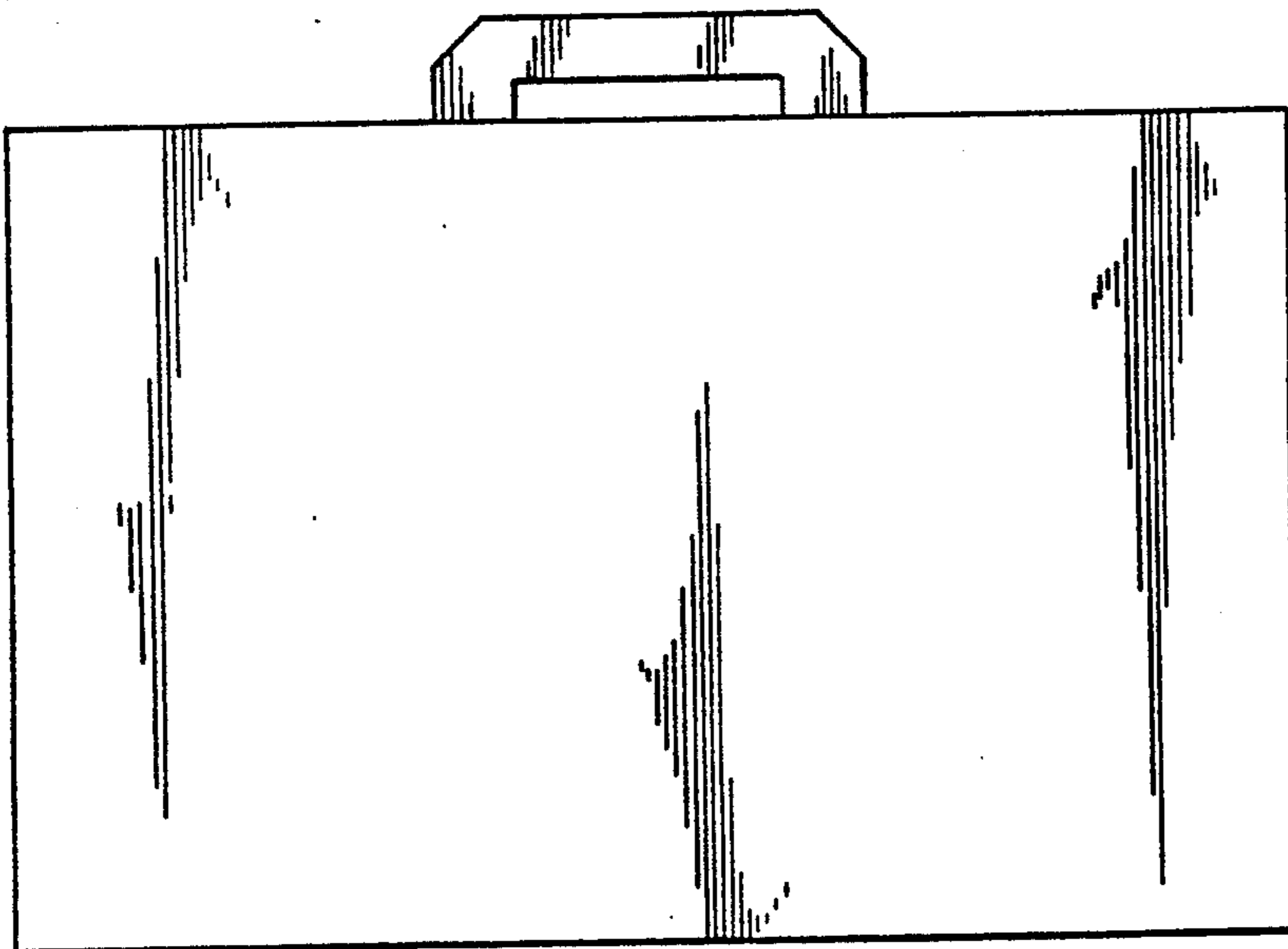


FIG. 3



FIG. 4



FIG. 5

FIG. 6

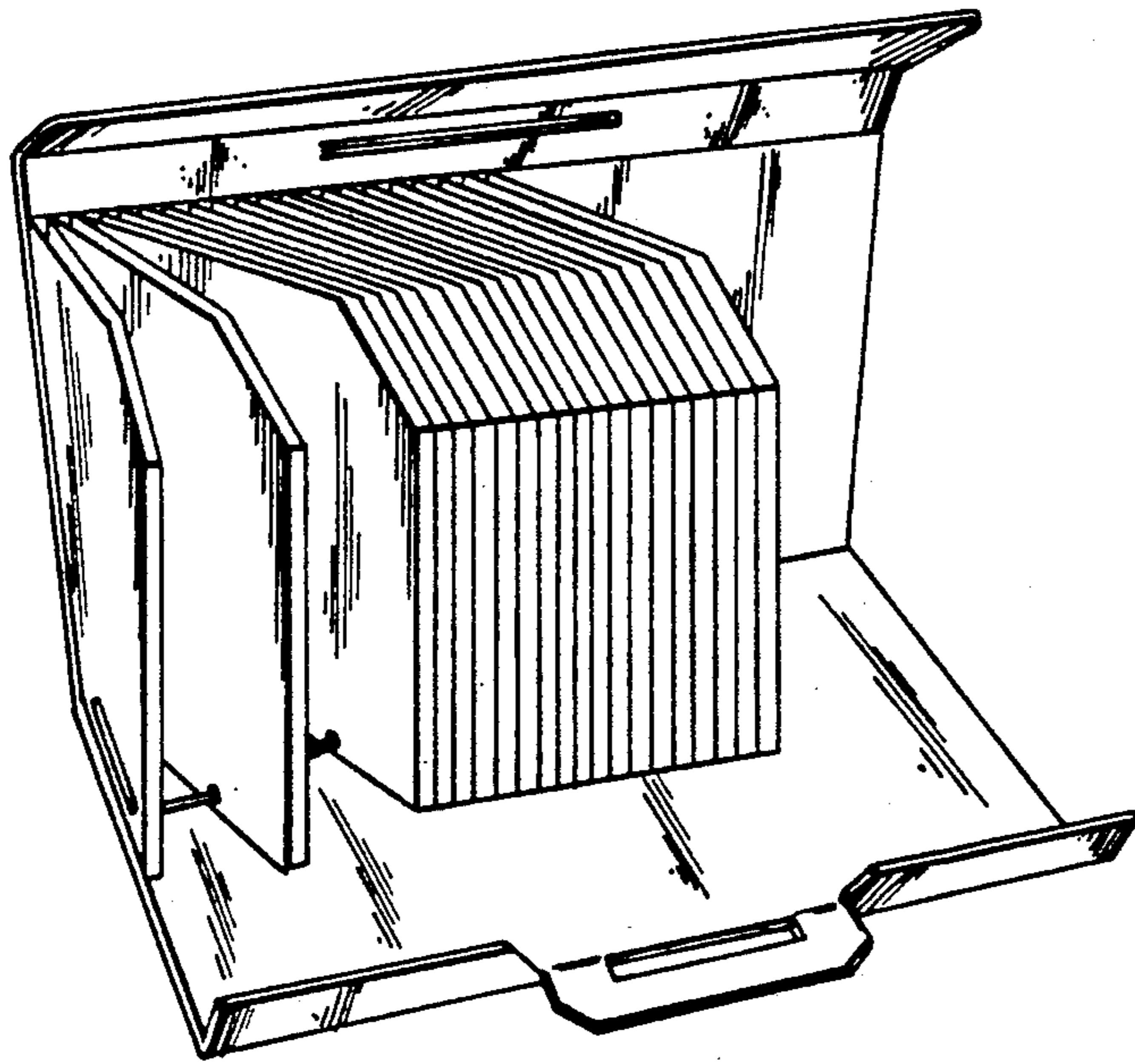
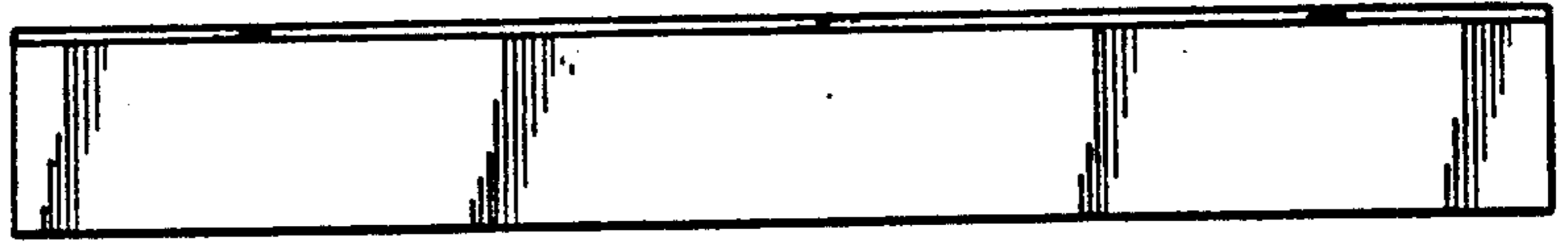


FIG. 7