



US00D323583S

United States Patent [19]

[11] Patent Number: **Des. 323,583**

Bennetts

[45] Date of Patent: **** Feb. 4, 1992**

[54] **AIRPLANE SEAT ATTACHABLE BAG**

[76] Inventor: **John R. Bennetts, 54 Solomon Street, Palmyra, Western Australia, Australia, 6157**

[**] Term: **14 Years**

[21] Appl. No.: **243,763**

[22] Filed: **Sep. 13, 1988**

[52] U.S. Cl. **D3/78; D3/76; D3/77**

[58] Field of Search **D3/71, 38, 76, 40, 70, D3/78, 77; 190/115, 19, 120, 111, 109, 119, 15.1, 21, 26, 100, 22; 206/315.1, 373, 279; D12/156; 224/328, 42.42; 150/166**

[56] **References Cited**

U.S. PATENT DOCUMENTS

D. 185,146	5/1959	Hamel et al.	D12/156
D. 217,907	6/1970	Derenski	D12/156
D. 273,057	3/1984	Katz et al.	D3/76 X
D. 293,391	12/1987	Preston	D3/77 X
D. 295,463	5/1988	Baptiste	D3/77
685,284	10/1901	Longshore, Jr.	190/21
890,480	6/1908	Winans	190/21

2,552,438	5/1951	Kramer	190/111
3,000,418	9/1961	Bitting	224/328 X
4,621,716	11/1986	Rienacker	190/100
4,693,345	9/1987	Mittelman	206/279 X

FOREIGN PATENT DOCUMENTS

882 of 1864 United Kingdom 190/41

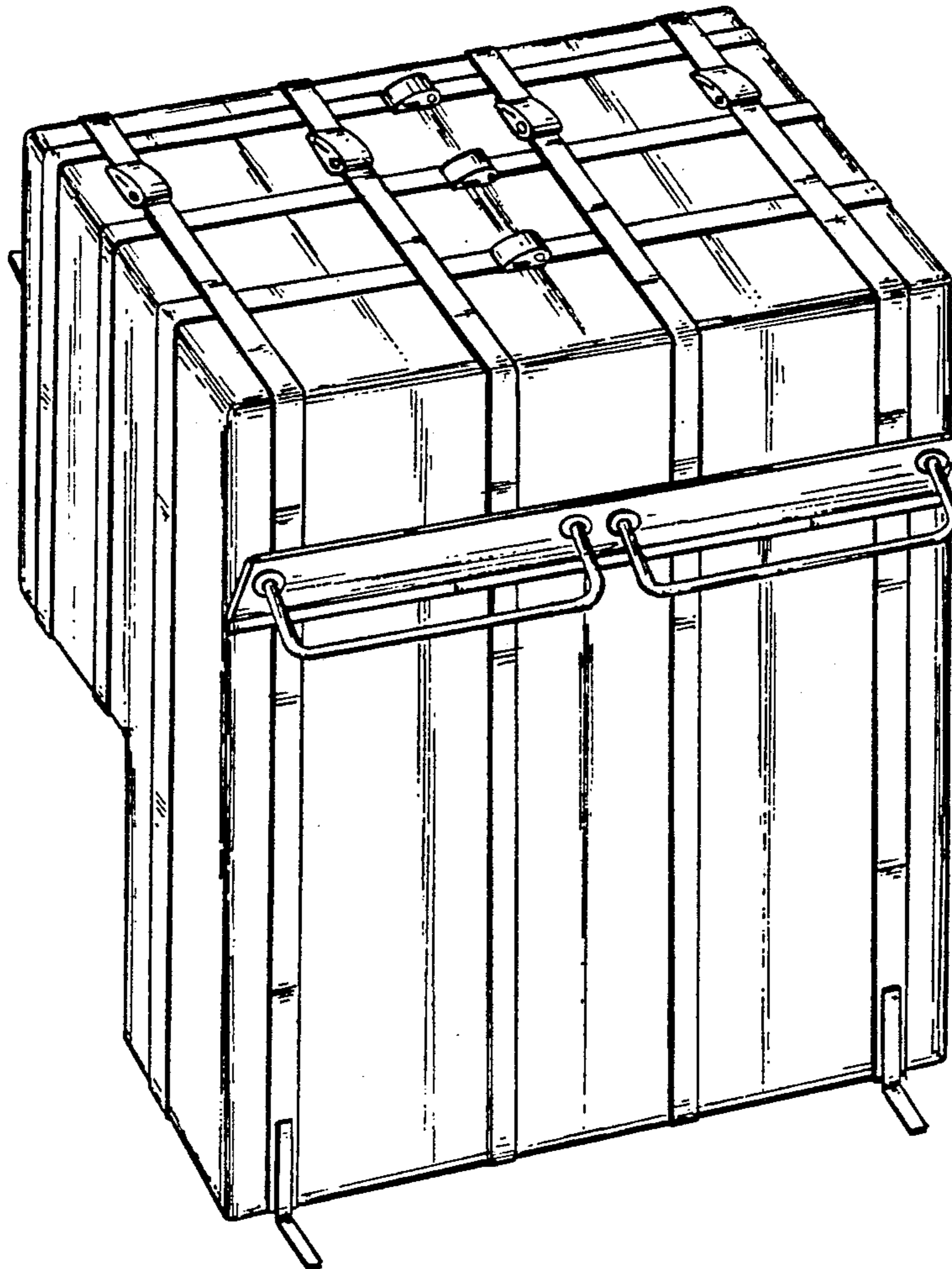
Primary Examiner—A. Hugo Word
Assistant Examiner—M. N. Pandozzi
Attorney, Agent, or Firm—Bachman & LaPointe

[57] **CLAIM**

The ornamental design for an airplane seat attachable bag, as shown and described.

DESCRIPTION

FIG. 1 is a front perspective view of an airplane seat attachable bag, showing my new design; FIG. 2 is a rear perspective view thereof; FIG. 3 is a front perspective view with flaps open; FIG. 4 is a rear perspective view thereof with flaps open; FIG. 5 is a rear elevational view thereof; and FIG. 6 is a right side elevational view, the left side being a mirror image thereof.



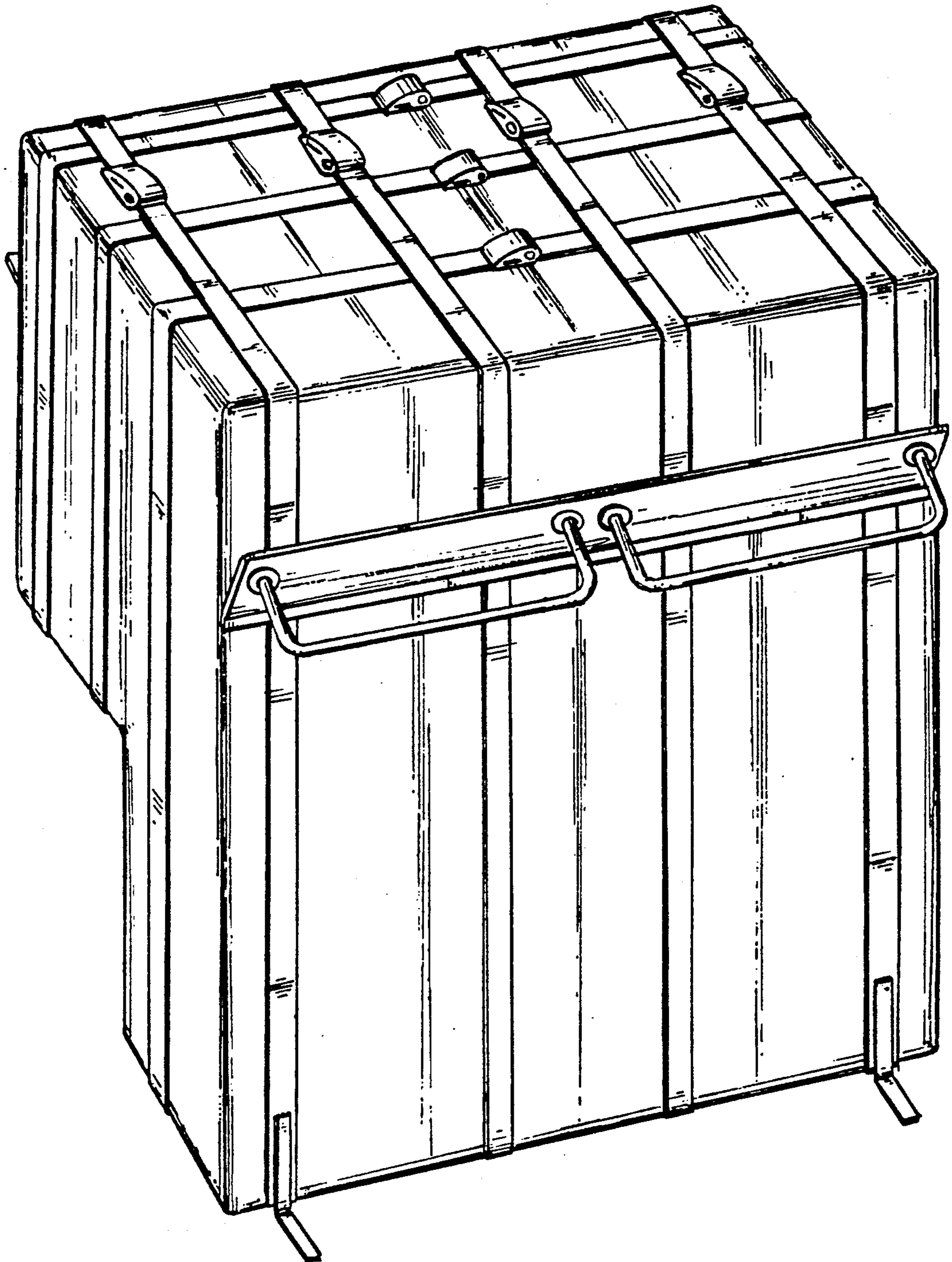


FIG-1

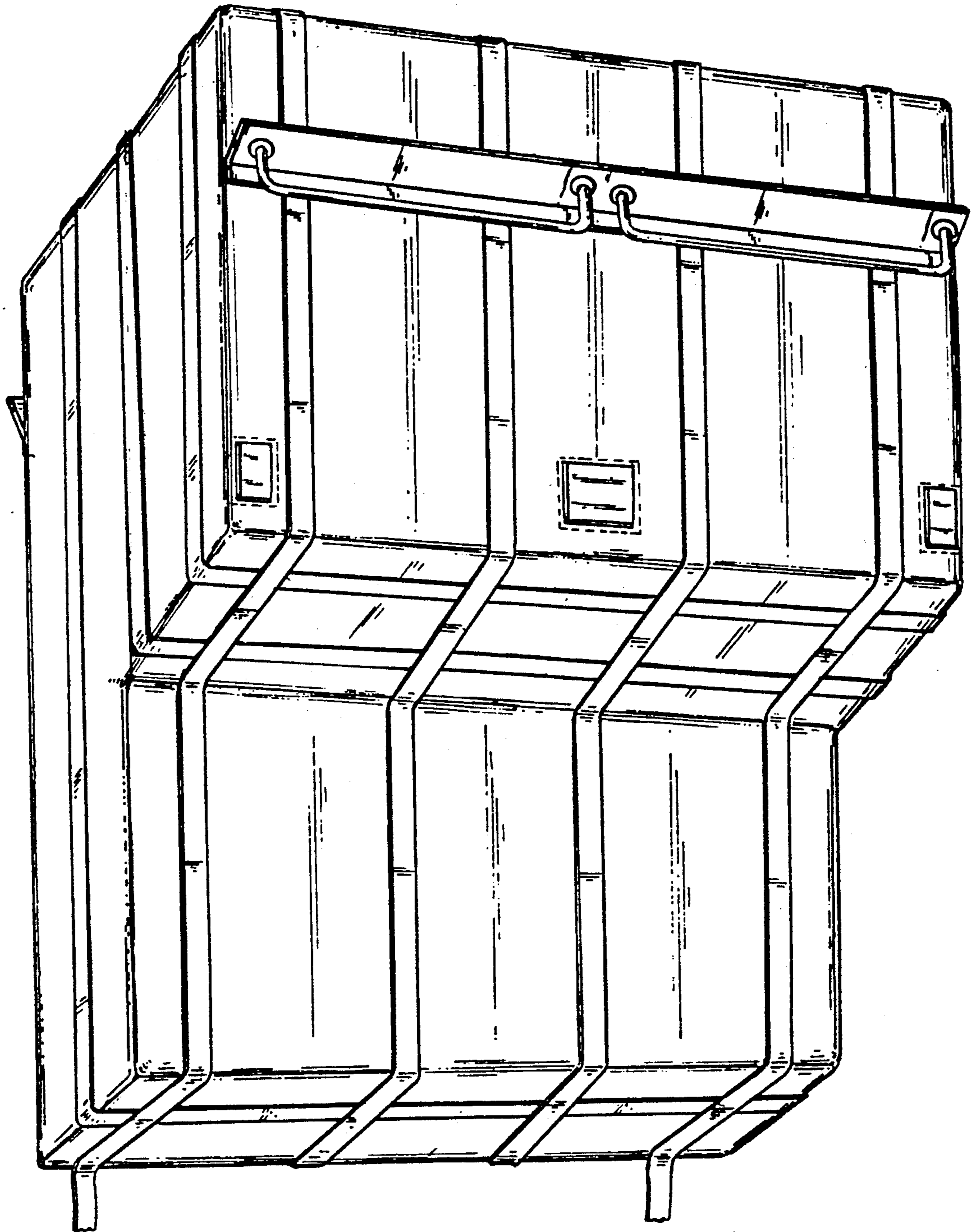


FIG-2

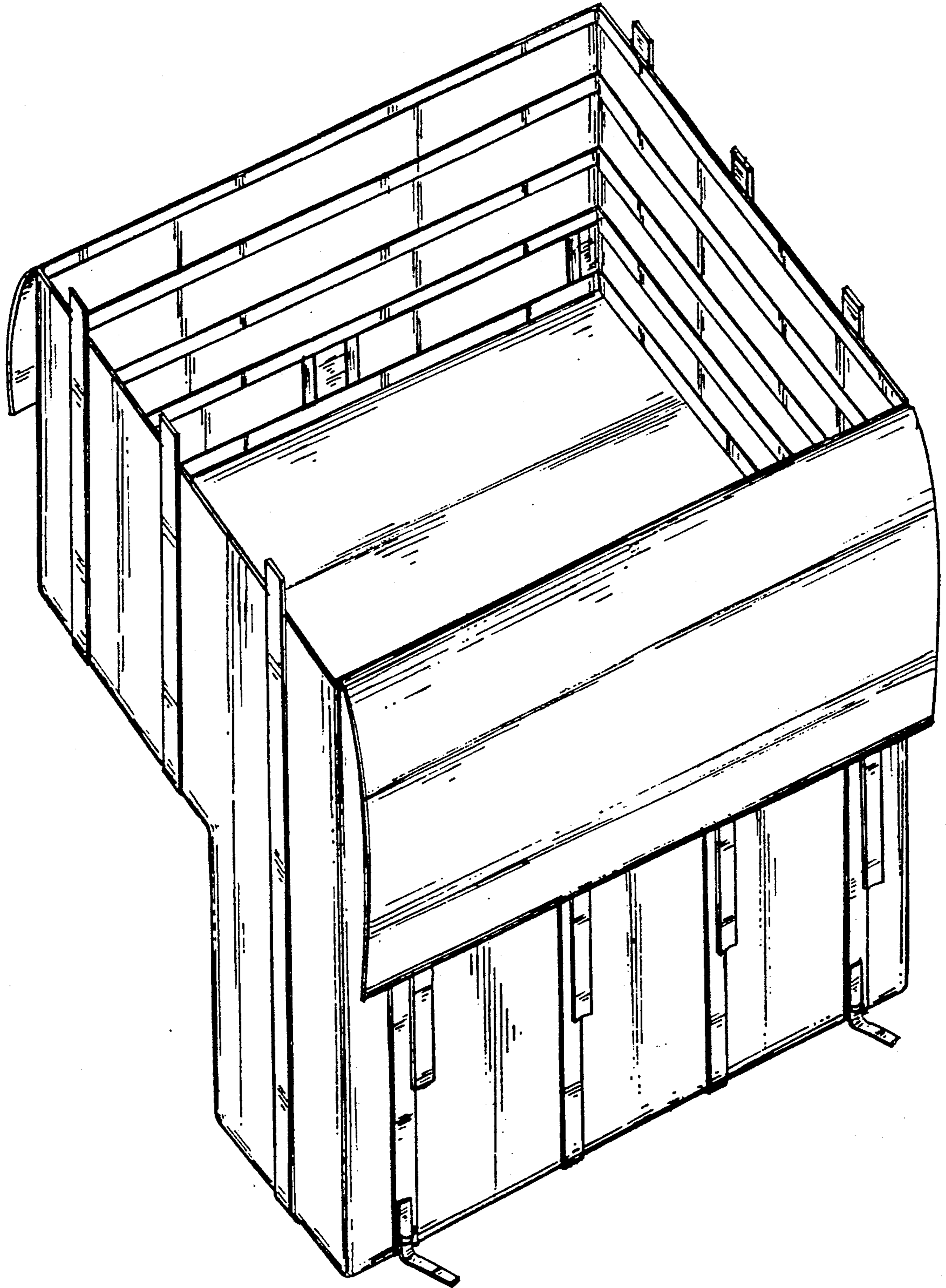


FIG - 3

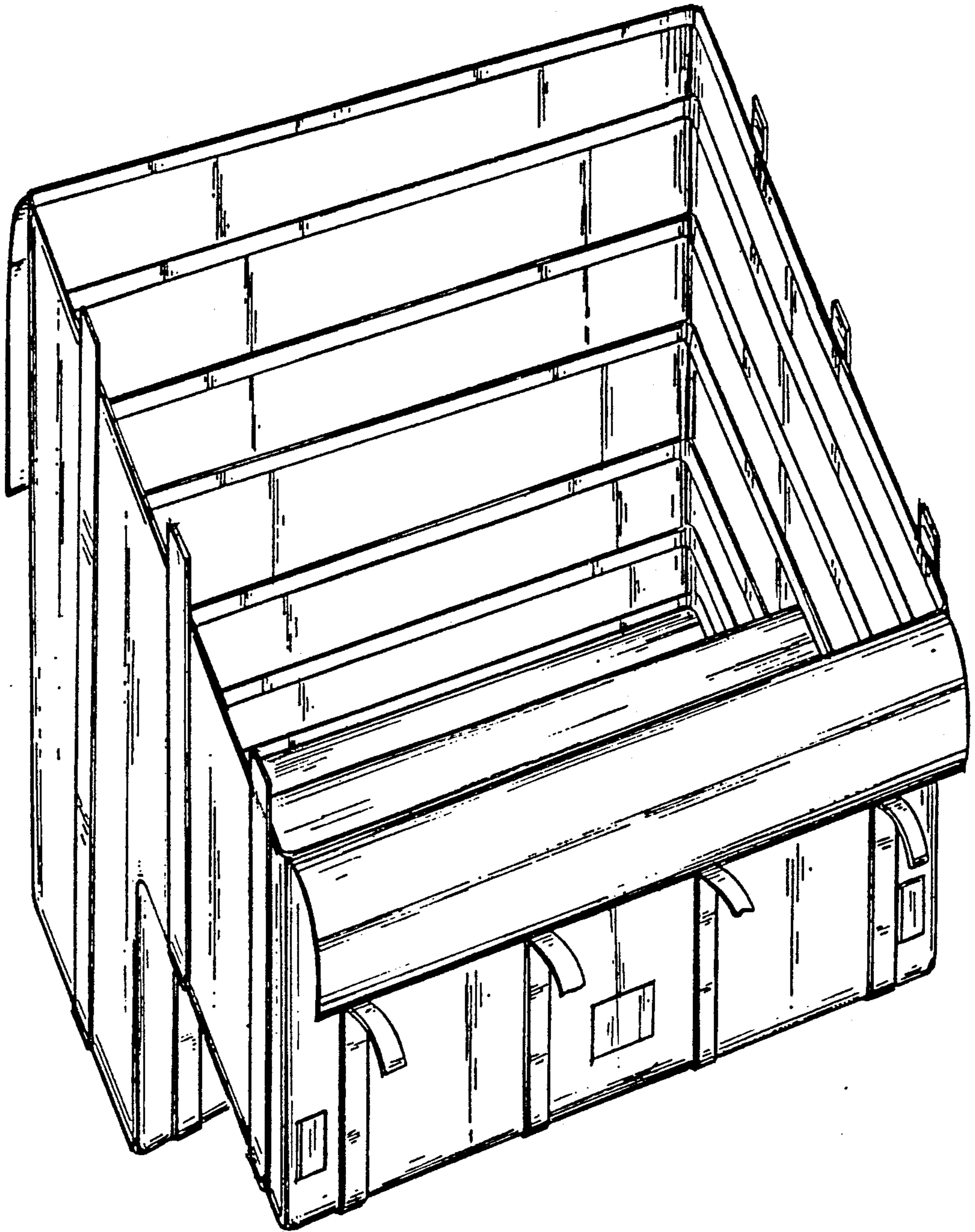


FIG - 4

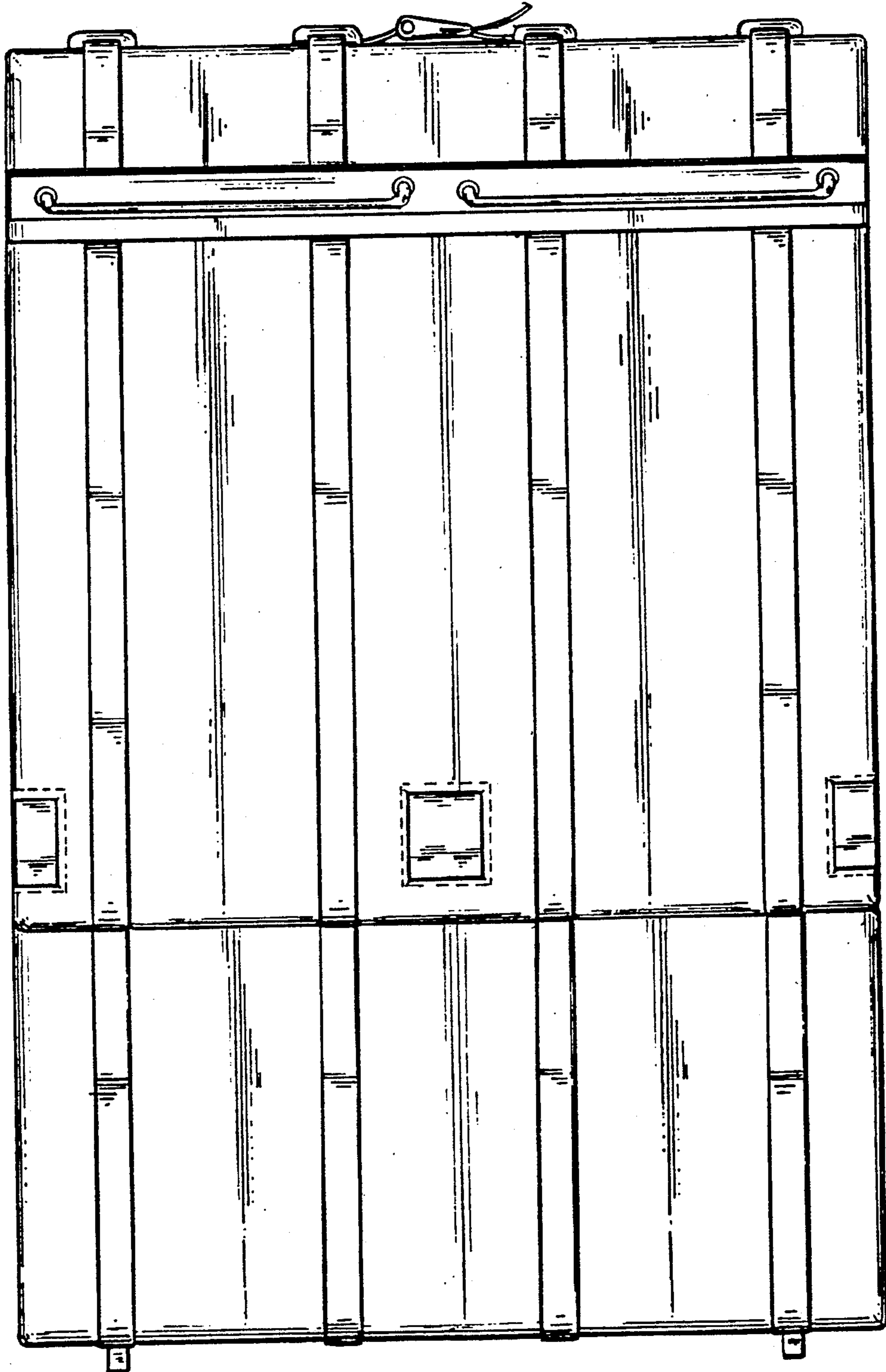


FIG-5

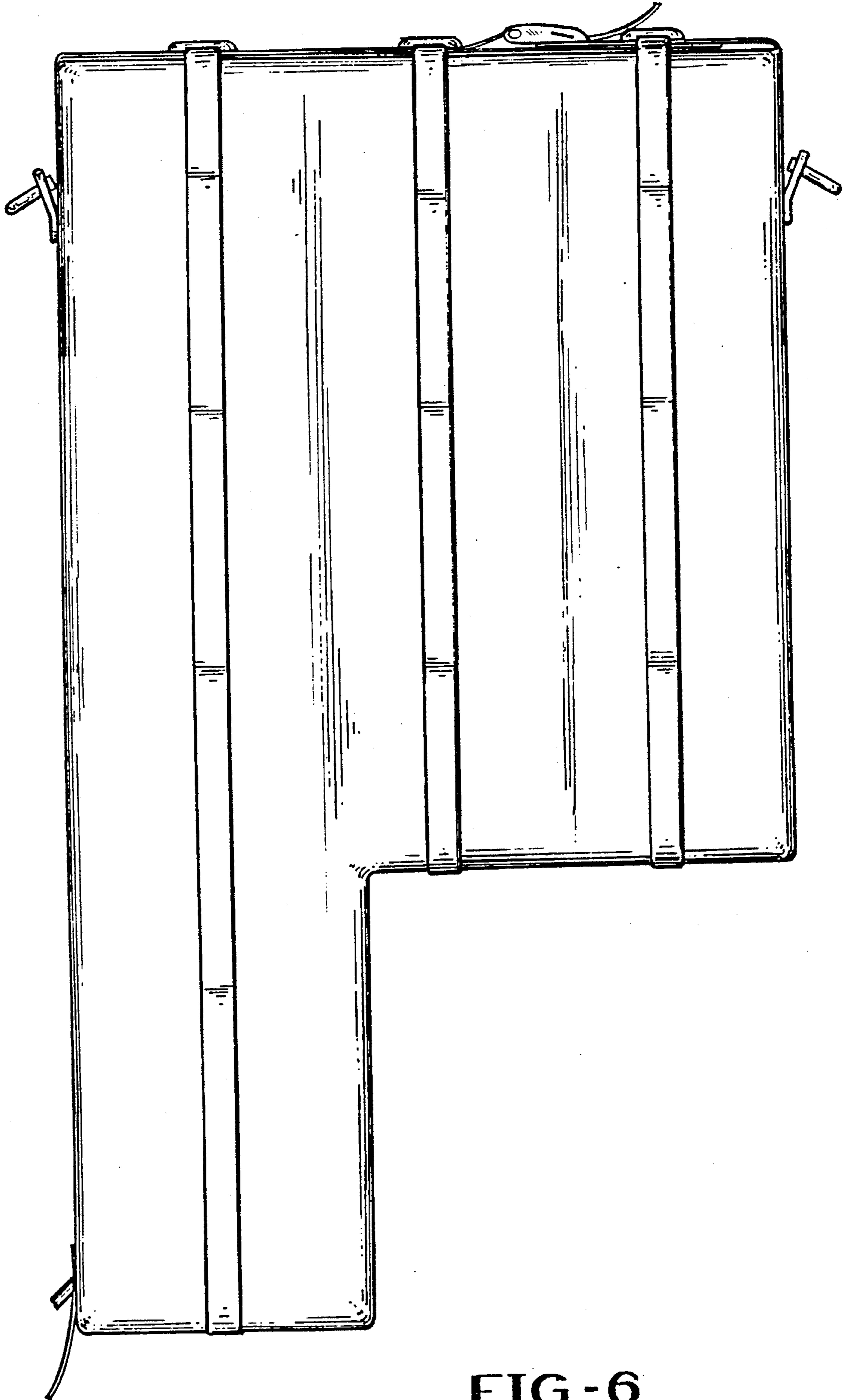


FIG - 6