



US00D323574S

United States Patent [19]

[11] Patent Number: **Des. 323,574**

Carter

[45] Date of Patent: **** Jan. 28, 1992**

[54] **TRANSPARENT PROTECTIVE COVER FOR A BANK MACHINE**

[76] Inventor: **N. R. Carter, 125 E. Parker Rd., Houston, Tex. 77076**

[**] Term: **14 Years**

[21] Appl. No.: **292,734**

[22] Filed: **Jan. 3, 1989**

[52] U.S. Cl. **D99/43**

[58] Field of Search **D99/43; D9/303, 304, D9/346, 347, 414, 415, 423, 424, 425, 432, 434; 70/56**

D. 227,088	6/1973	Francis	D99/43
D. 227,353	6/1973	Francis	D99/43
D. 283,310	4/1986	Sussman	D9/424
1,632,536	6/1927	Breen	232/6
4,700,556	10/1987	Wade et al.	70/56

Primary Examiner—Nelson C. Holtje
Assistant Examiner—J. H. Musgrove
Attorney, Agent, or Firm—Parks and Associates

[57] CLAIM

The ornamental design for a transparent protective cover for a bank machine, as shown and described.

DESCRIPTION

FIG. 1 is a rear and bottom-right perspective view of a transparent protective cover for a bank machine showing my new design;

FIG. 2 is a front and top-left perspective view; and

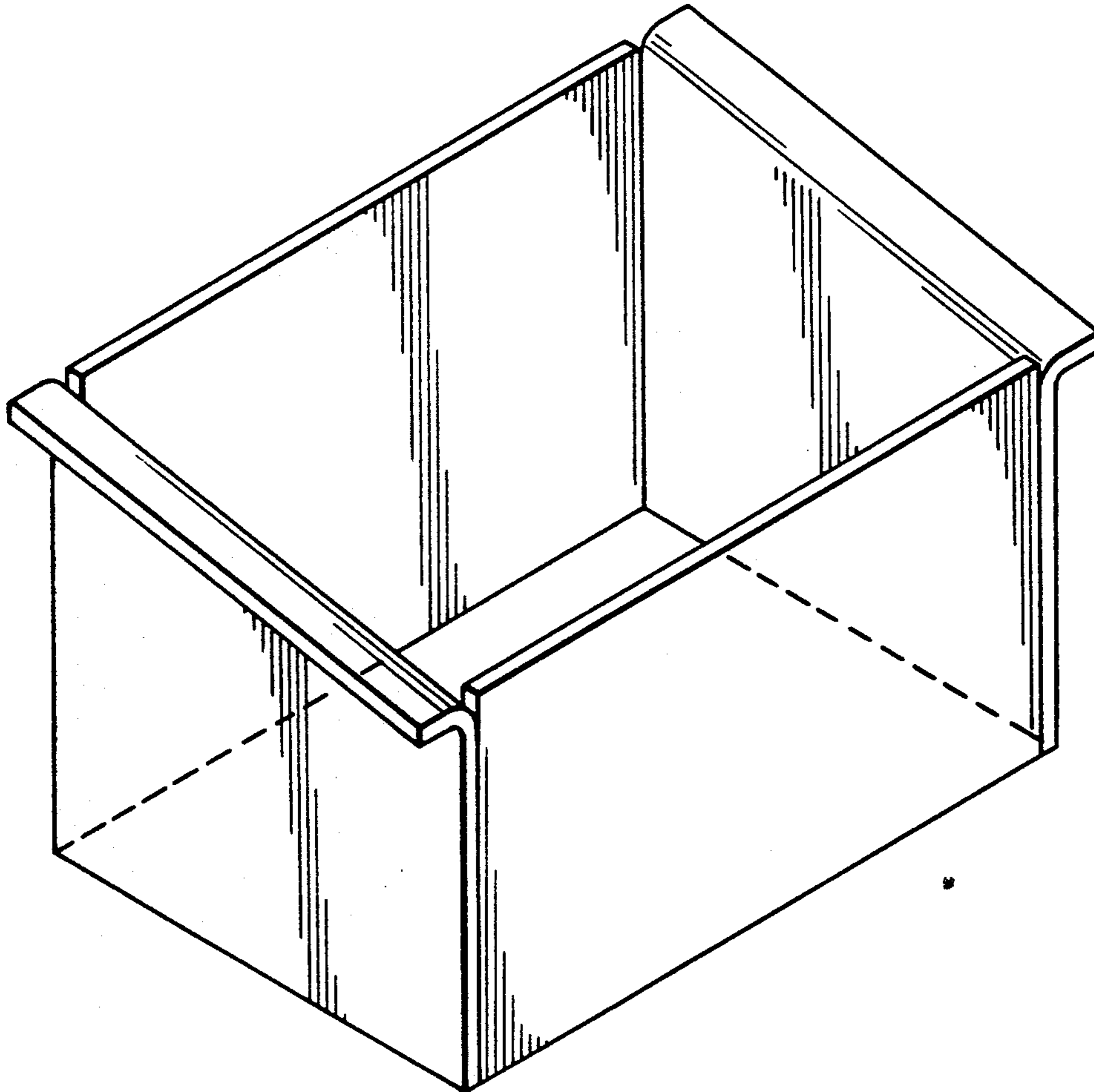
FIG. 3 is a front and top-right perspective view.

The broken lines showing of FIG. 3 is for environmental purposes only and forms no part of the claimed design.

[56] References Cited

U.S. PATENT DOCUMENTS

D. 177,721	5/1956	Deaton	D99/43
D. 209,336	11/1967	Dykes	D9/346
D. 219,957	2/1971	Spahr	D9/414
D. 220,091	3/1971	Francis	D99/43
D. 220,092	3/1971	Francis	D99/43
D. 225,215	11/1972	Francis	D99/43



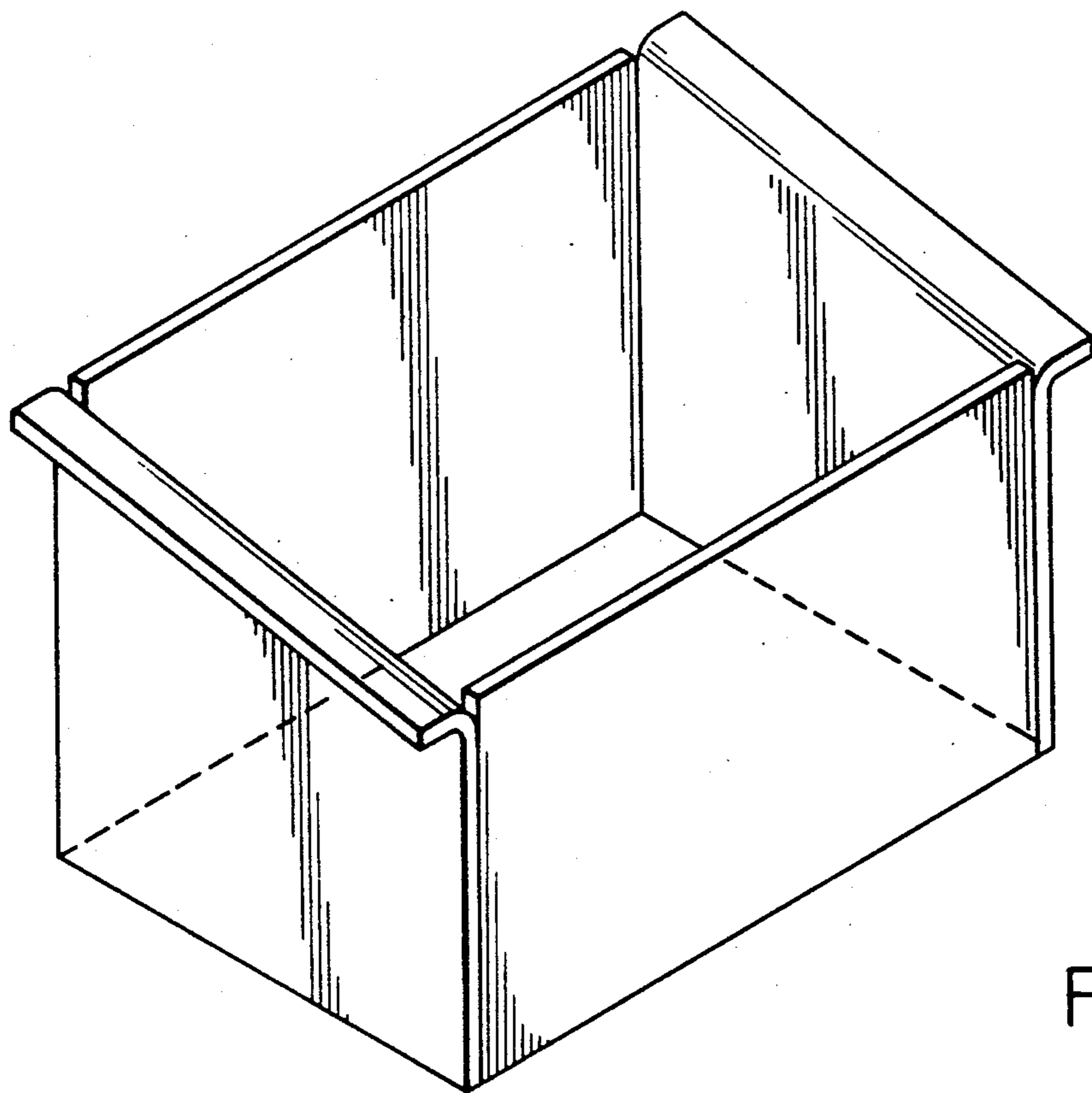


FIG. 1

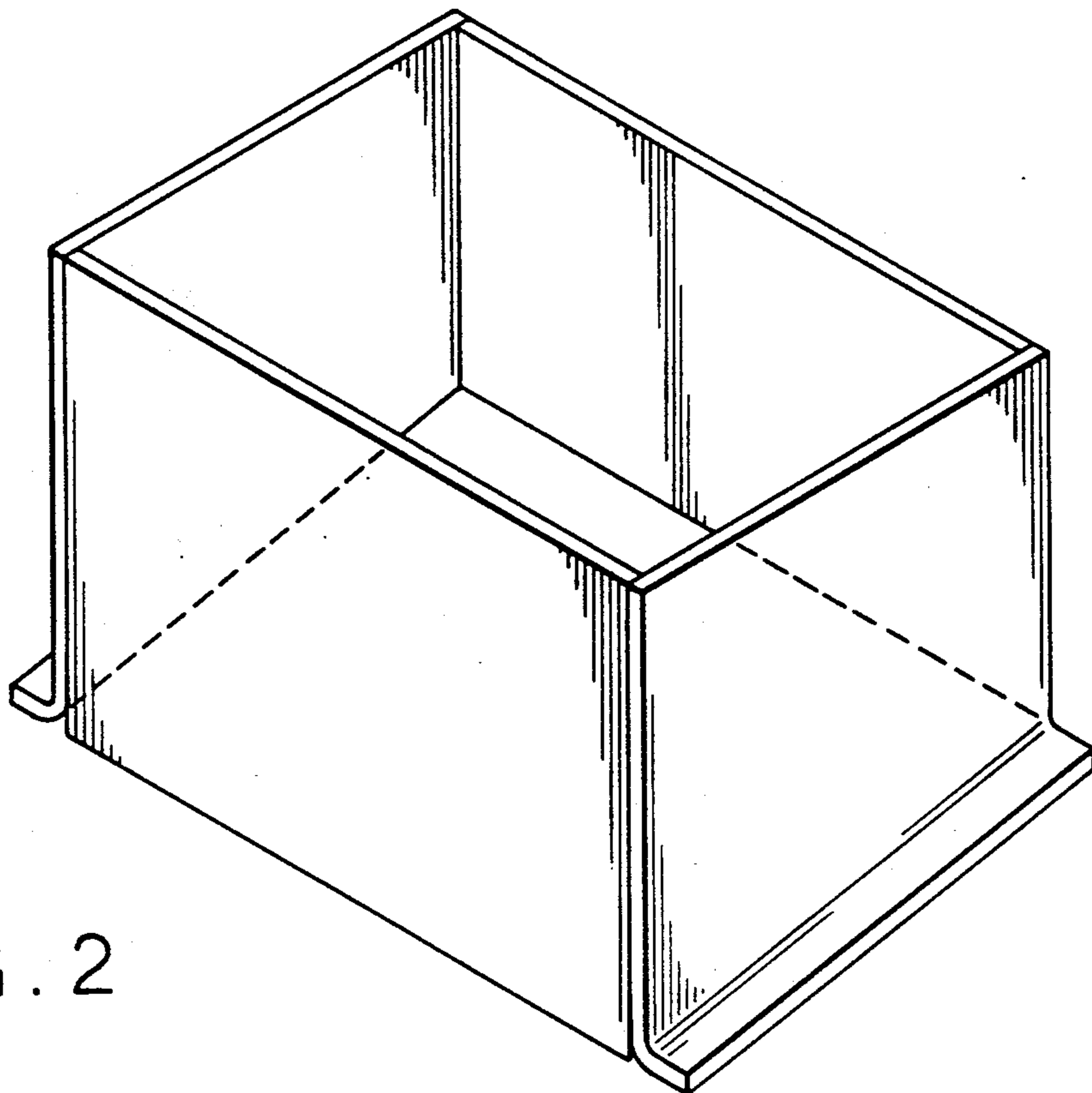


FIG. 2

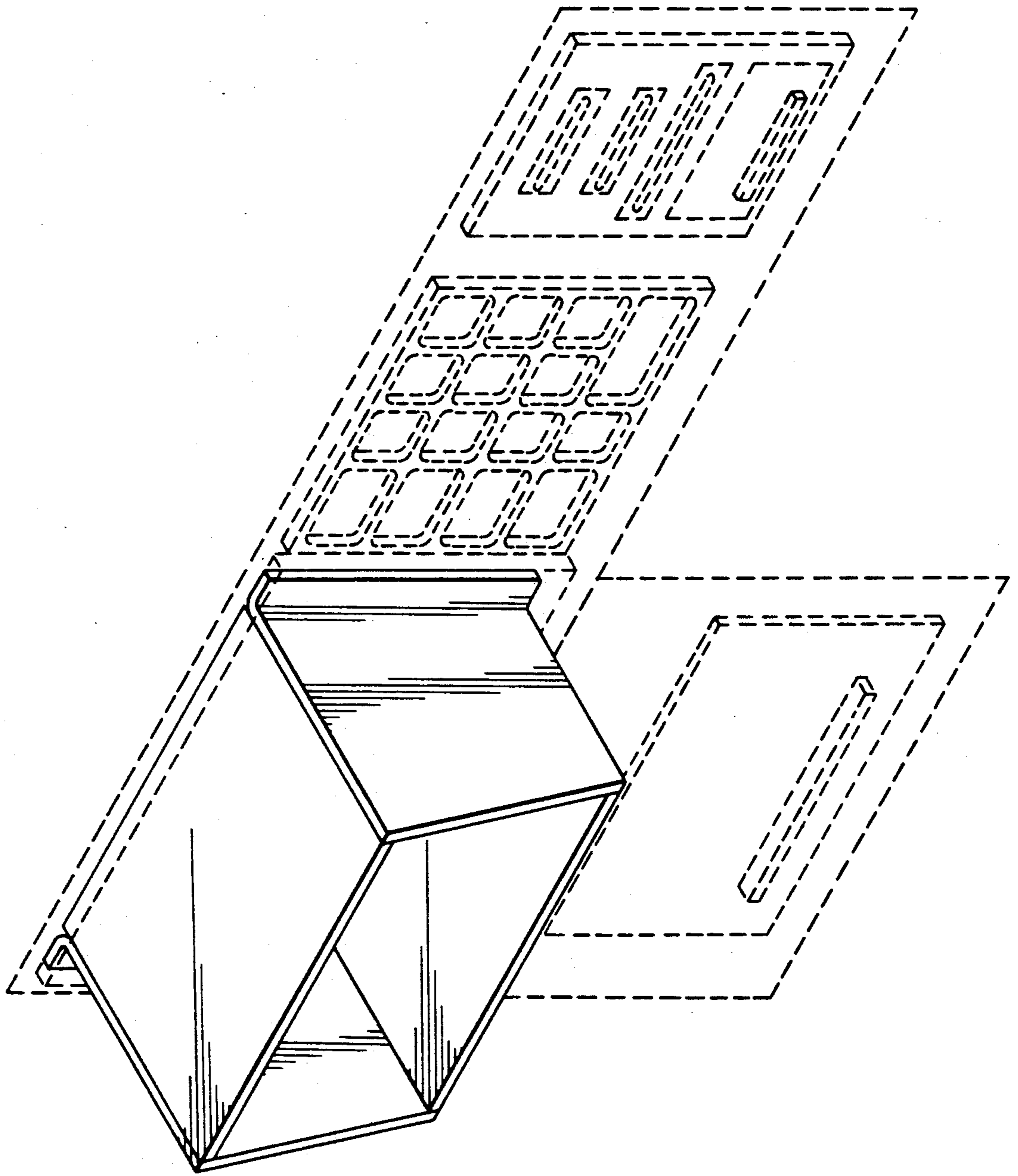


FIG. 3