



US00D323573S

United States Patent [19]

Schneider

[11] Patent Number: **Des. 323,573**

[45] Date of Patent: **** Jan. 28, 1992**

[54] RECYCLE CONTAINER

[76] Inventor: **Donald W. Schneider**, 2934 Manning, Cheviot Hills, Calif. 90064

[**] Term: **14 Years**

[21] Appl. No.: **471,728**

[22] Filed: **Jan. 29, 1990**

[52] U.S. Cl. **D34/1**

[58] Field of Search **D34/1, 8; 220/908, 909, 220/910, 500; 232/1 R, 43.1, 43.2; 312/211**

[56] **References Cited**

U.S. PATENT DOCUMENTS

1,364,209	1/1921	Richardson	232/43.2
3,861,296	1/1975	Clar	232/43.2
4,660,758	4/1987	Tavel et al.	312/211

FOREIGN PATENT DOCUMENTS

7603682 10/1977 Netherlands 232/43.1

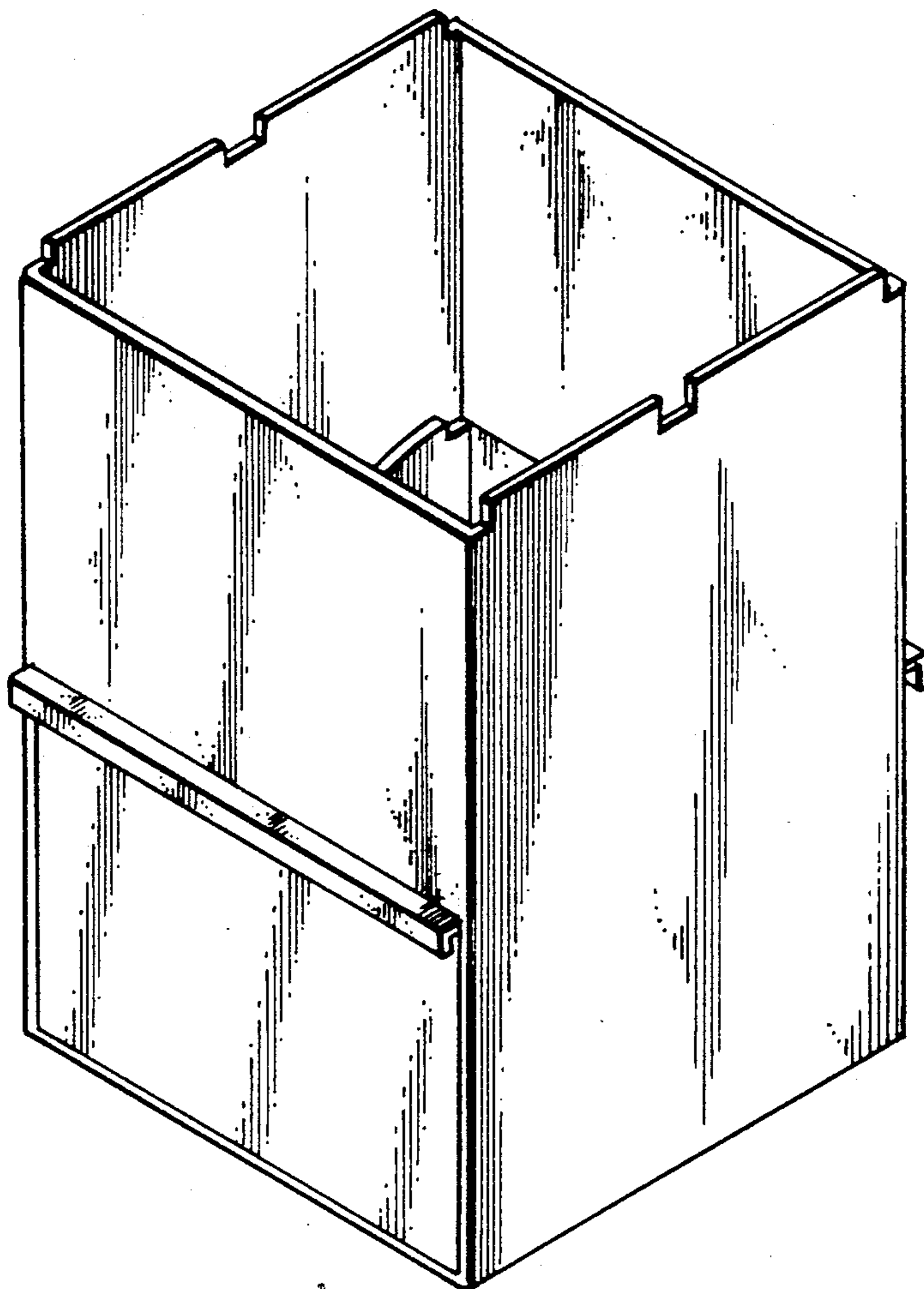
Primary Examiner—Kay H. Chin
Attorney, Agent, or Firm—Sanford Astor

[57] **CLAIM**

The ornamental design for a recycle container, as shown and described.

DESCRIPTION

FIG. 1 is a top and side perspective view of a recycle container showing my new design; FIG. 2 is a side elevational view thereof, the opposite side view being a mirror image of that shown; FIG. 3 is a front elevational view thereof, the rear elevational view being a mirror image of the shown; FIG. 4 is a top plan view thereof; FIG. 5 is a bottom plan view thereof; and FIG. 6 is a top and side perspective view thereof with the side doors in an open condition.



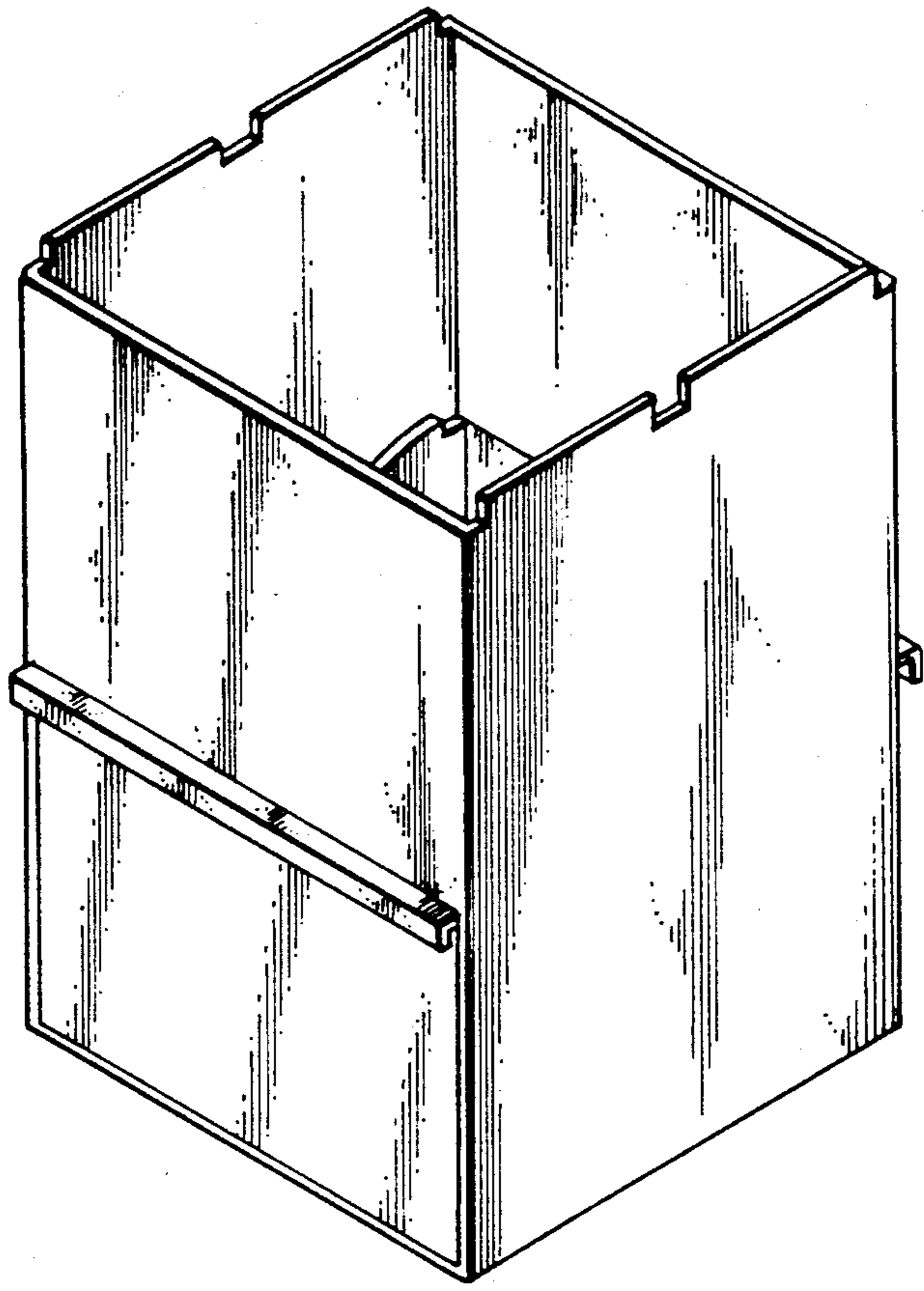


FIG. 1

FIG. 2

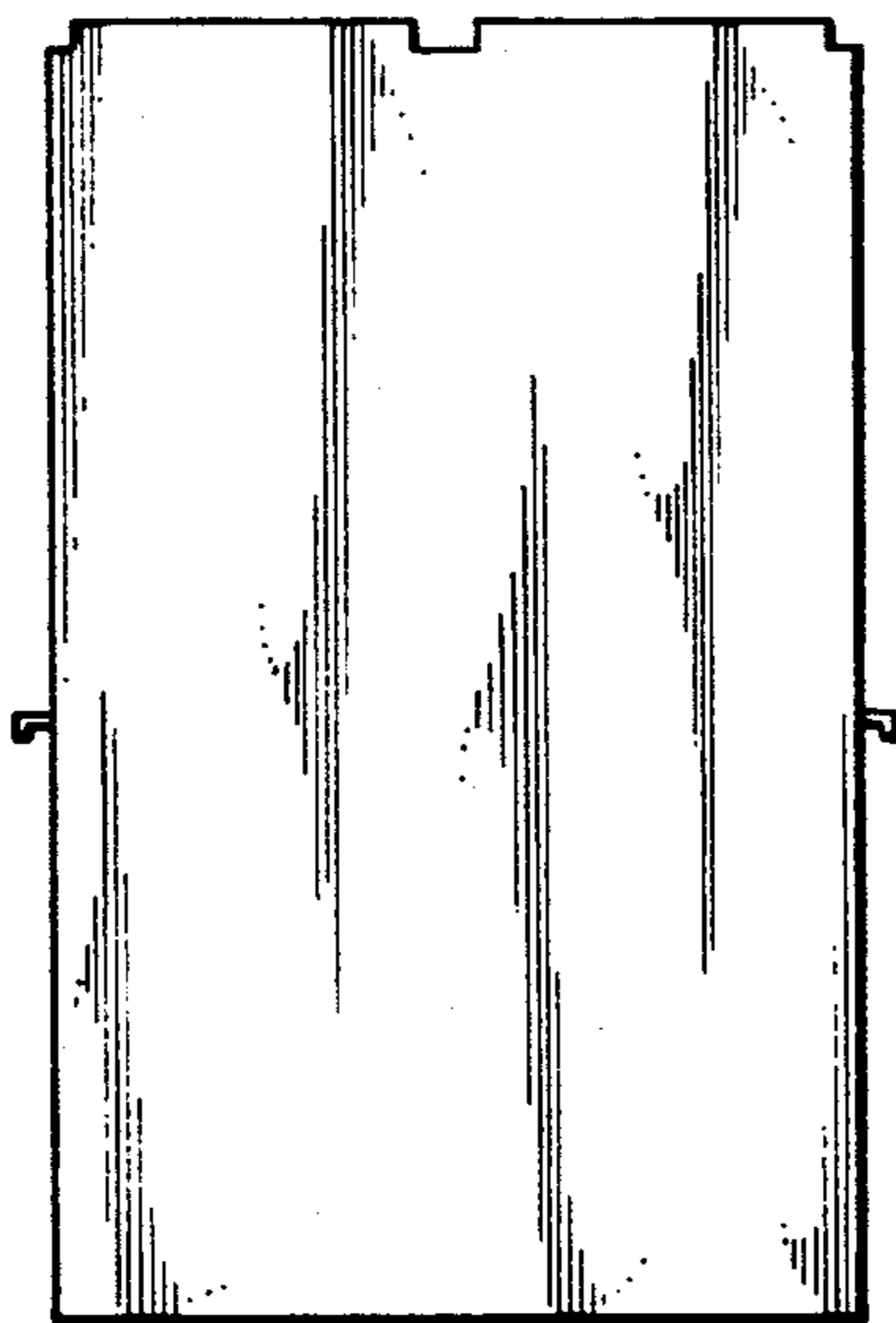
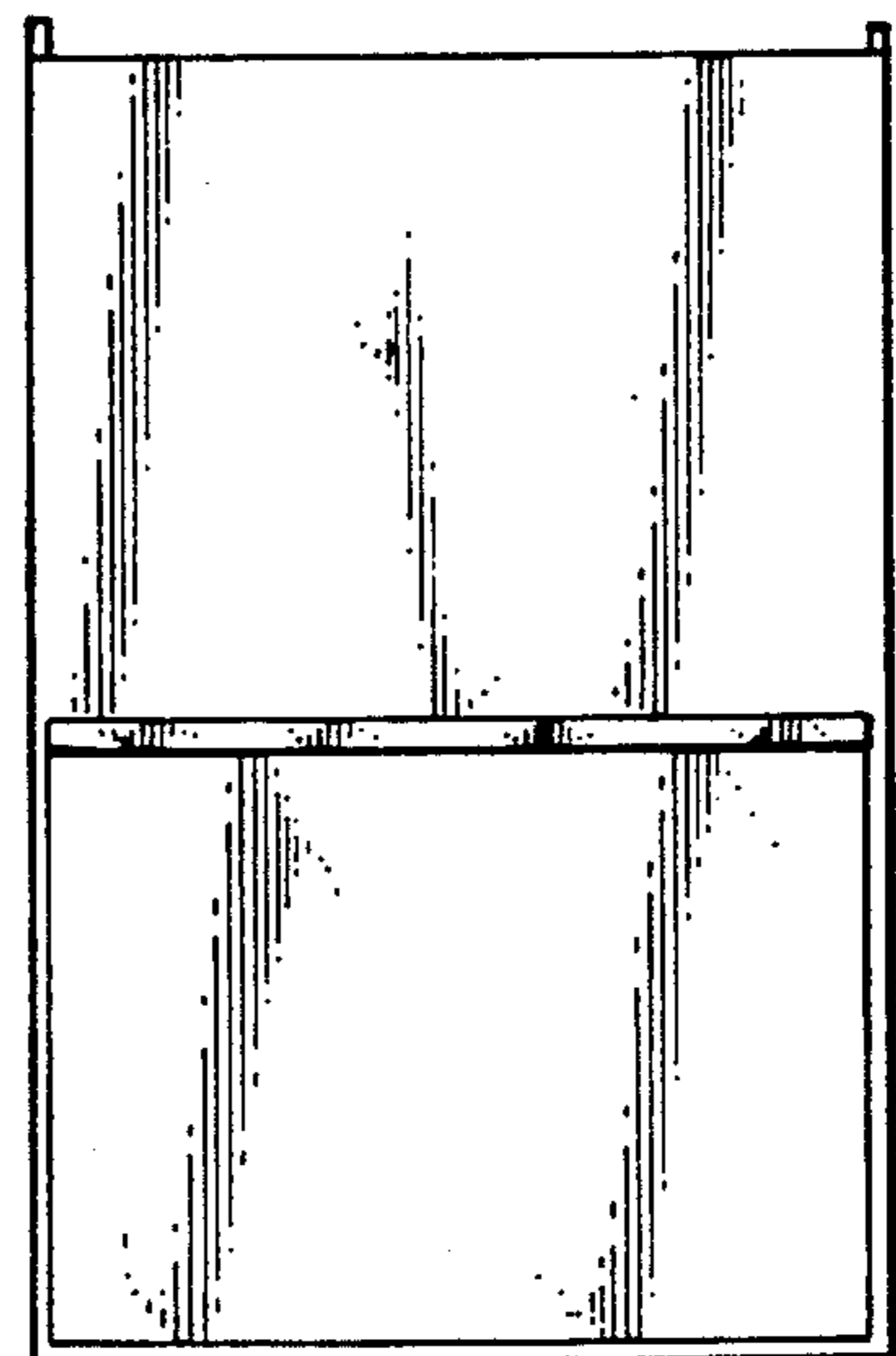


FIG. 3



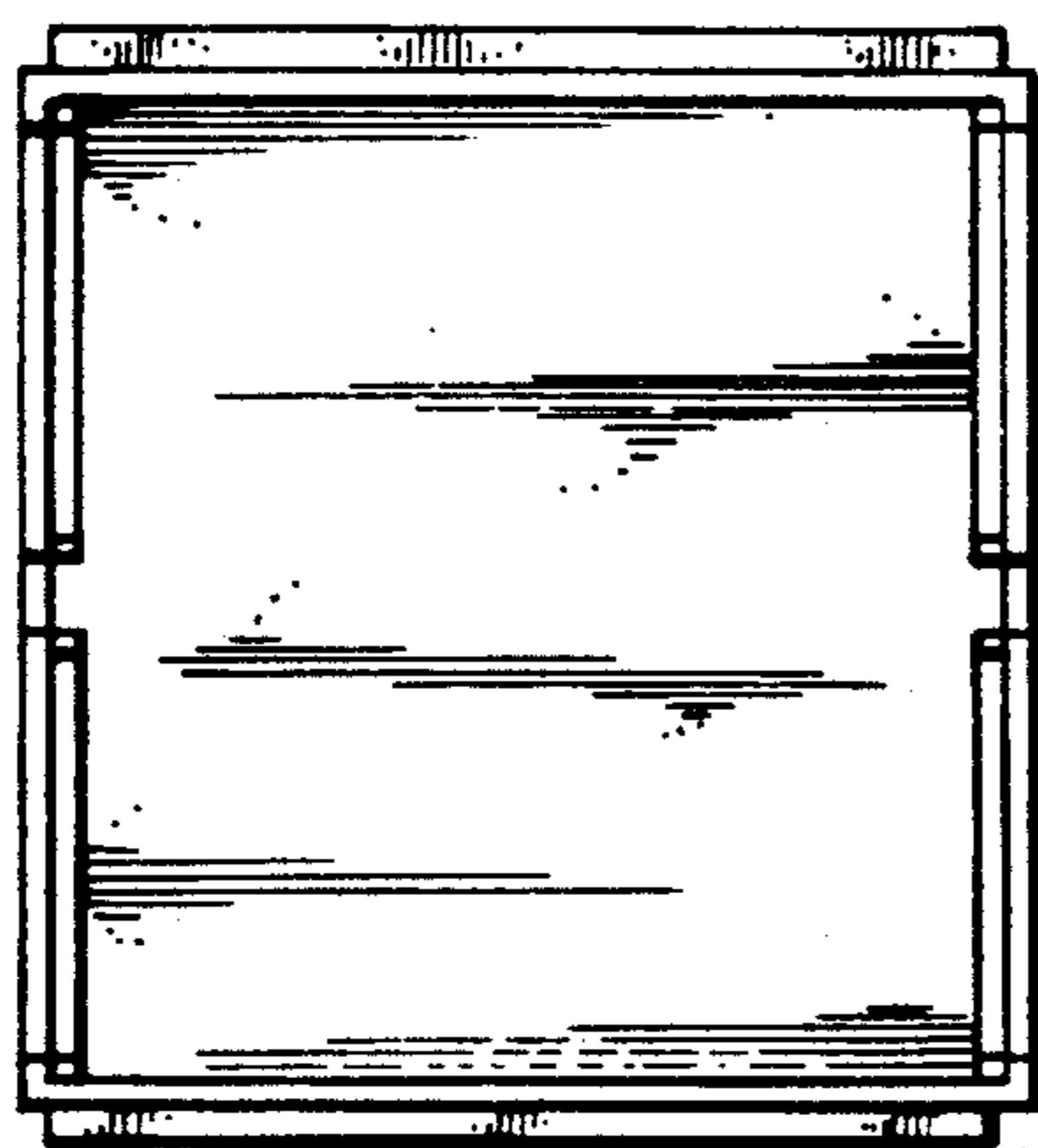


FIG. 4

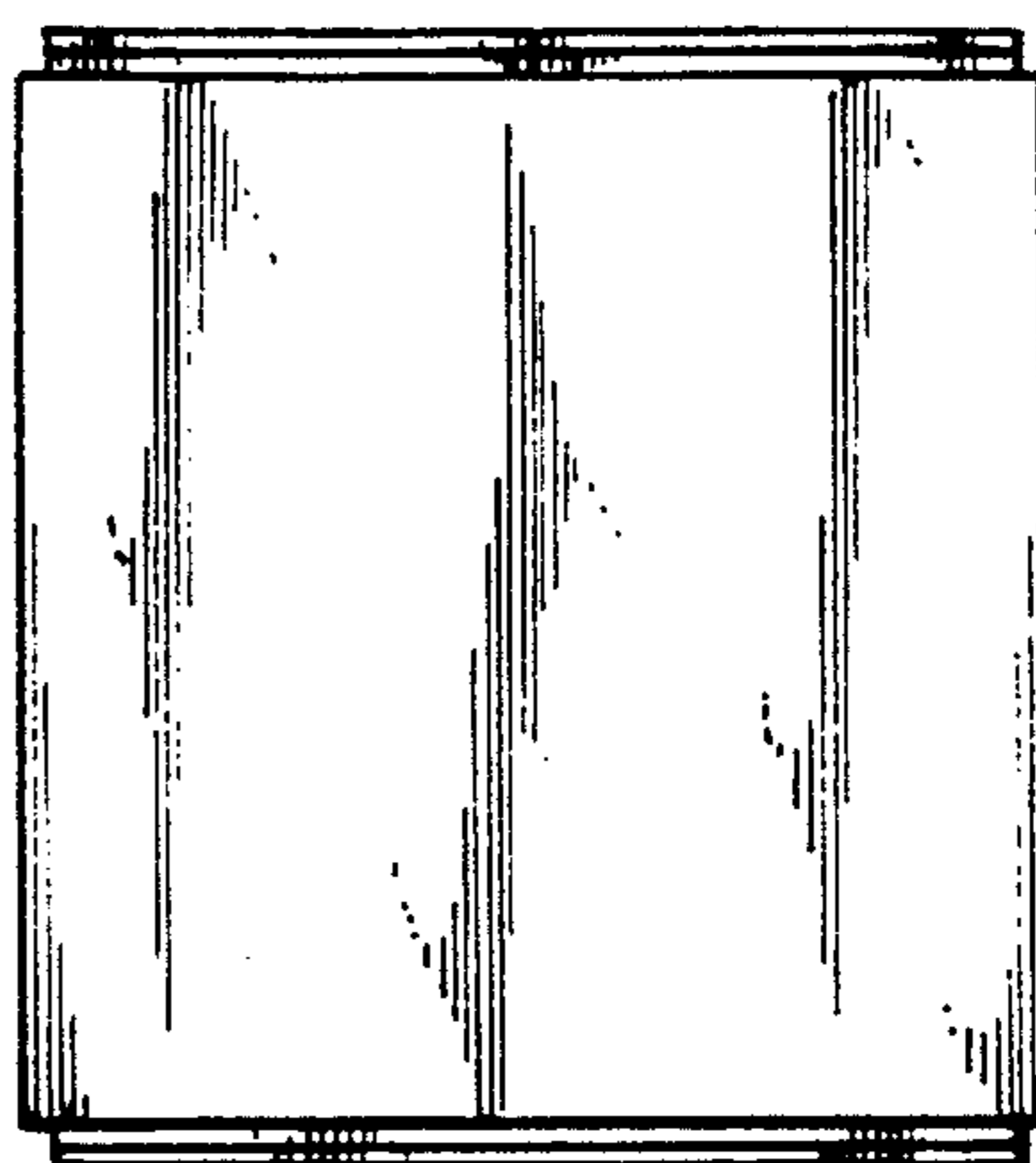


FIG. 5

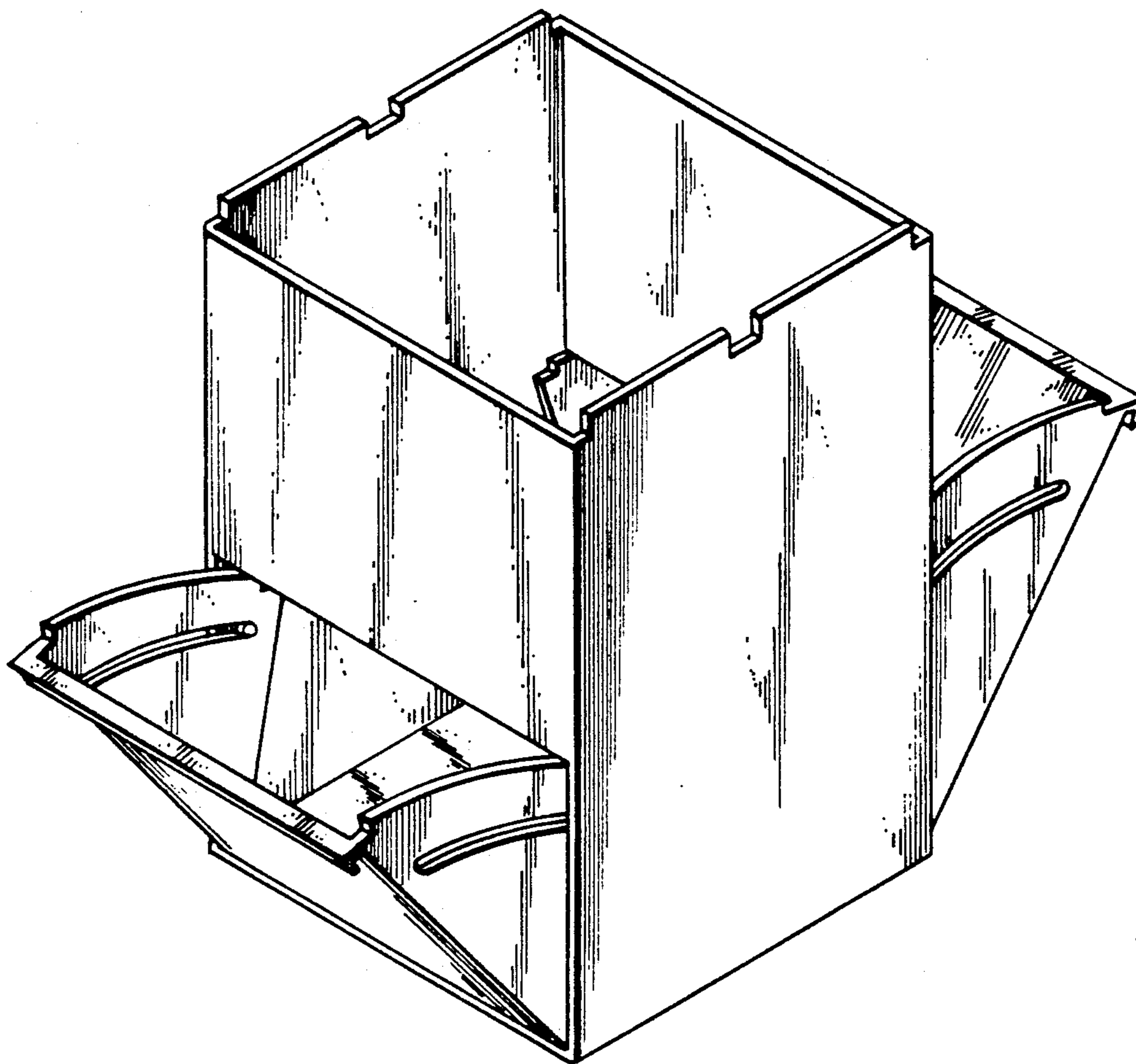


FIG. 6