



US00D323568S

United States Patent [19]

[11] Patent Number: **Des. 323,568**

Hackler

[45] Date of Patent: **** Jan. 28, 1992**

[54] **COMBINED DISPENSING APPLICATOR AND COVER THEREFOR**

[76] Inventor: **H. Catherine Hackler, Rte. 2, Box 124, Ten Mile, Tenn. 37880**

[**] Term: **14 Years**

[21] Appl. No.: **313,156**

[22] Filed: **Feb. 21, 1989**

[52] U.S. Cl. **D28/63; D28/7; D32/45**

[58] Field of Search **D4/114, 127, 132, 134, D4/137-138, 199; D28/7, 63; D32/35, 40, 45; 15/104.92-104.94, 244.1-244.4; 401/23-27, 137-140, 143, 146, 149**

2,817,106	12/1957	Putz	401/183
3,067,450	12/1962	Mirth	401/201
3,103,682	9/1963	Markle	401/139
3,199,139	8/1965	Vallis	401/22
3,345,669	10/1967	Starry	15/244.1
3,384,438	5/1968	Sherbondy	401/139
3,466,131	9/1969	Arcudi	401/139
3,698,824	10/1972	Lorio	401/205
4,299,005	11/1981	Brown	15/244.2

Primary Examiner—Wallace R. Burke
Assistant Examiner—Lavone D. Tabor
Attorney, Agent, or Firm—Pitts and Brittan

[56] **References Cited**

U.S. PATENT DOCUMENTS

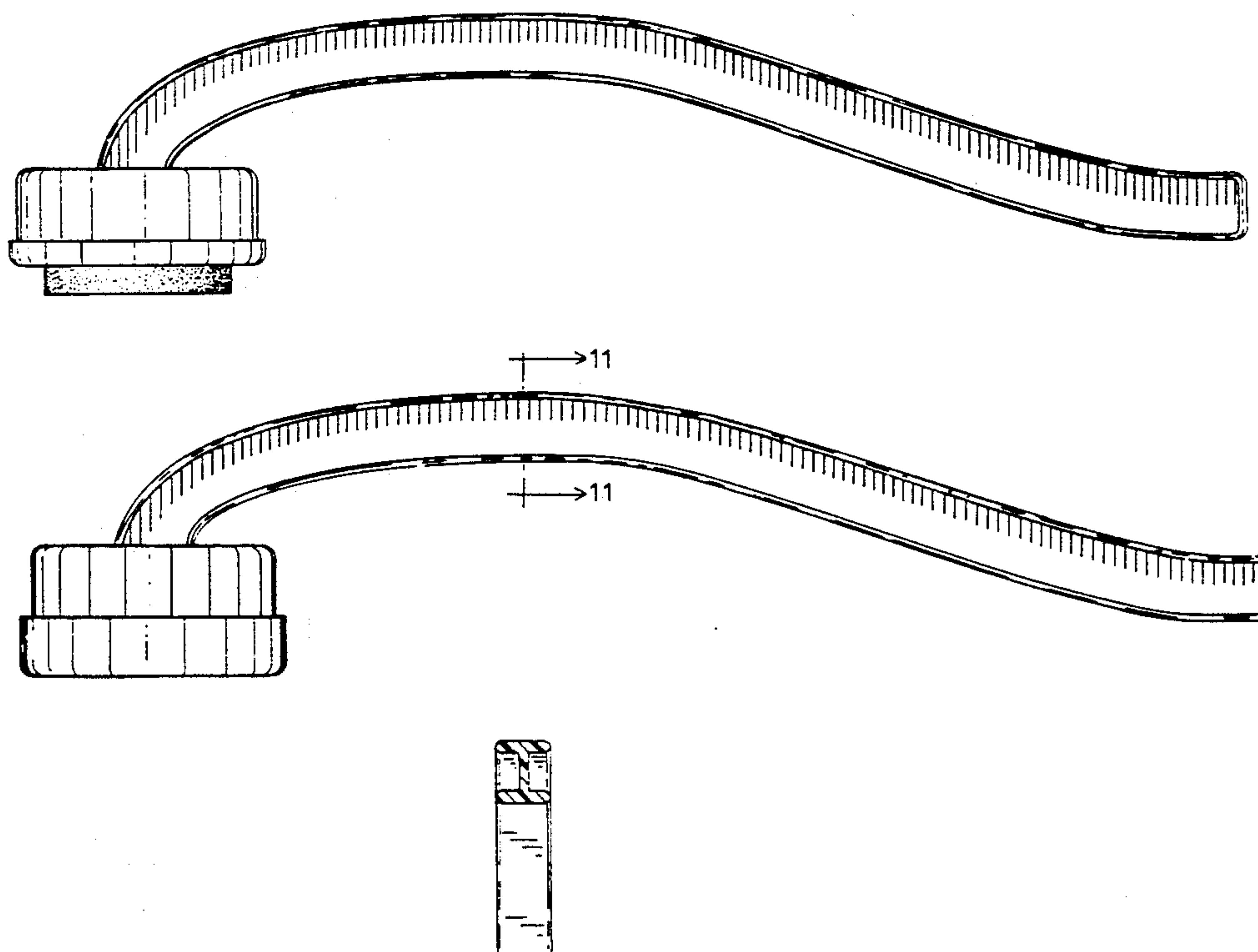
D. 160,415	10/1950	Moser	D28/63
D. 169,115	3/1953	Turner	D32/45
D. 201,866	8/1965	Moore	D4/132
D. 203,658	2/1966	Schoenfield et al.	D32/45
D. 208,530	9/1967	Hoffman	D32/45
D. 250,229	11/1978	Werner	D4/127
D. 252,250	7/1979	Hobbs	D32/45
D. 265,255	6/1982	O'Neil	D28/7
D. 267,827	2/1983	Gross	D32/51
D. 271,624	11/1983	Paulson	D28/7
D. 283,067	3/1986	McLin	D32/45
D. 289,564	4/1987	Harford	D28/7
D. 294,202	2/1988	Adair	D4/114
D. 299,558	1/1989	Robison	D28/7
719,596	2/1903	Lauterbach	15/244.1
2,736,913	3/1956	Mirth	401/143
2,817,105	12/1957	Di Rubbo	401/207

[57] **CLAIM**

The ornamental design for a combined dispensing applicator and cover therefor, as shown and described.

DESCRIPTION

FIG. 1 is a top plan view of a combined dispensing applicator and cover therefor showing my new design, the cover being omitted for clarity of illustration only; FIG. 2 is a bottom plan view thereof; FIG. 3 is a right side elevational view thereof, the left side being a mirror image; FIG. 4 is a front elevational view thereof; FIG. 5 is a rear elevational view thereof; FIG. 6 is a top plan view thereof, shown with the cover in place on the applicator; FIG. 7 is a bottom plan view thereof; FIG. 8 is a right side elevational view thereof, the left side being a mirror image; FIG. 9 is a front elevational view thereof; and FIG. 10 is a rear elevational view thereof; and FIG. 11 is a cross sectional view thereof taken along line 11—11 of FIG. 8.



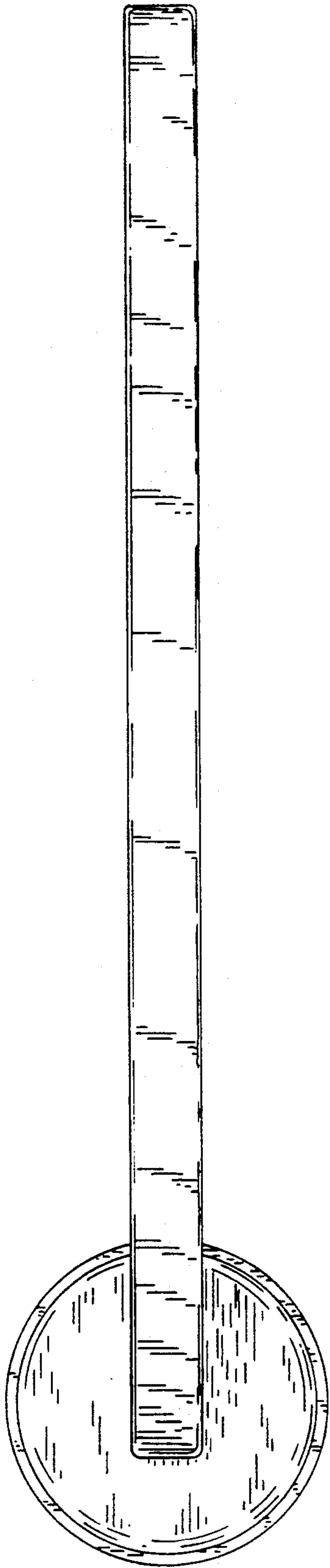


FIG. 1

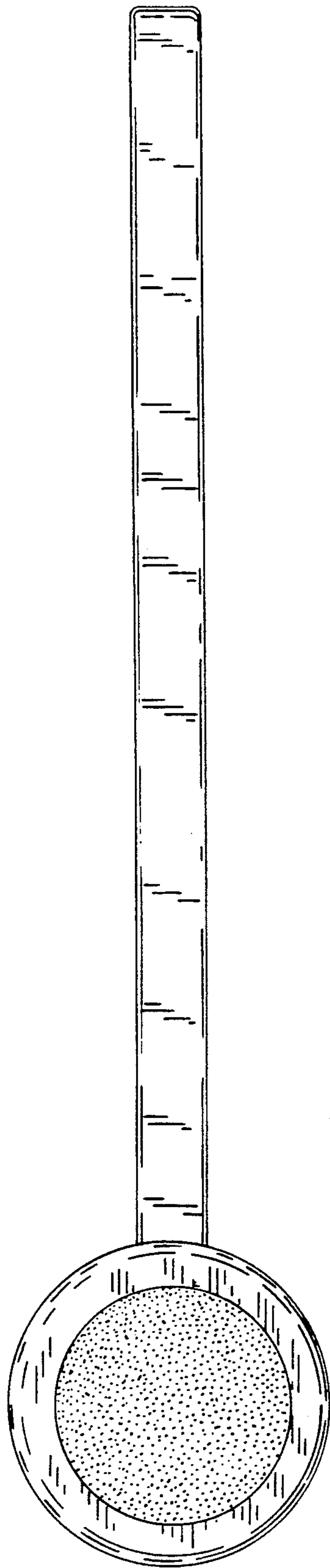


FIG. 2

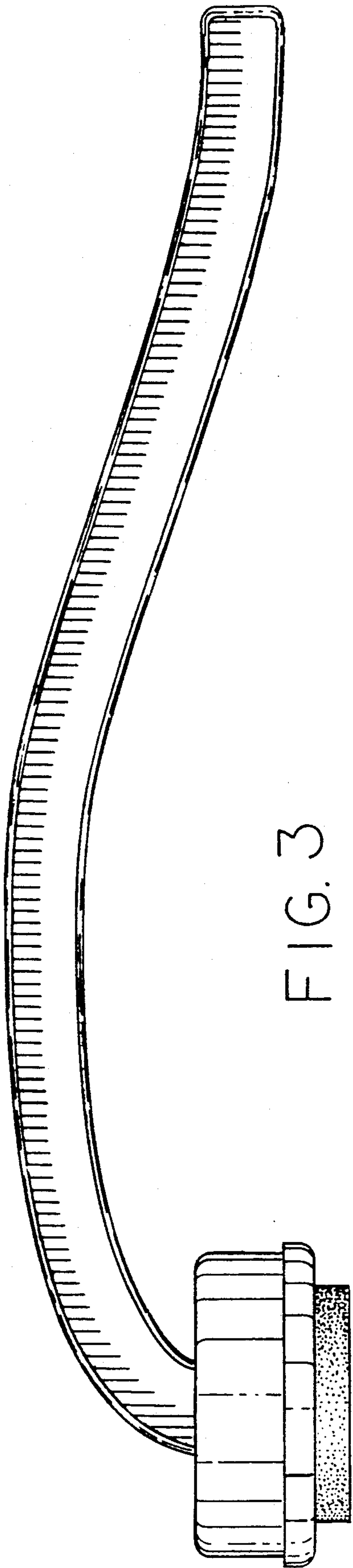


FIG. 3

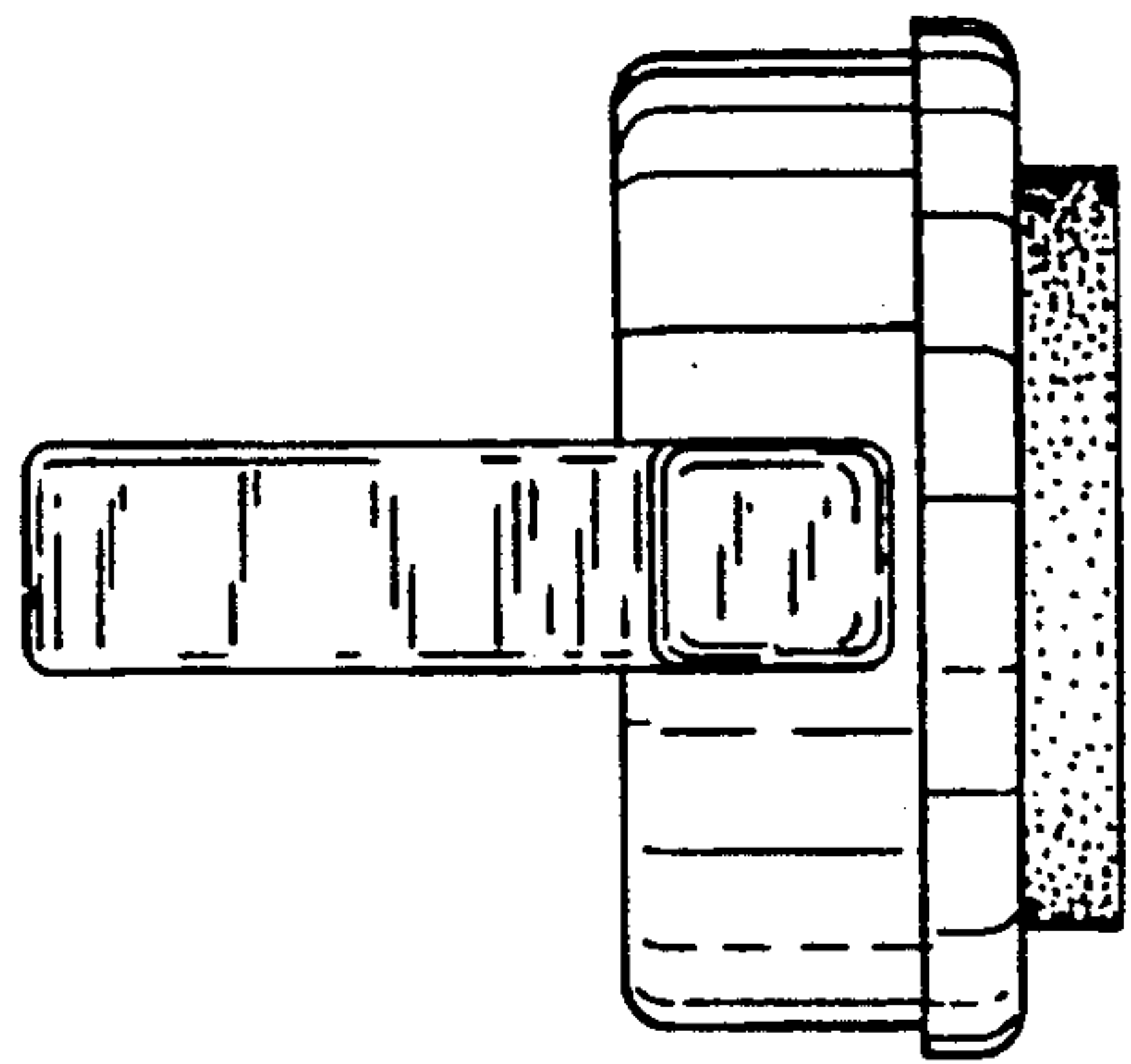


FIG. 5

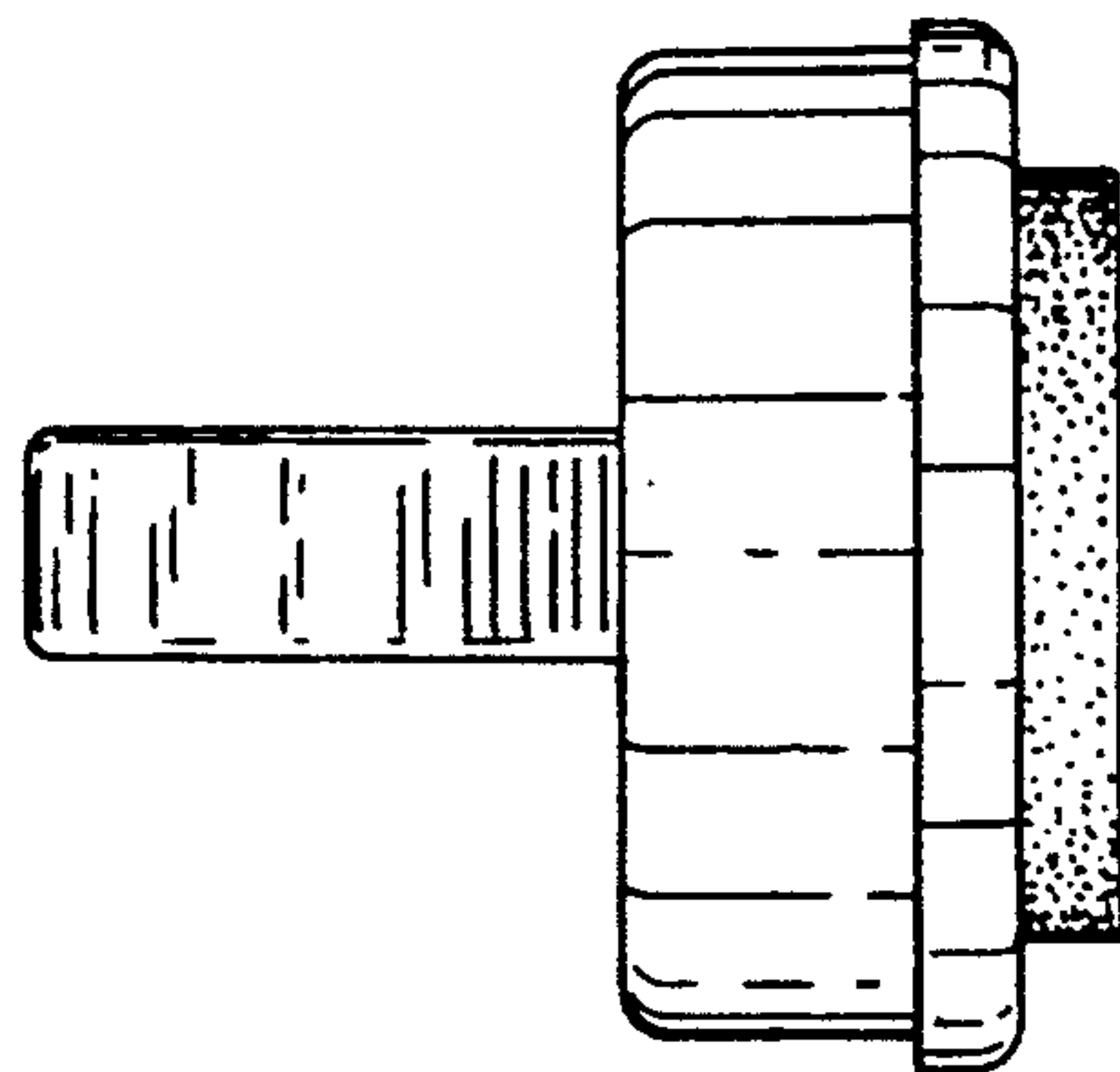


FIG. 4

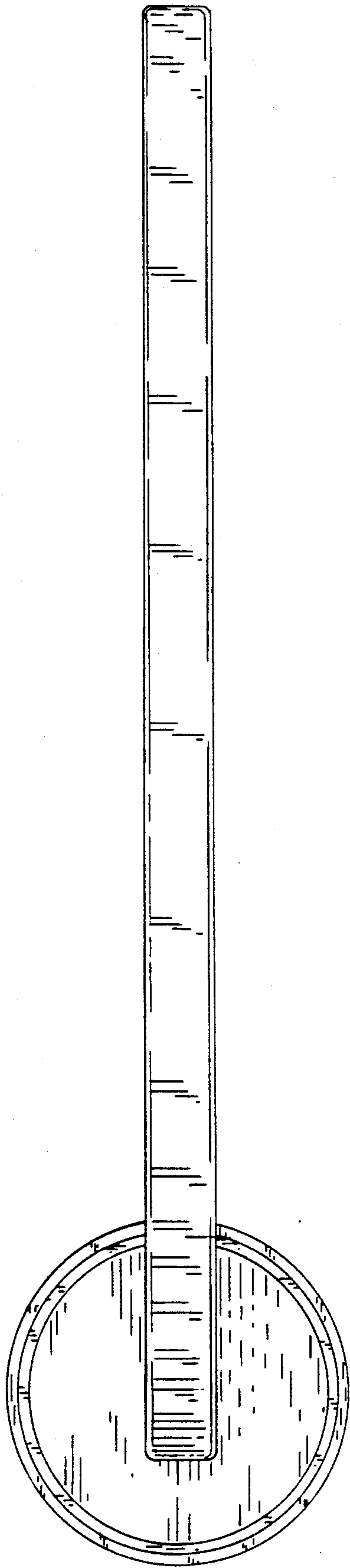


FIG. 6

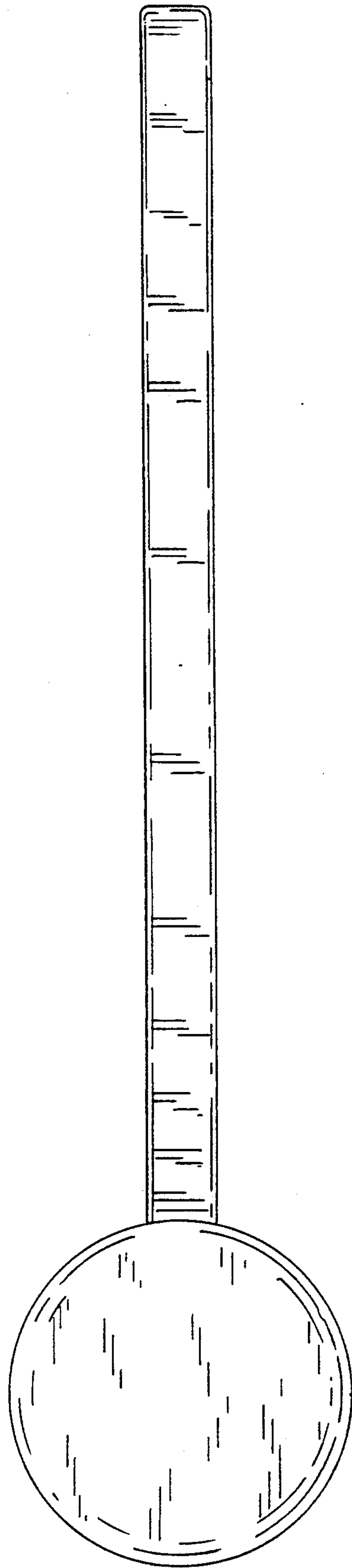


FIG. 7

