



US00D323566S

# United States Patent [19]

[11] Patent Number: **Des. 323,566**

Woodgate

[45] Date of Patent: **\*\* Jan. 28, 1992**

## [54] ADJUSTABLE TRACK LIGHTING FIXTURE

[75] Inventor: **Terence A. Woodgate**, London, England

[73] Assignee: **GTE Rotaflex Limited**, London, England

[\*\*] Term: **14 Years**

[21] Appl. No.: **438,223**

[22] Filed: **Nov. 20, 1989**

[52] U.S. Cl. .... **D26/63**

[58] Field of Search ..... **D26/24, 60-66; 362/362, 147, 267, 275, 285, 418, 419, 427**

### [56] References Cited

#### U.S. PATENT DOCUMENTS

D. 209,076	10/1967	Ortega	.....	D26/63
D. 277,511	2/1985	Patel	.....	D26/63 X
D. 300,668	4/1989	Monfort	.....	D26/63
D. 315,610	3/1991	Joosten et al.	.....	D26/63
4,780,799	10/1988	Groh	.....	362/294

### OTHER PUBLICATIONS

Domus, 10-1988, p. 50-Ads, halogen lamp.

*Primary Examiner*—Susan J. Lucas

*Attorney, Agent, or Firm*—Watson, Cole, Grindle & Watson

### [57] CLAIM

The ornamental design for an adjustable track lighting fixture, as shown and described.

### DESCRIPTION

FIG. 1 is a front perspective view of an adjustable track lighting fixture showing my new design;

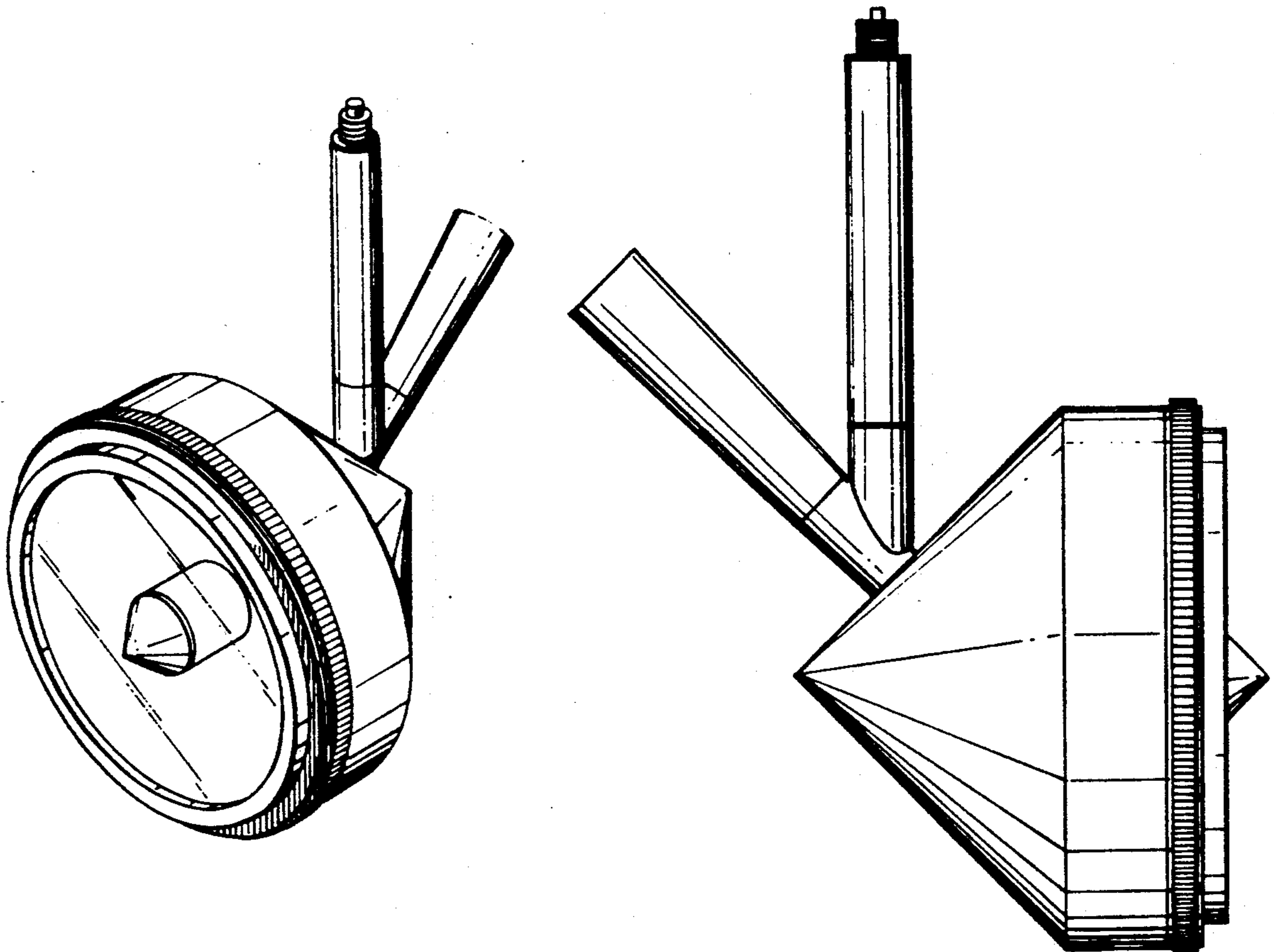
FIG. 2 is a side elevational view thereof on an enlarged scale, the opposite side being a mirror image;

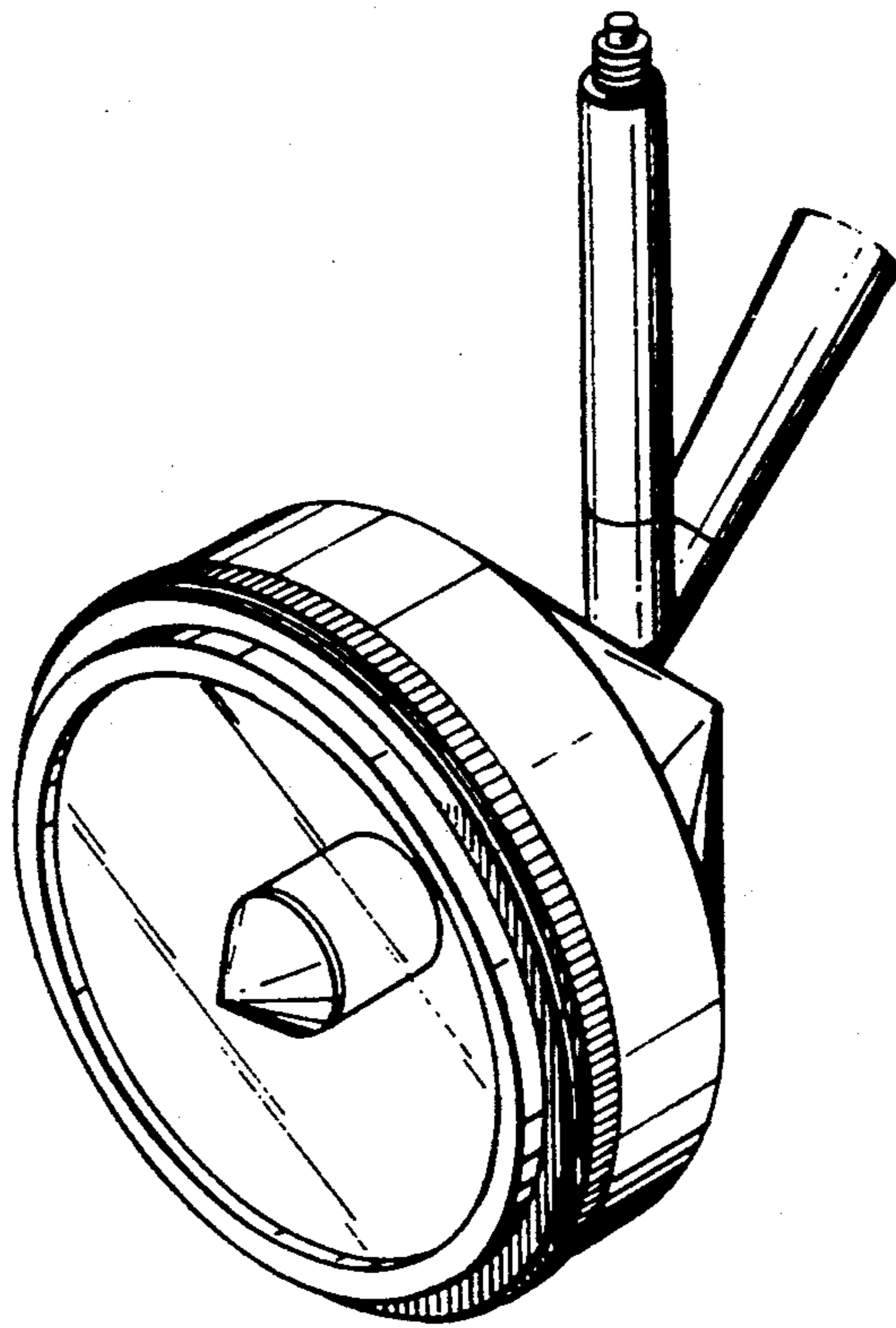
FIG. 3 is a front elevational view thereof on an enlarged scale;

FIG. 4 is a rear elevational view thereof on an enlarged scale;

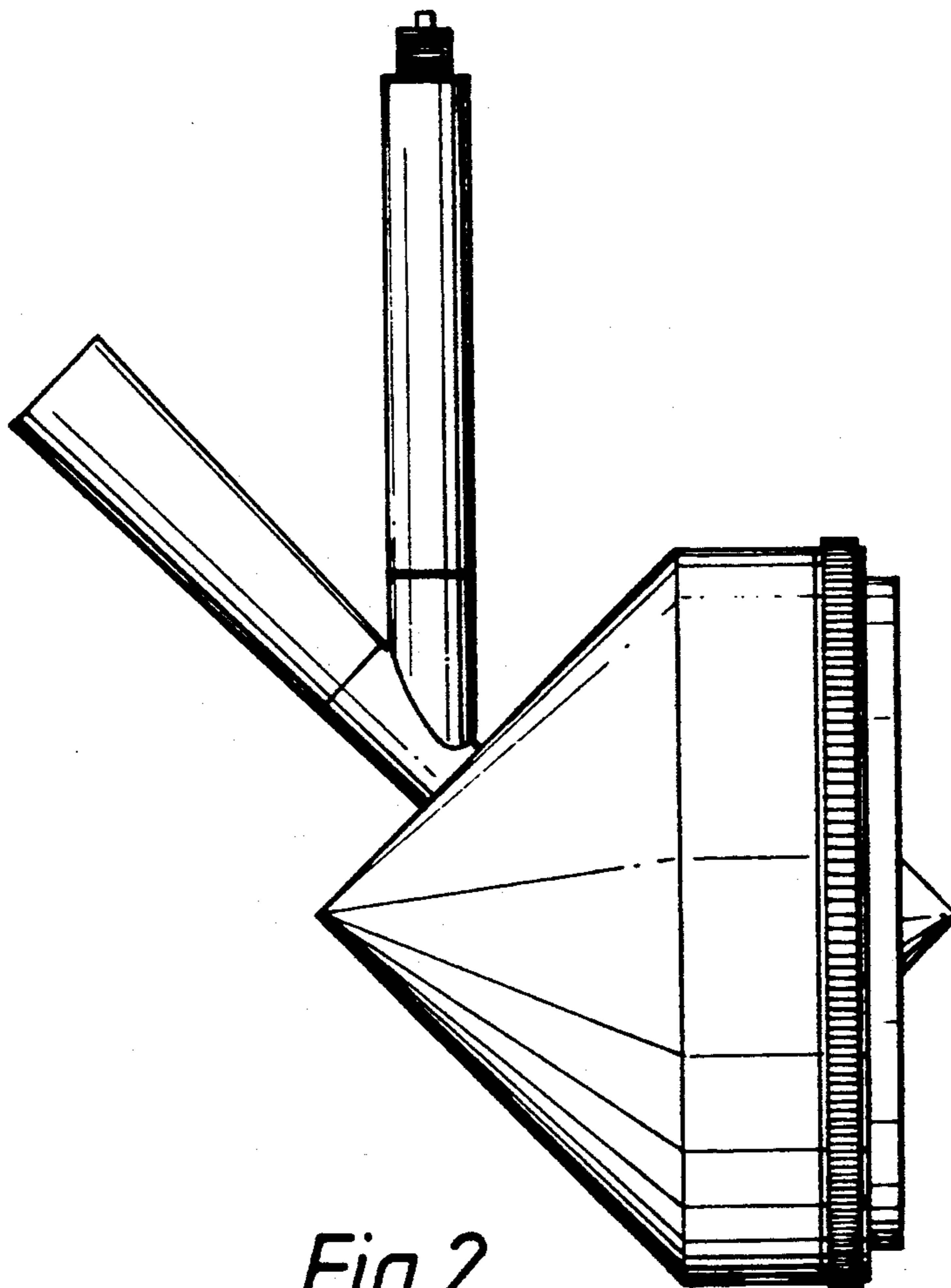
FIG. 5 is a top plan view thereof on an enlarged scale, and

FIG. 6 is a bottom plan view thereof on an enlarged scale.

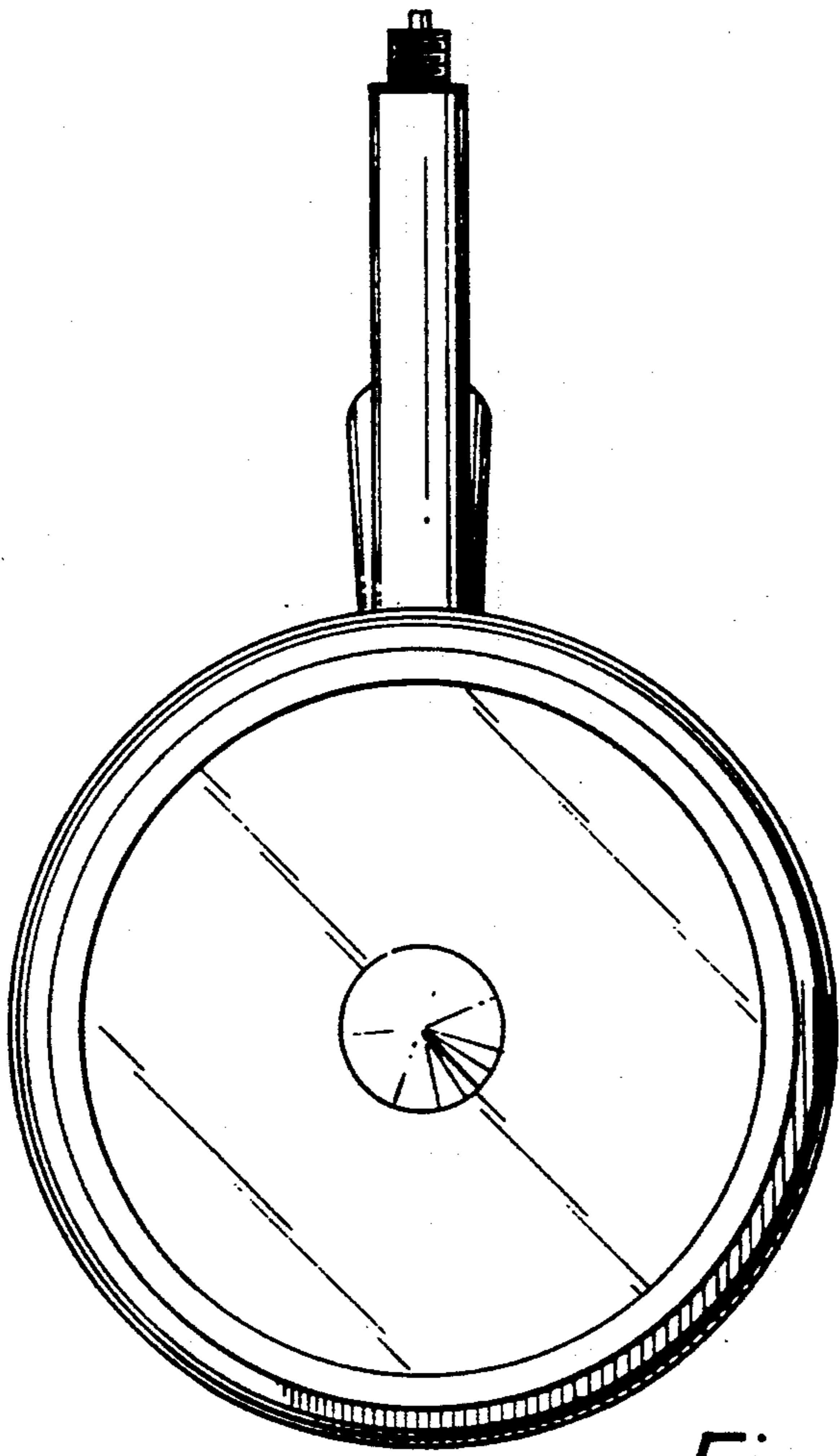




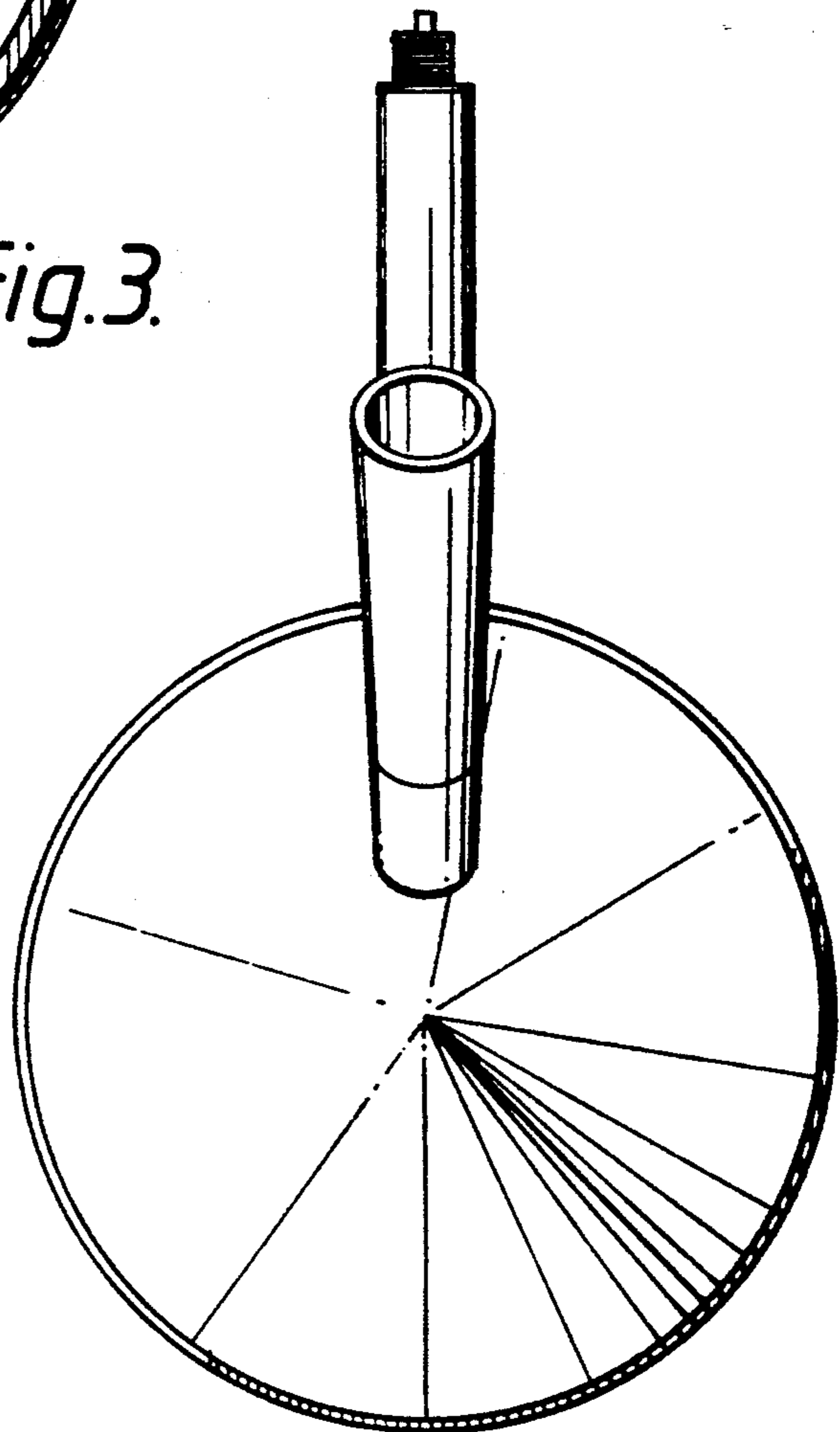
*Fig. 1.*



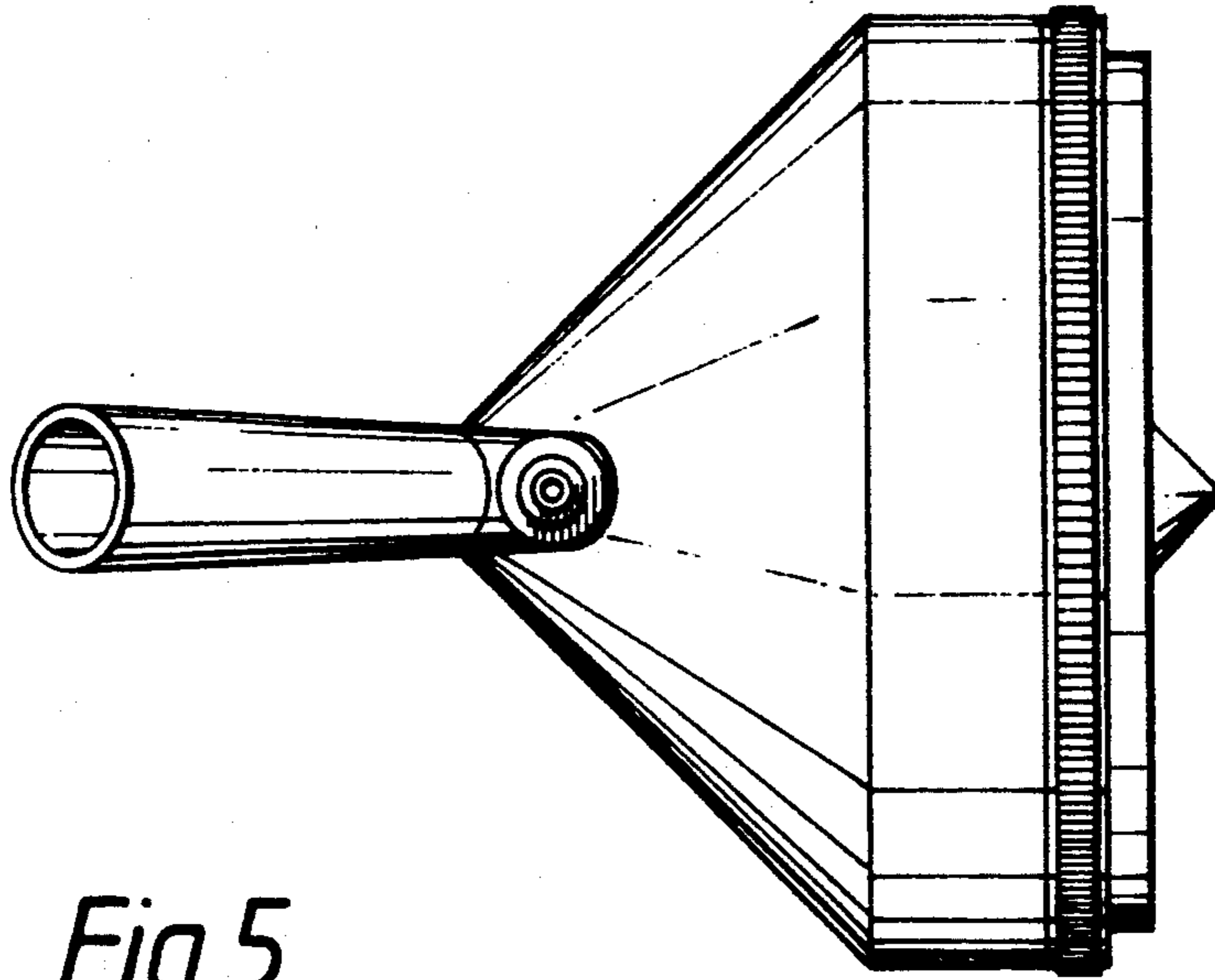
*Fig. 2.*



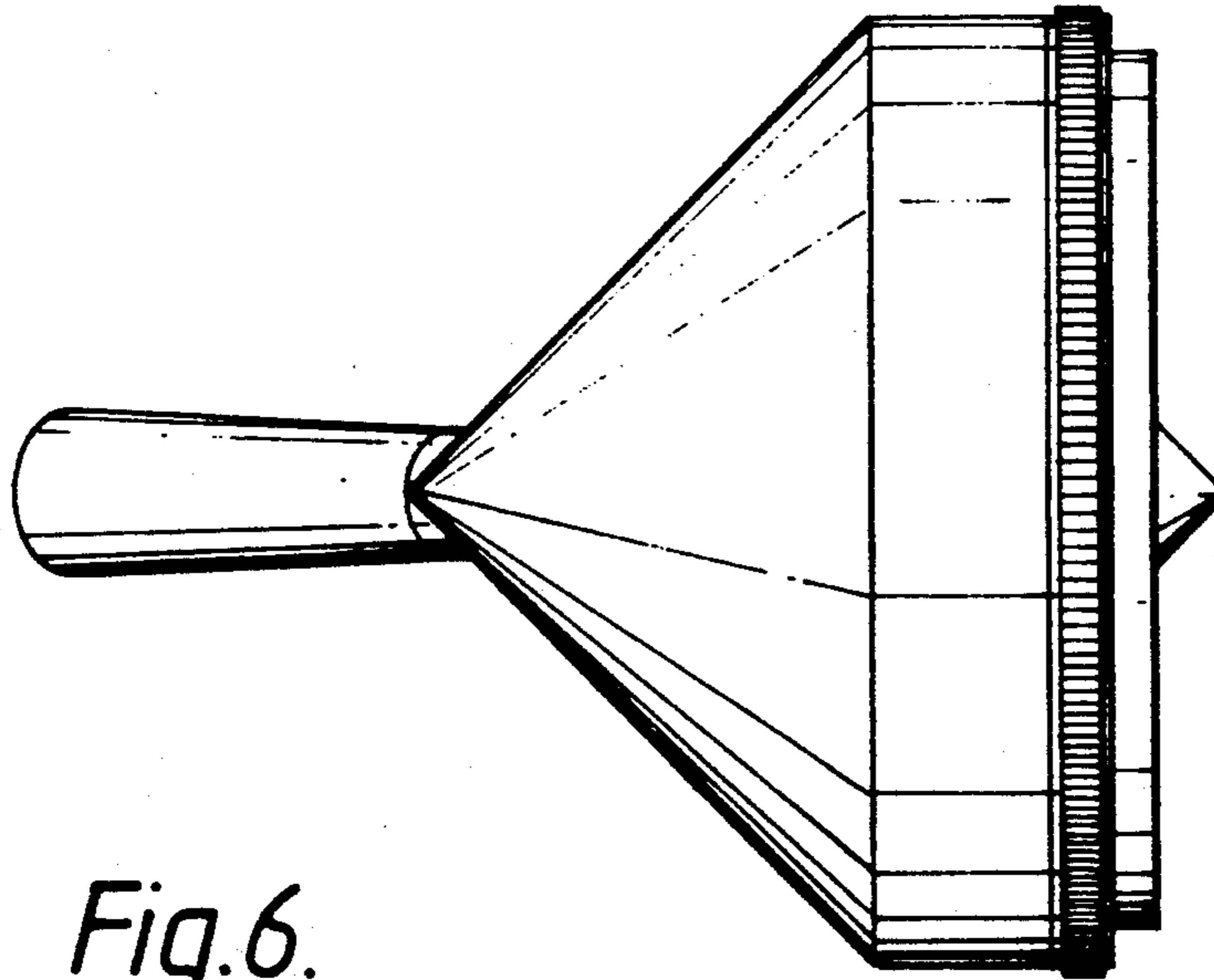
*Fig.3.*



*Fig.4.*



*Fig.5.*



*Fig.6.*