



US00D323565S

United States Patent [19]
Woodgate

[11] **Patent Number: Des. 323,565**
[45] **Date of Patent: ** Jan. 28, 1992**

[54] **ADJUSTABLE TRACK LIGHTING FIXTURE**

[75] **Inventor: Terence A. Woodgate, London, England**

[73] **Assignee: GTE Rotaflex Limited, London, England**

[**] **Term: 14 Years**

[21] **Appl. No.: 438,222**

[22] **Filed: Nov. 20, 1989**

[52] **U.S. Cl. D26/63**

[58] **Field of Search D26/24, 60-66; 362/418, 419, 427, 267, 275, 285, 362, 147**

[56] **References Cited**

U.S. PATENT DOCUMENTS

D. 209,076	10/1967	Ortega	D26/63
D. 277,511	2/1985	Patel	D26/63 X
D. 300,668	4/1989	Monfort	D26/63
D. 315,610	3/1991	Joosten et al.	D26/63
4,780,799	10/1988	Groh	362/294

OTHER PUBLICATIONS

Domus, 10-1988, p. 50-Ads, halogen lamp.

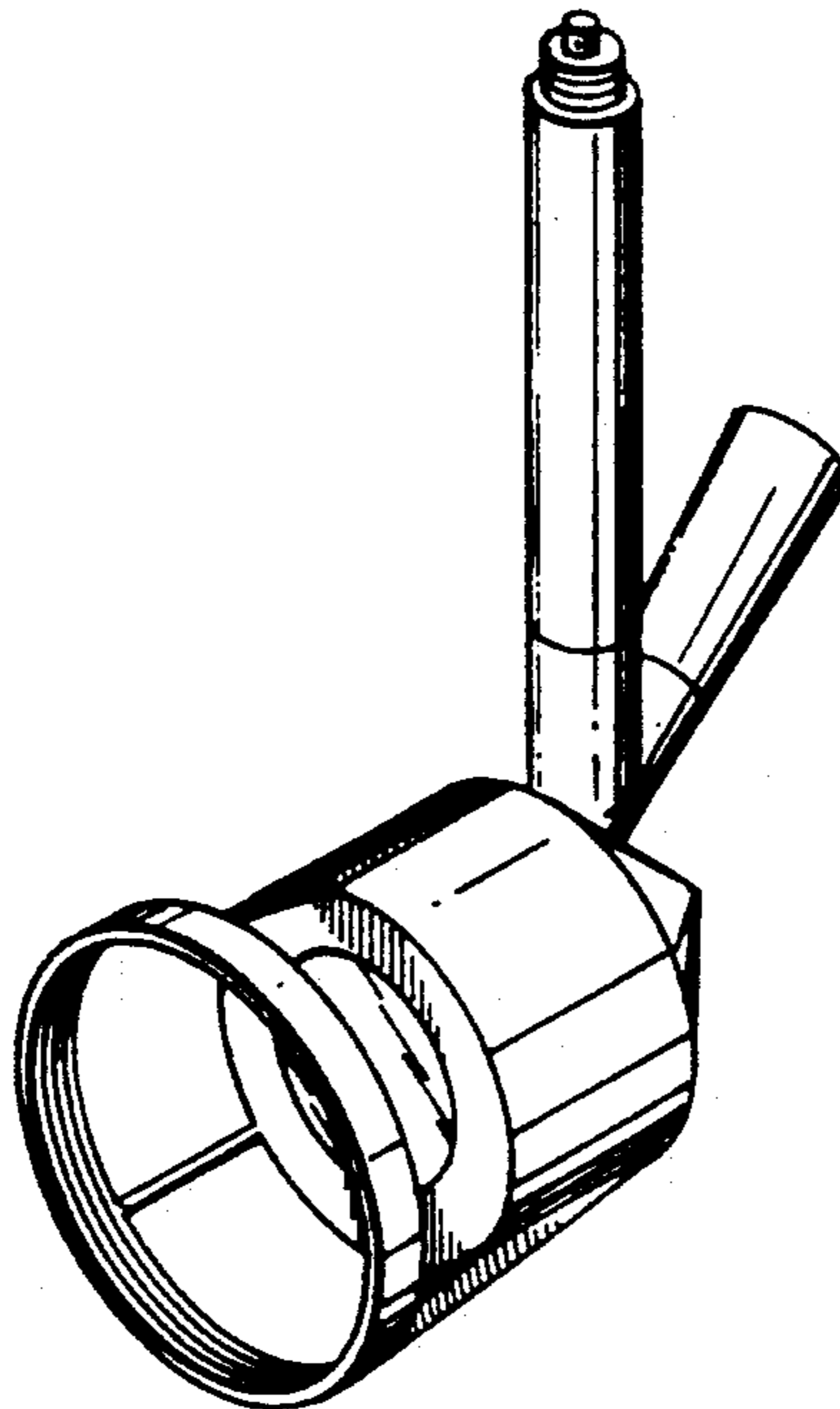
Primary Examiner—Susan J. Lucas
Attorney, Agent, or Firm—Watson, Cole, Grindle & Watson

[57] **CLAIM**

The ornamental design for an adjustable track lighting fixture, as shown and described.

DESCRIPTION

FIG. 1 is a front perspective view of an adjustable track lighting fixture showing my new design;
FIG. 2 is a front elevational view thereof on an enlarged scale;
FIG. 3 is a rear elevational view thereof on an enlarged scale;
FIG. 4 is a side elevational view thereof on an enlarged scale, the opposite side being a mirror image;
FIG. 5 is a top plan view thereof on an enlarged scale; and
FIG. 6 is a bottom plan view thereof on an enlarged scale.



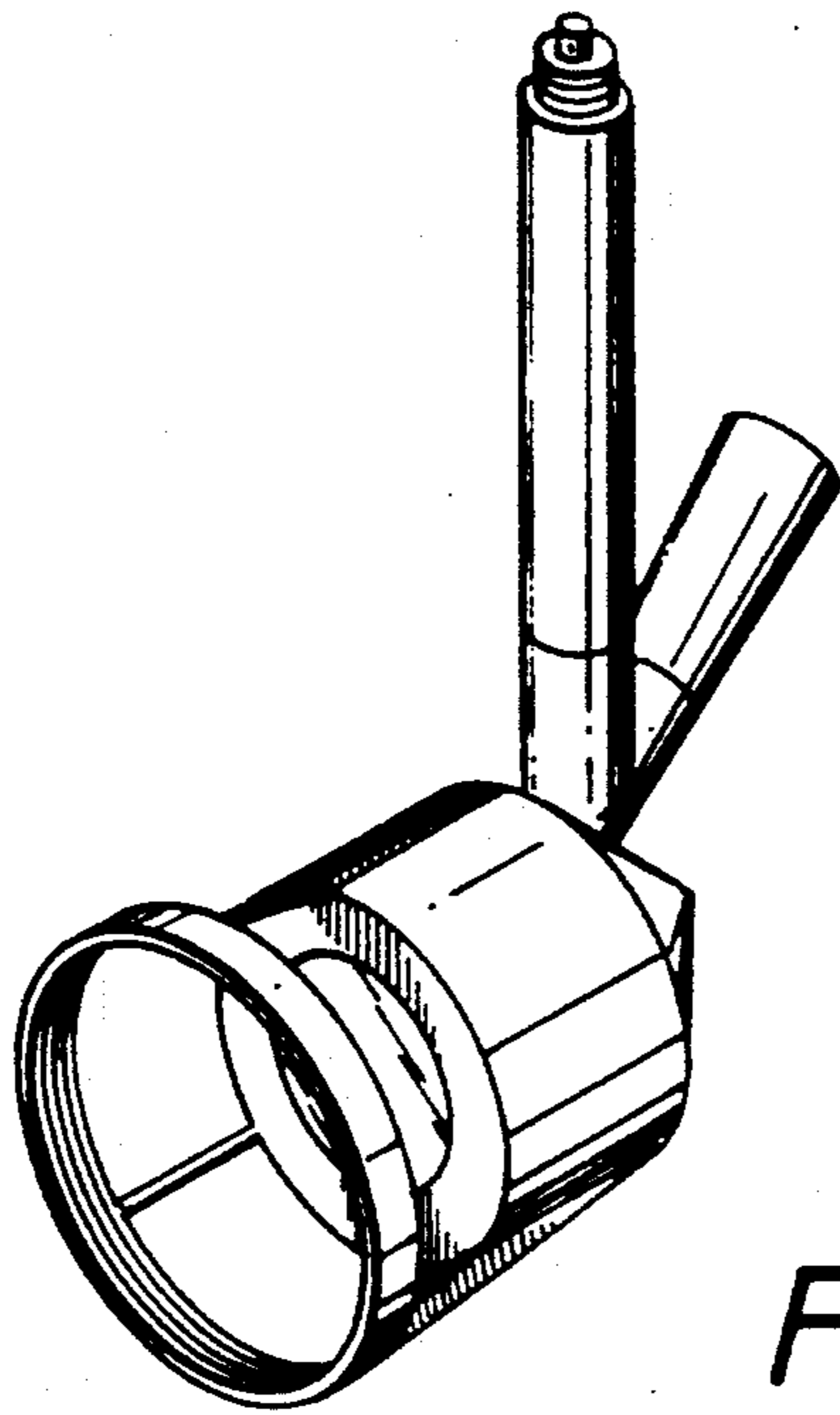


Fig. 1.

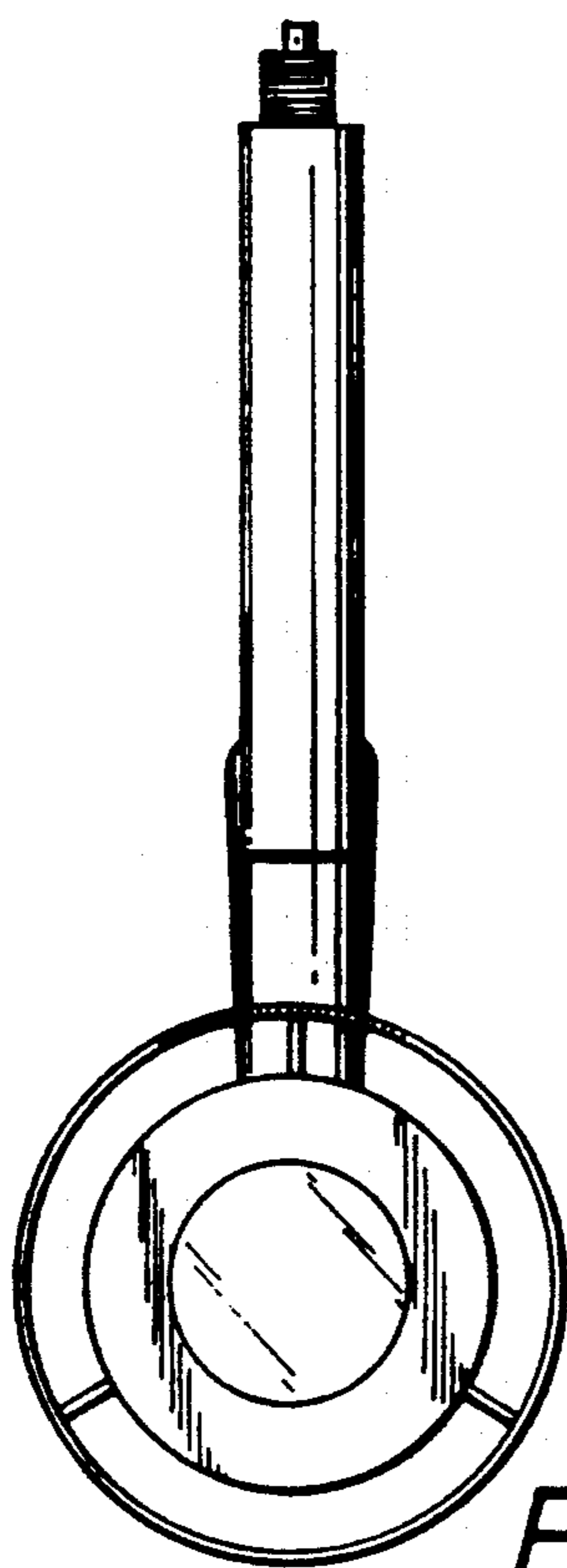


Fig. 2.

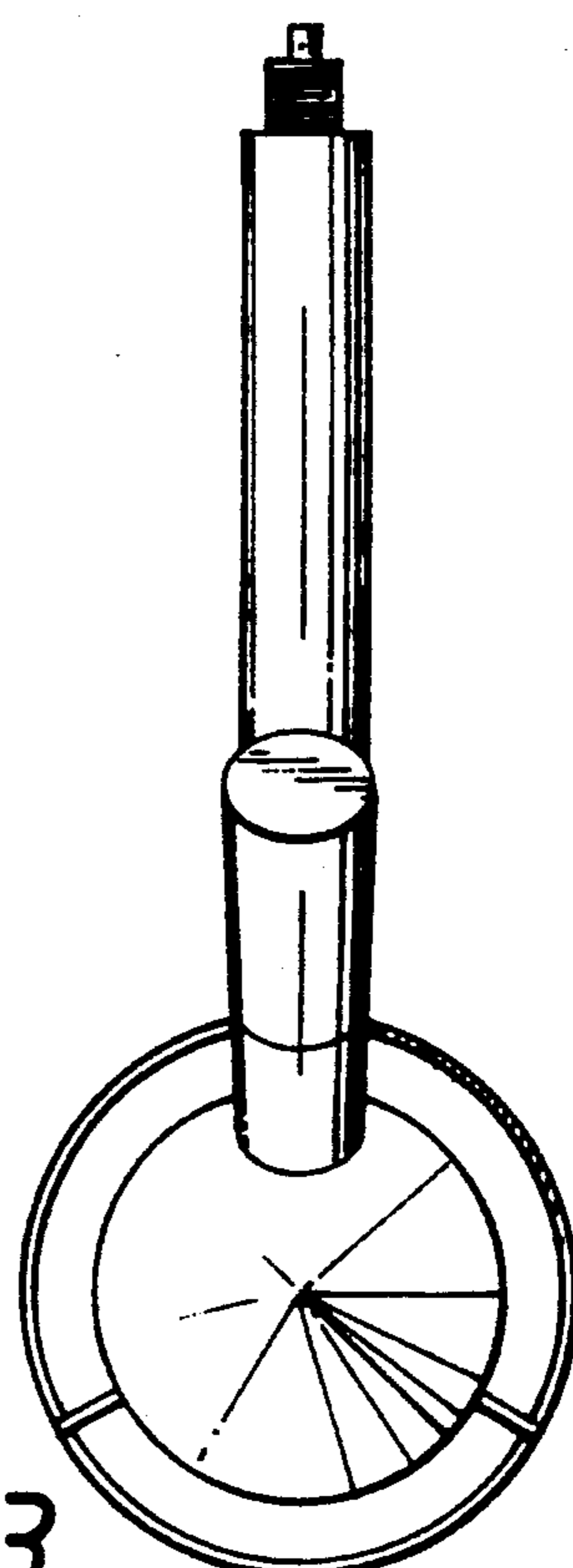


Fig. 3.

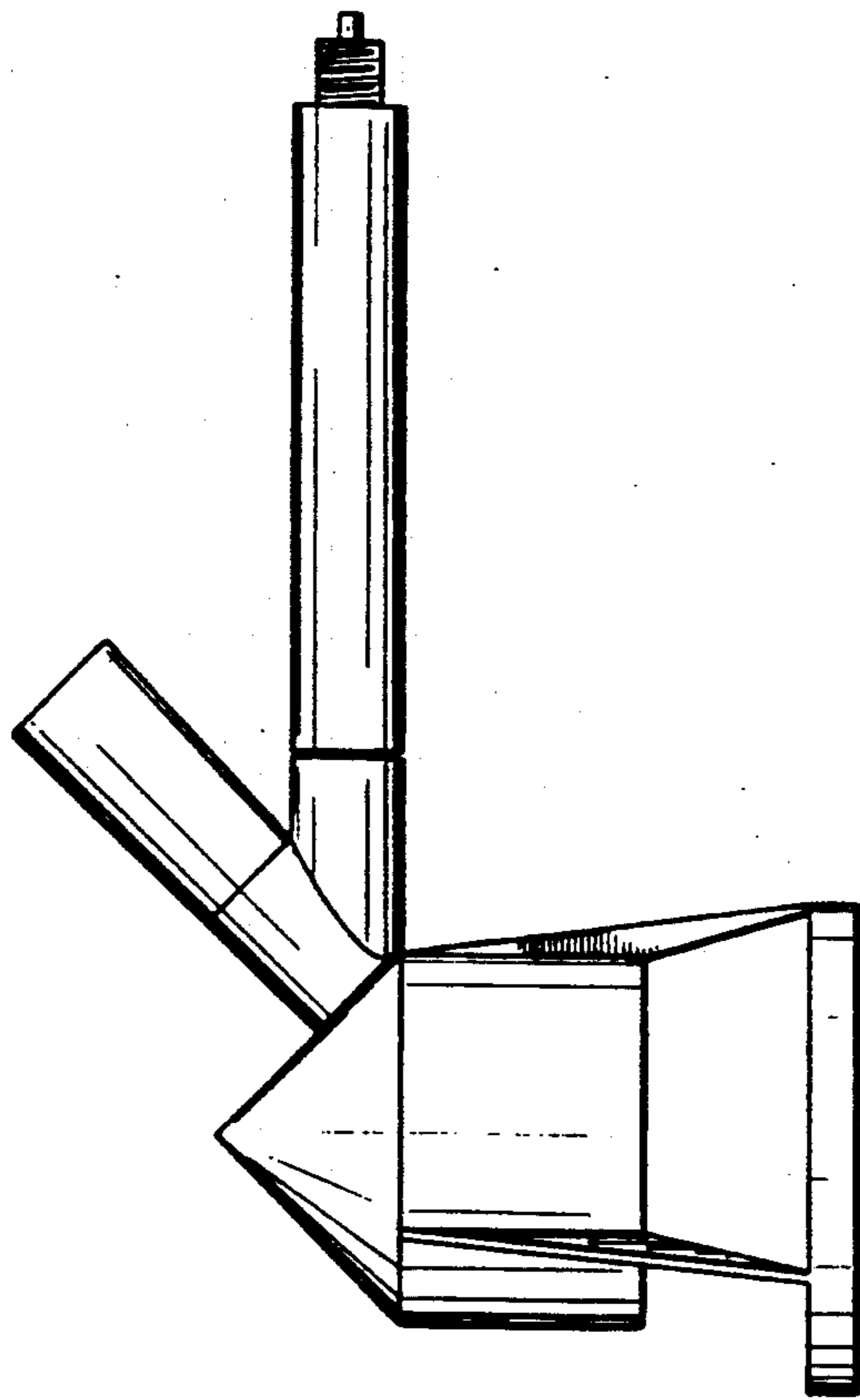


Fig. 4.

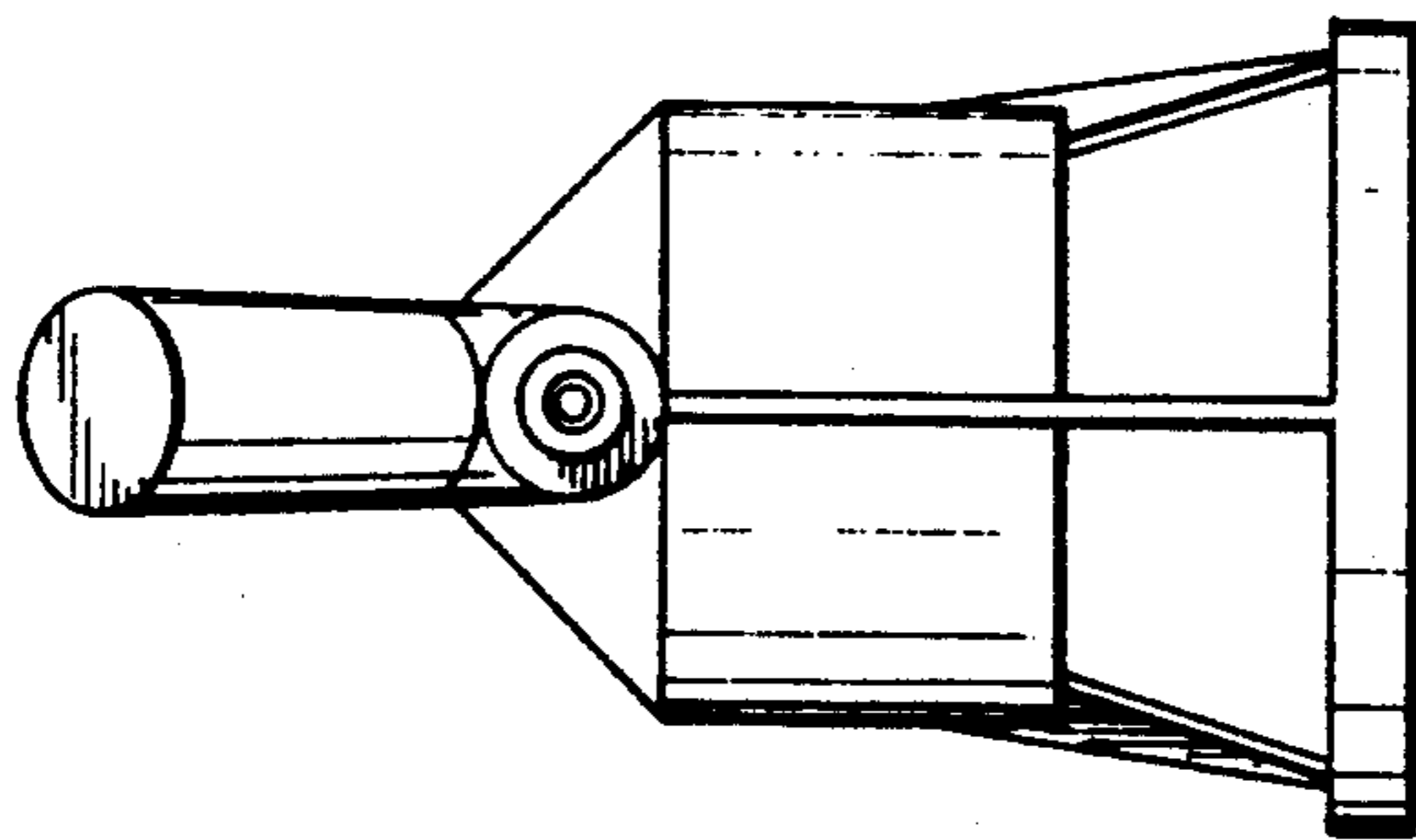


Fig. 5.

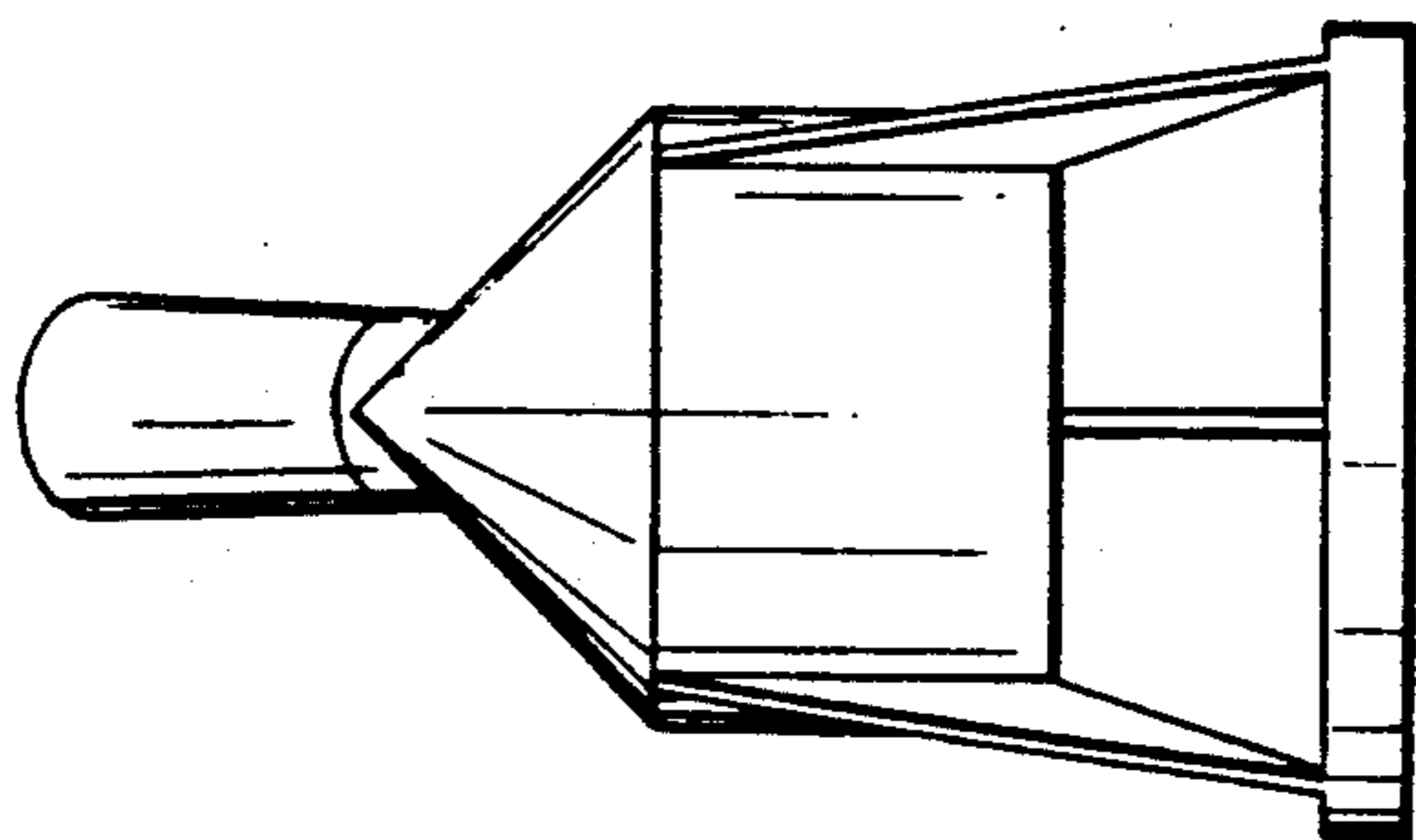


Fig. 6.