



US00D323560S

United States Patent [19]

[11] Patent Number: **Des. 323,560**

Boyce et al.

[45] Date of Patent: **** Jan. 28, 1992**

[54] **COMBINED TABLE AND TRAY FOR HOLDING ANESTHESIA AND OPERATING INSTRUMENTS**

D. 313,276	12/1990	McHugh	D24/227
937,480	10/1909	Smith et al.	248/287
4,266,669	5/1981	Watson	269/322 X
4,445,859	5/1984	Hoffmeister et al.	433/79
4,557,453	12/1985	McCloskey	248/287

[76] Inventors: **James R. Boyce**, 619 S. 19th St., Birmingham, Ala. 35233; **Johnny E. Tucker**, Highland Dr., Elba, Ala. 36323

Primary Examiner—Stella Reid
Attorney, Agent, or Firm—Wm. Randall May

[**] Term: **14 Years**

[57] **CLAIM**

[21] Appl. No.: **358,841**

The ornamental design for a combined table and tray for holding anesthesia and operating instruments, as shown.

[22] Filed: **May 22, 1989**

DESCRIPTION

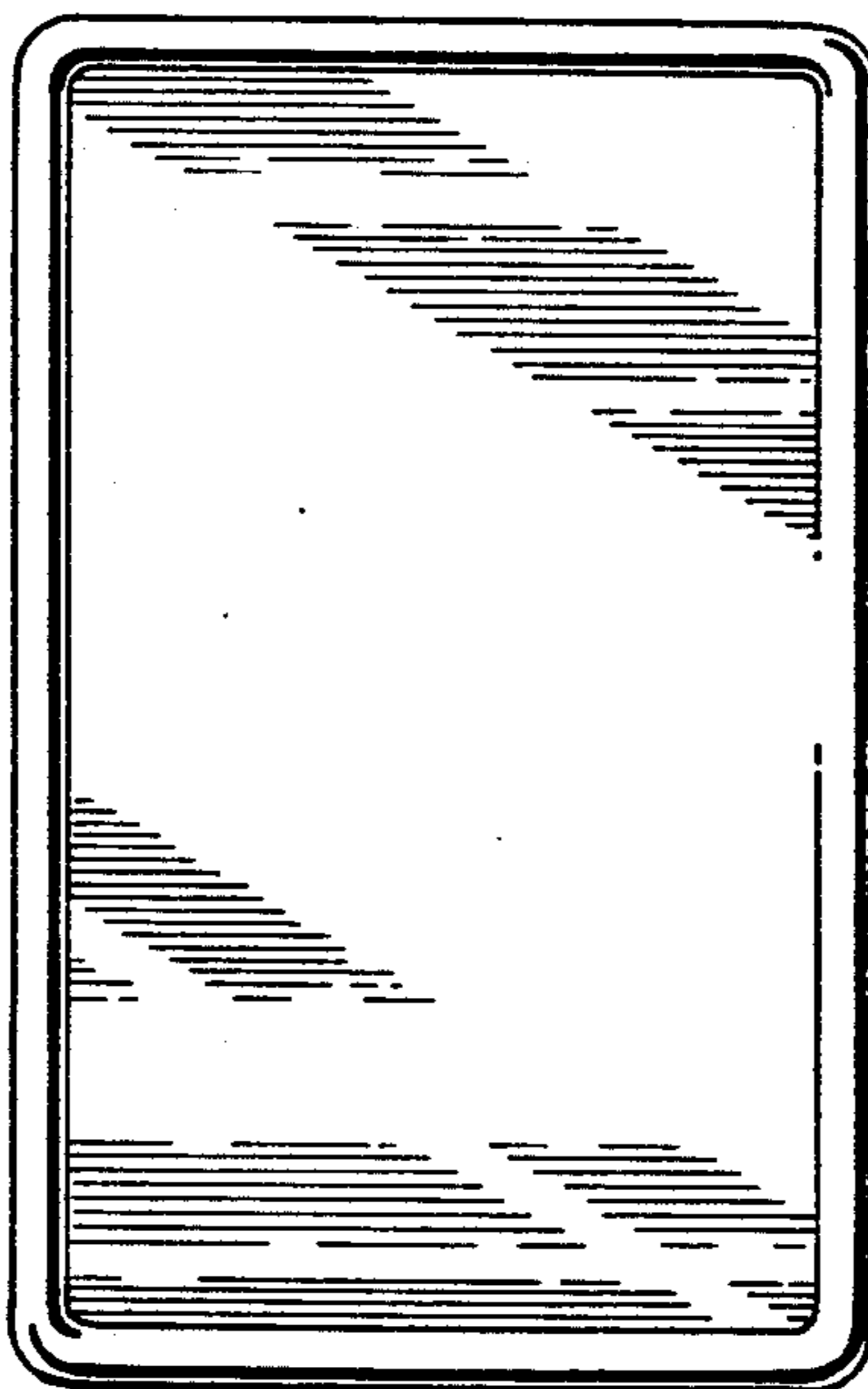
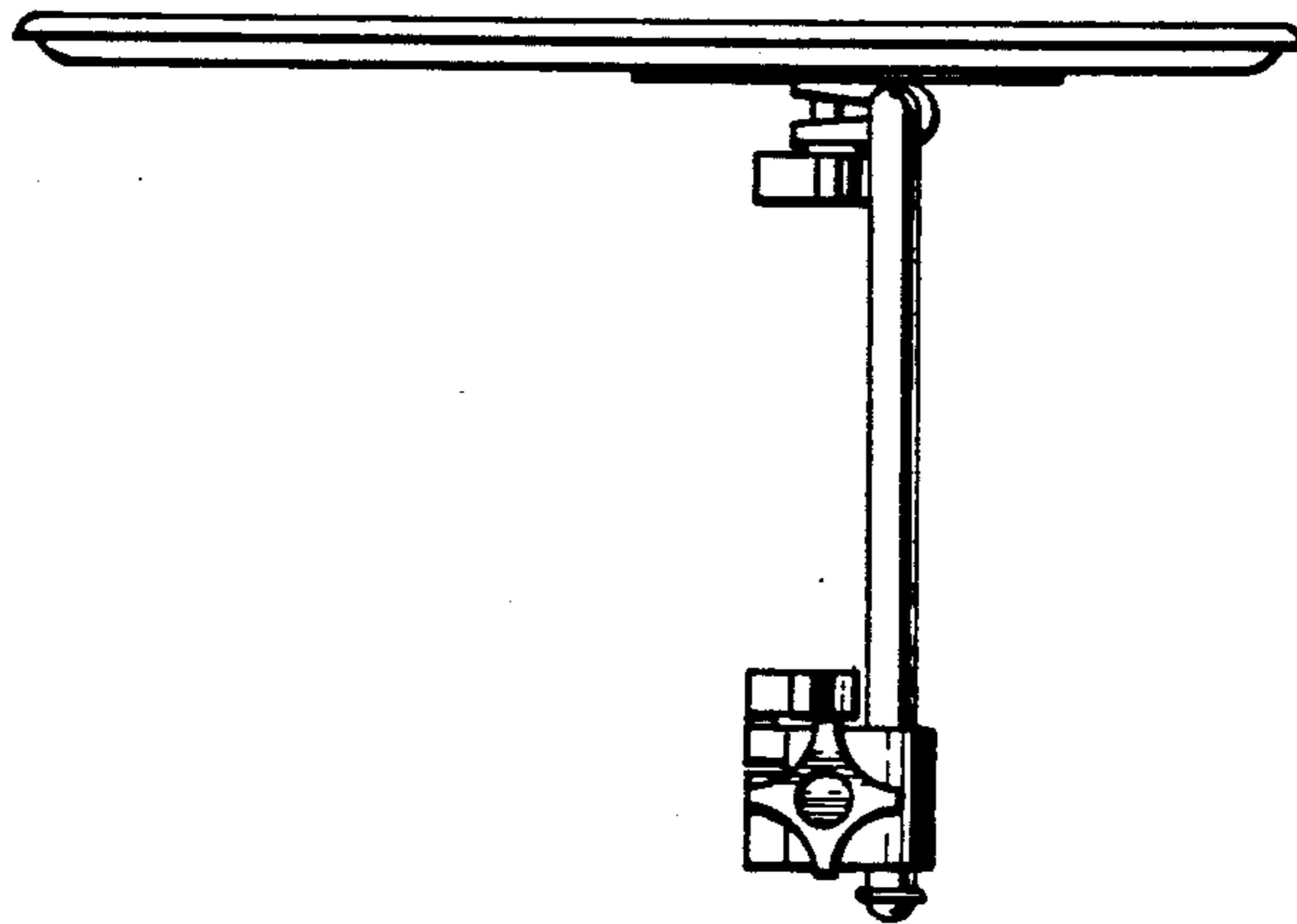
[52] U.S. Cl. **D24/184; D24/183**
[58] Field of Search **D24/183, 184, 185, 227; 269/322, 328; 433/79; 248/287, 283, 282, 278, 291, 296, 454; D12/133**

FIG. 1 is a right side elevational view of a combined table and tray for holding anesthesia and operating instruments, showing our new design;
FIG. 2 is a left side elevational view thereof;
FIG. 3 is a front elevational view thereof;
FIG. 4 is a rear elevational view thereof;
FIG. 5 is a top plan view thereof; and
FIG. 6 is a bottom plan view thereof.

[56] **References Cited**

U.S. PATENT DOCUMENTS

D. 303,191	9/1989	Schwartz	D24/185
D. 304,759	11/1989	McCloskey	D24/184



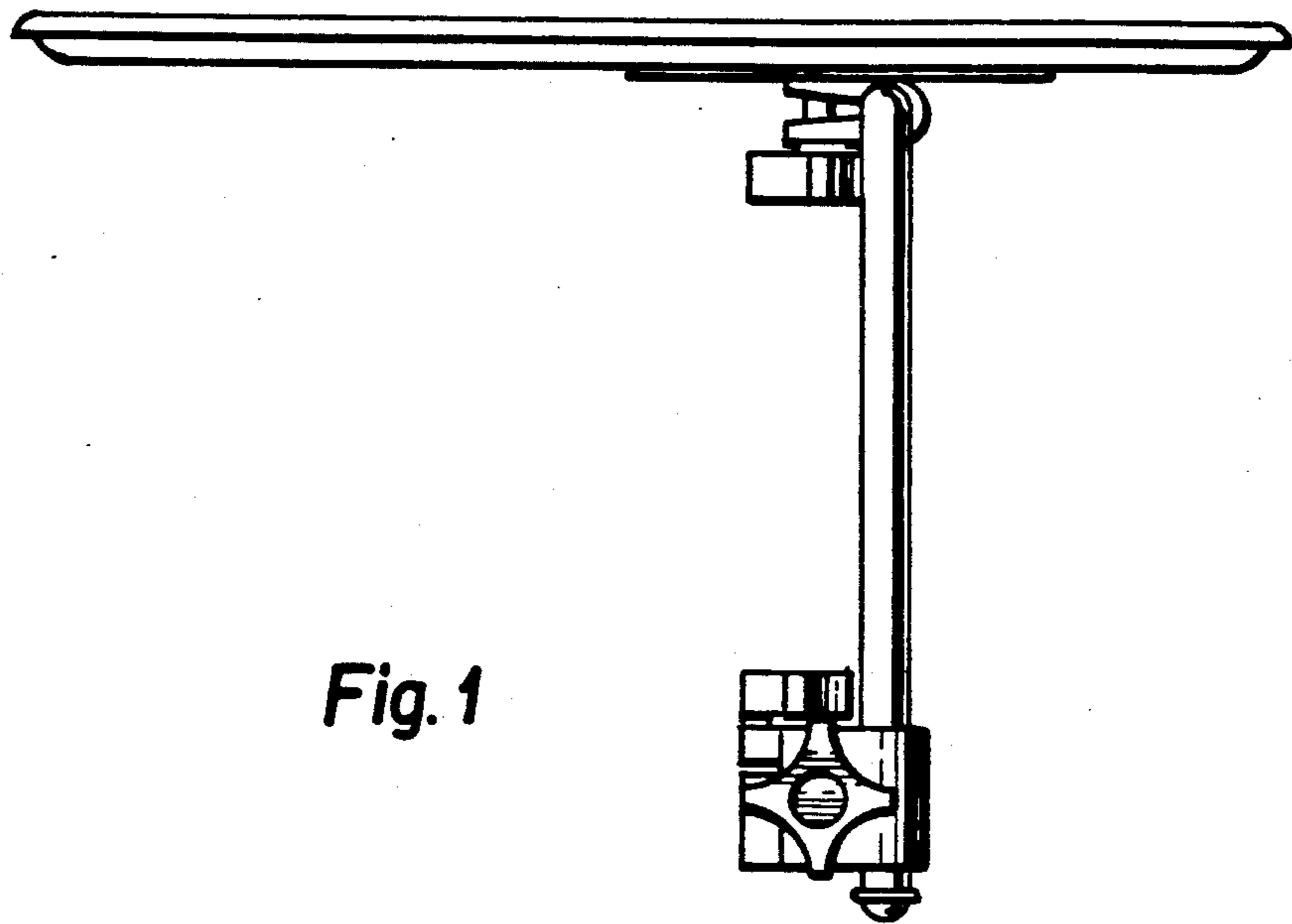


Fig. 1

Fig. 5

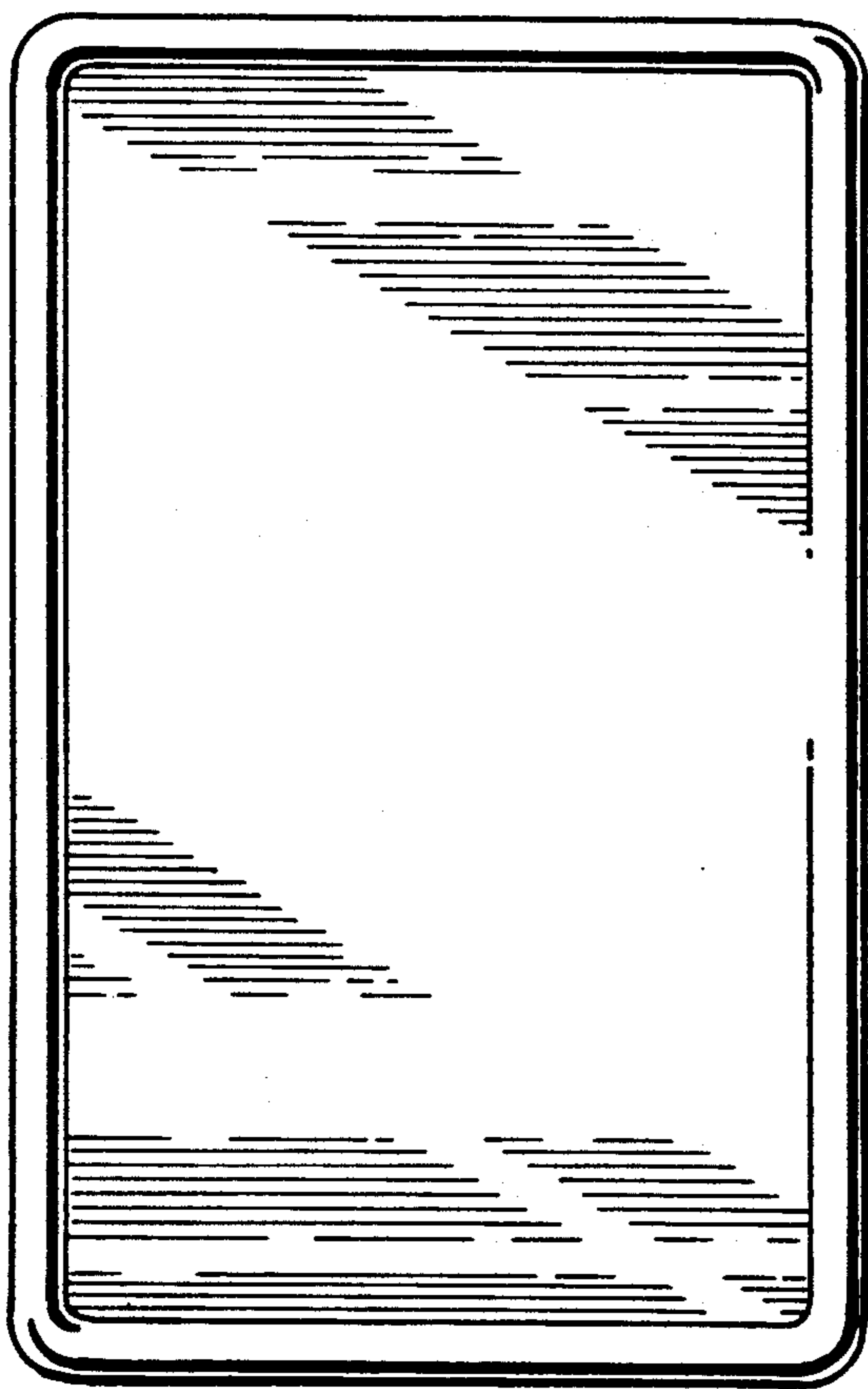
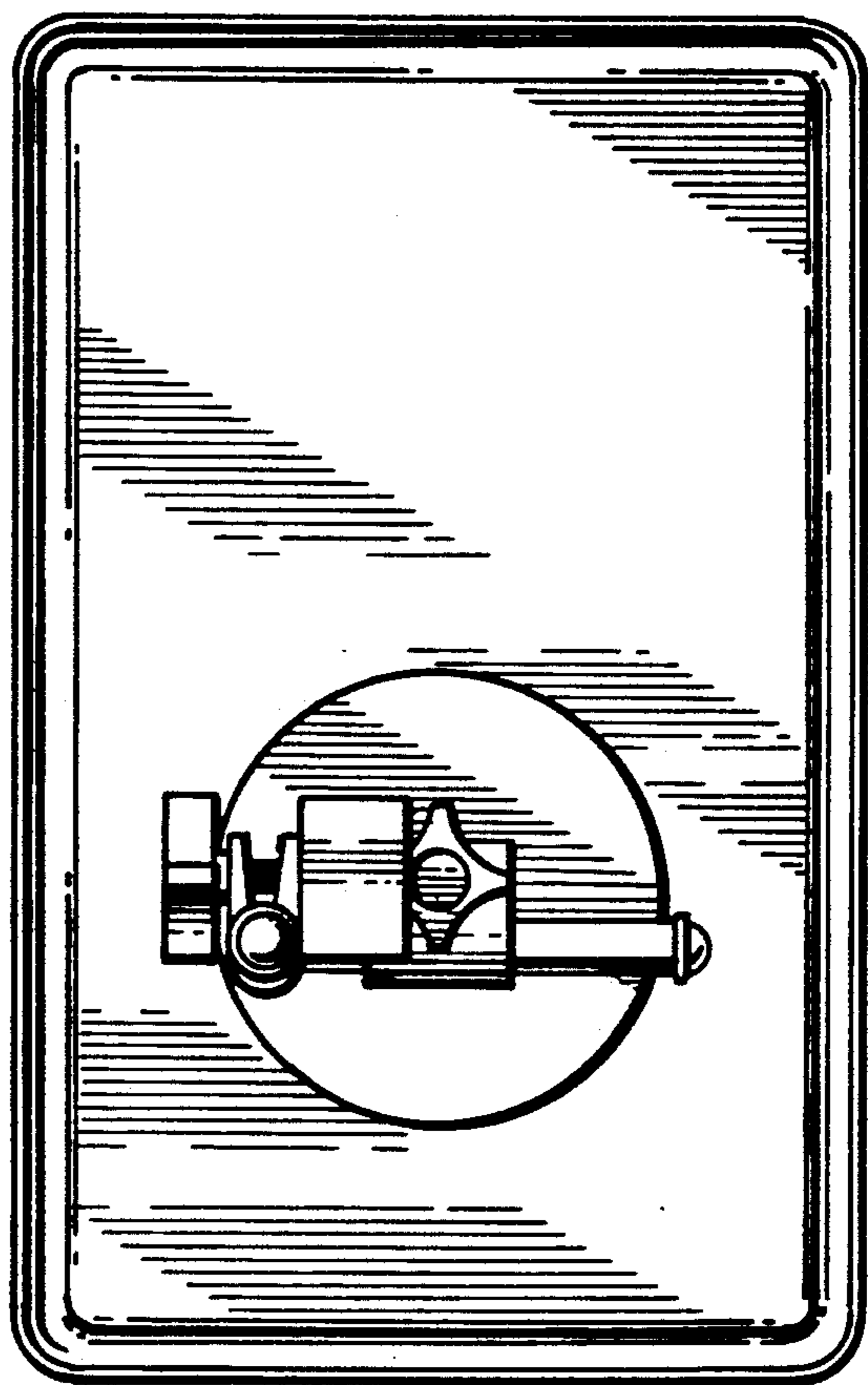


Fig. 6



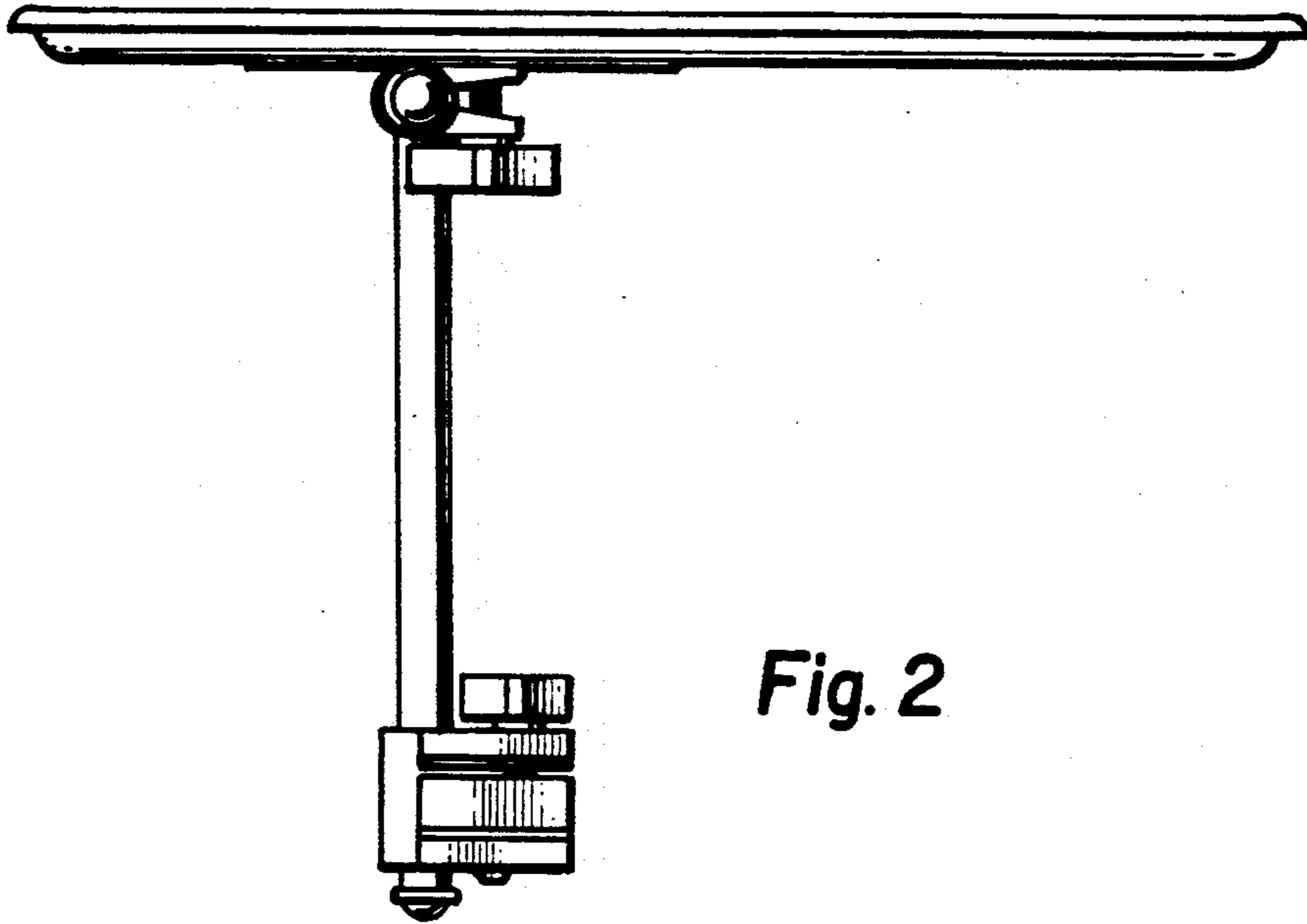


Fig. 2

Fig. 3

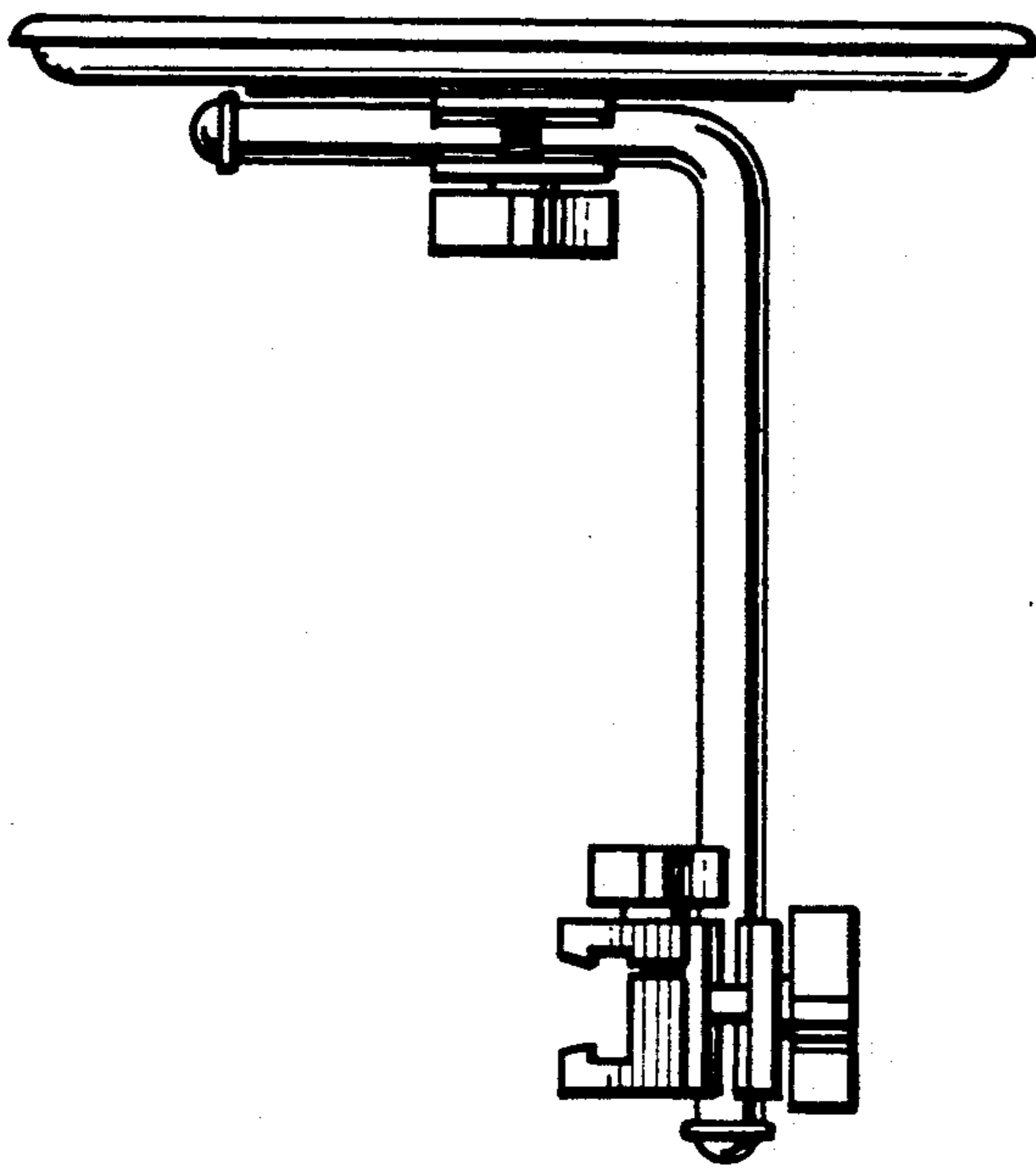


Fig. 4

