



US00D323559S

United States Patent [19]

[11] Patent Number: **Des. 323,559**

Shafer

[45] Date of Patent: **** Jan. 28, 1992**

[54] **DENTAL RELINE JIG DENTURES**

4,330,275 5/1982 Gama 433/60 X

[75] Inventor: **Joseph G. Shafer, P.O. Box 447,
Solana Beach, Calif. 92075**

4,417,873 11/1983 Kulas 433/57

4,668,189 5/1987 Levandoski 433/55

[73] Assignee: **Joseph G. Shafer, Solana Beach, Fla.**

Primary Examiner—Susan J. Lucas

Assistant Examiner—M. H. Tung

[**] Term: **14 Years**

[57] **CLAIM**

[21] Appl. No.: **326,260**

The ornamental design for a dental reline jig for dentures, as shown and described.

[22] Filed: **Mar. 21, 1989**

[52] U.S. Cl. **D24/182**

DESCRIPTION

[58] Field of Search **D24/10-16;
433/54-67**

FIG. 1 is a top plan view of a reline jig for dentures showing my new design;

FIG. 2 is a front elevational view thereof, the rear elevational view being identical;

FIG. 3 is a side elevational view thereof;

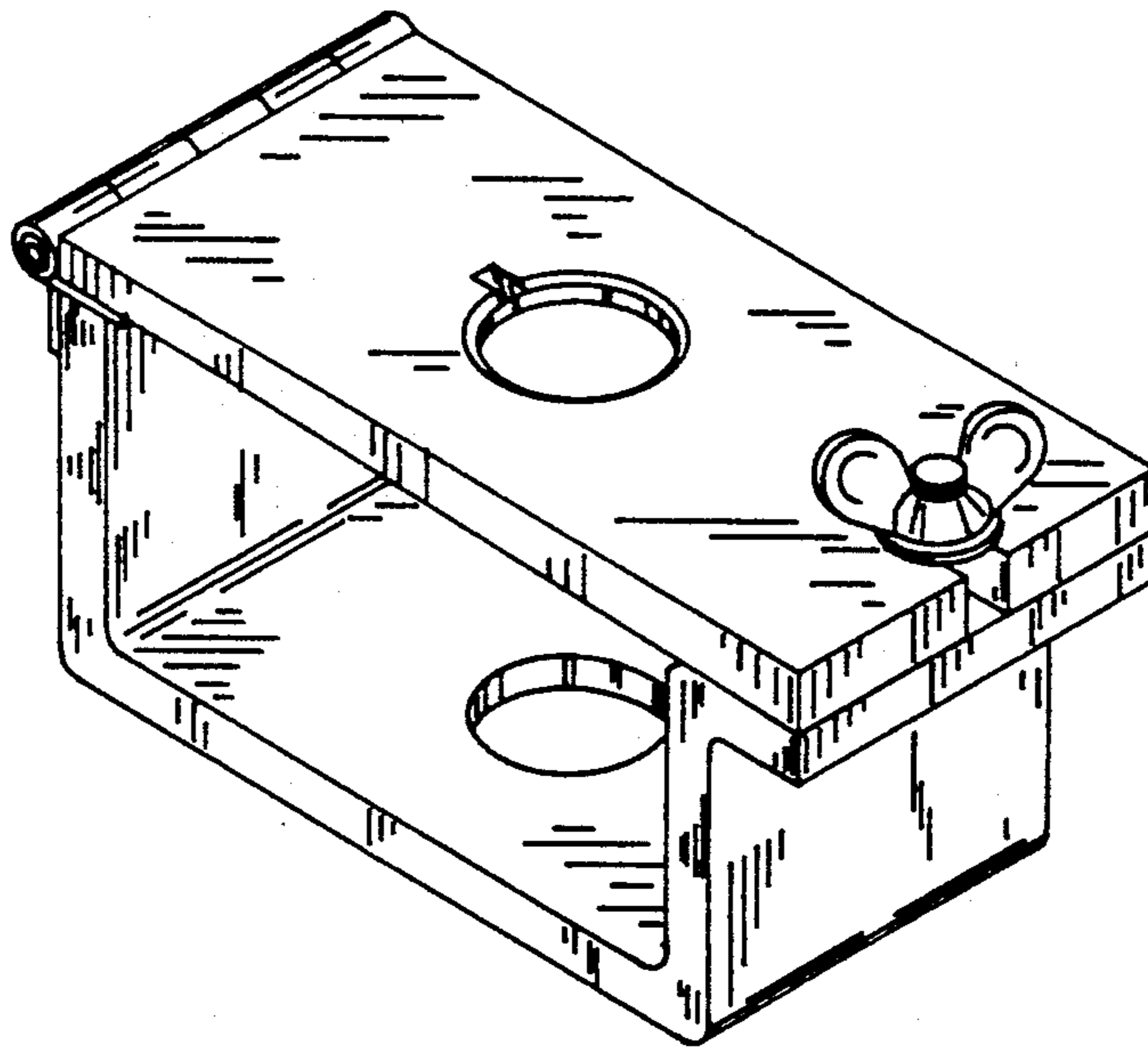
FIG. 4 is a bottom plan view thereof;

FIG. 5 is a perspective view thereof.

[56] References Cited

U.S. PATENT DOCUMENTS

- D. 260,287 8/1981 Lee D24/10
- D. 313,469 1/1991 Tucker D24/10



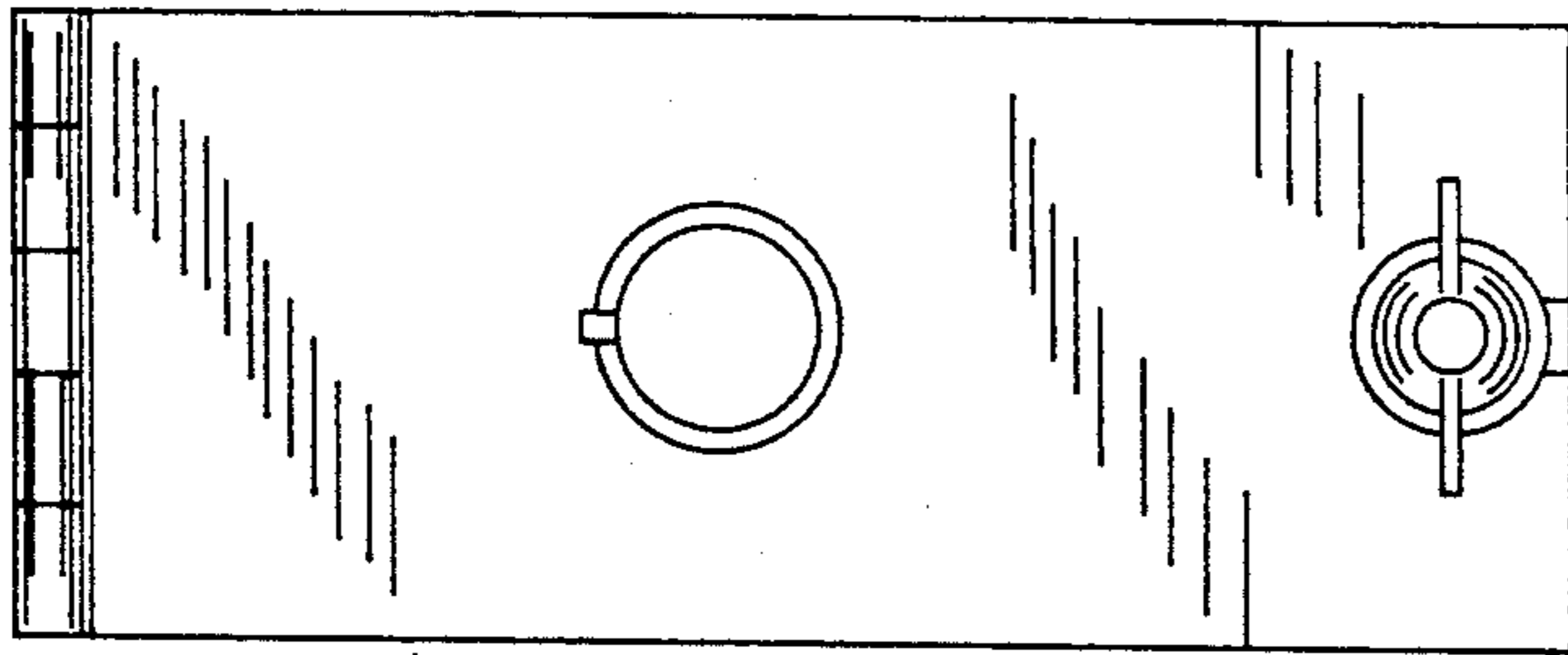


FIG. 1

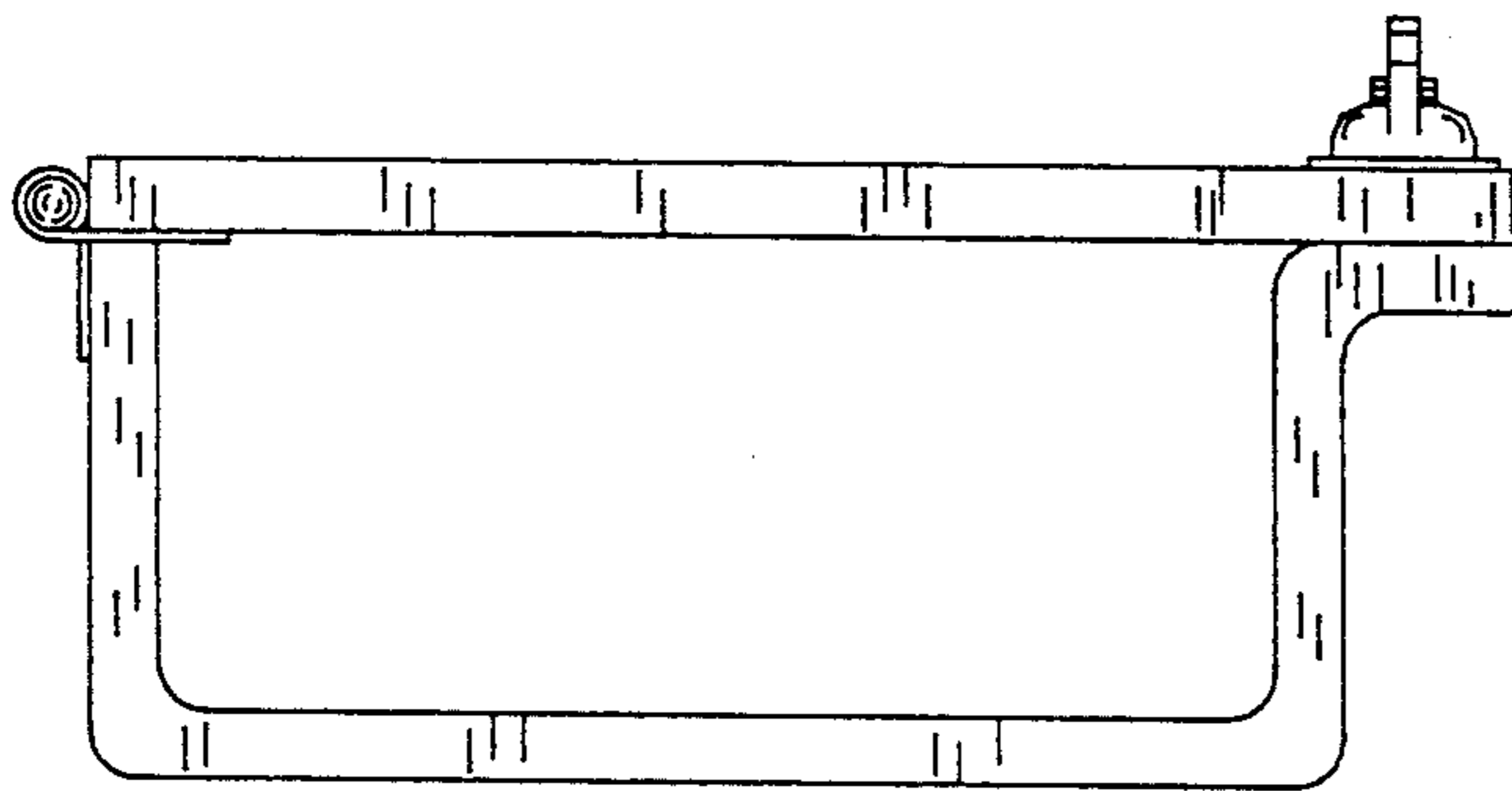


FIG. 2

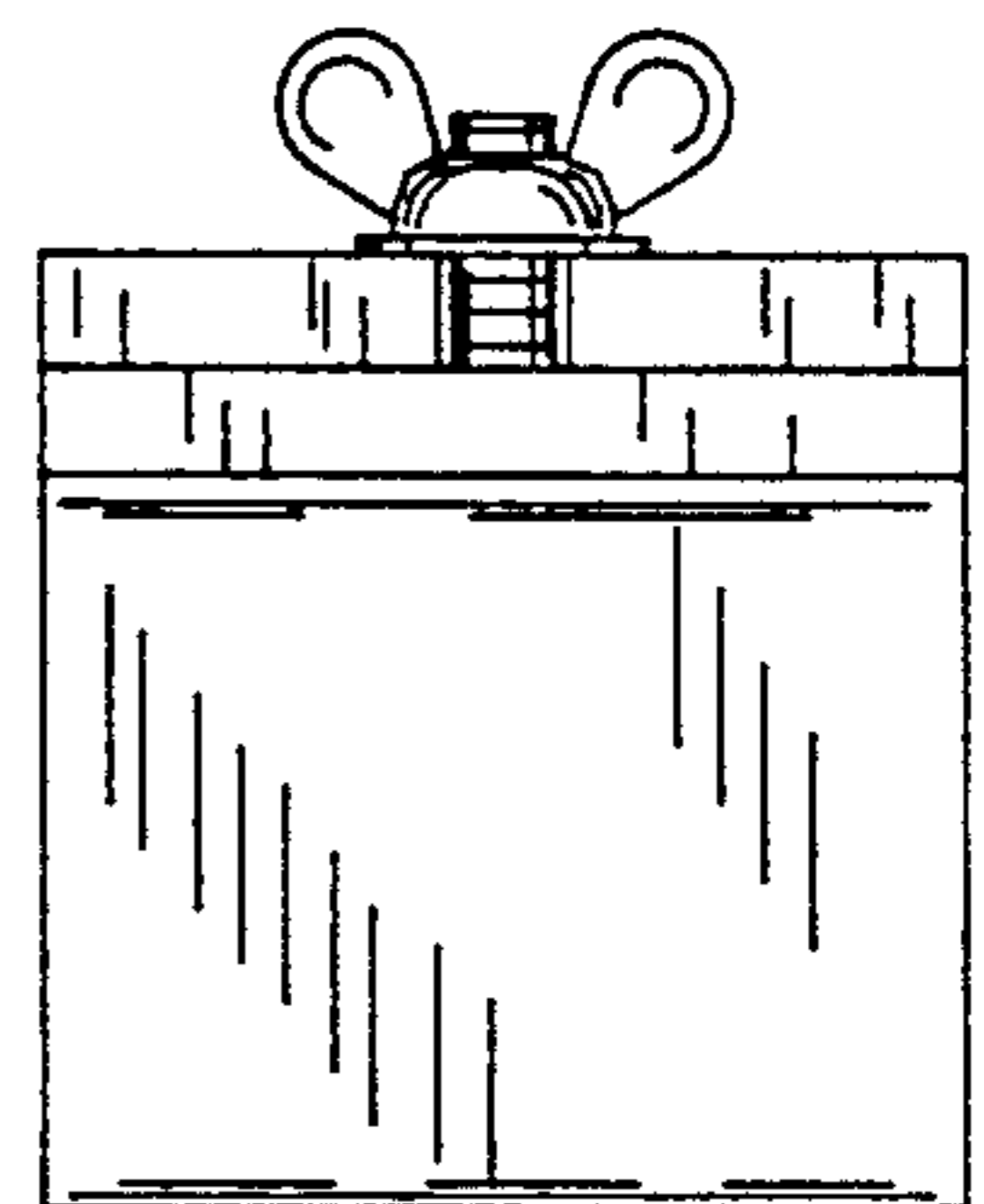


FIG. 3

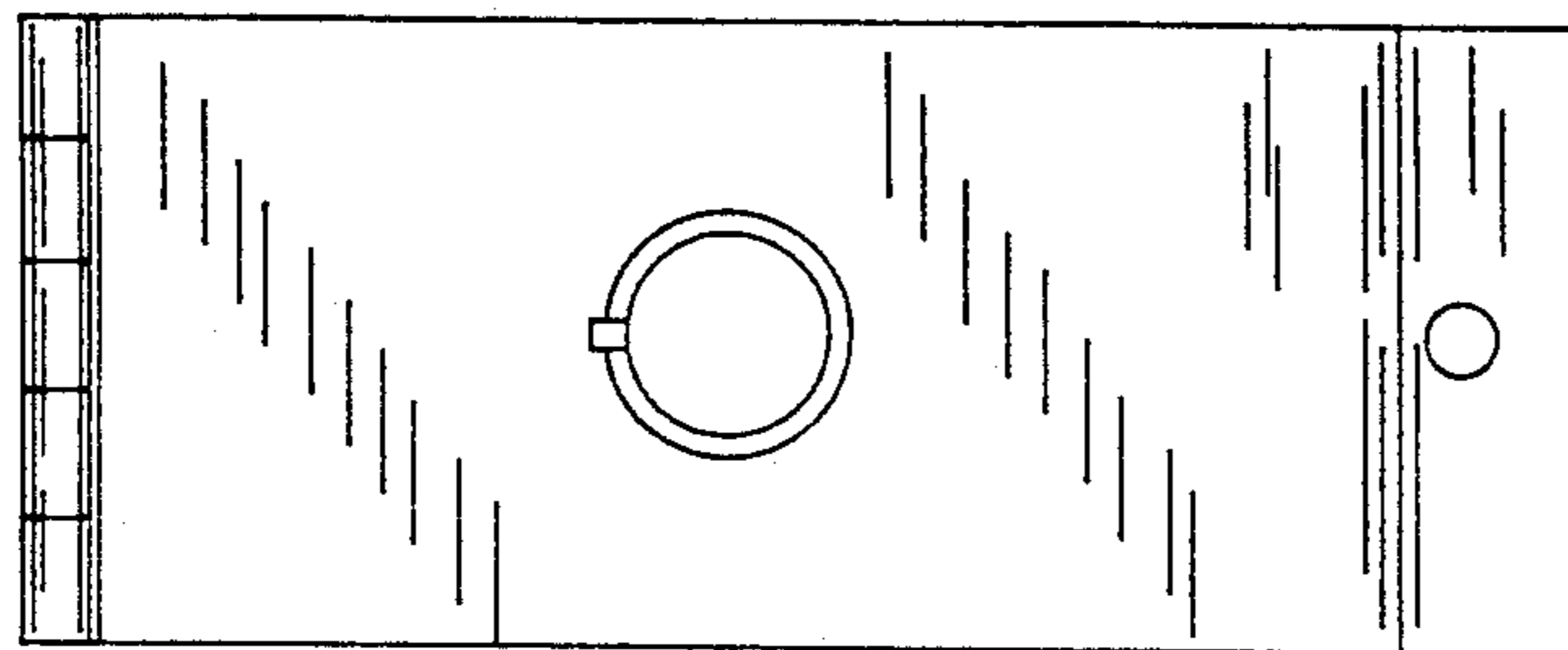


FIG. 4

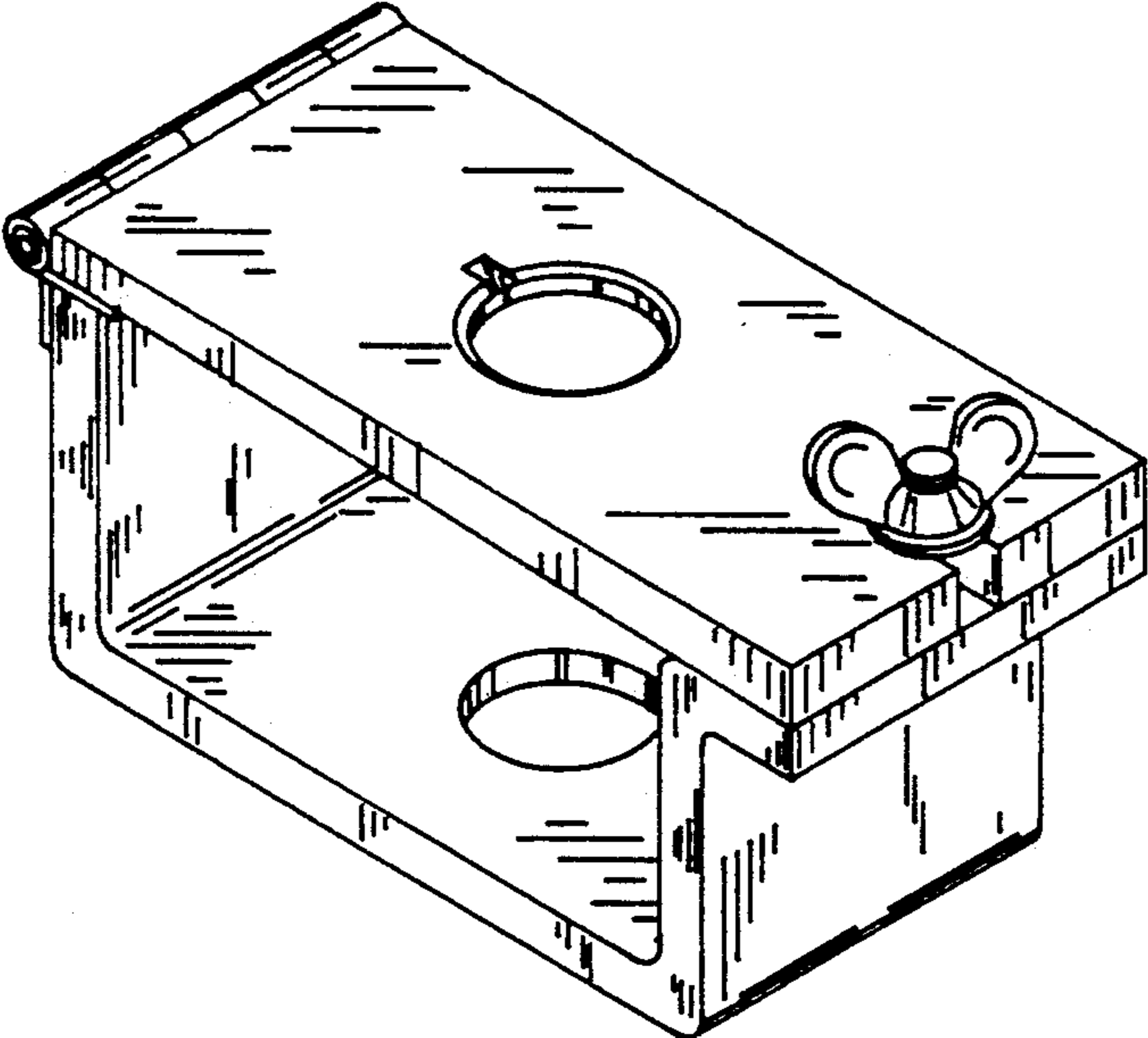


FIG. 5