



US00D323556S

United States Patent [19]

Miyaguchi

[11] Patent Number: **Des. 323,556**

[45] Date of Patent: **** Jan. 28, 1992**

[54] LANCET

[75] Inventor: **Katsuhiko Miyaguchi**, Yamanashi, Japan

[73] Assignee: **Terumo Kabushiki Kaisha**, Tokyo, Japan

[**] Term: **14 Years**

[21] Appl. No.: **444,092**

[22] Filed: **Nov. 30, 1989**

[30] **Foreign Application Priority Data**

Jun. 2, 1989 [JP] Japan 1-20057

[52] U.S. Cl. **D24/147; D24/146**

[58] Field of Search **D24/146, 147, 144; 606/181, 182; 604/69-71, 136, 191; 128/637**

[56] **References Cited**

U.S. PATENT DOCUMENTS

D. 264,378 5/1982 Thomas et al. D24/147

D. 277,507 2/1985 Levy D24/147

D. 297,459 8/1988 Heiland et al. D24/147

4,527,561 7/1985 Burns 606/182
4,580,565 4/1986 Cornell et al. 606/182

Primary Examiner—Stella Reid
Attorney, Agent, or Firm—Frishauf, Holtz, Goodman & Woodward

[57] **CLAIM**

The ornamental design for a lancet, as shown and described.

DESCRIPTION

FIG. 1 is a perspective view of a lancet showing my new design;
FIG. 2 is a front elevational view thereof, the rear elevational view being identical thereto;
FIG. 3 is a top plan view thereof;
FIG. 4 is a bottom plan view thereof;
FIG. 5 is a left side elevational view thereof;
FIG. 6 is a right side elevational view thereof;
FIG. 7 is a front elevational view thereof with cap portion detached from the casing of the lancet; and
FIG. 8 is a cross-sectional view thereof, taken along line VIII—VIII of FIG. 5.

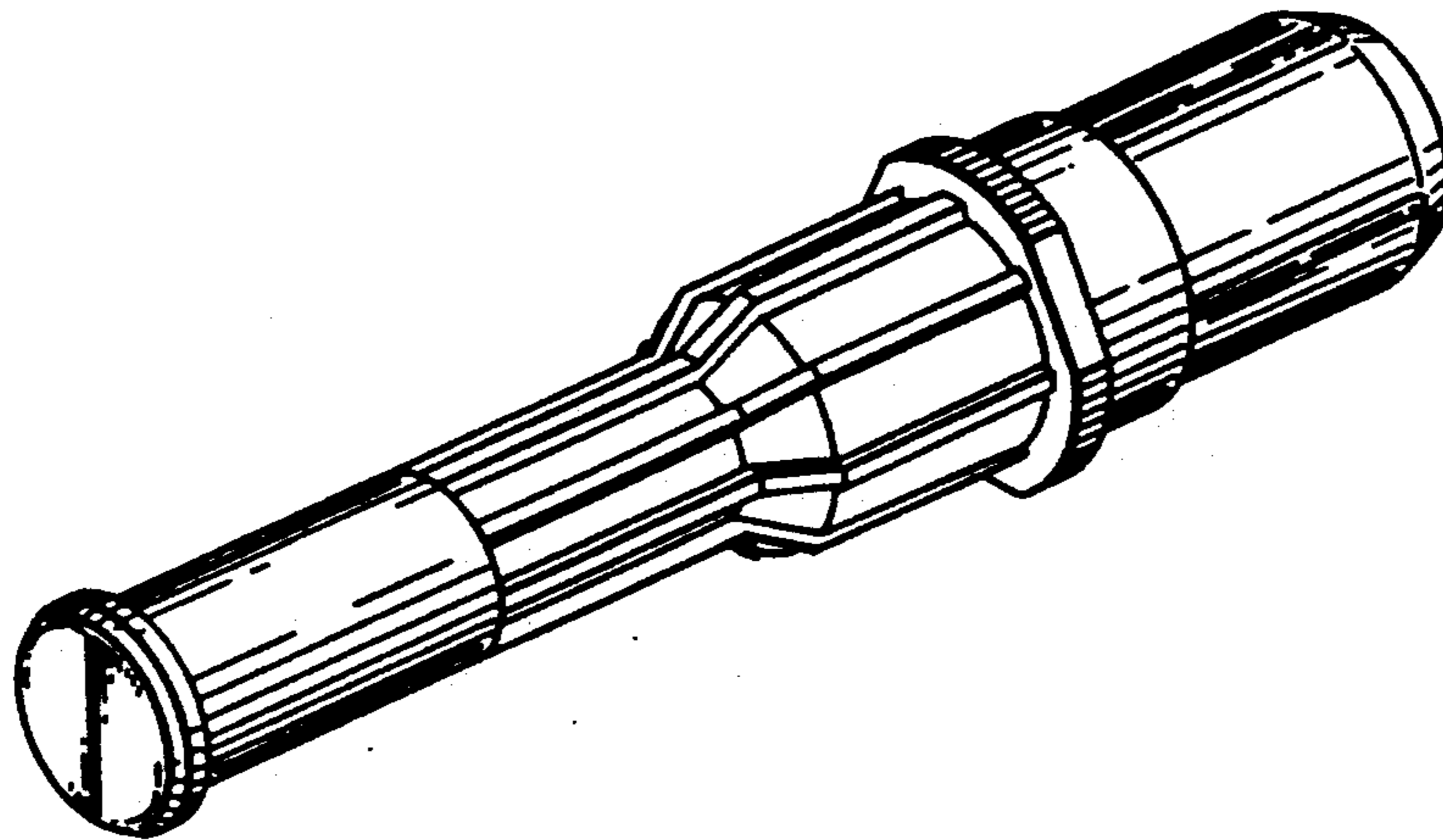


FIG.1

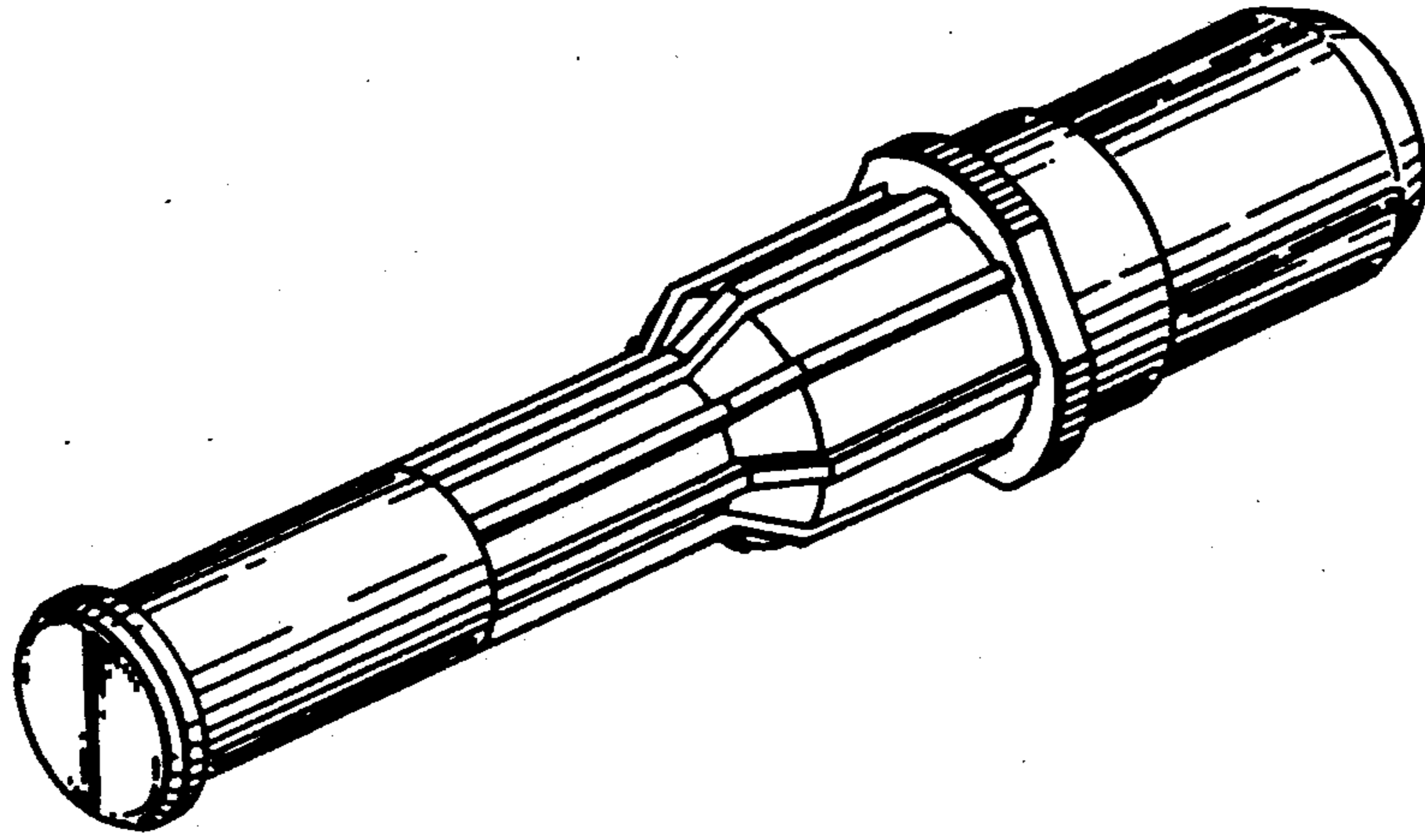


FIG.2

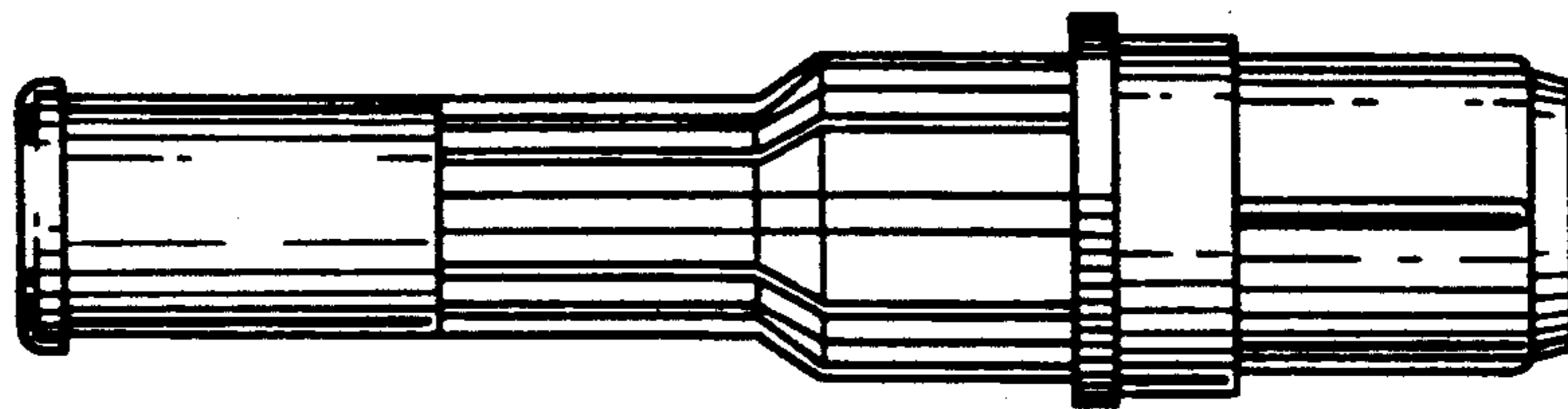


FIG.3

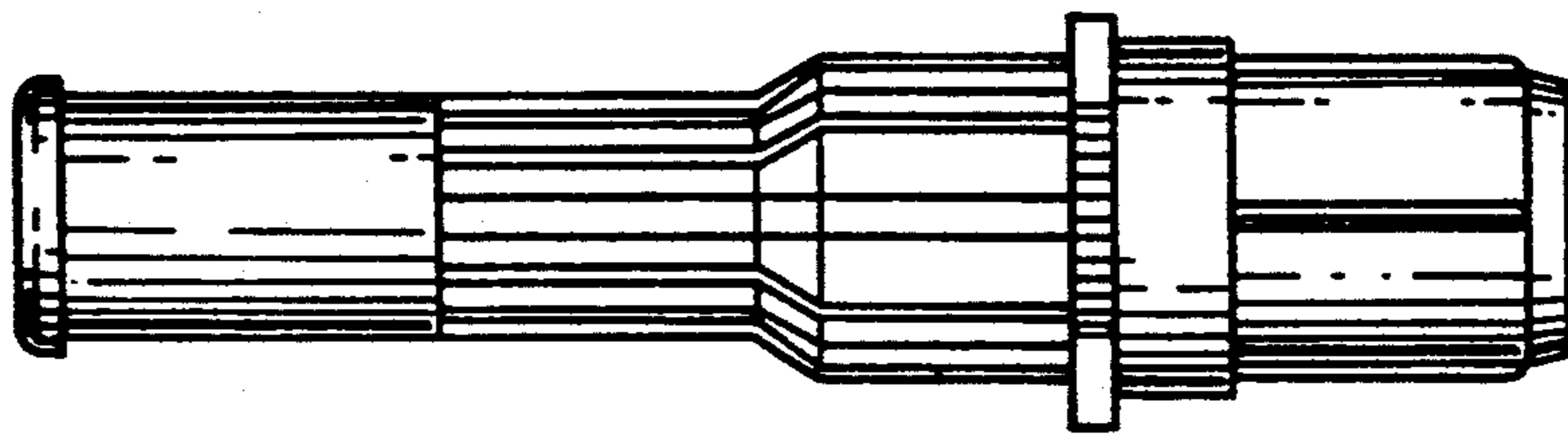


FIG.4

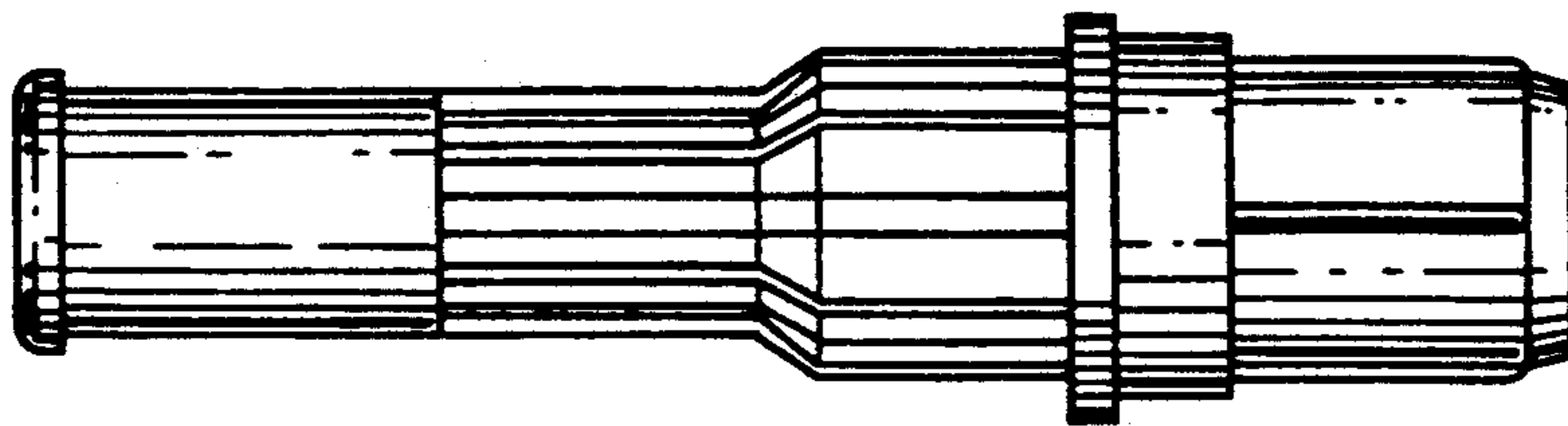


FIG.5

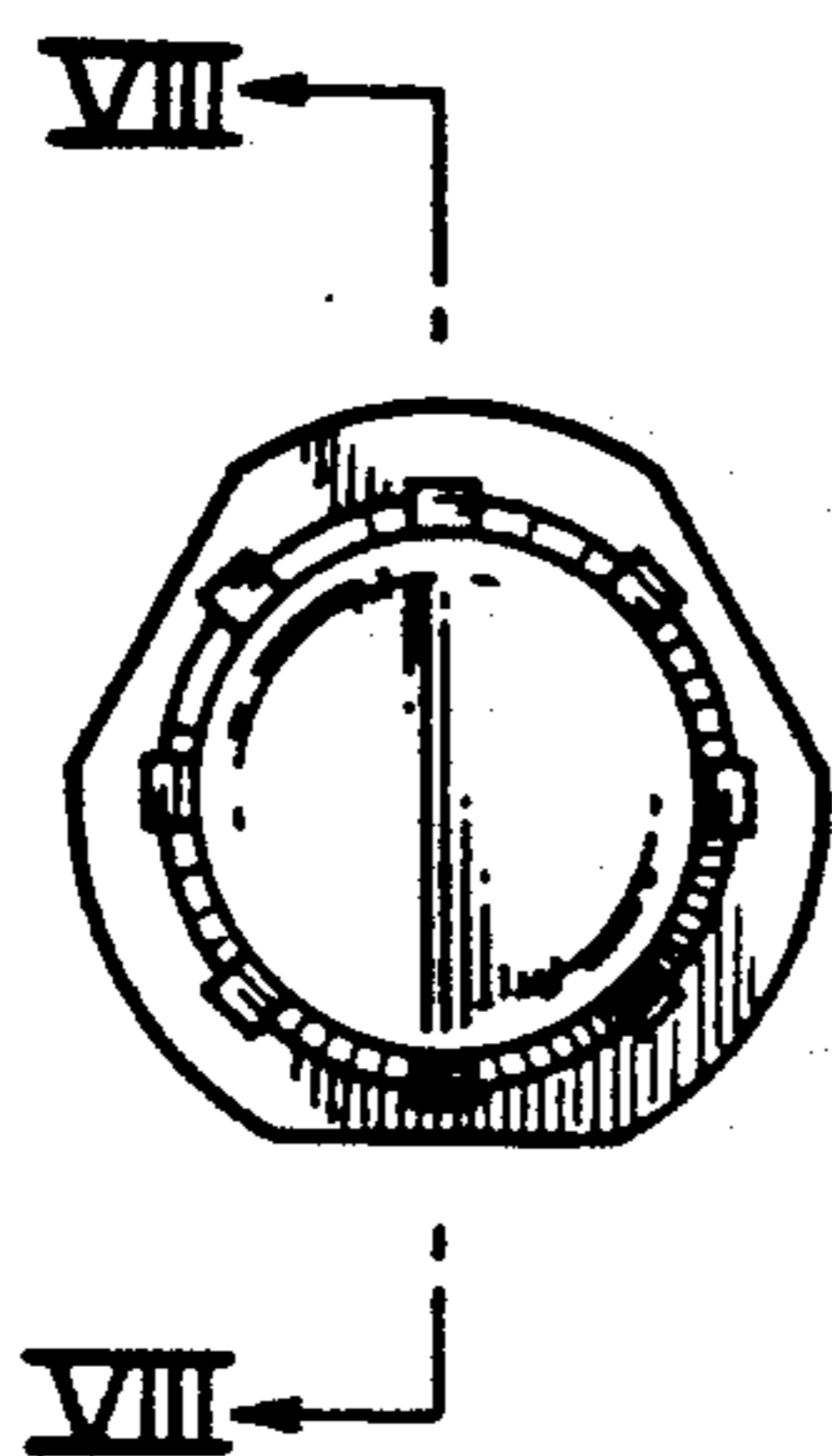


FIG.6

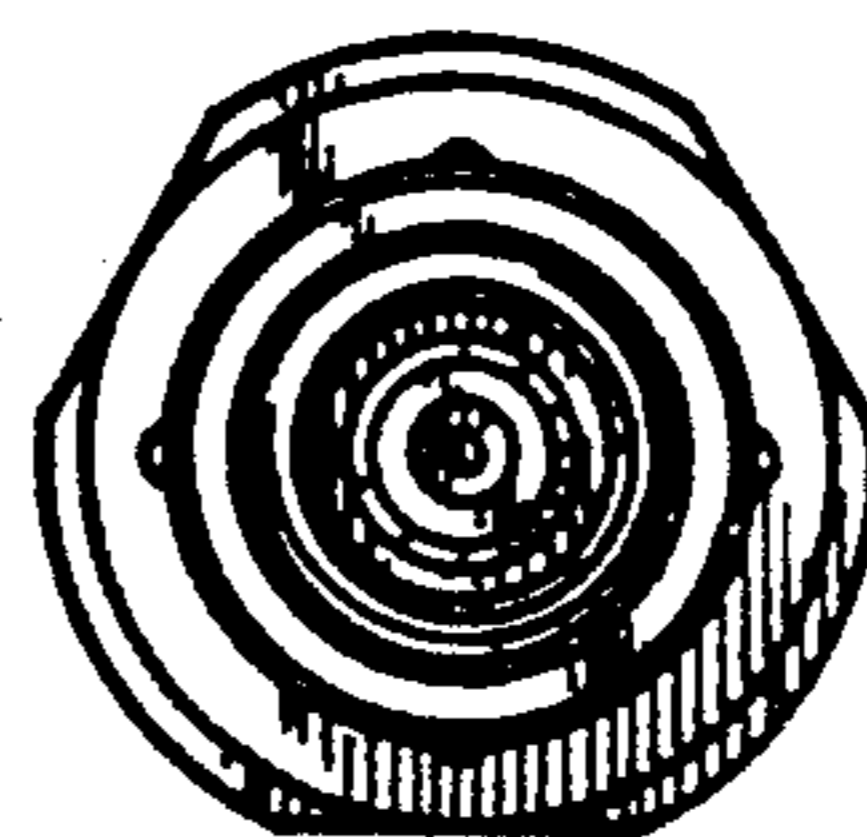


FIG.7

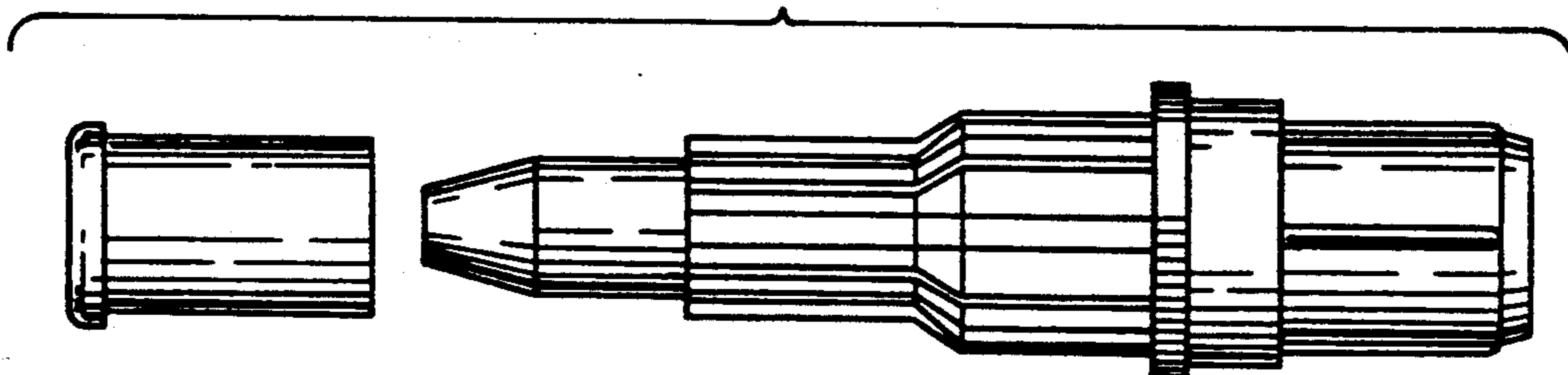


FIG.8

