



US00D323555S

# United States Patent [19]

[11] Patent Number: **Des. 323,555**

Rasmusson

[45] Date of Patent: **\*\* Jan. 28, 1992**

[54] **SURGICAL VESSEL LOOP**

[75] Inventor: **Larry A. Rasmusson**, Coon Rapids, Minn.

[73] Assignee: **Life Centers, Inc.**, Minneapolis, Minn.

[\*\*] Term: **14 Years**

[21] Appl. No.: **370,392**

[22] Filed: **Jun. 22, 1989**

[52] U.S. Cl. .... **D24/143; D24/133**

[58] Field of Search ..... **D24/231, 143; 606/158, 606/157, 191, 139; 128/831, 843**

3,910,280	10/1975	Talonn .....	128/327
3,993,076	11/1976	Fogarty .....	128/325
4,016,883	4/1977	Wright, Jr. ....	606/158
4,069,825	1/1978	Akiyama .....	606/158
4,188,953	2/1980	Klieman et al. ....	606/158
4,611,593	9/1986	Fogarty et al. ....	128/325

*Primary Examiner*—Stella Reid  
*Attorney, Agent, or Firm*—Merchant, Gould, Smith, Edell, Welter & Schmidt

[57] **CLAIM**

The ornamental design for a surgical vessel loop, as shown and described.

**DESCRIPTION**

FIG. 1 is a perspective view of a surgical vessel loop, showing my new design with all other sides being identical to that showing;

FIG. 2 is a left side elevational view thereof, the right side elevational view being a mirror image thereof;

FIG. 3 is a fragmentary top plan view thereof, the bottom plan view being a mirror image thereof; and

FIG. 4 is a fragmentary front elevational view thereof, the rear elevational view being a mirror image thereof.

[56] **References Cited**

**U.S. PATENT DOCUMENTS**

1,252,260	1/1918	Gilberg .	
2,113,534	4/1938	Brown .....	125/327
2,803,253	6/1955	Campbell, III .....	128/327
2,936,759	9/1957	Yuhas .....	128/327
3,762,418	10/1973	Wasson .....	128/335.5
3,786,816	1/1974	Wolvek .....	606/158 X
3,880,166	4/1975	Fogarty .....	128/325

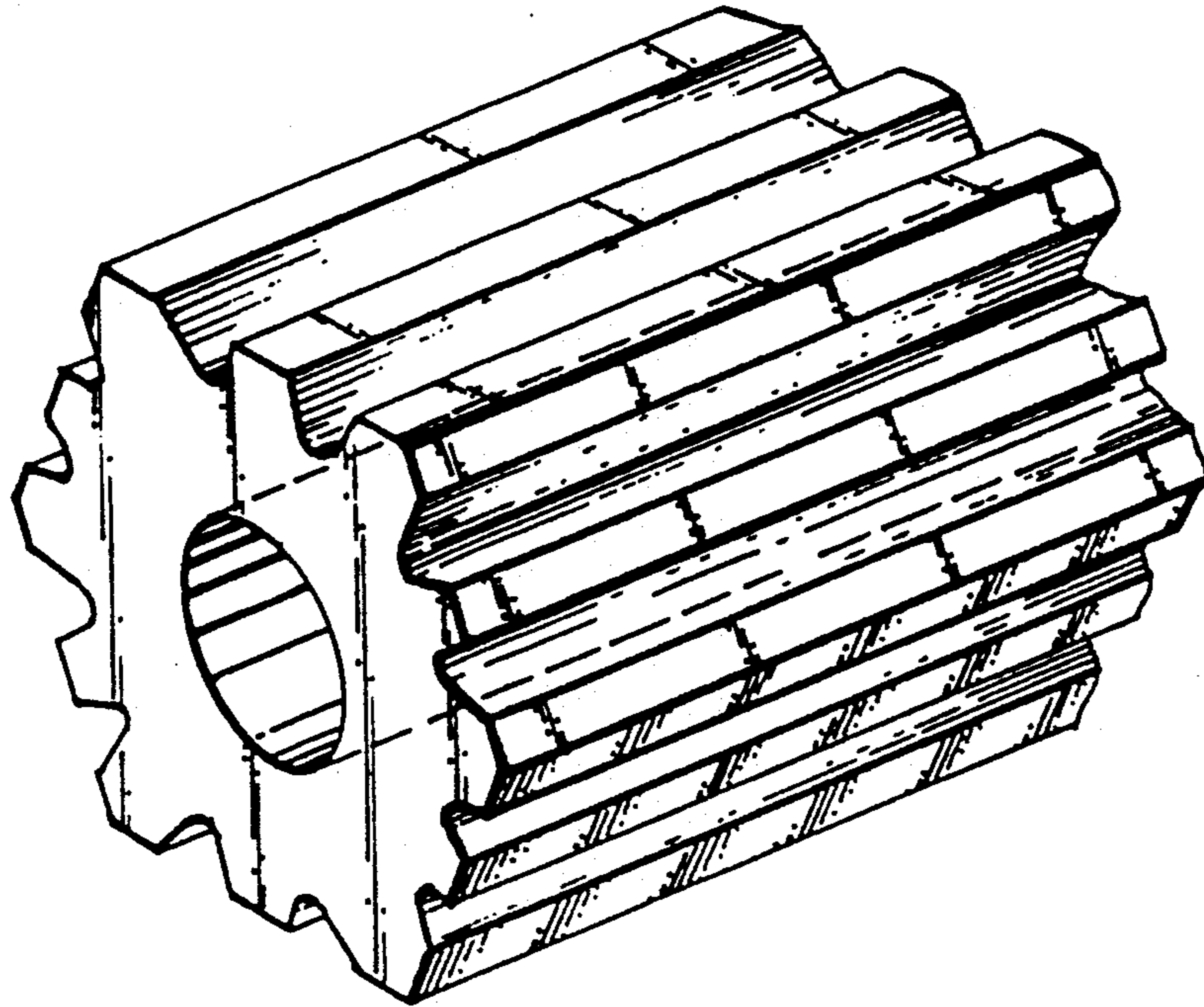


FIG. 1

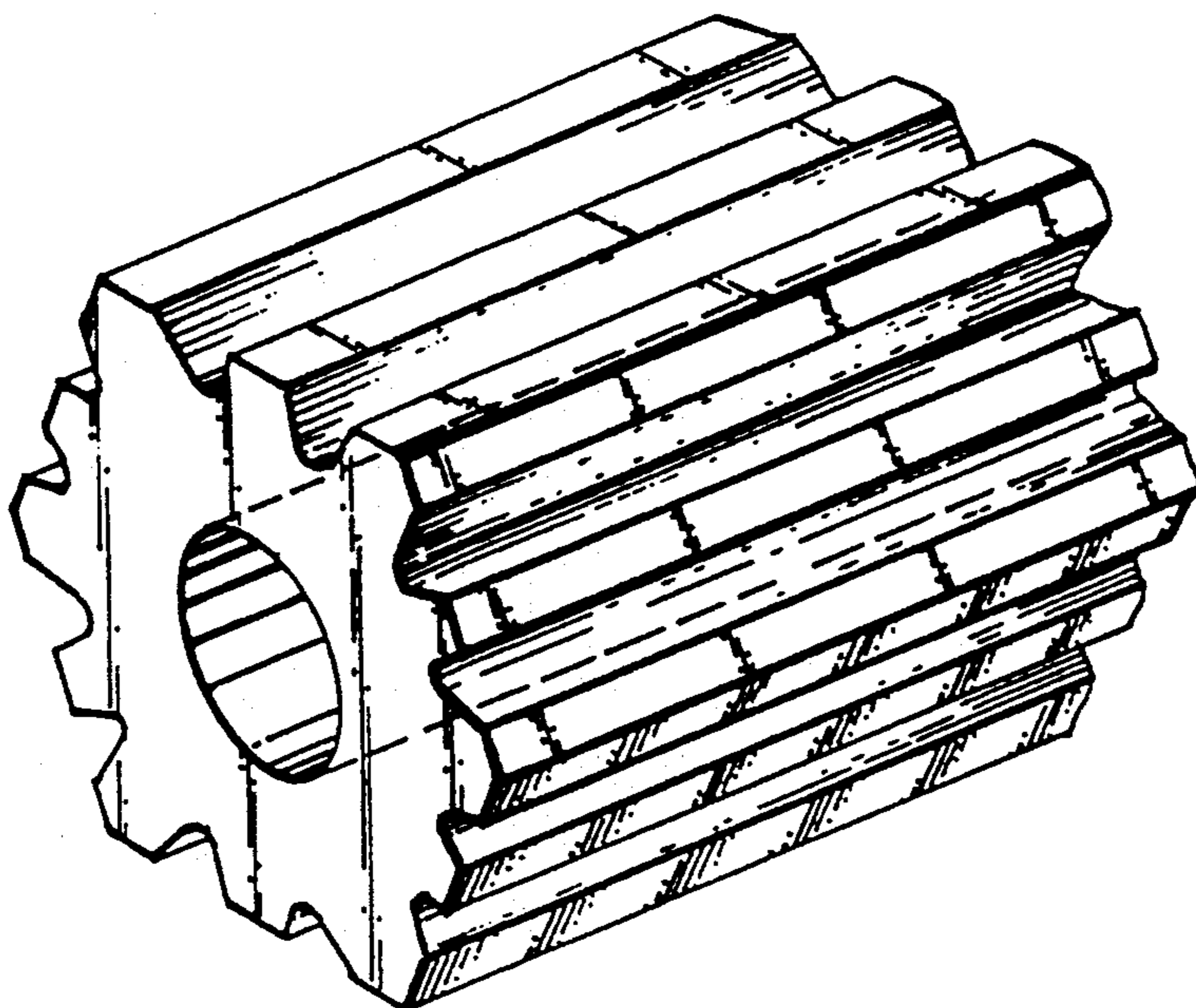


FIG. 3

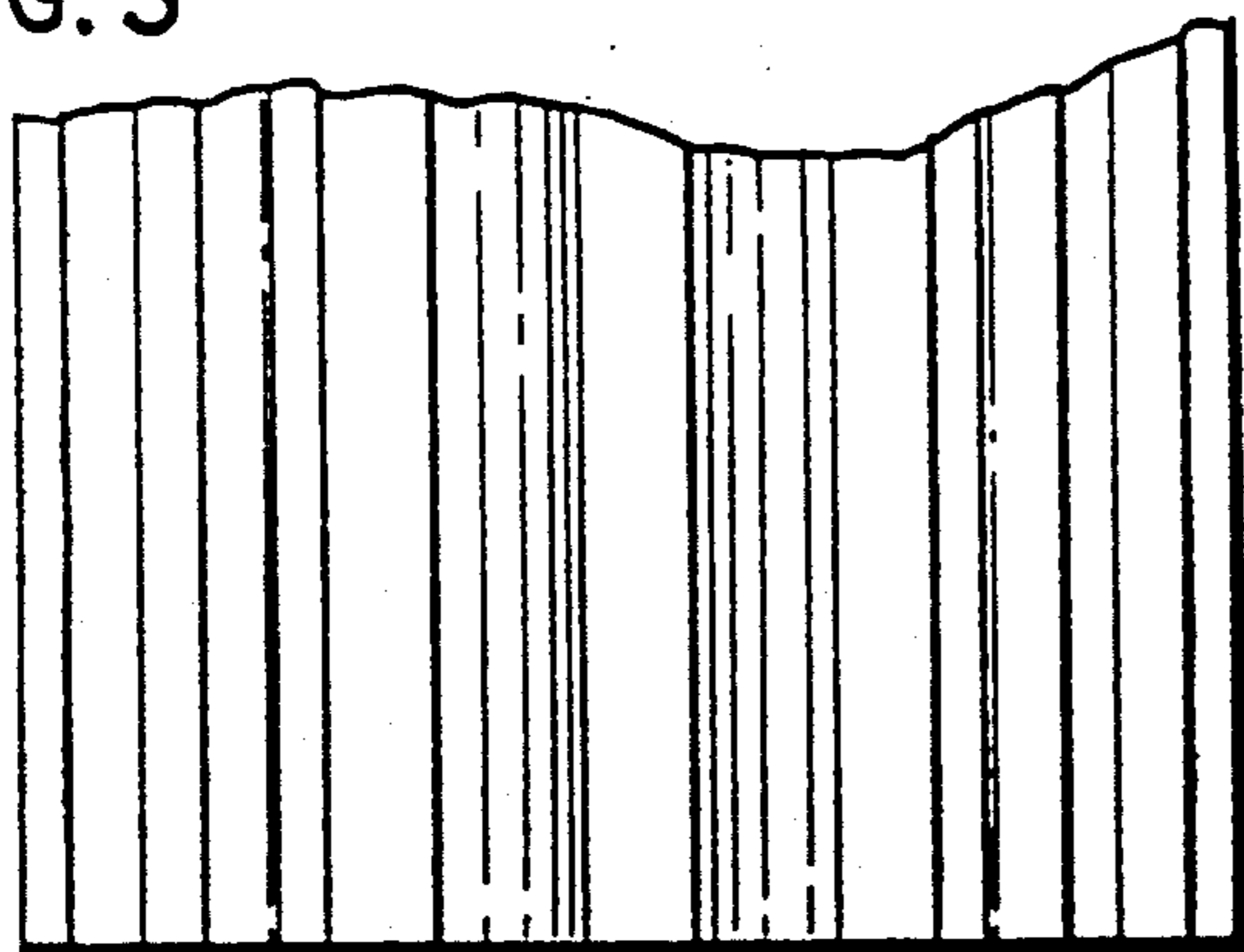


FIG. 2

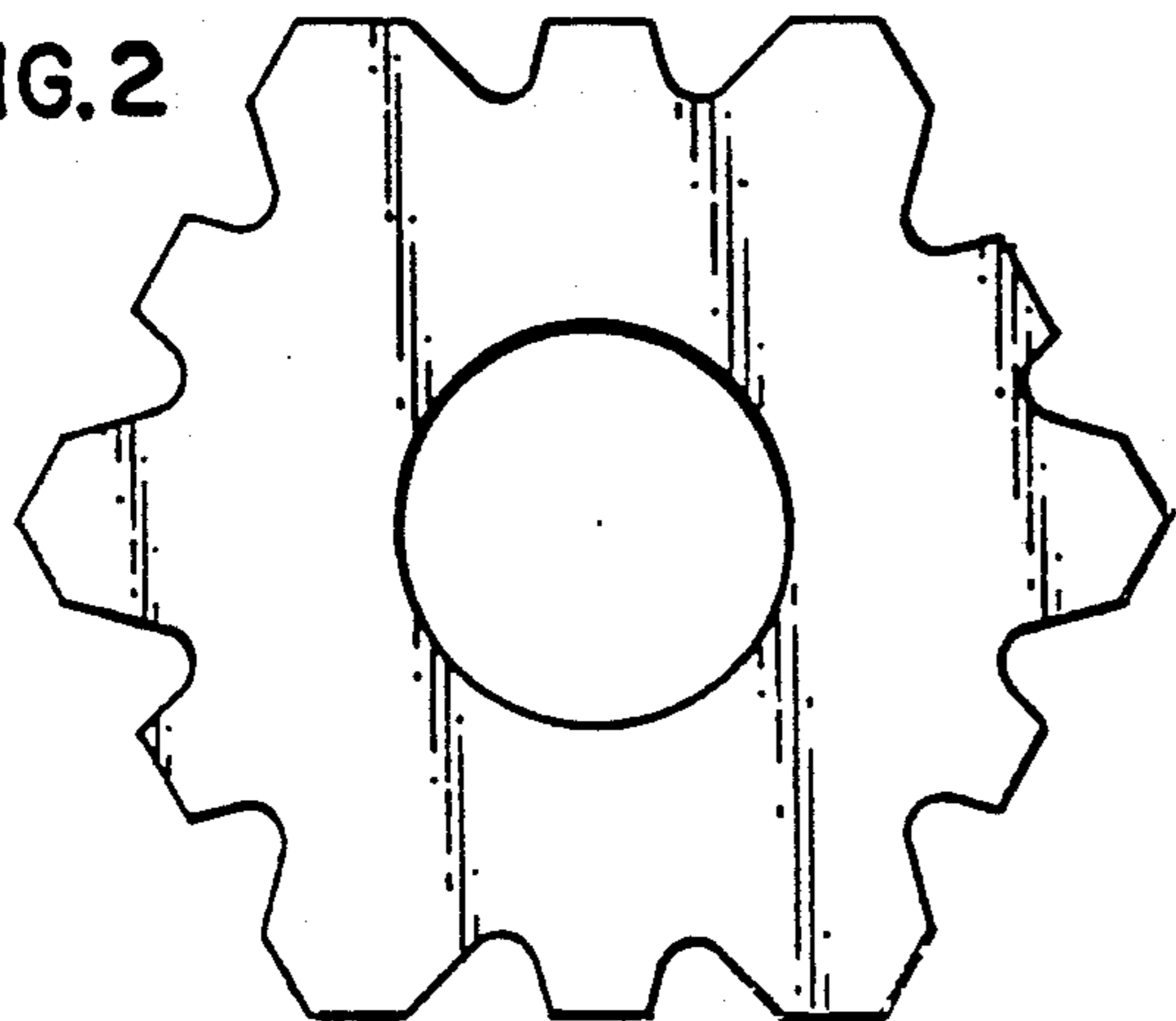


FIG. 4

