



US00D323553S

United States Patent [19] Claypool

[11] Patent Number: **Des. 323,553**
[45] Date of Patent: **** Jan. 28, 1992**

[54] HEATER CABINET OR SIMILAR ARTICLE

[75] Inventor: **Lawrence R. Claypool**, Wyoming, Mich.

[73] Assignee: **Therm Technology Corp.**, Grand Rapids, Mich.

[**] Term: **14 Years**

[21] Appl. No.: **651,490**

[22] Filed: **Feb. 6, 1991**

[52] U.S. Cl. **D23/337**

[58] Field of Search **D23/328, 370, 381, 382, D23/332, 335, 337; 392/365, 366, 383**

[56] References Cited

U.S. PATENT DOCUMENTS

D. 165,033	10/1951	Vandas	D23/342
D. 319,498	8/1991	Huang	D23/335
3,590,806	7/1971	Locke	D23/335

OTHER PUBLICATIONS

"Joan Cook Housewares '86" Cat., p. 30, Electric Mini Fan (A).

Intertherm Inc. Cat., 4/87, p. 10, The Hot One Heater, top of page.

Housewares, Apr. 21-27, 1988, p. 15, Ceramic Heater (A), middle right side of page.

Primary Examiner—James M. Gandy

Assistant Examiner—Lisa Lichtenstein

Attorney, Agent, or Firm—Varnum, Riddering, Schmidt & Howlett

[57] CLAIM

The ornamental design for a heater cabinet or similar article, as shown.

DESCRIPTION

FIG. 1 is a left front perspective view of a heater cabinet or similar article showing my new design;

FIG. 2 is an enlarged front elevational view thereof;

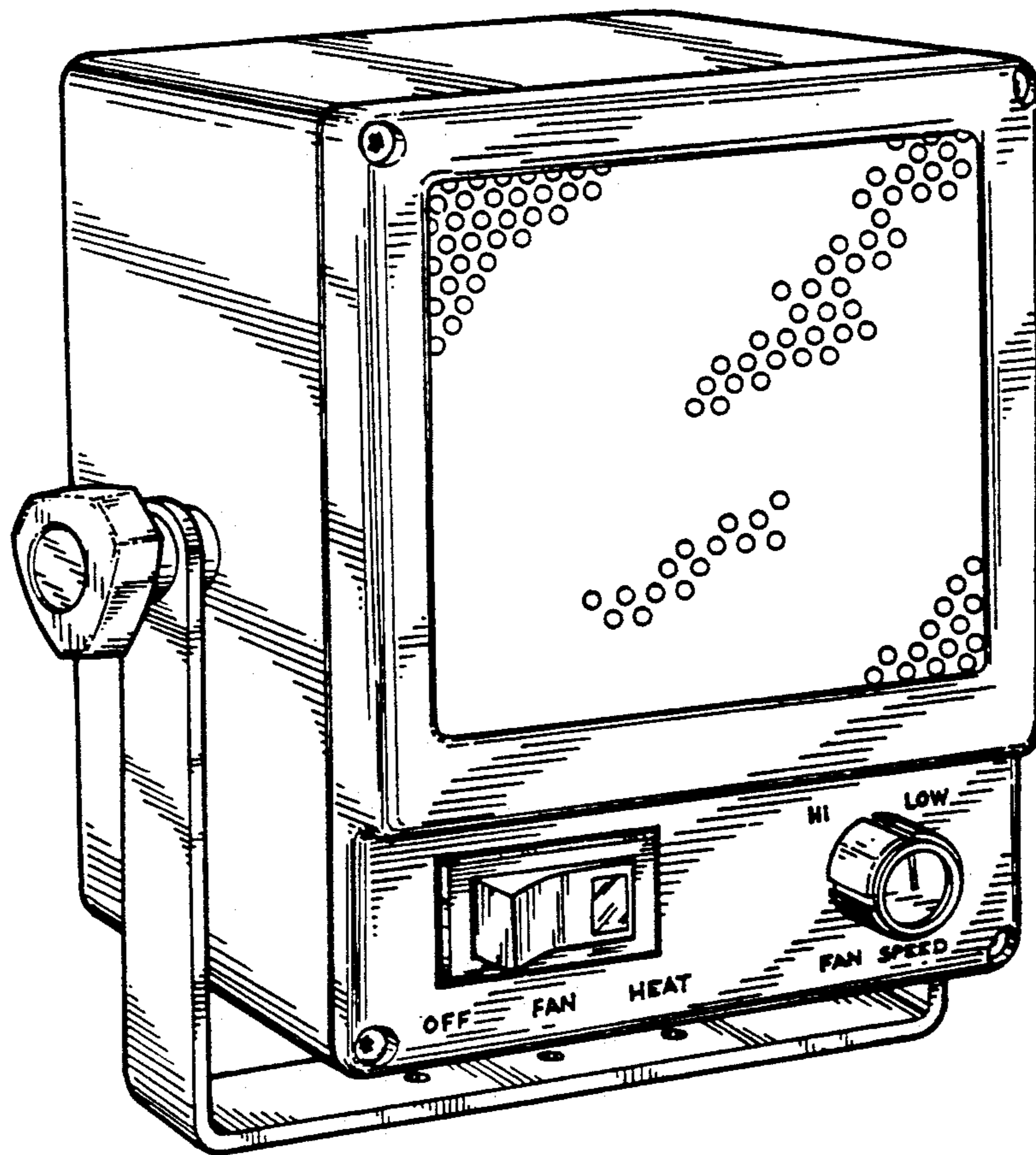
FIG. 3 is an enlarged rear elevational view thereof;

FIG. 4 is an enlarged right side elevational view thereof;

FIG. 5 is an enlarged left side elevational view thereof;

FIG. 6 is an enlarged top plan view thereof; and

FIG. 7 is an enlarged bottom plan view thereof.



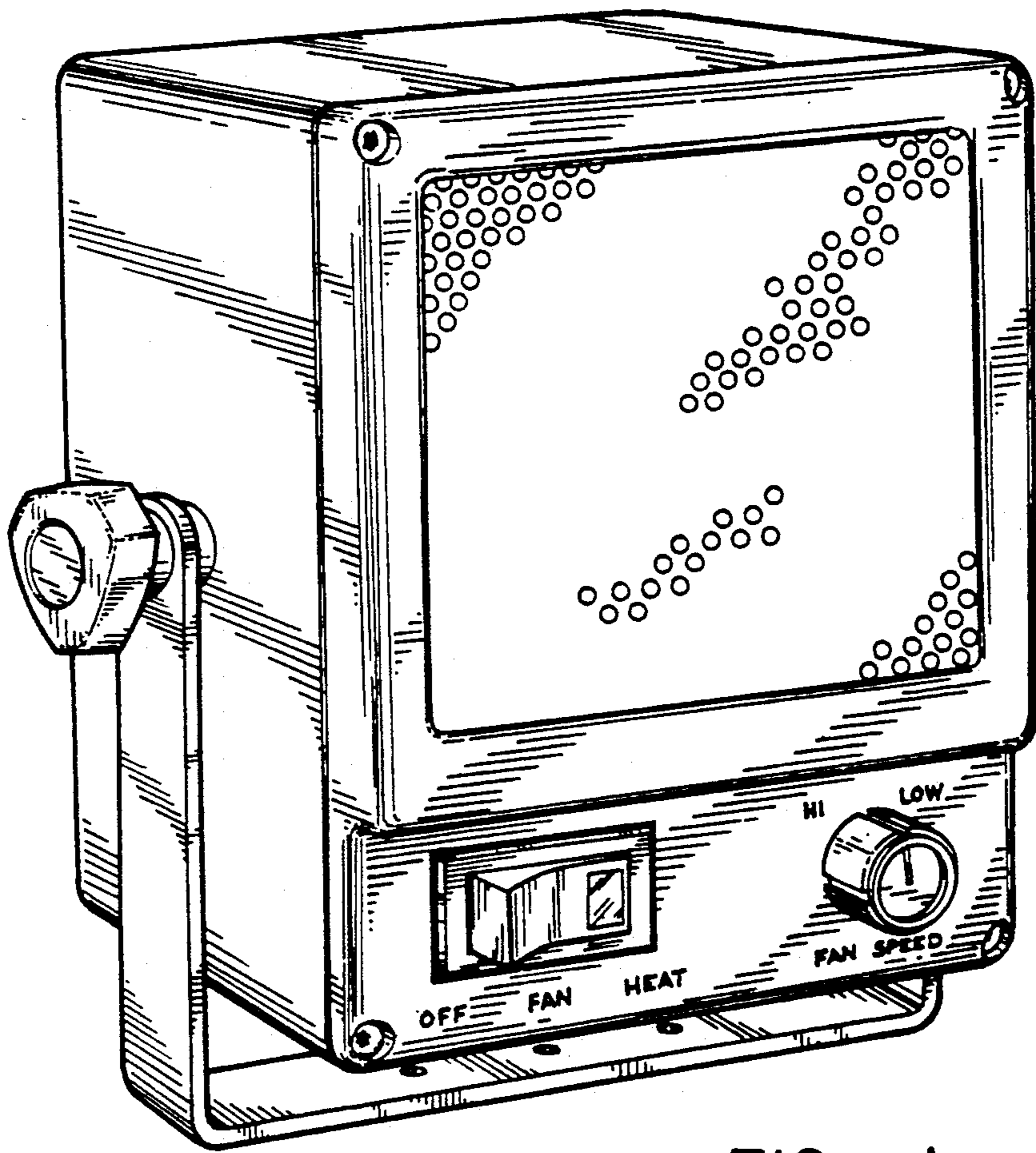


FIG. 1

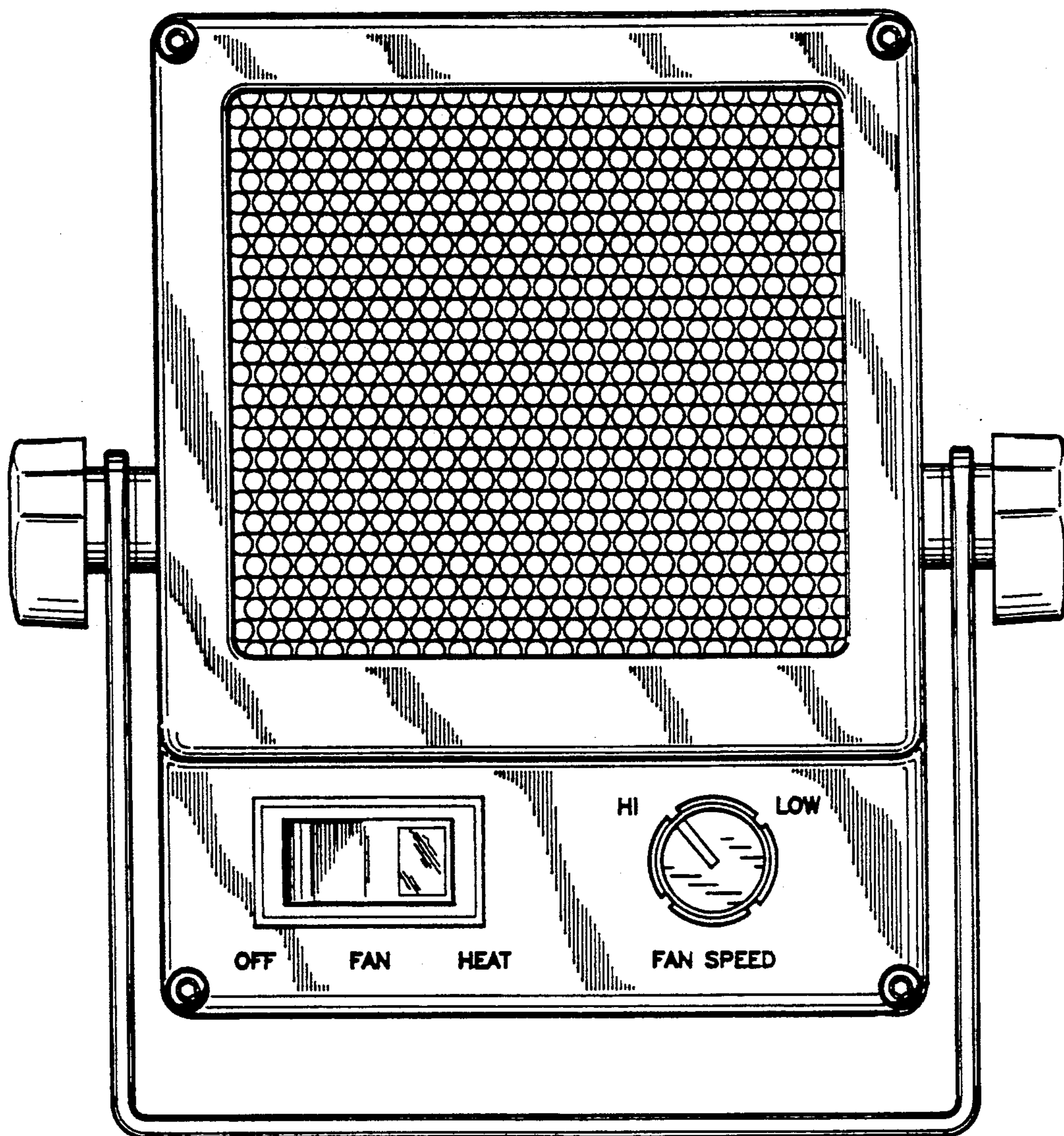


FIG. 2

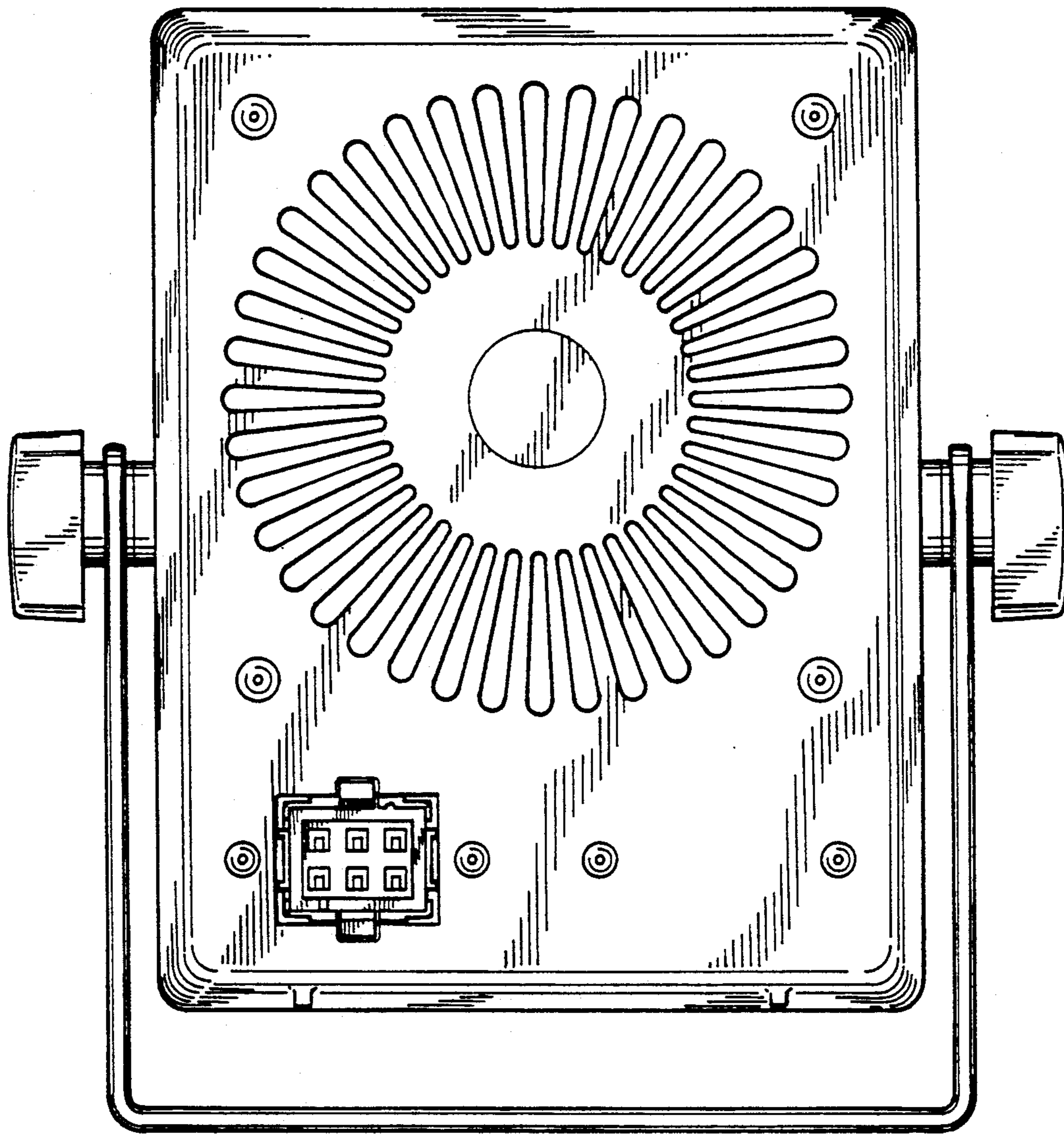


FIG. 3

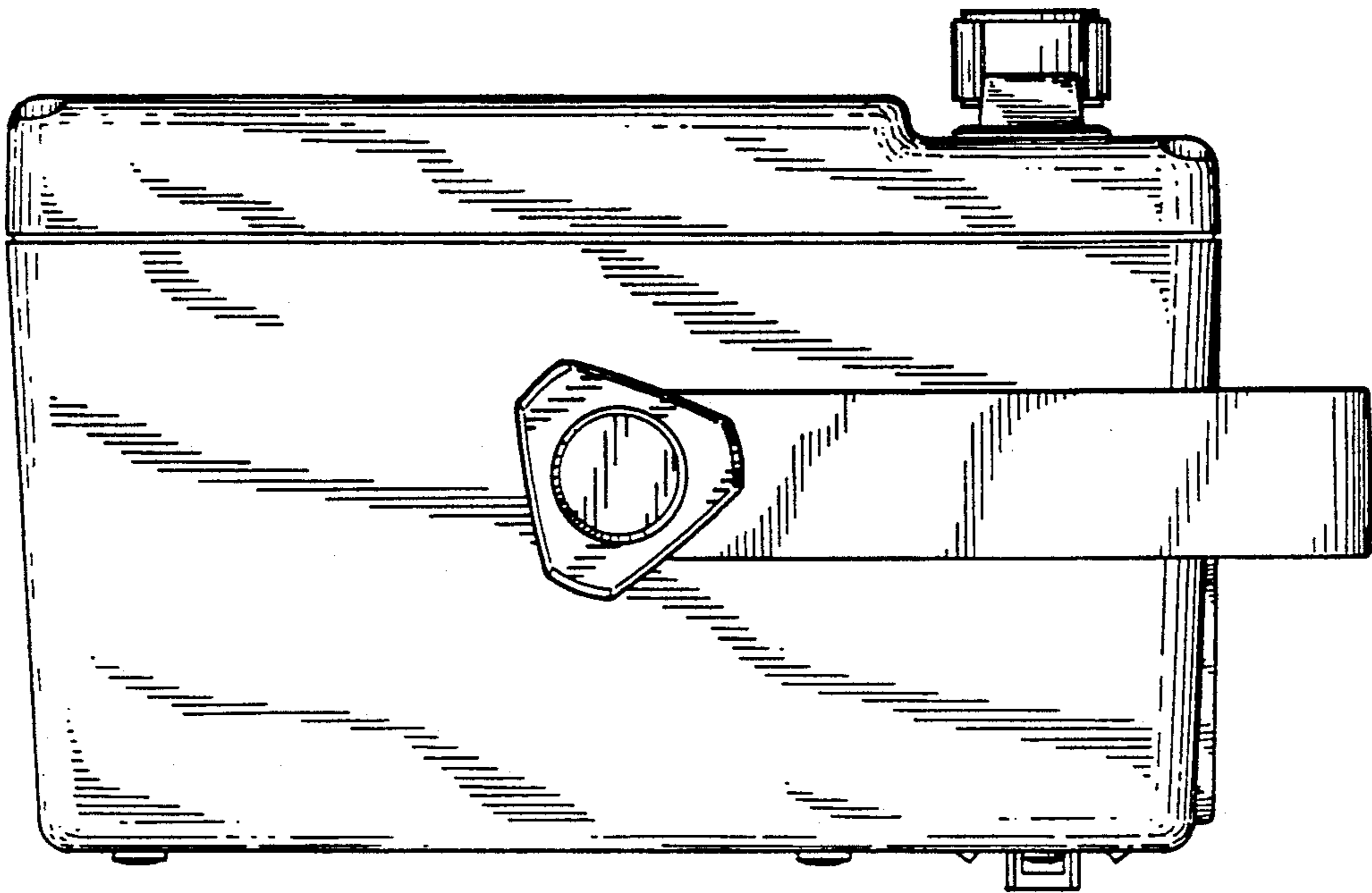


FIG. 5

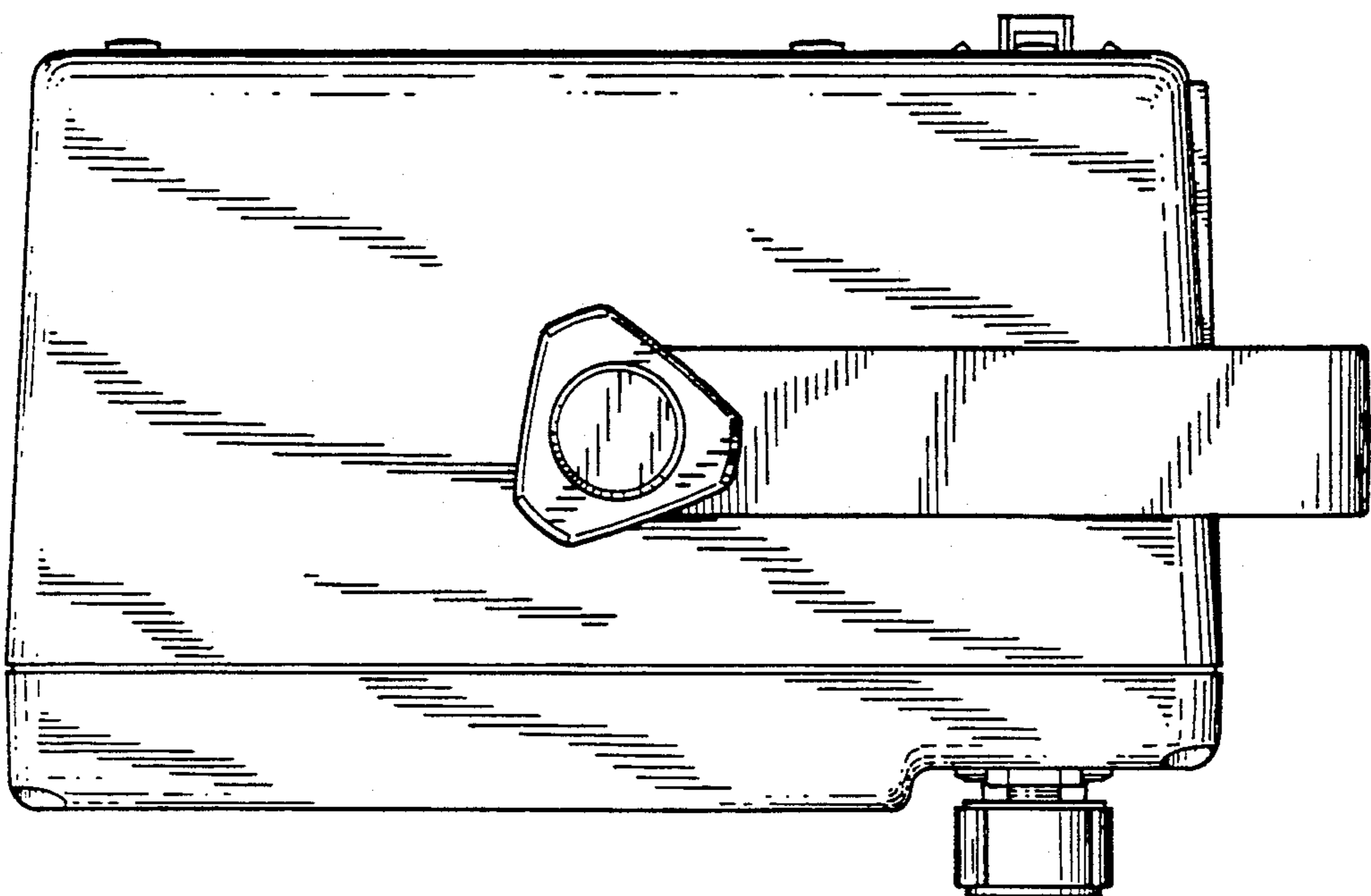


FIG. 4

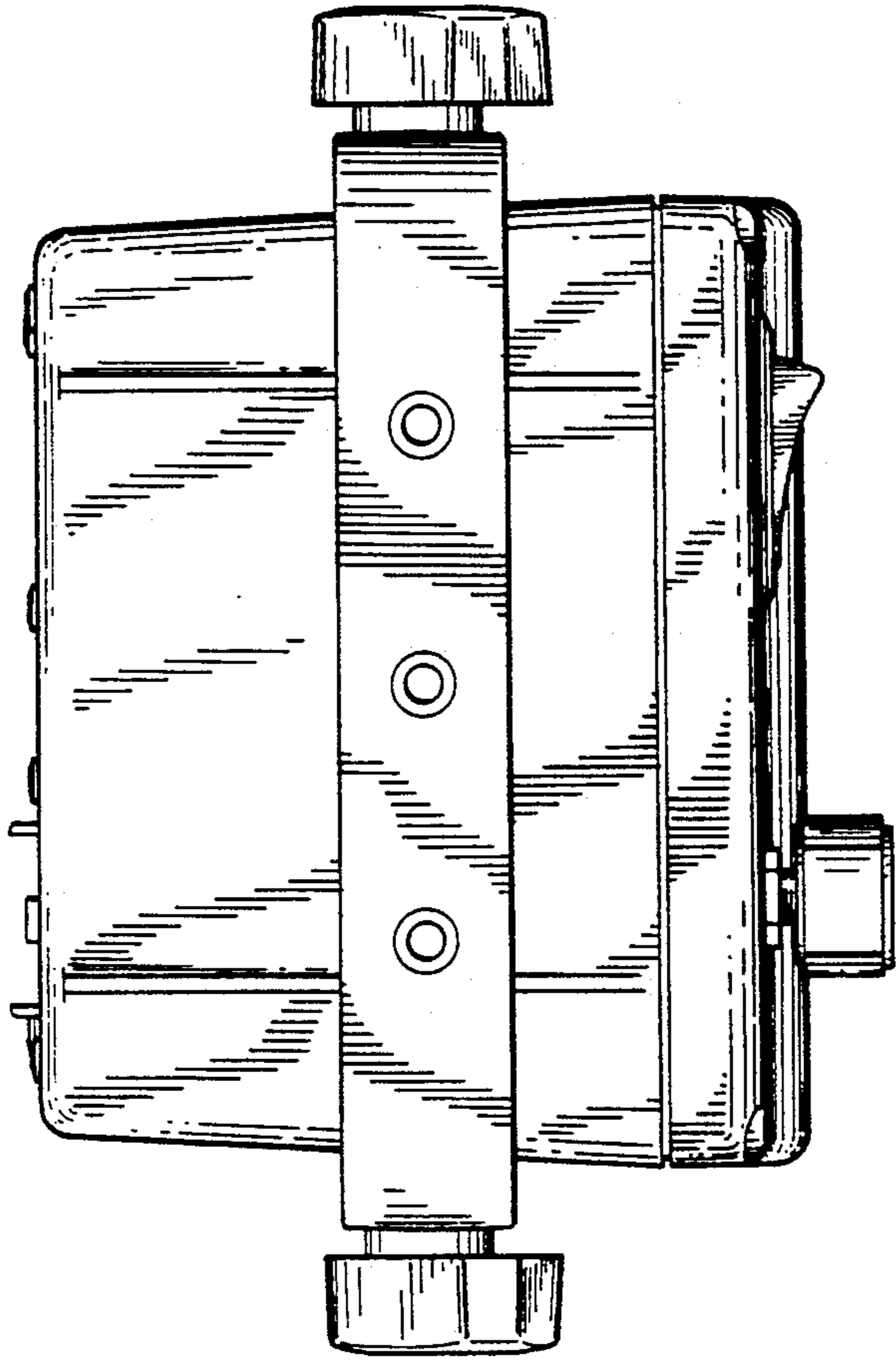


FIG. 7

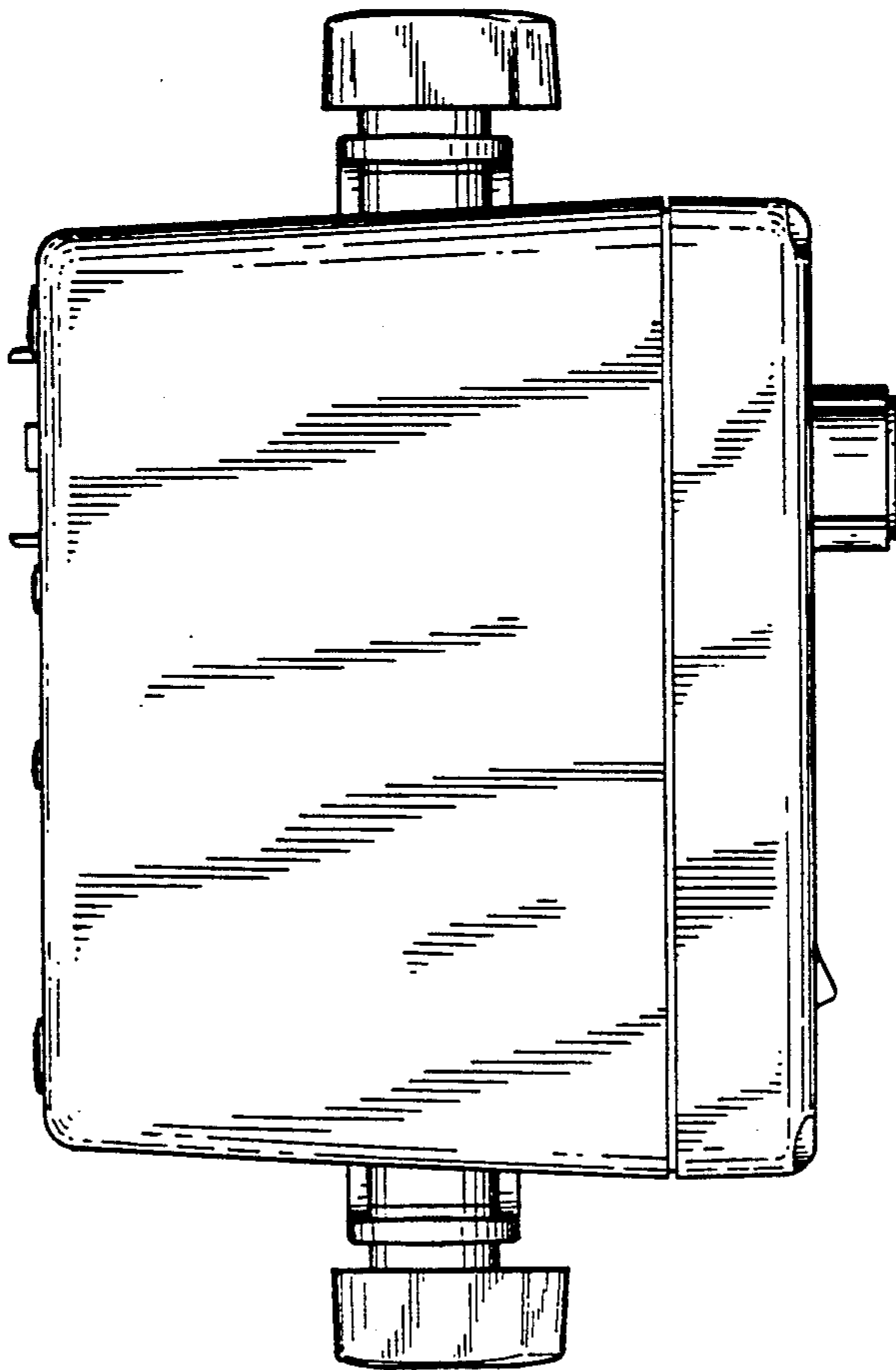


FIG. 6