



US00D323551S

United States Patent [19]

[11] Patent Number: **Des. 323,551**

Fait

[45] Date of Patent: **** Jan. 28, 1992**

[54] WATER CLOSET

[75] Inventor: **Claudio Fait, Milan, Italy**

[73] Assignee: **American Standard Inc., New York, N.Y.**

[**] Term: **14 Years**

[21] Appl. No.: **295,944**

[22] Filed: **Jan. 11, 1989**

[30] Foreign Application Priority Data

Jul. 15, 1988 [IT] Italy 34865/88[U]

[52] U.S. Cl. **D23/301**

[58] Field of Search **D23/295-301, D23/309-313; 4/300, 353, 420-442**

[56] References Cited

U.S. PATENT DOCUMENTS

D. 92,215 5/1934 Teahen D23/301

D. 93,537 10/1934 Brotz et al. D23/301

D. 101,534 10/1936 Karstadt D23/301

D. 185,643 7/1959 Magid et al. D23/301

D. 198,431 6/1964 Armstrong D23/301

D. 262,647 1/1982 Kaiser D23/301

D. 292,431 10/1987 Kohler, Jr. D23/301

Primary Examiner—James R. Largen

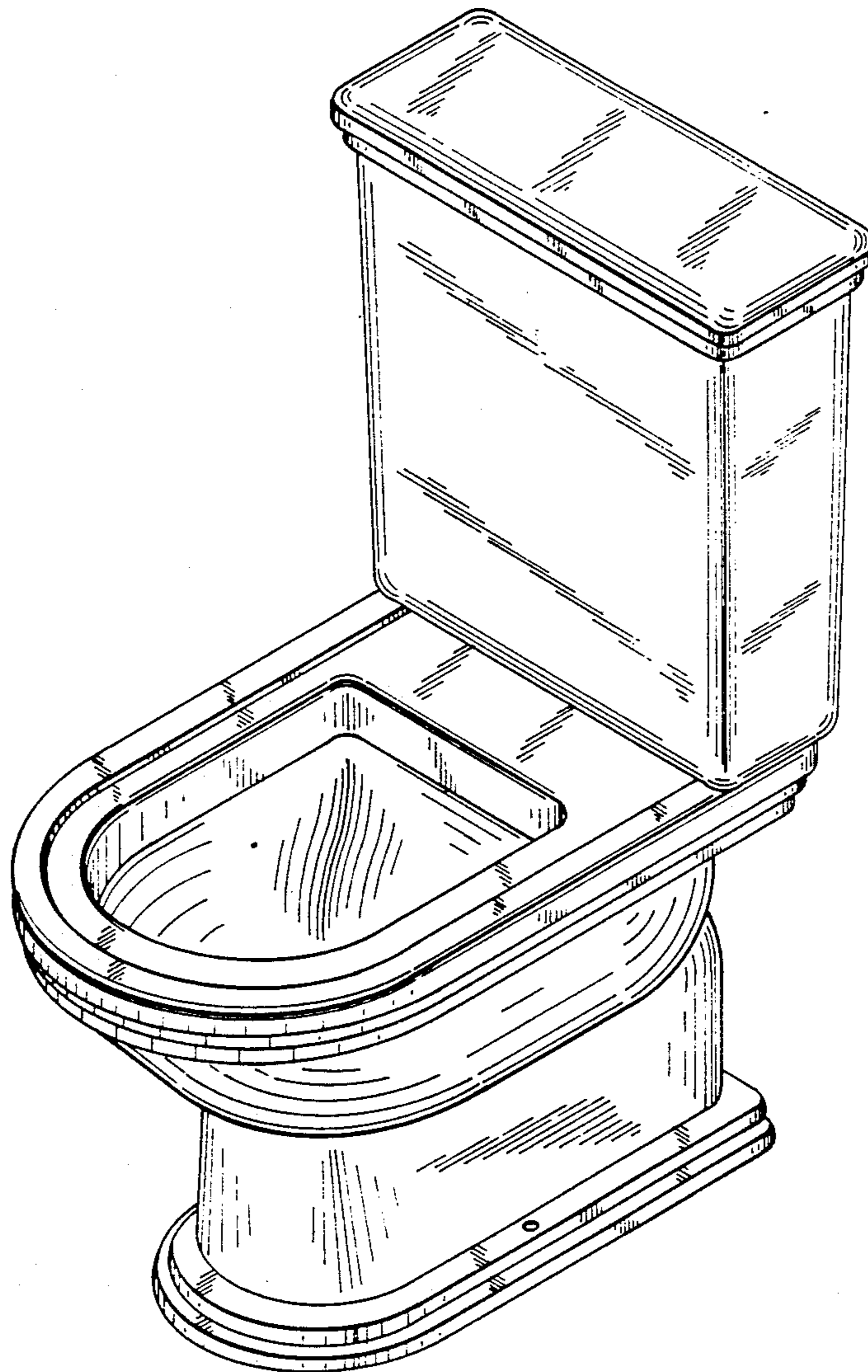
Attorney, Agent, or Firm—John P. Sinnott

[57] CLAIM

The ornamental design for water closet, as shown and described.

DESCRIPTION

FIG. 1 is a perspective view taken from the top, front and right side of a water closet showing my new design; FIG. 2 is a front elevational view thereof; FIG. 3 is a top plan view thereof; FIG. 4 is a rear elevational view thereof; FIG. 5 is a bottom plan view thereof; and FIG. 6 is a right side elevational view thereof, the left side being a mirror image of the right side.



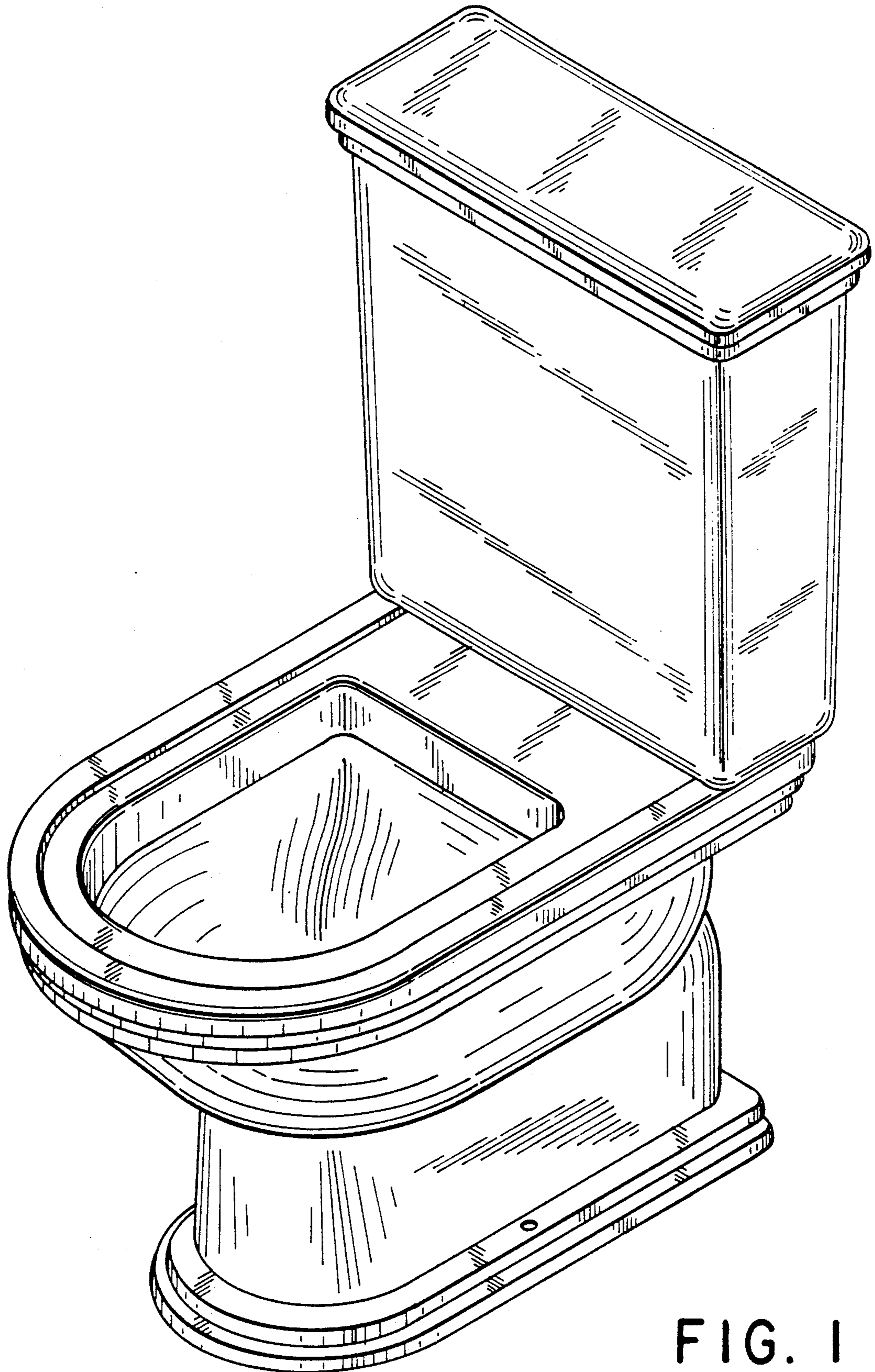


FIG. 1

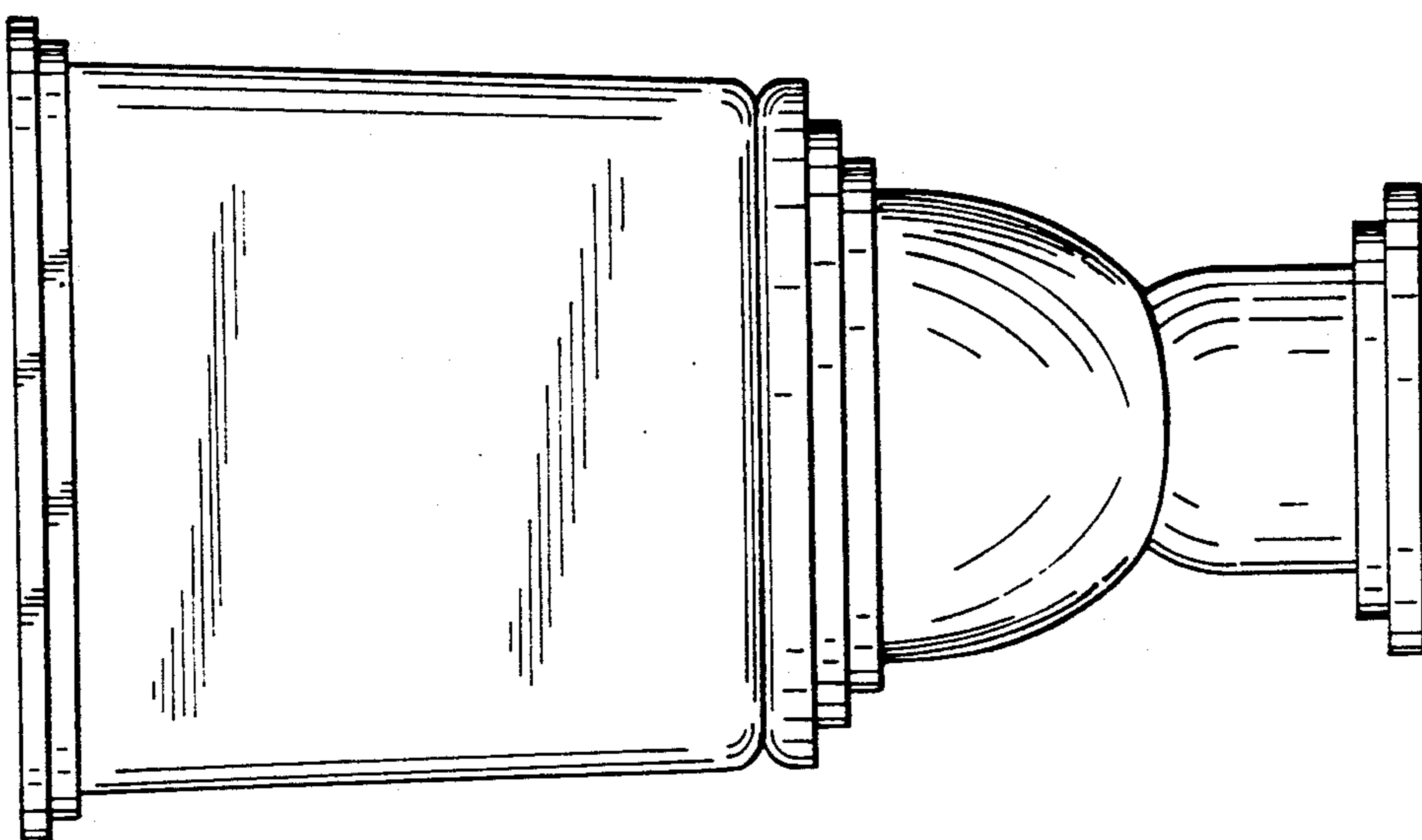


FIG. 2

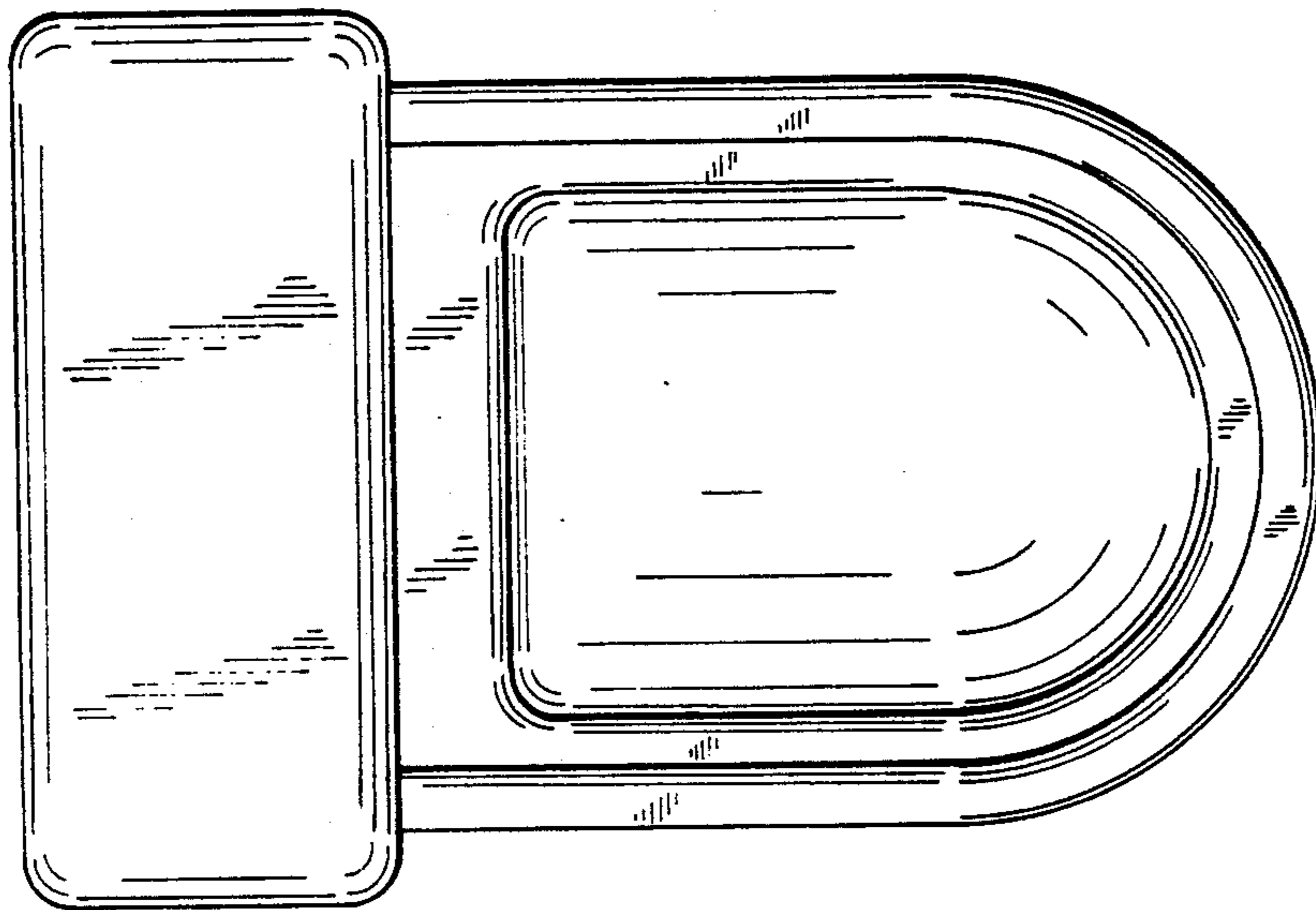


FIG. 3

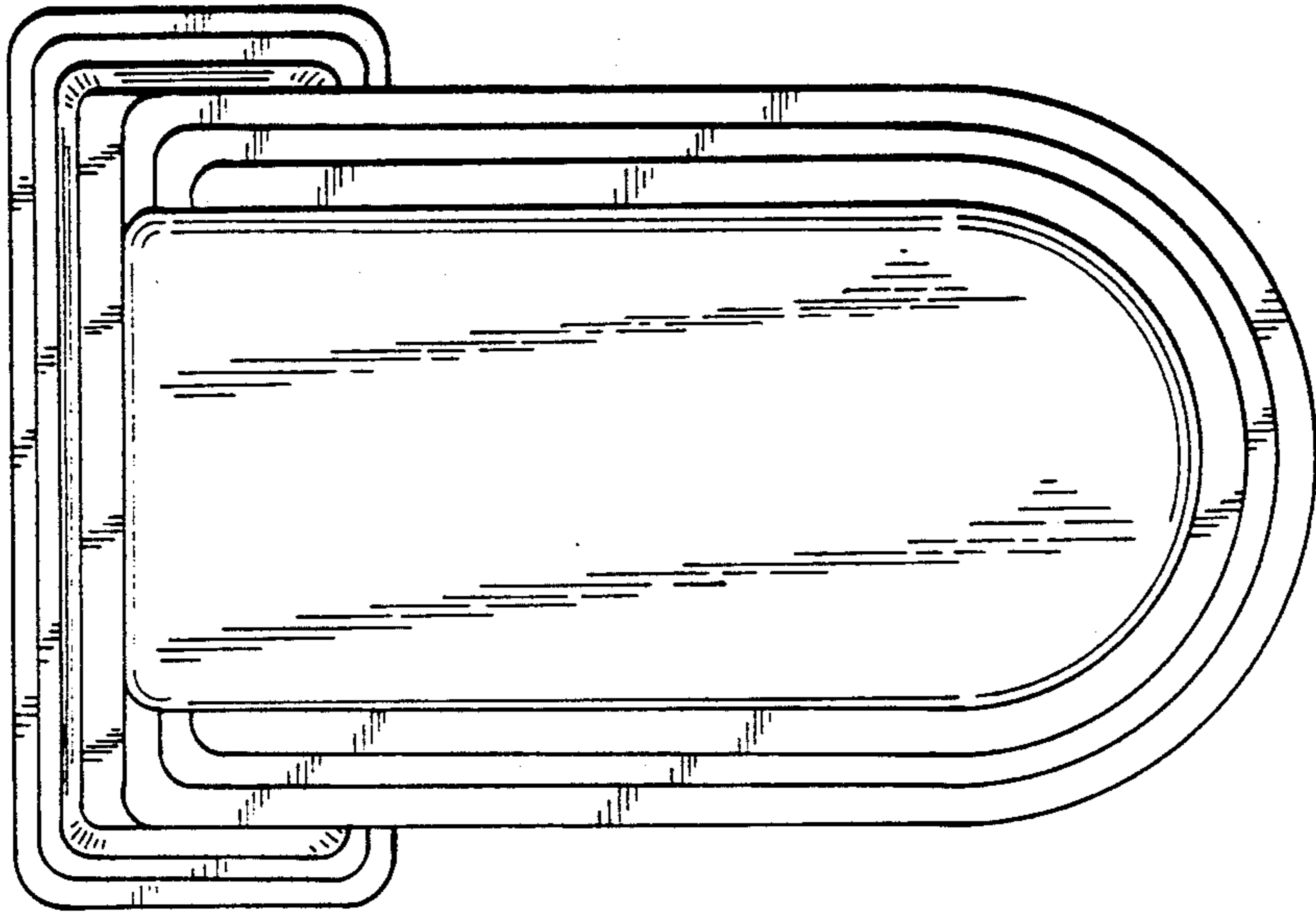


FIG. 5

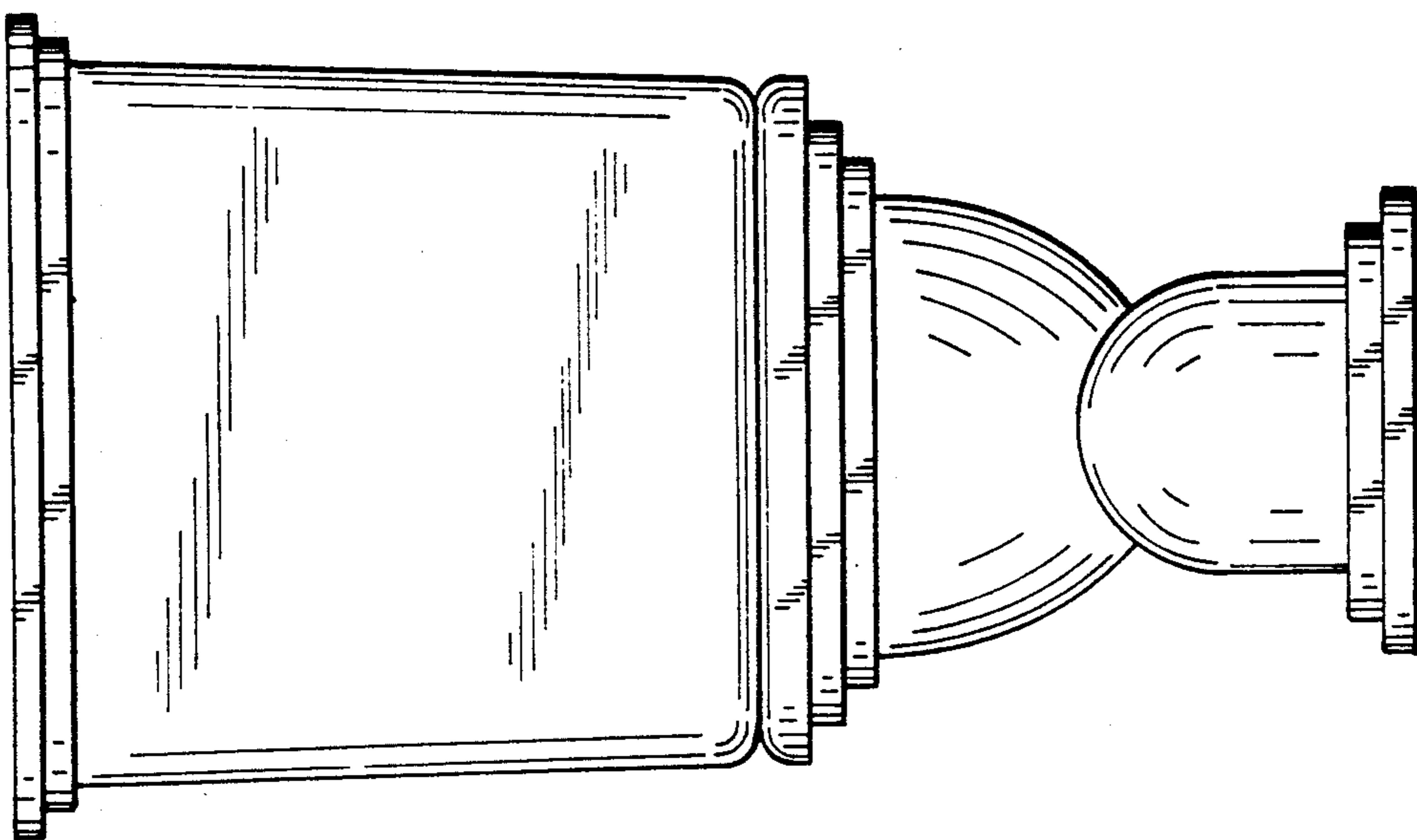


FIG. 4

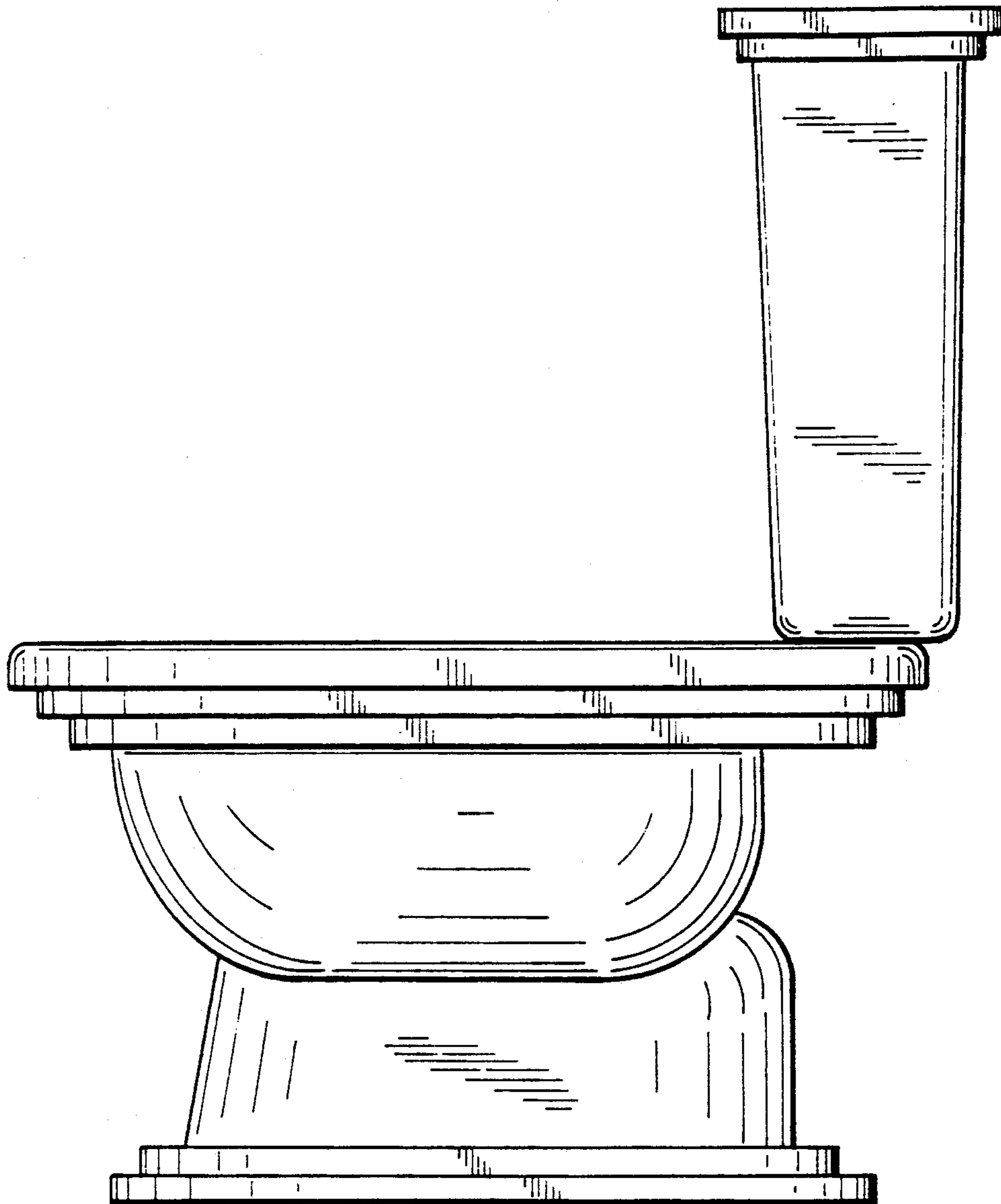


FIG. 6