



US00D323549S

United States Patent [19]

[11] Patent Number: **Des. 323,549**

Haug et al.

[45] Date of Patent: **** Jan. 28, 1992**

[54] FAUCET

[75] Inventors: **Andreas Haug; Thomas W. Schönherr**, both of Stuttgart; **José Delhaes**, Altensteig, both of Fed. Rep. of Germany

[73] Assignee: **Masco Corporation of Indiana**, Taylor, Mich.

[**] Term: **14 Years**

[21] Appl. No.: **304,307**

[22] Filed: **Jan. 30, 1989**

[52] U.S. Cl. **D23/238**

[58] Field of Search **D23/238-243;**
4/191, 192; 137/801

[56] References Cited

U.S. PATENT DOCUMENTS

D. 193,757	10/1962	Armstrong	D23/238
D. 193,922	10/1962	Ross et al.	.	
D. 200,390	2/1965	Staat et al.	D23/238
D. 200,754	3/1965	Landell	D23/238
D. 204,441	4/1966	Harvey et al.	D23/238
D. 219,780	1/1971	Niemann	D23/238
D. 310,257	8/1990	Spangler	D23/238

OTHER PUBLICATIONS

Roma single control lavatory faucet by American Standard from 1983 American Standard brochure. Delta Faucet full line catalog showing Model 522BC, p. 10.

Peerless catalog, Model 8620 (1984).

Moen "Enduring Elegance" 1981 brochure showing Models 4220, 4320, 4695 and 4625, pp. 11 and 12.

New Valley Faucets catalog, p. 4 (1985).

Price Pfister Society Finishes catalog, Model H43-128P.

Primary Examiner—James R. Largen

Attorney, Agent, or Firm—Myron B. Kapustij; Malcolm L. Sutherland; Edgar A. Zarins

[57] CLAIM

The ornamental design for a faucet, as shown and described.

DESCRIPTION

FIG. 1 is a top perspective view of a faucet showing our new design;

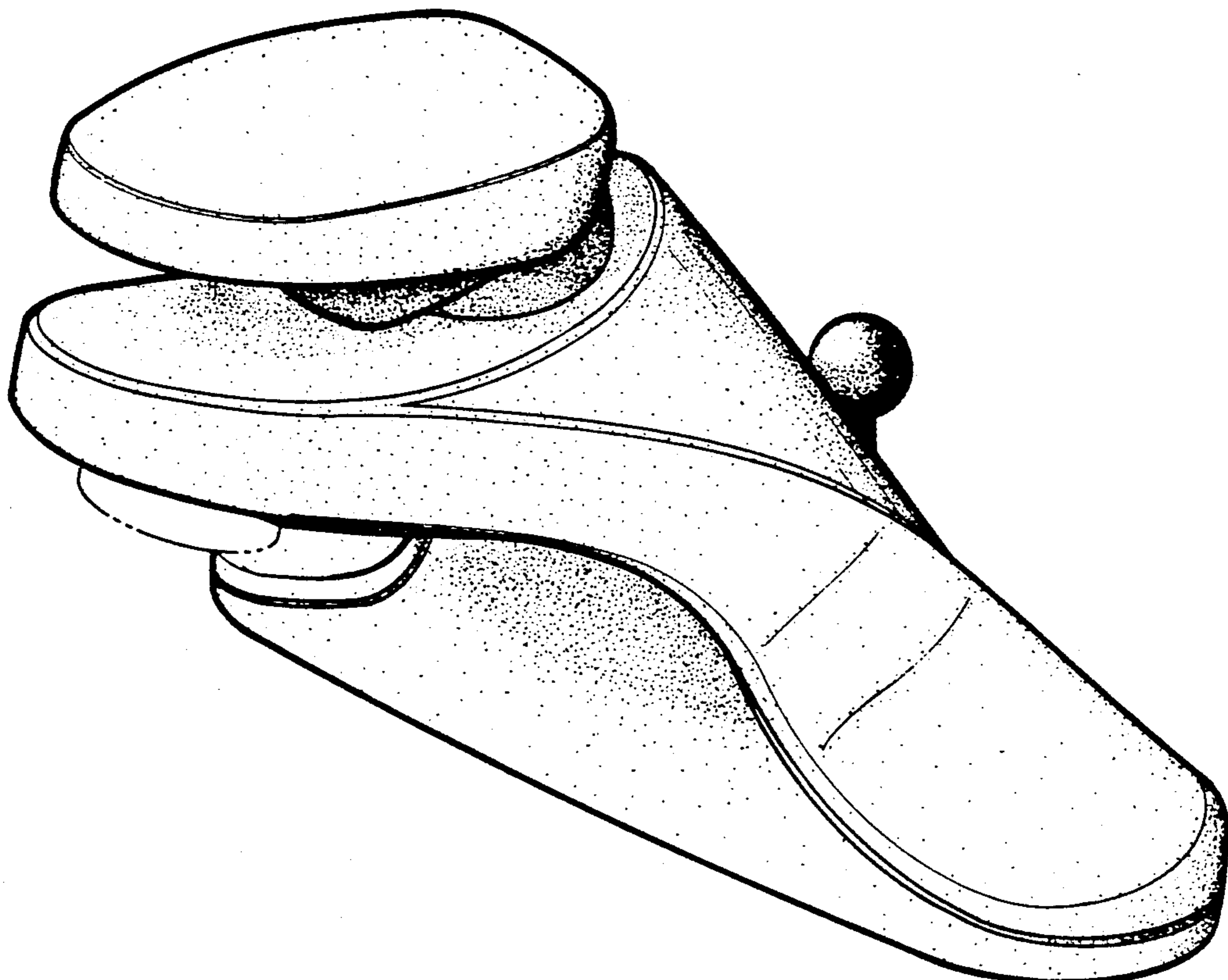
FIG. 2 is a right side elevational view thereof, the left side being a mirror image of the right side;

FIG. 3 is a top plan view thereof;

FIG. 4 is a front elevational view thereof; and

FIG. 5 is a rear elevational view thereof.

The broken line representation of an aerator in FIGS. 1, 2 and 4 is for the purposes of illustration only and forms no part of the claimed design.



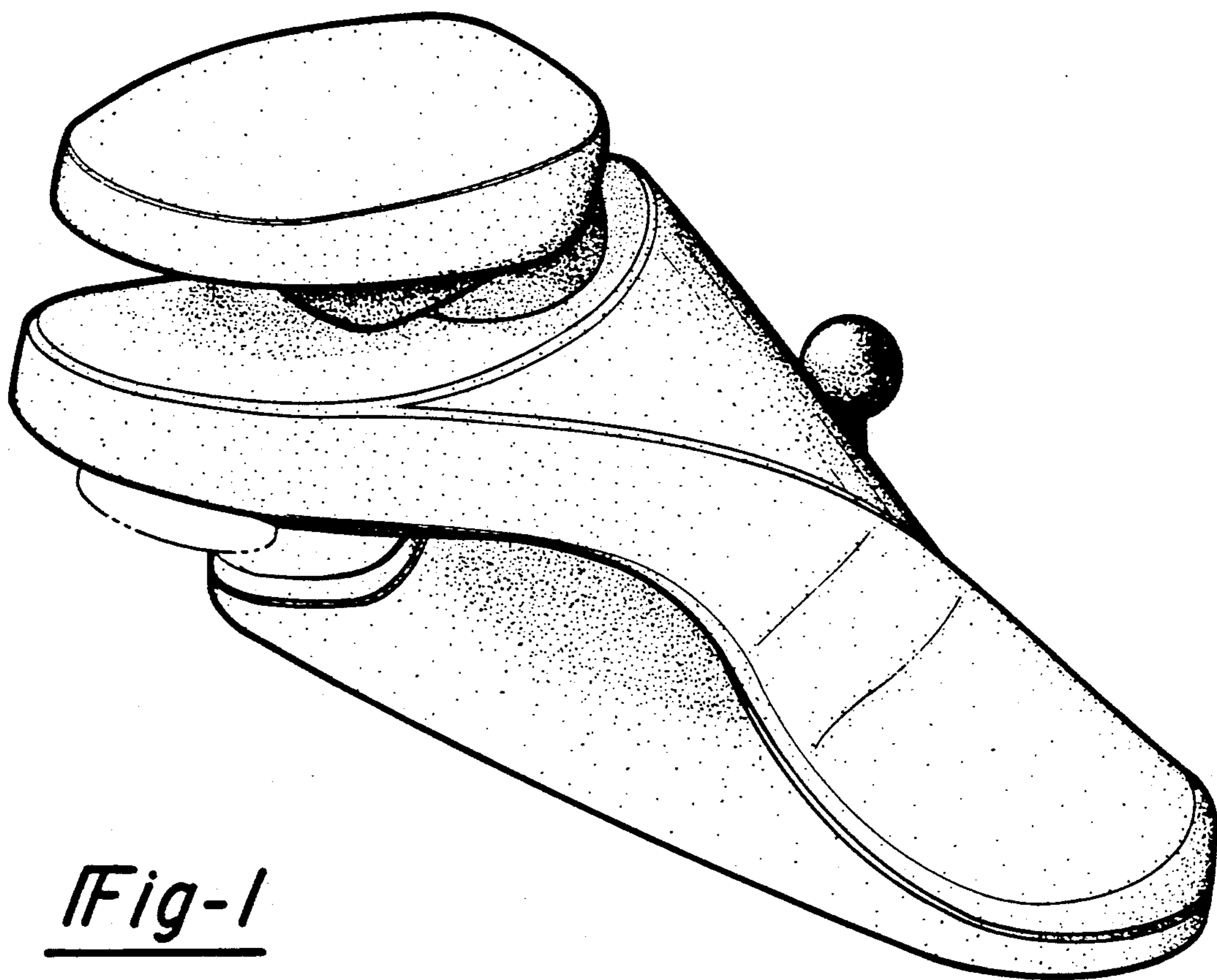


Fig-1

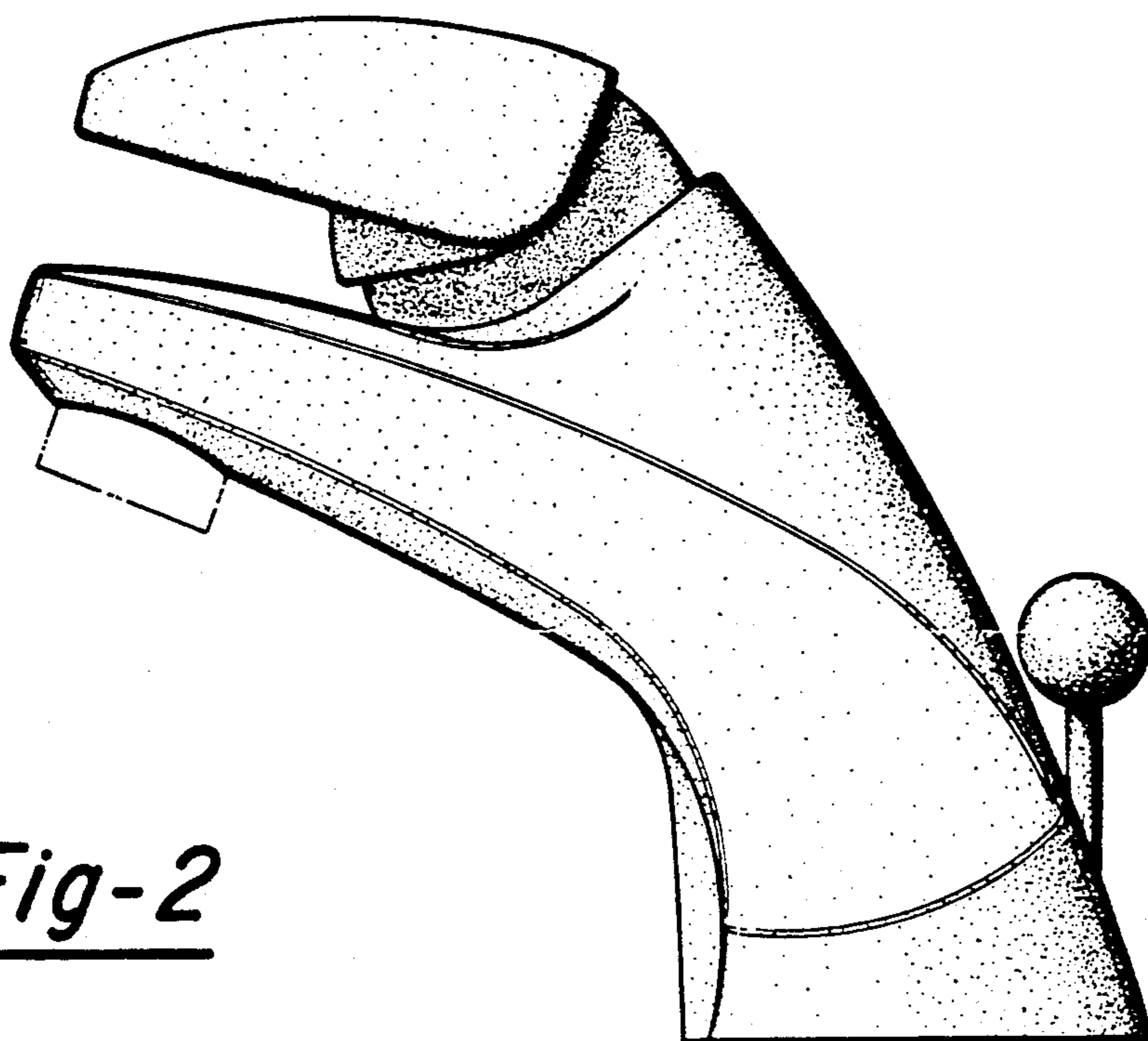


Fig-2

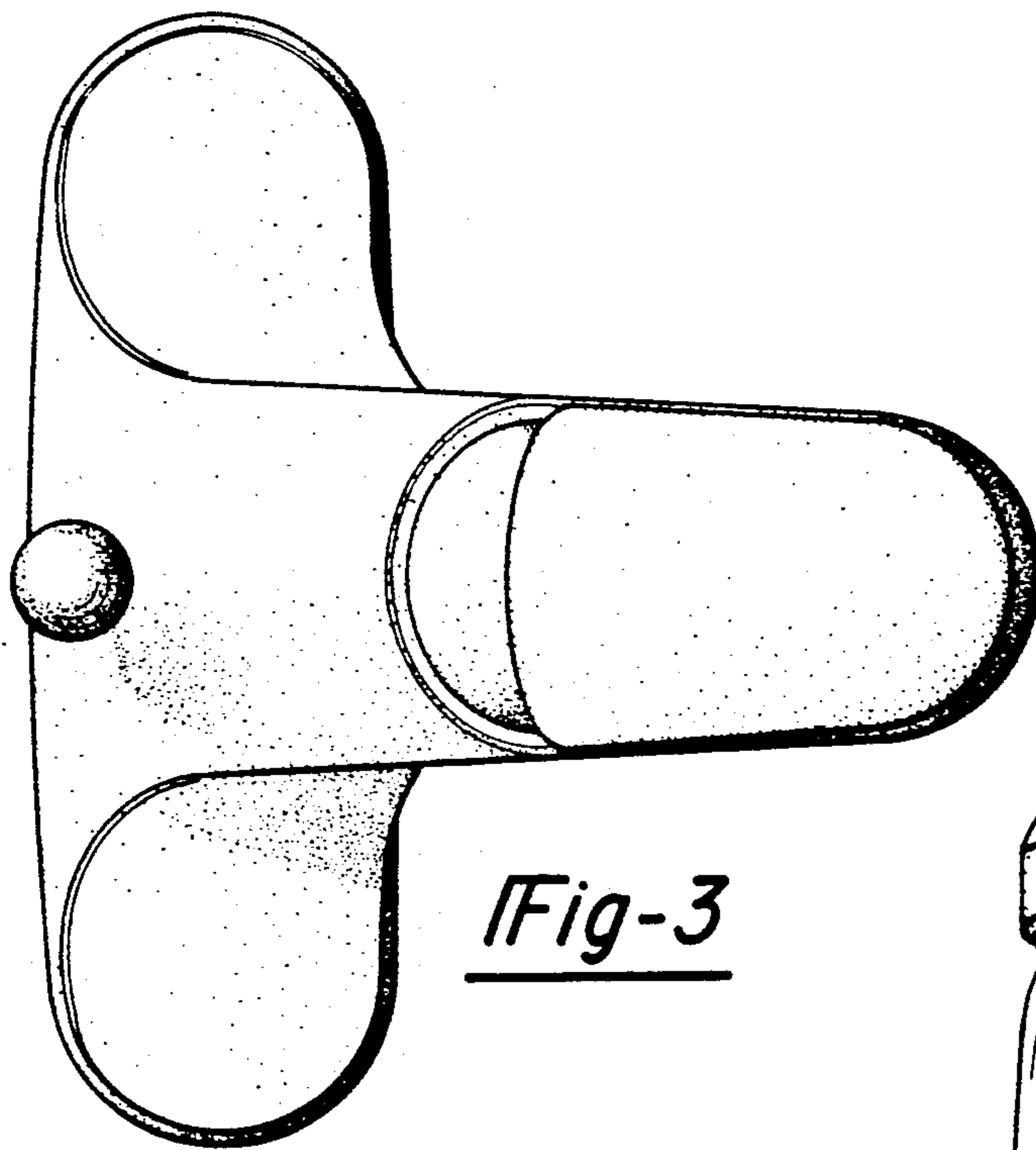


Fig-3

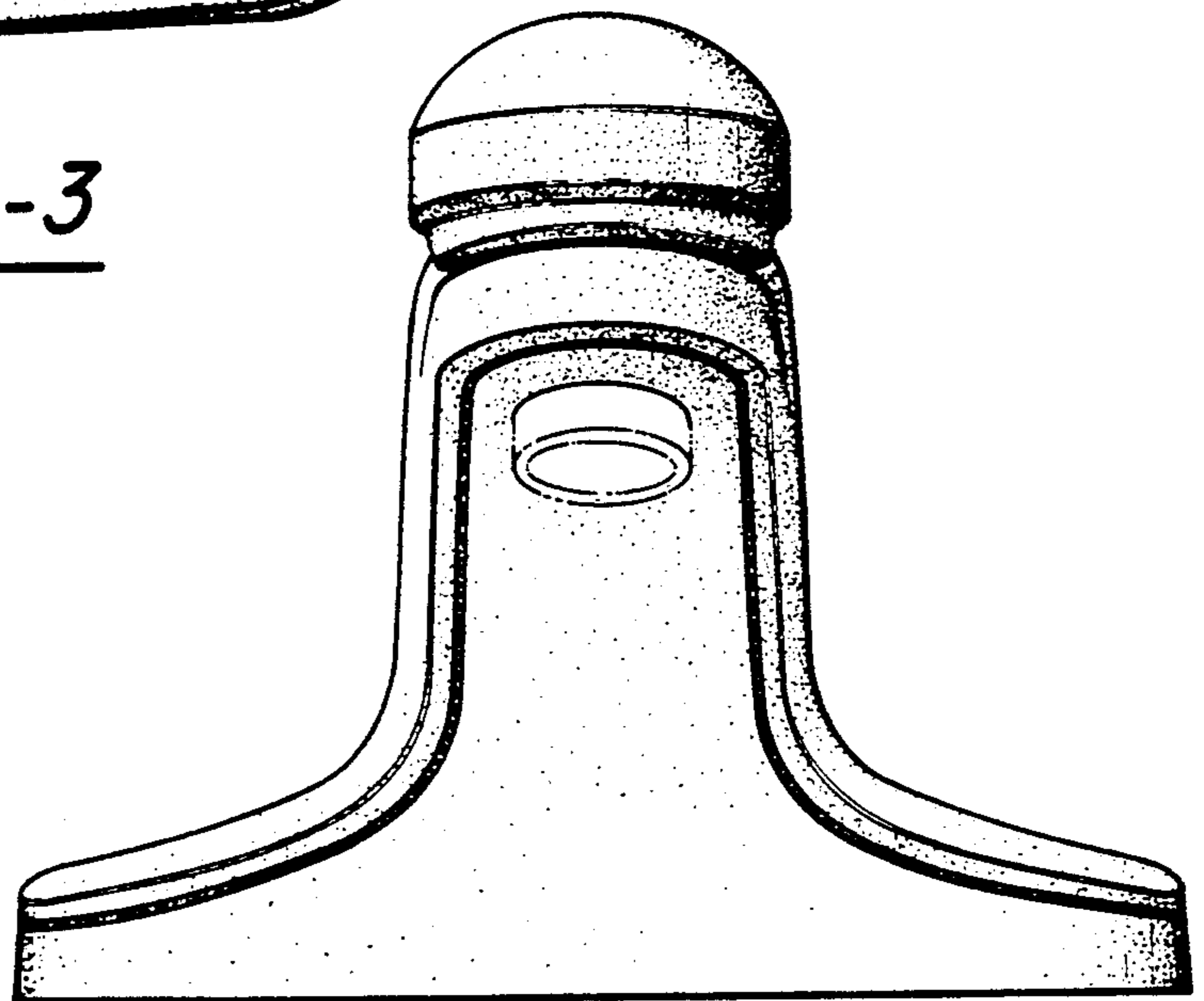


Fig-4

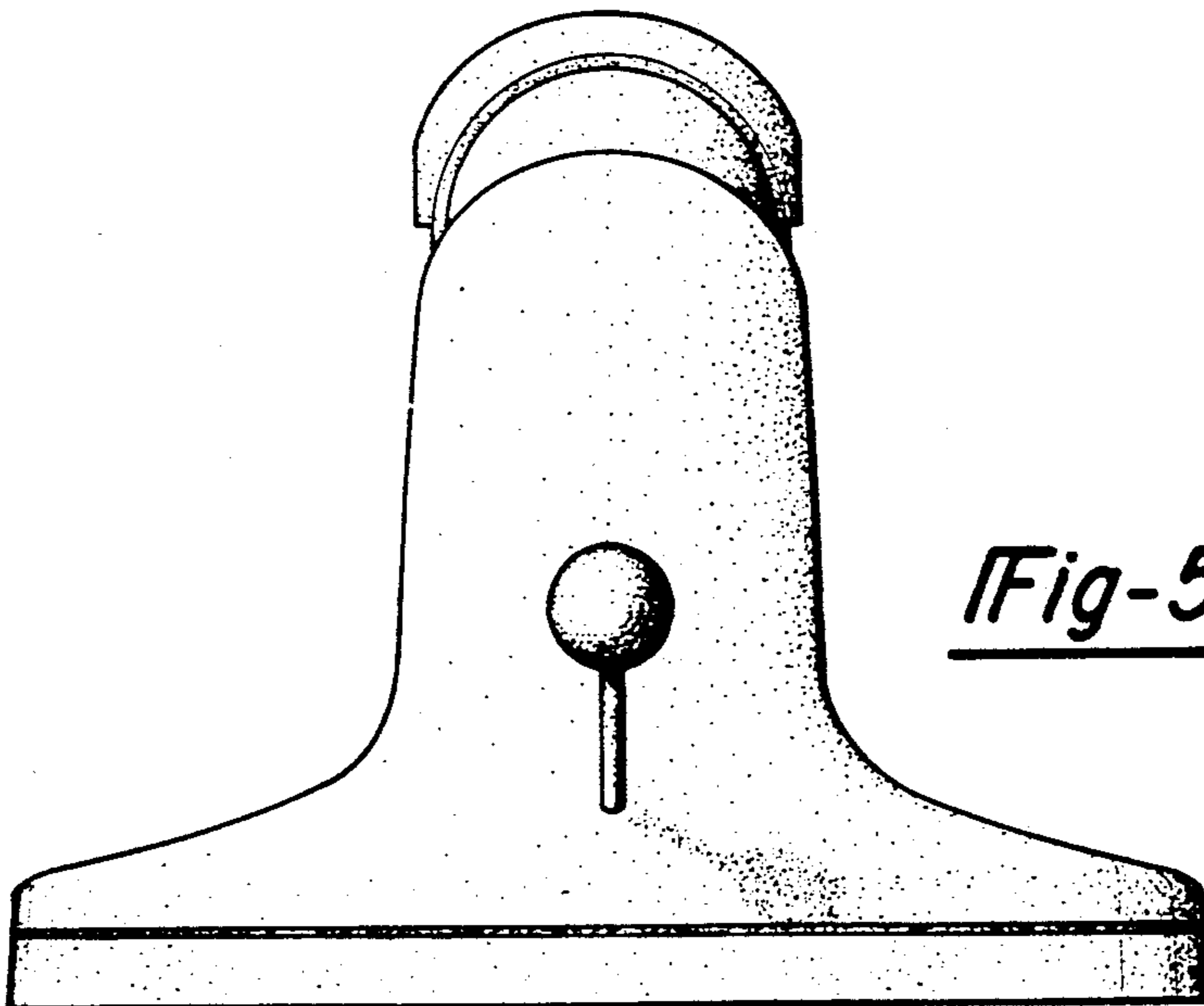


Fig-5