



US00D323548S

United States Patent [19]

[11] Patent Number: **Des. 323,548**

Rawald

[45] Date of Patent: **** Jan. 28, 1992**

[54] **VACUUM BREAKER FOR USE WITH A BIDET**

2,394,911	2/1946	Griswold	137/217
2,791,236	5/1957	Mauer	137/343
2,994,339	8/1961	Massey	137/343
3,232,568	2/1966	Lennon et al.	137/343
4,953,584	9/1990	Vegso	137/218

[75] Inventor: **Kenneth E. Rawald**, Huntington Beach, Calif.

[73] Assignees: **Masco Building Products Corporation**, Taylor, Mich.

[**] Term: **14 Years**

Primary Examiner—James M. Gandy
Assistant Examiner—Lisa Lichtenstein
Attorney, Agent, or Firm—Myron B. Kapustij; Leon E. Redman; Malcolm L. Sutherland

[21] Appl. No.: **456,126**

[57] **CLAIM**

[22] Filed: **Dec. 14, 1989**

The ornamental design for a vacuum breaker for use with a bidet, as shown and described.

[52] U.S. Cl. **D23/235**

DESCRIPTION

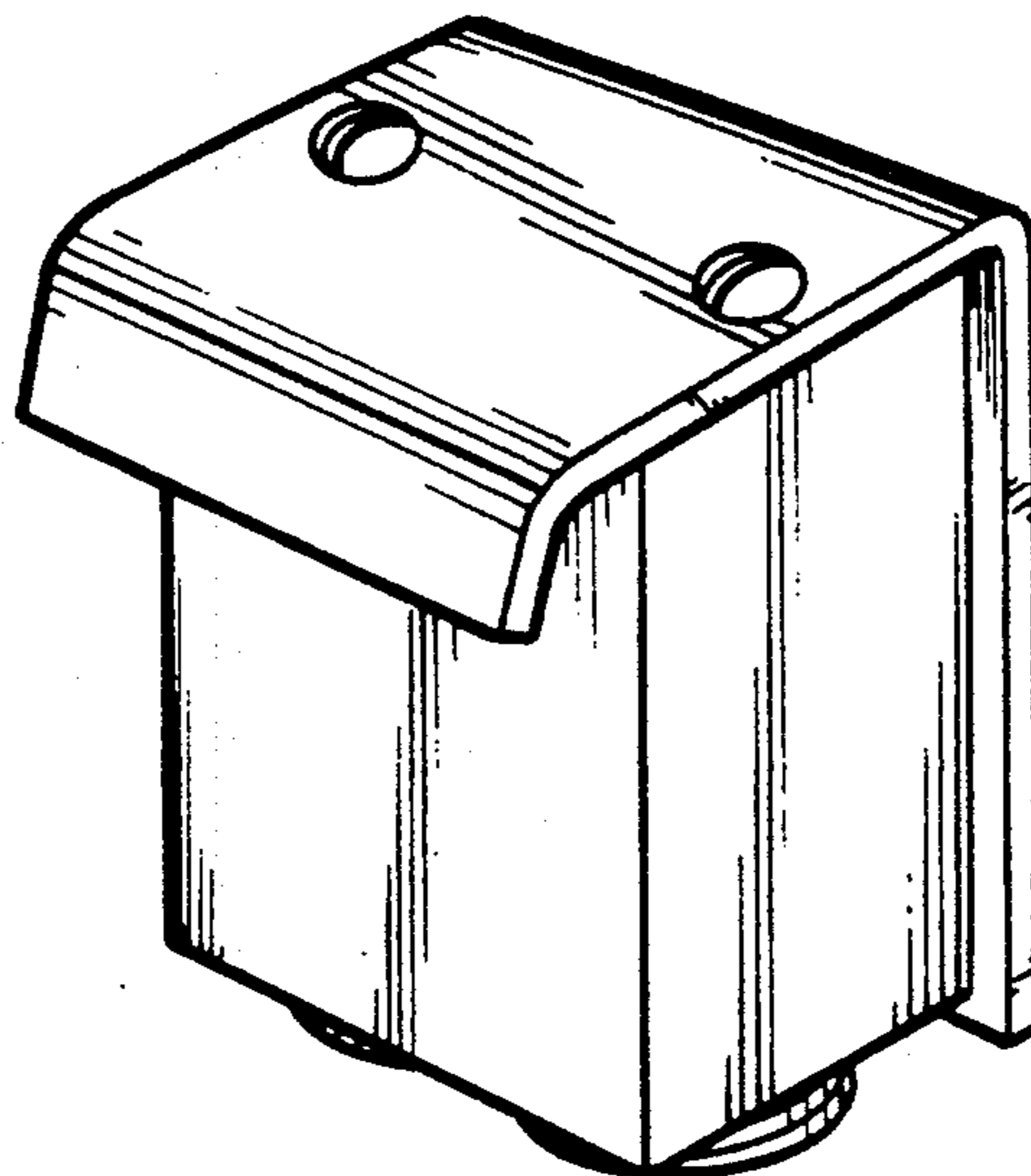
[58] Field of Search **D23/233-237, D23/243-249; 137/217, 218, 343**

FIG. 1 is a rear perspective view of a vacuum breaker for use with a bidet showing my new design; FIG. 2 is a front elevational view thereof; FIG. 3 is a left side elevational view thereof, the right side being a mirror image thereof; FIG. 4 is a rear elevational view thereof; FIG. 5 is a top plan view thereof; and FIG. 6 is a front perspective view thereof.

[56] **References Cited**

U.S. PATENT DOCUMENTS

D. 277,599	2/1985	Arnold et al.	D23/235
D. 278,740	5/1985	Bolgert	D23/235
D. 309,173	7/1990	Stipe	D23/233



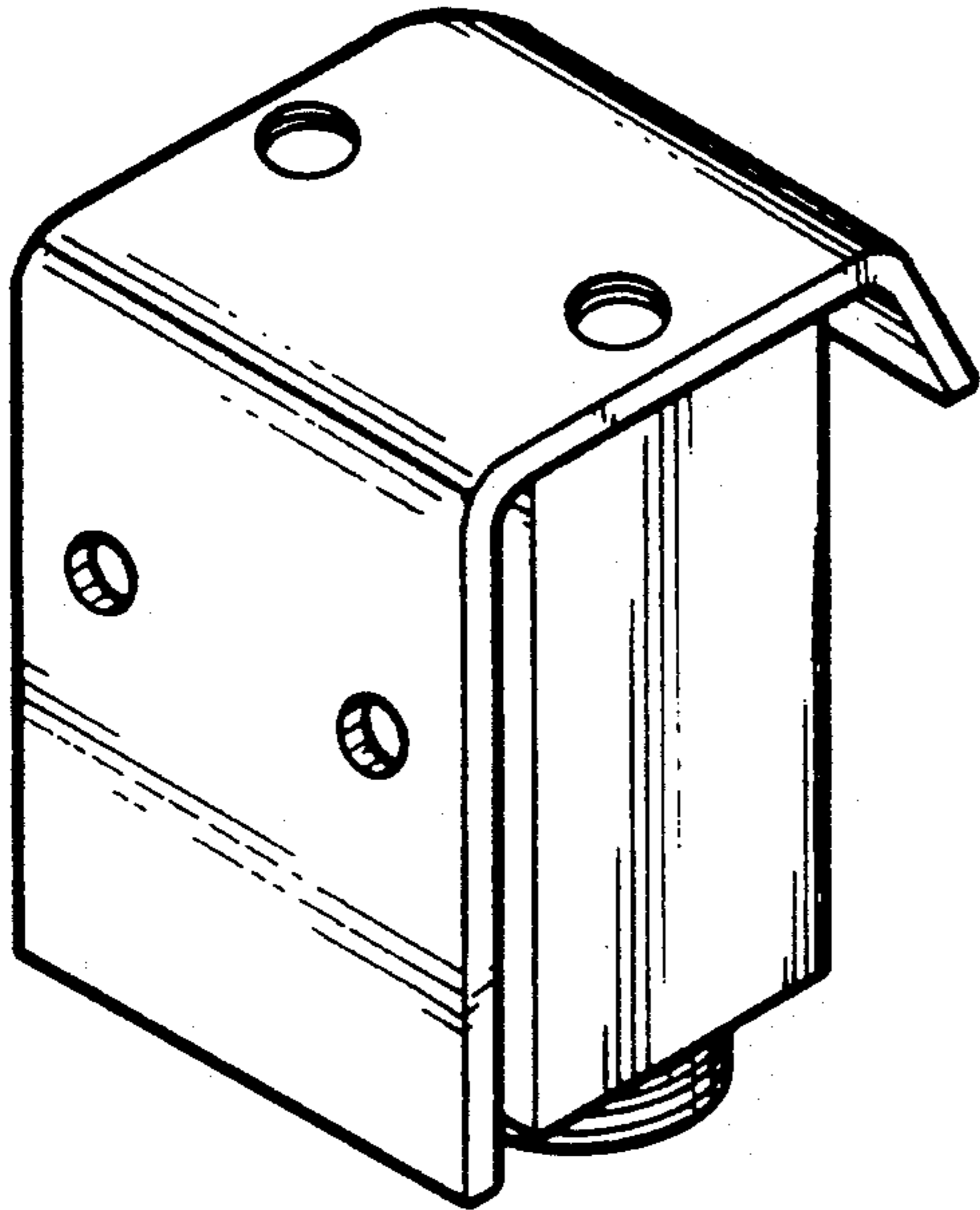


Fig-1

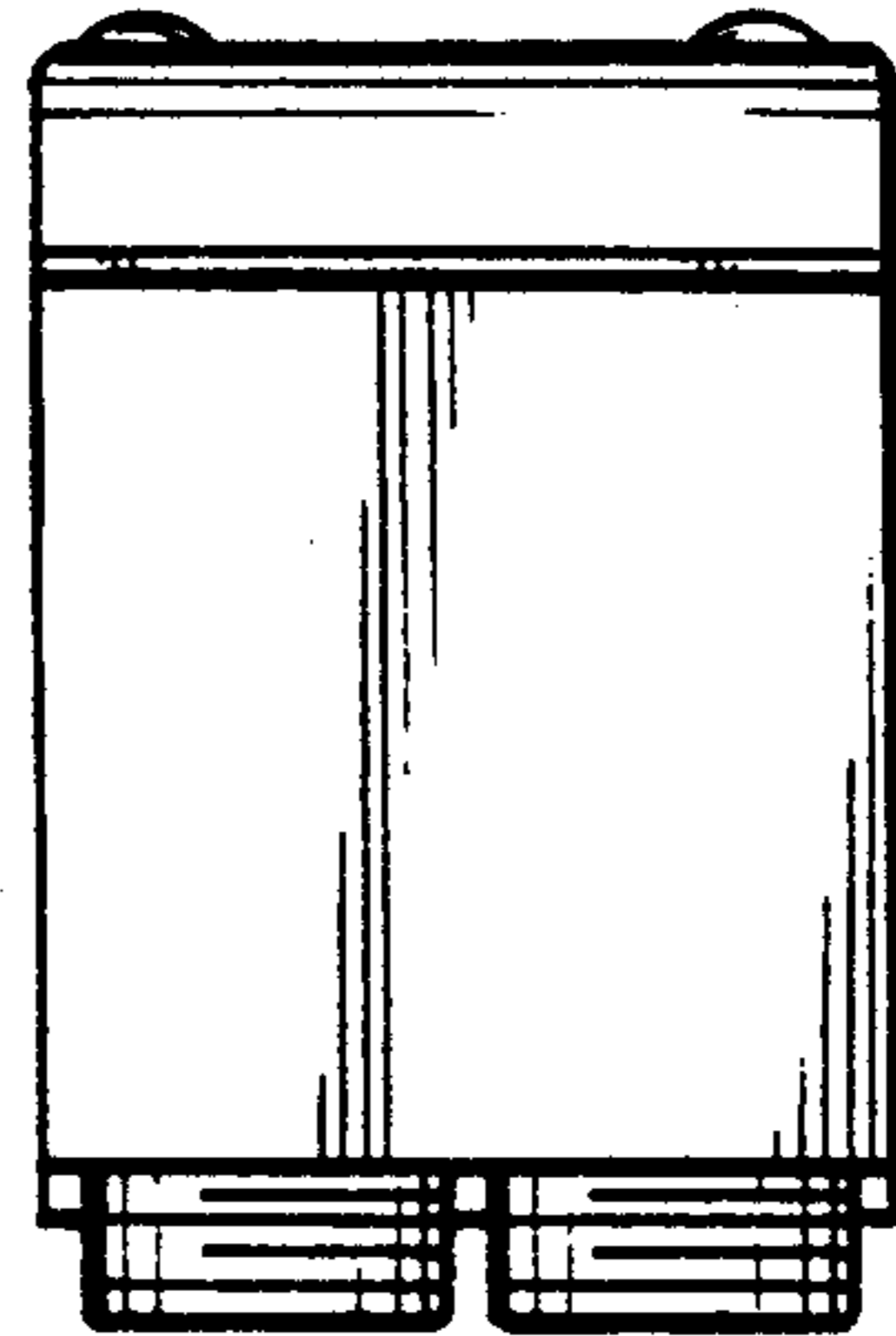


Fig-2

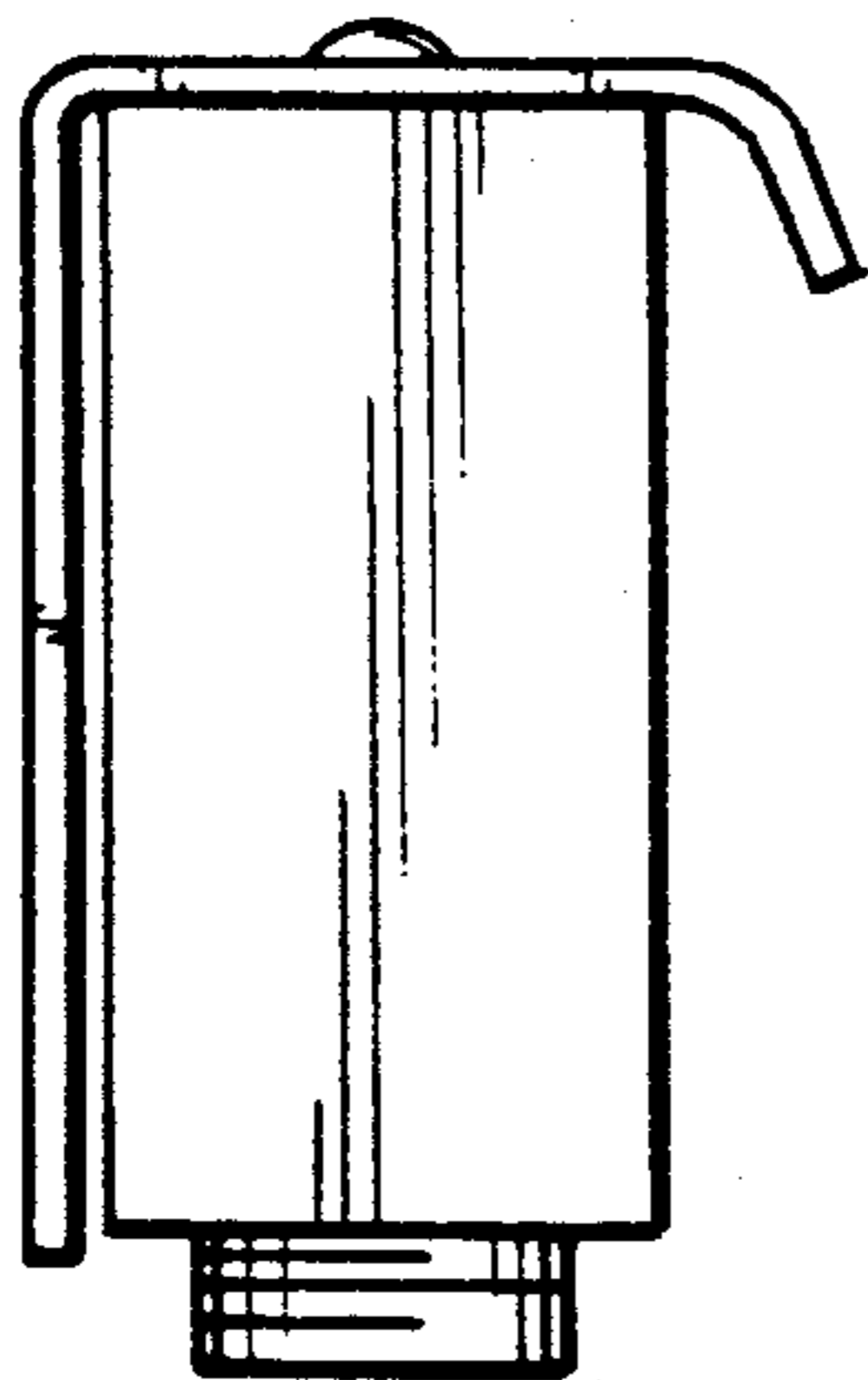


Fig-3

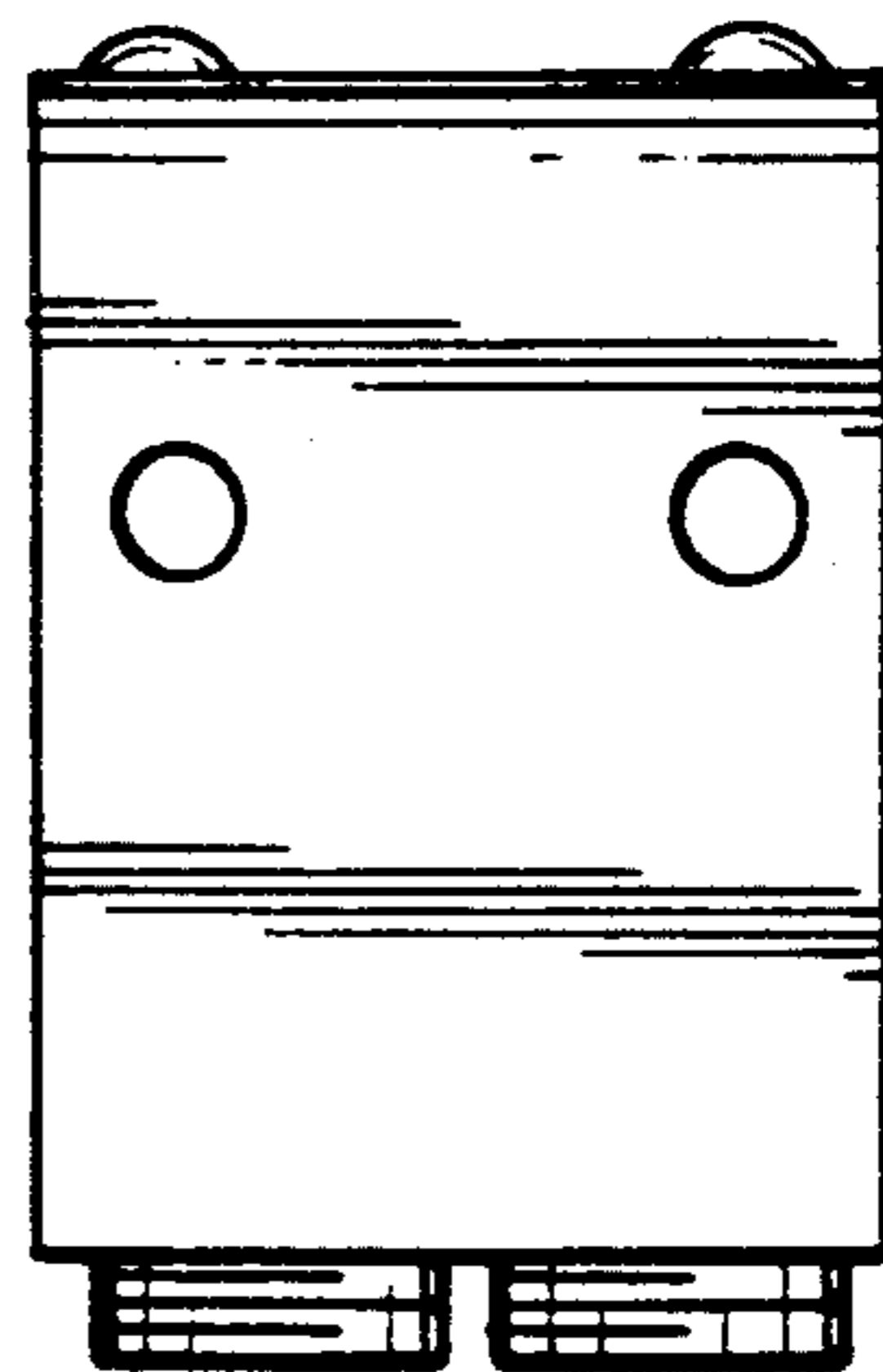


Fig-4

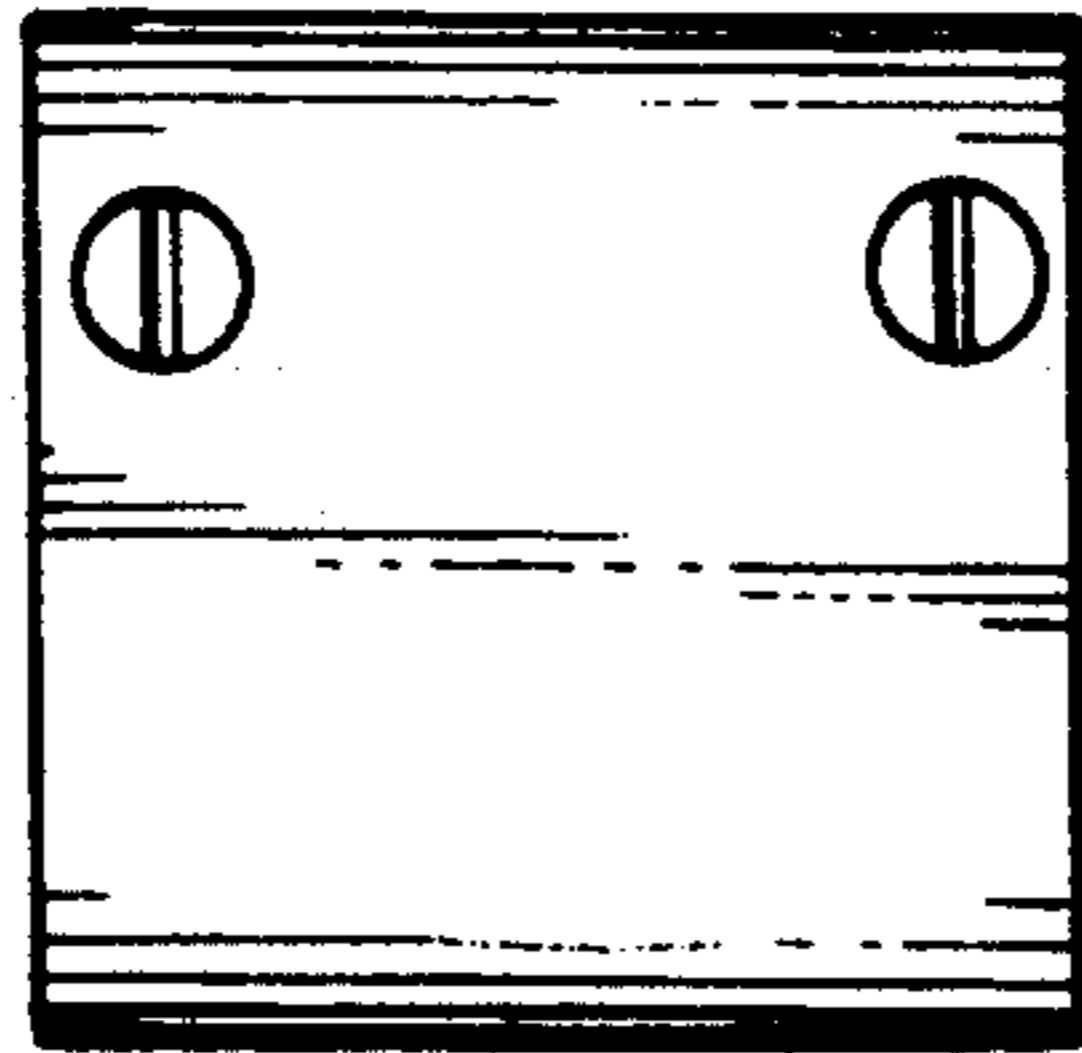


Fig-5

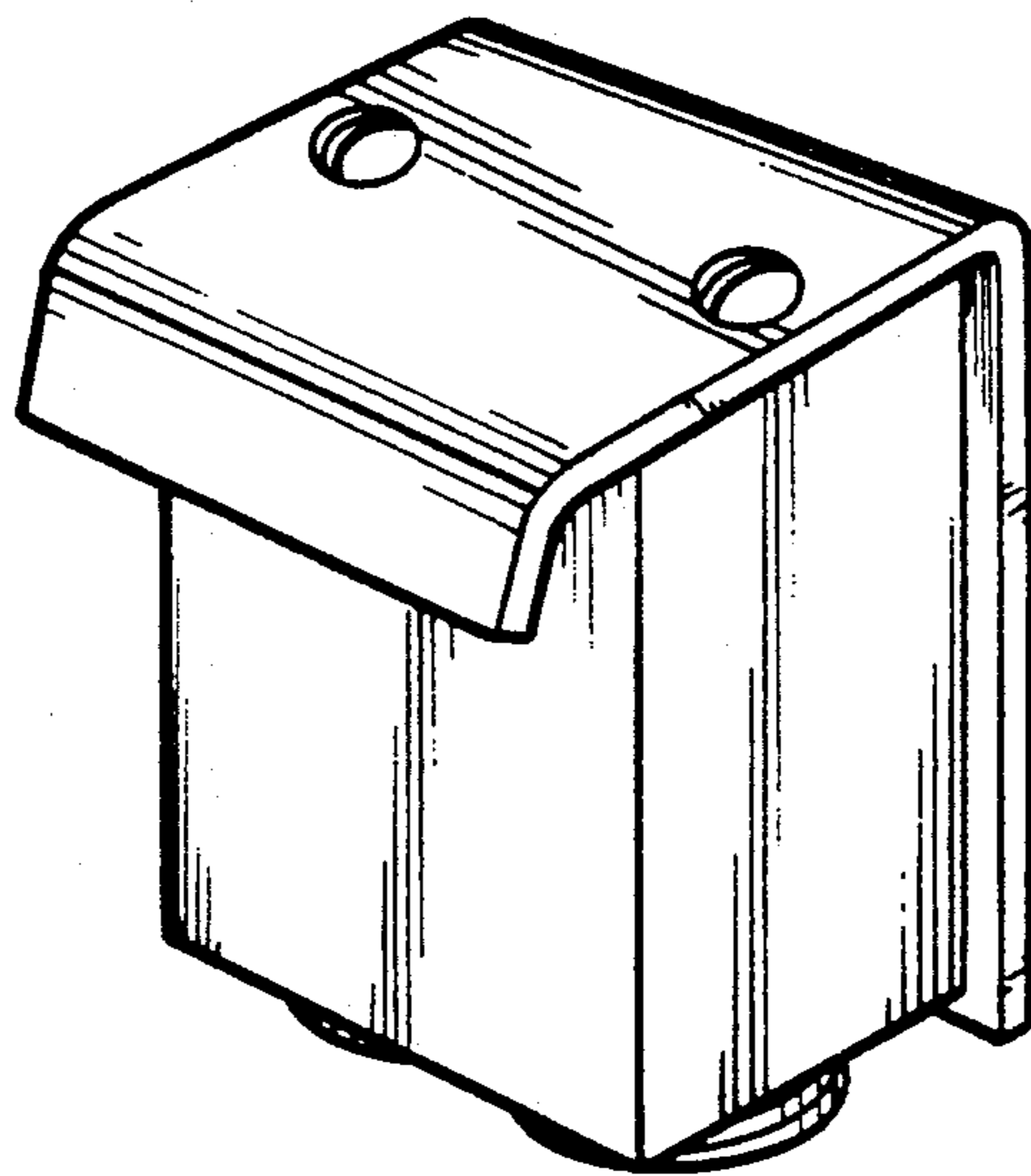


Fig-6