



US00D323547S

# United States Patent [19]

Widenmann

[11] Patent Number: **Des. 323,547**

[45] Date of Patent: **\*\* Jan. 28, 1992**

[54] **ORNAMENTAL DESIGN FOR A PILOT-CONTROLLED PRESSURE-LIMITING VALVE**

[76] Inventor: **Karl Widenmann, Jahnstrasse 1, 7928 Giengen/Brenz, Fed. Rep. of Germany**

[\*\*] Term: **14 Years**

[21] Appl. No.: **79,909**

[22] Filed: **Jul. 31, 1987**

[52] U.S. Cl. .... **D23/235**

[58] Field of Search ..... **D23/235; 137/489, 491, 137/492, 492.5**

3,512,549	5/1970	Wiegand .....	137/489
4,112,704	9/1978	Kaneko .....	137/491
4,114,637	9/1978	Johnson .....	137/491
4,219,017	8/1980	Shamlan et al. ....	137/491
4,672,995	6/1987	Powell .....	137/489
4,771,806	9/1988	Widenmann .....	137/491

*Primary Examiner*—James R. Largen  
*Assistant Examiner*—Demetrius Reynolds

### [57] CLAIM

The ornamental design for a pilot-controlled, pressure-limiting valve, as shown and described.

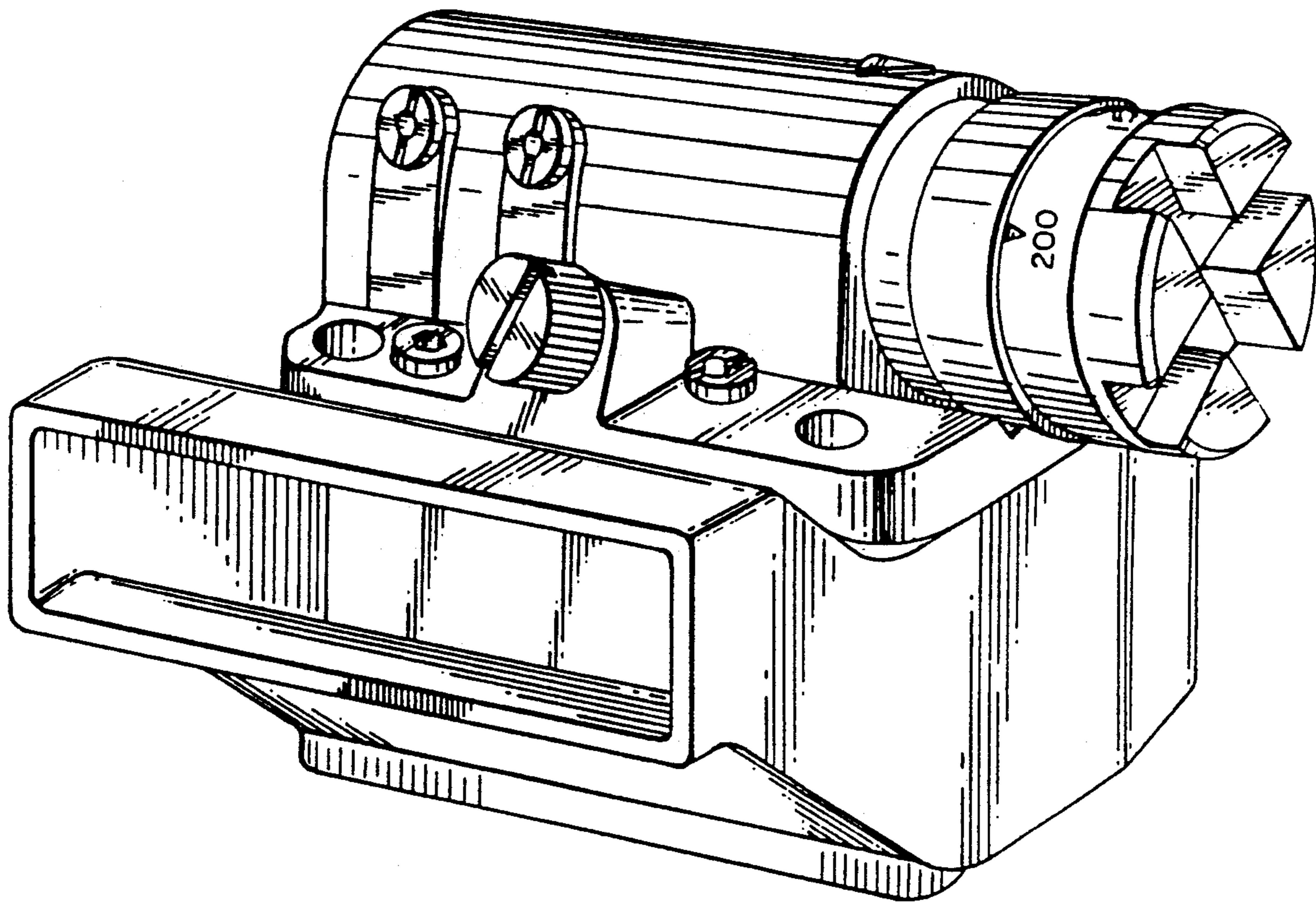
### DESCRIPTION

FIG. 1 is a perspective view taken from the top, front and right side of a pilot-controlled pressure-limiting valve showing my new design;  
 FIG. 2 is a top plan view thereof;  
 FIG. 3 is a right side elevational view thereof;  
 FIG. 4 is a rear elevational view thereof;  
 FIG. 5 is a left side elevational view thereof;  
 FIG. 6 is a front elevational view thereof;  
 FIG. 7 is a bottom plan view thereof.  
 The broken line representations of hold down bolts in FIG. 3 are for purposes of illustration only and form no part of the claimed design.

[56] **References Cited**

**U.S. PATENT DOCUMENTS**

D. 103,582	3/1937	Murphy .....	D23/235
D. 162,055	2/1951	Matasovic .....	D23/235
D. 288,469	2/1987	Pryor .....	D23/235
2,500,888	3/1950	Wilhelm .....	137/491
3,106,936	10/1963	Trautman .....	137/491
3,211,174	10/1965	Uleise et al. ....	137/489
3,373,763	3/1968	Smilges et al. ....	137/489
3,399,696	9/1968	Shaw .....	137/489



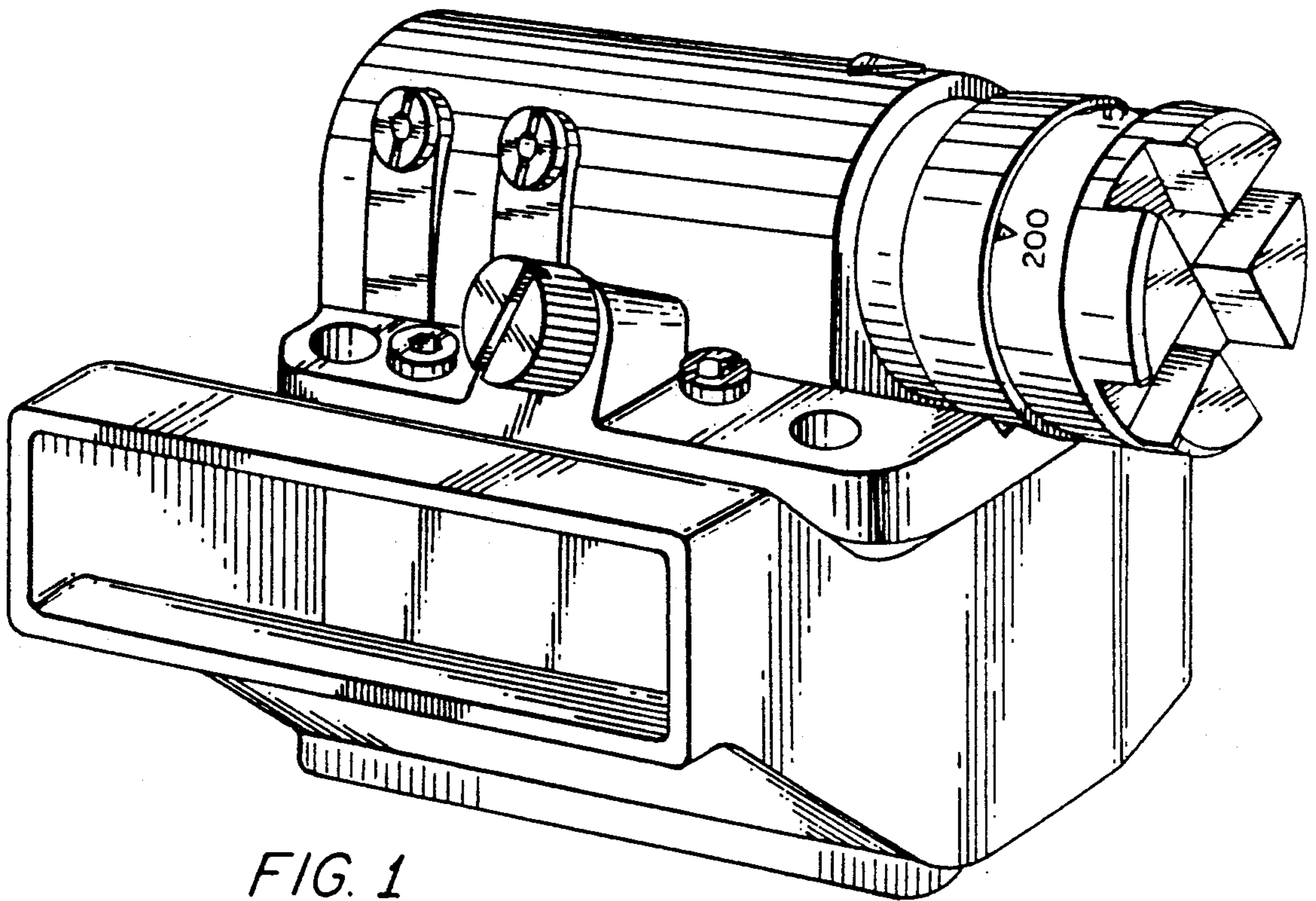


FIG. 1

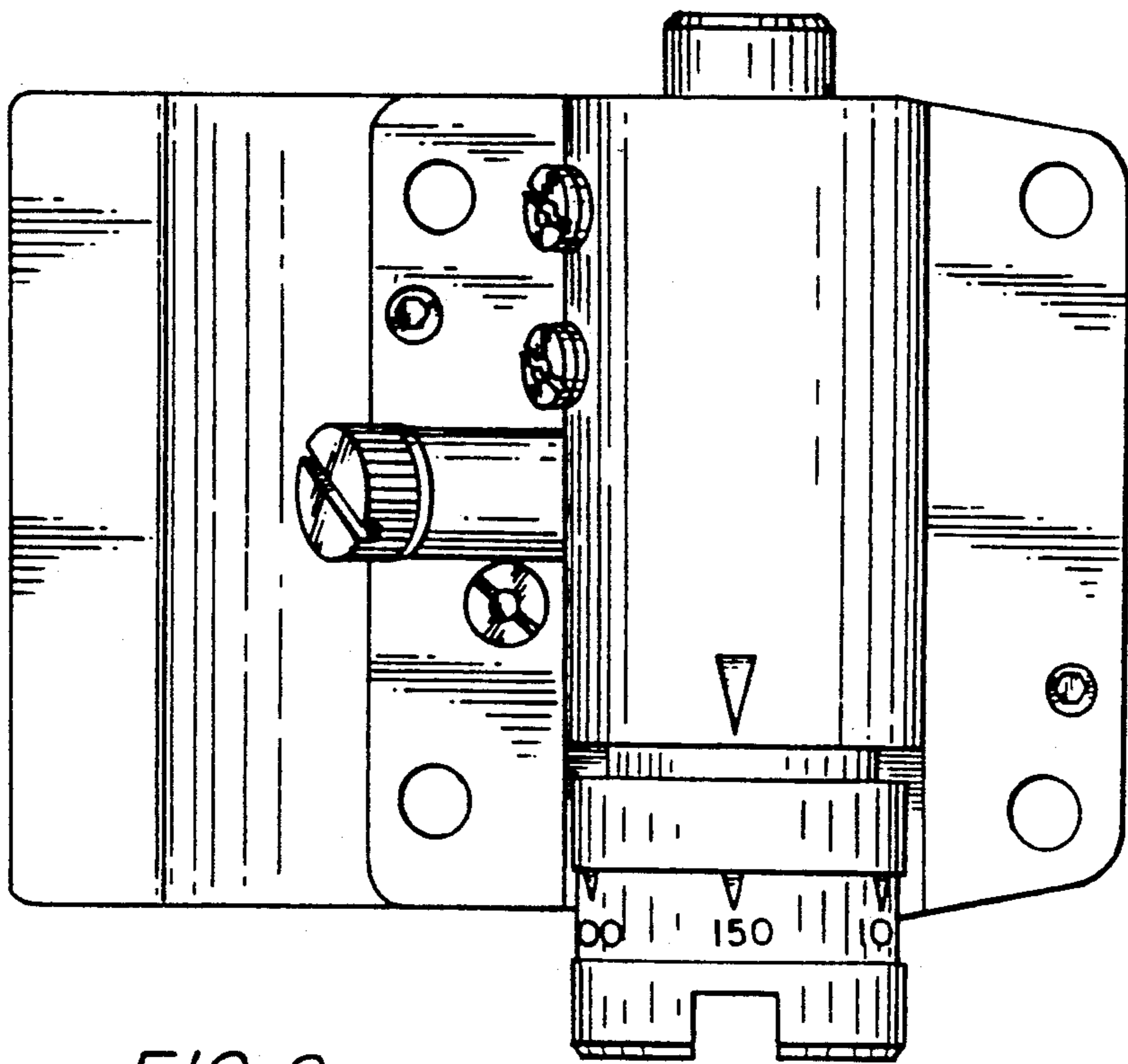


FIG. 2

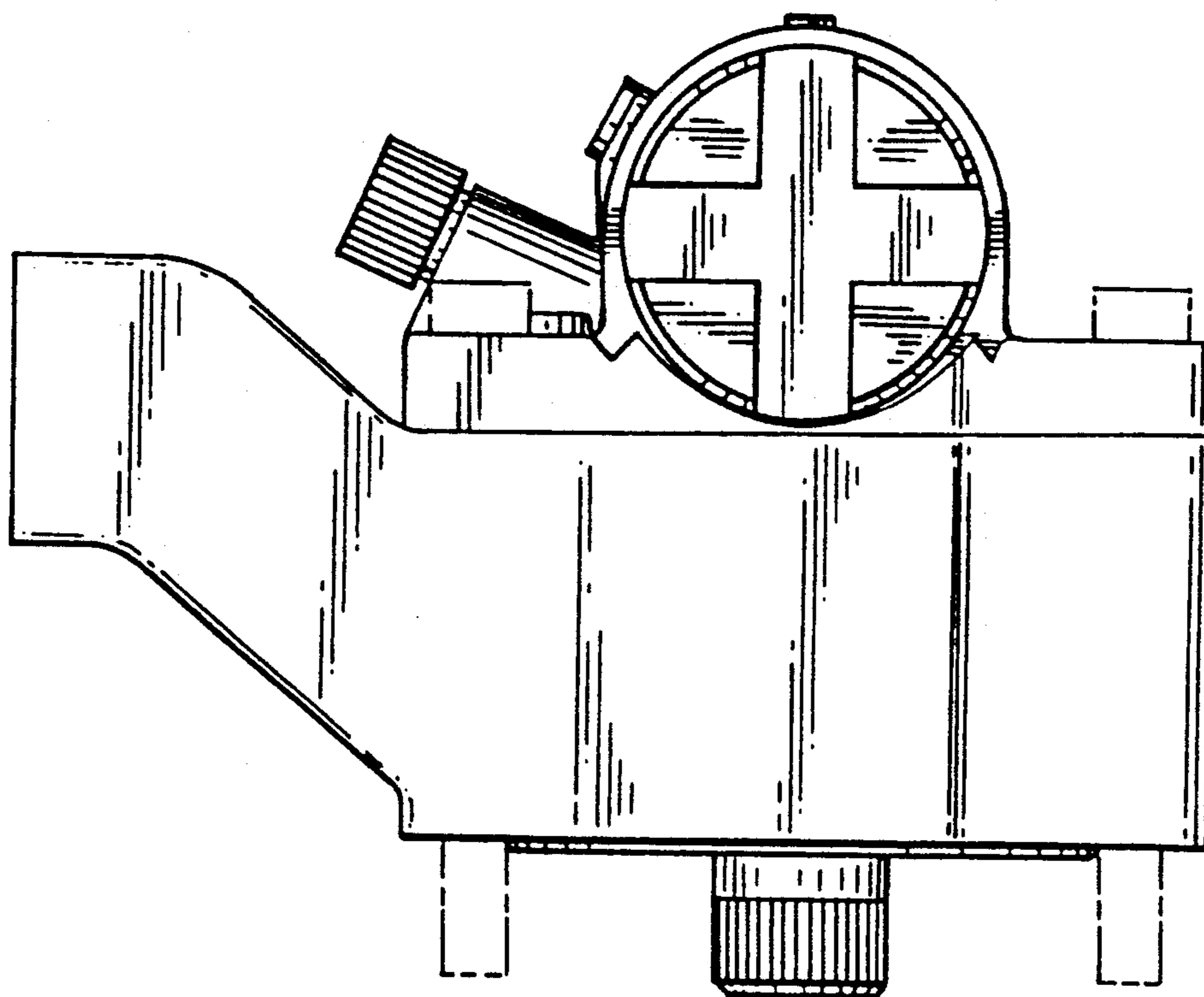


FIG. 3

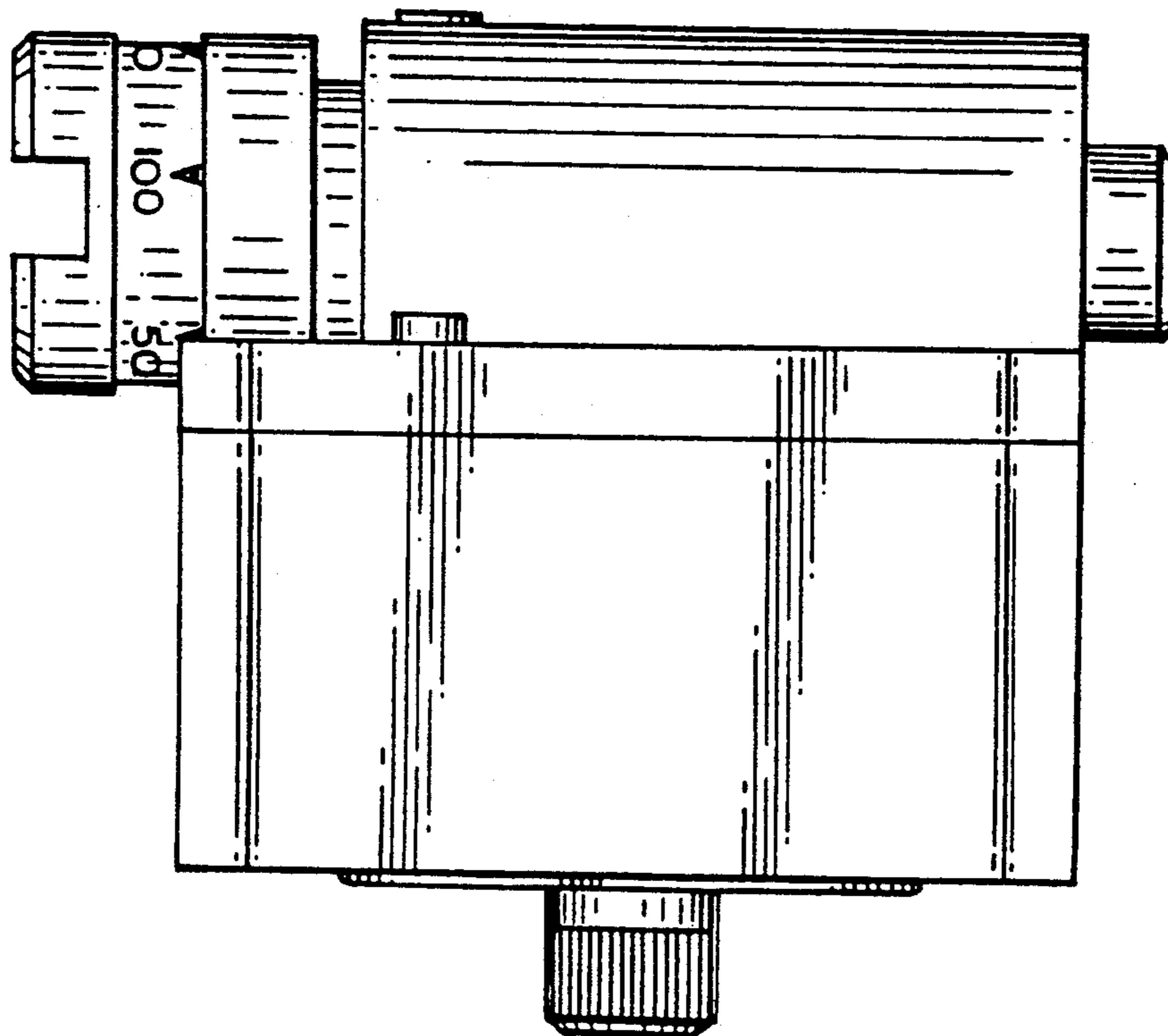


FIG. 4

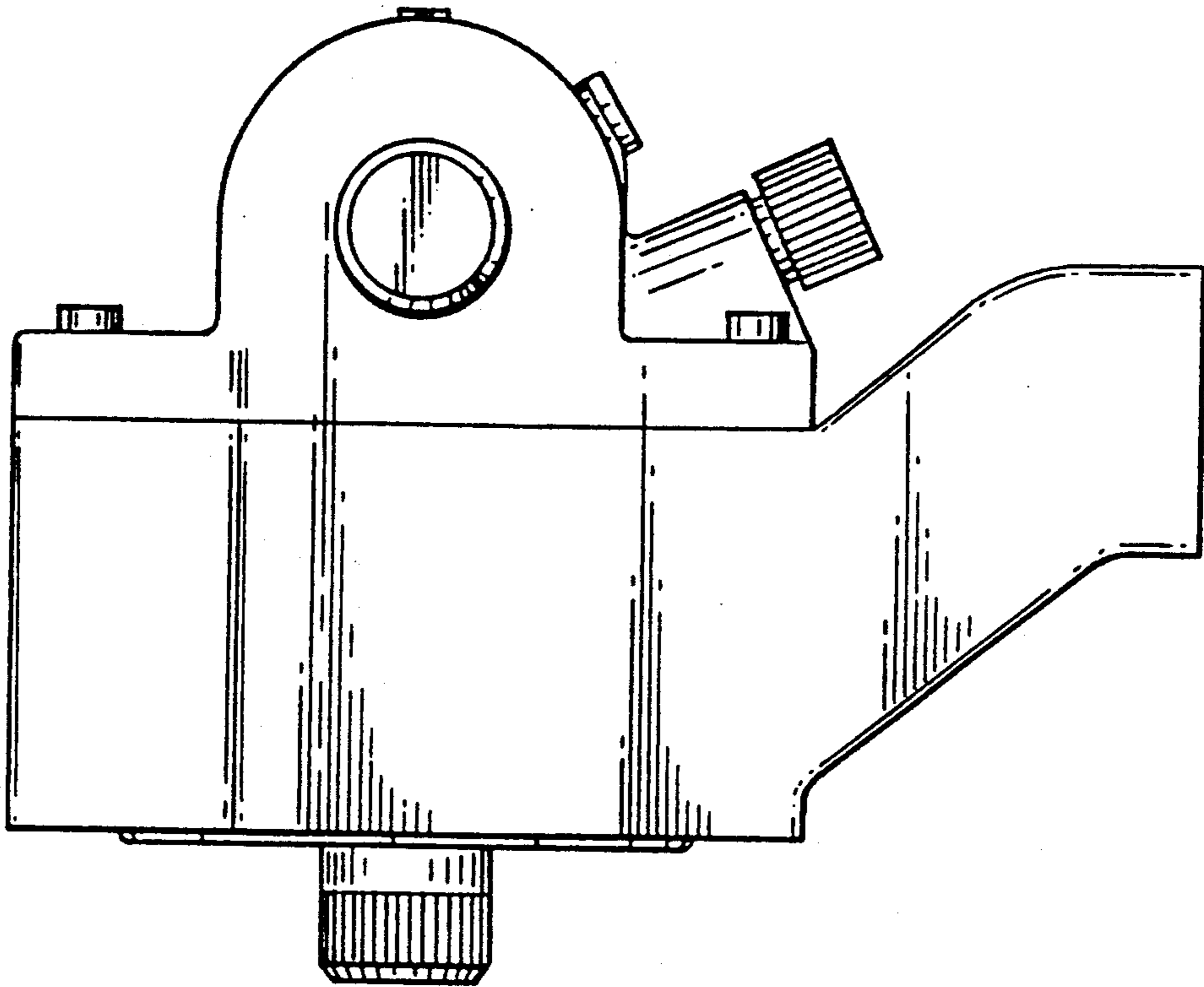


FIG. 5

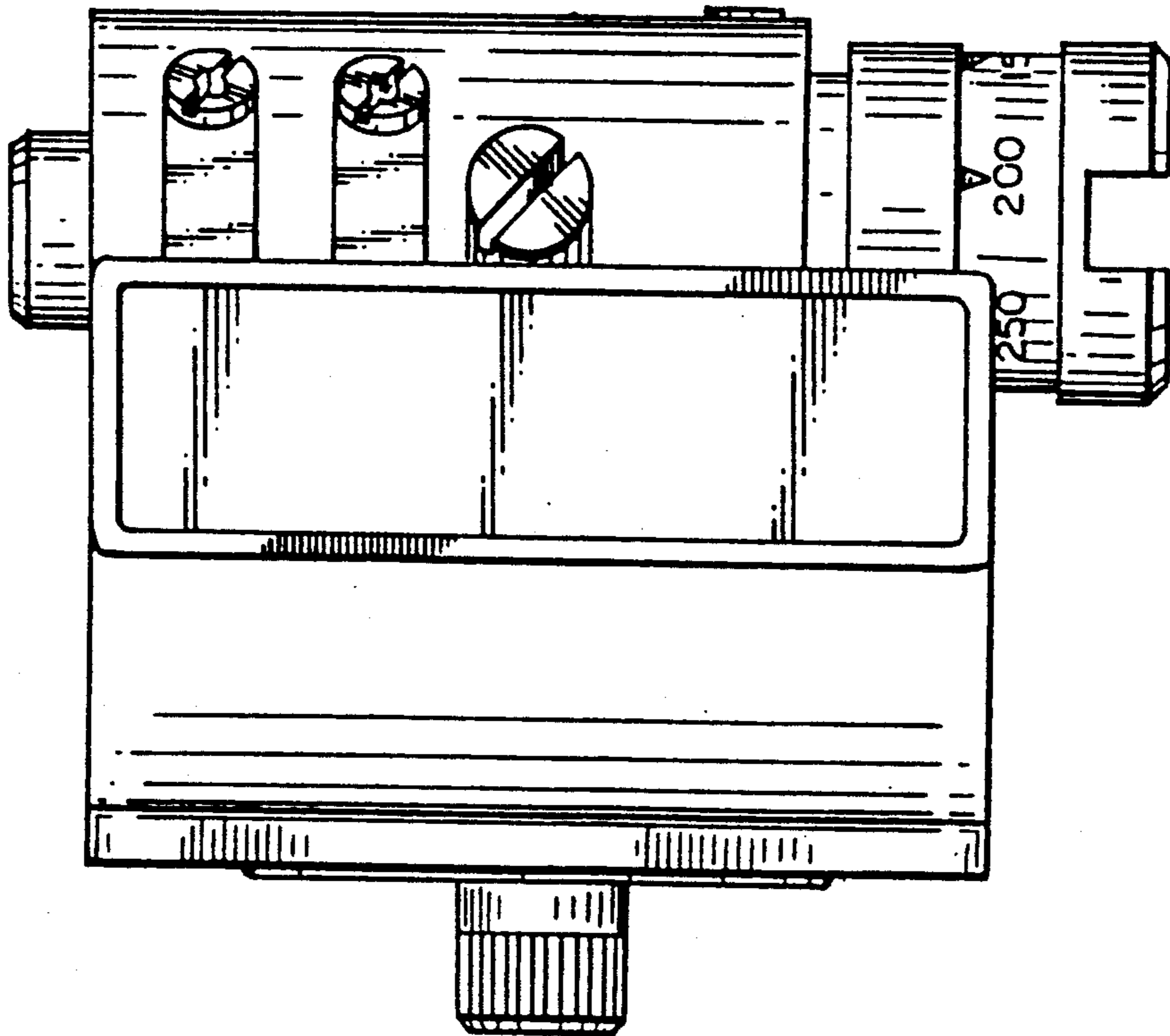


FIG. 6

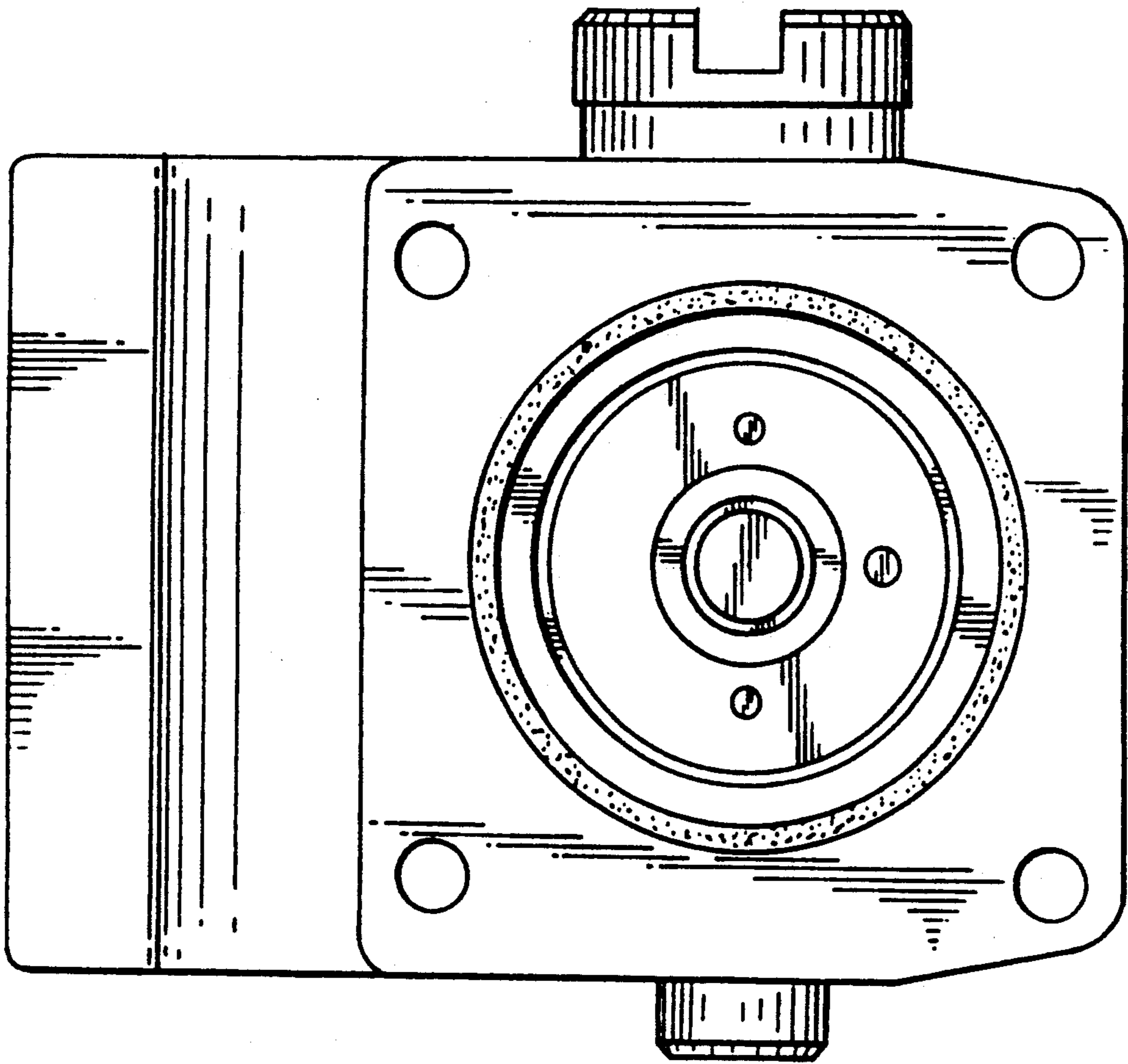


FIG. 7