



US00D323546S

United States Patent [19]

Story

[11] Patent Number: **Des. 323,546**

[45] Date of Patent: **** Jan. 28, 1992**

[54] **SPRAY GUN**

[75] Inventor: **Mike Story, Irving, Tex.**

[73] Assignee: **Spectra Technologies Inc., Arlington, Tex.**

[**] Term: **14 Years**

[21] Appl. No.: **330,106**

[22] Filed: **Mar. 29, 1989**

[52] U.S. Cl. **D23/226; D23/225**

[58] Field of Search **D23/213, 223-229; 239/301, 332, 373, 394, 414-415, 525-528, 532, 554, 556**

[56] **References Cited**

U.S. PATENT DOCUMENTS

D. 180,343	5/1957	Rich	D23/223
1,703,219	2/1929	Wold	239/443 X
1,919,153	7/1933	Andrews	239/391 X
3,122,326	2/1964	Cook	239/415 X
3,240,432	3/1966	Boettler	239/415 X

Primary Examiner—Susan J. Lucas

Assistant Examiner—M. H. Tung

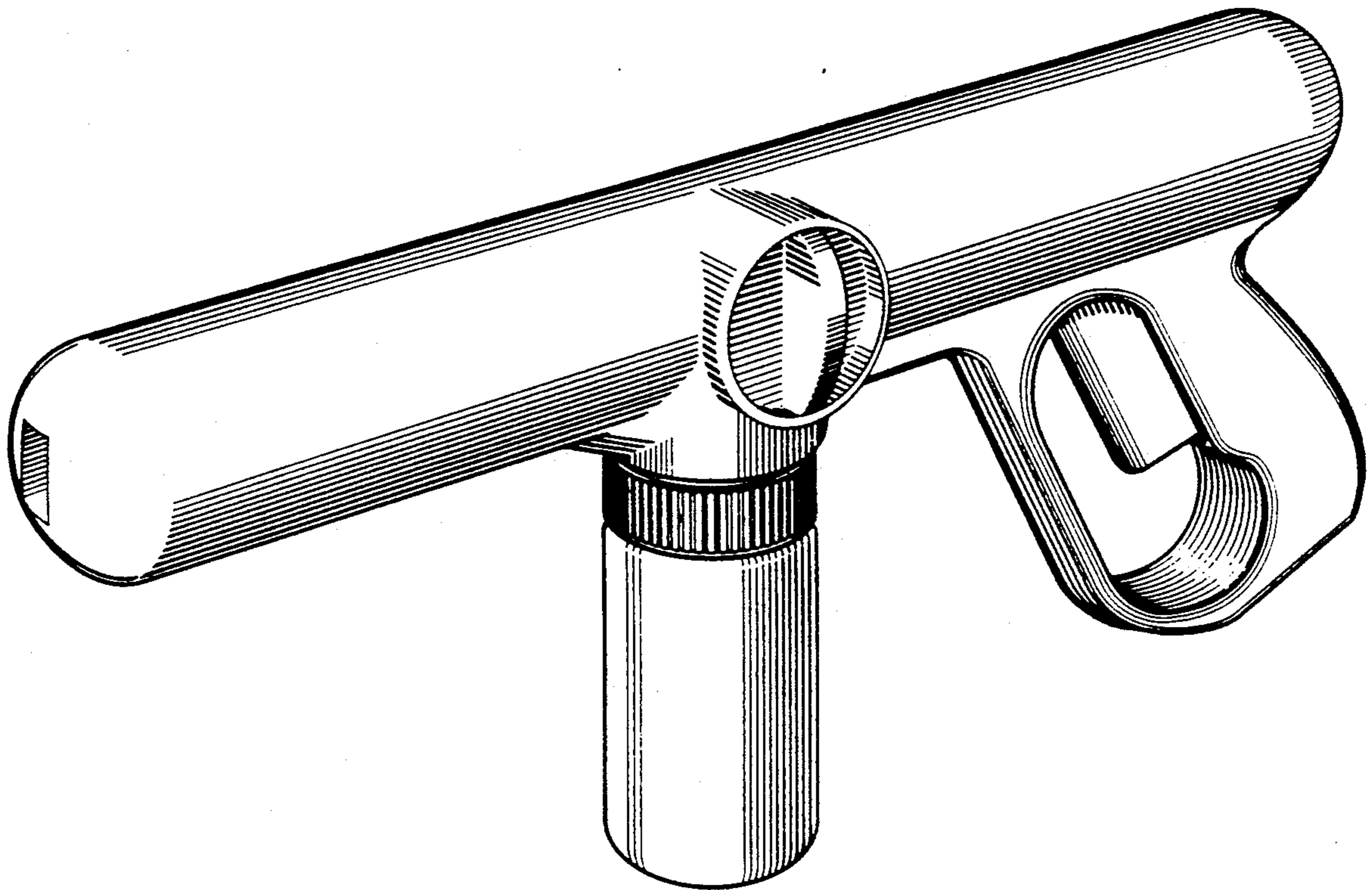
Attorney, Agent, or Firm—Johnson & Gibbs

[57] **CLAIM**

The ornamental design for a spray gun, as shown and described.

DESCRIPTION

FIG. 1 is a top perspective view of a spray gun showing my new design;
 FIG. 2 is a right side elevational view thereof;
 FIG. 3 is a front elevational view thereof;
 FIG. 4 is a rear elevational view thereof;
 FIG. 5 is a top plan view thereof;
 FIG. 6 is a bottom plan view thereof;
 FIG. 7 is a left side elevational view thereof;
 FIG. 8 is a top perspective view of a second embodiment thereof;
 FIG. 9 is a right side elevational view thereof;
 FIG. 10 is a front elevational view;
 FIG. 11 is a rear elevational view thereof;
 FIG. 12 is a top plan view thereof;
 FIG. 13 is a bottom plan view thereof; and
 FIG. 14 is a left side elevational view thereof.



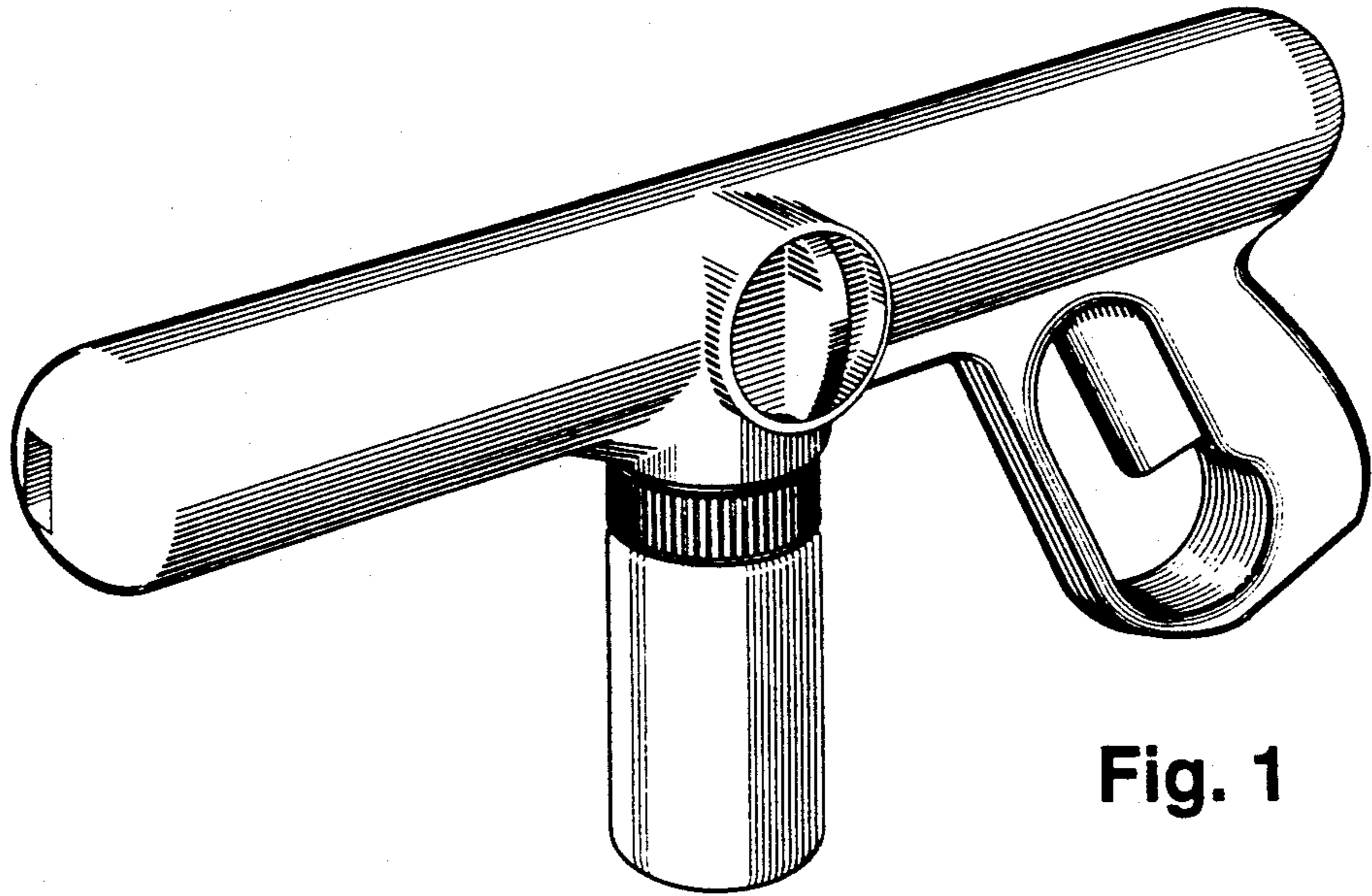


Fig. 1

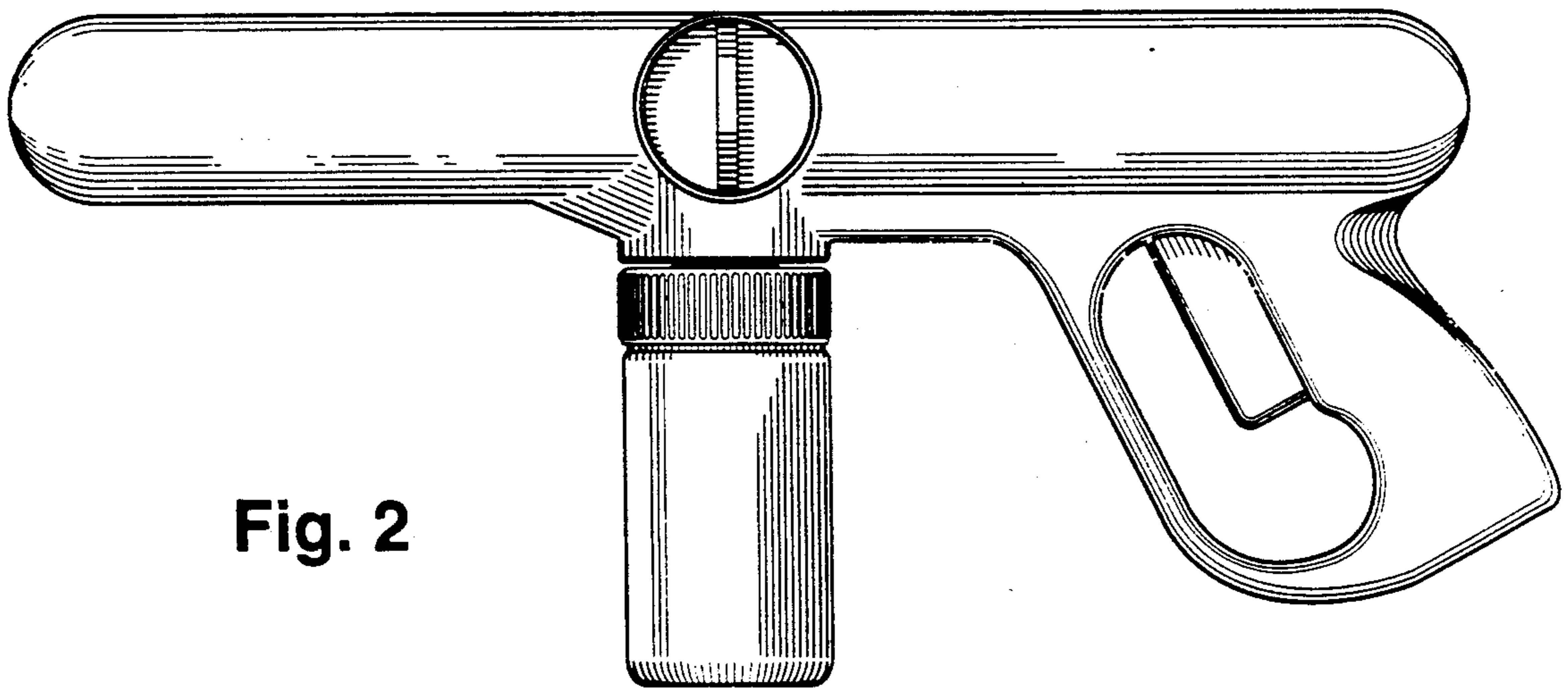


Fig. 2

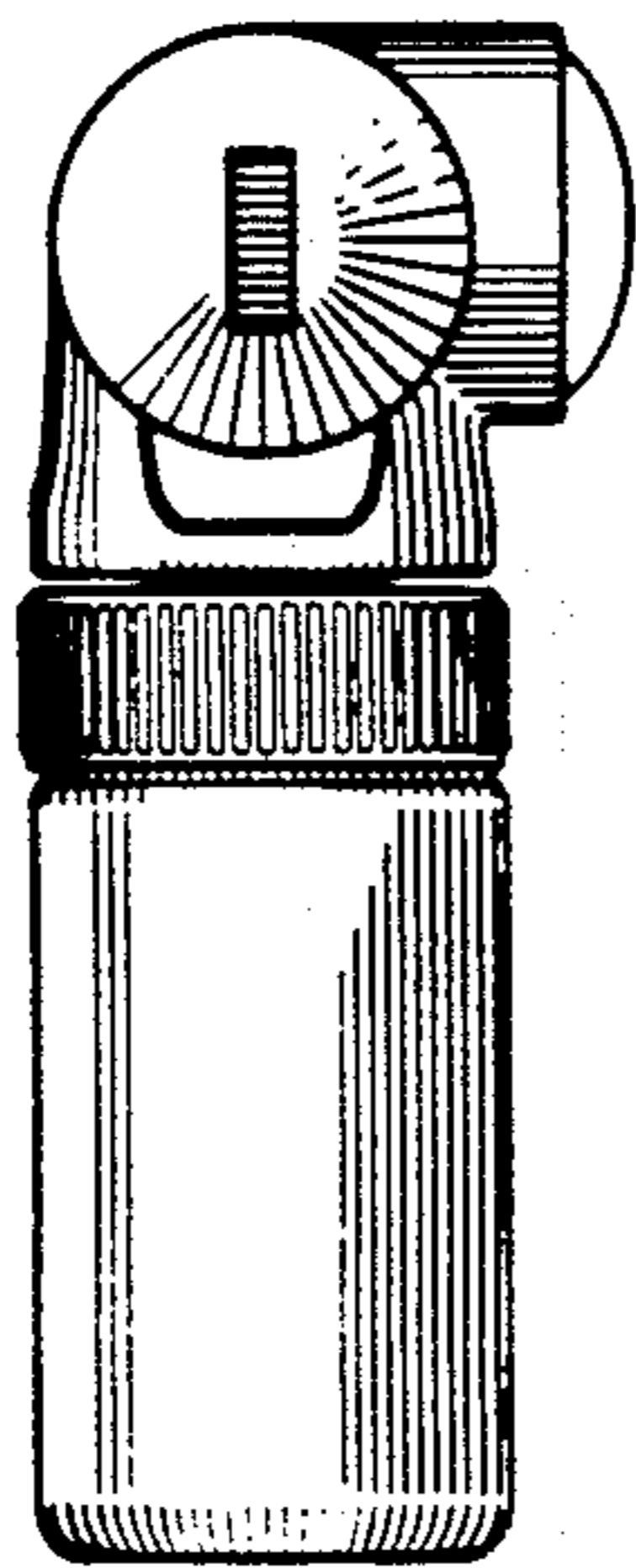


Fig. 3

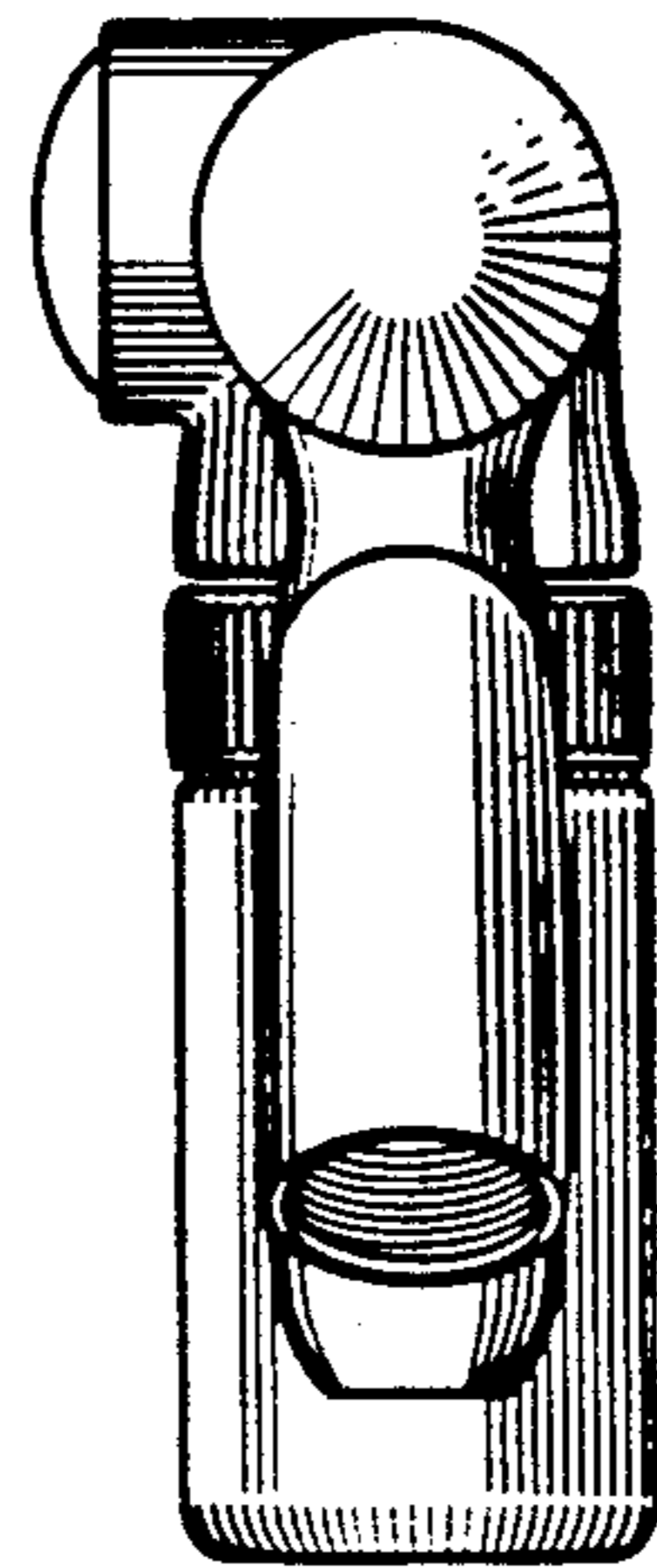


Fig. 4

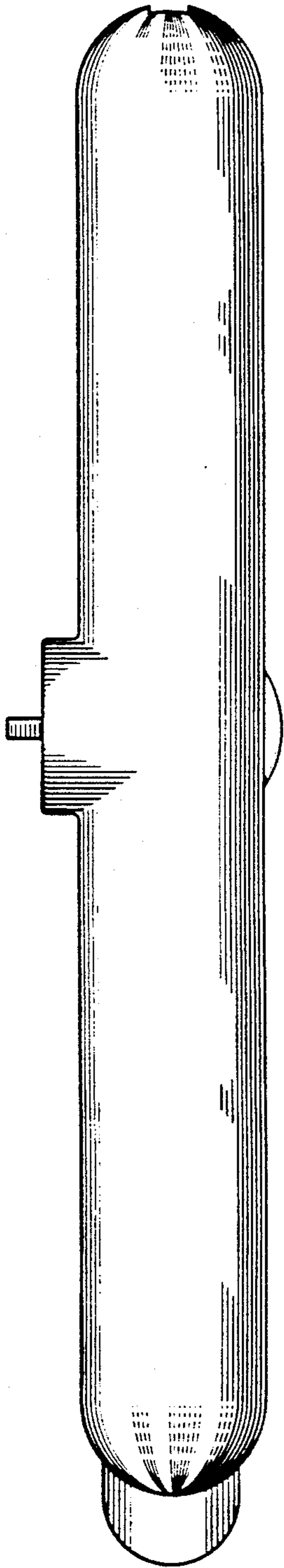


Fig. 5

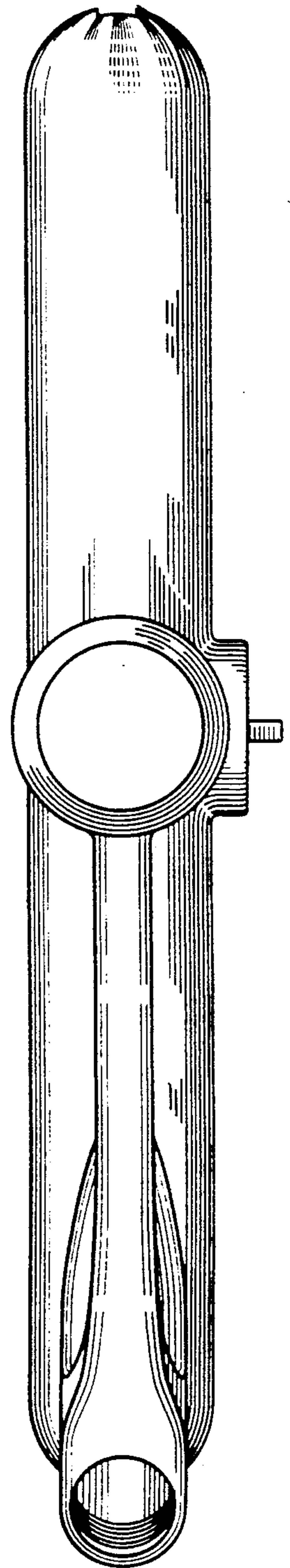


Fig. 6

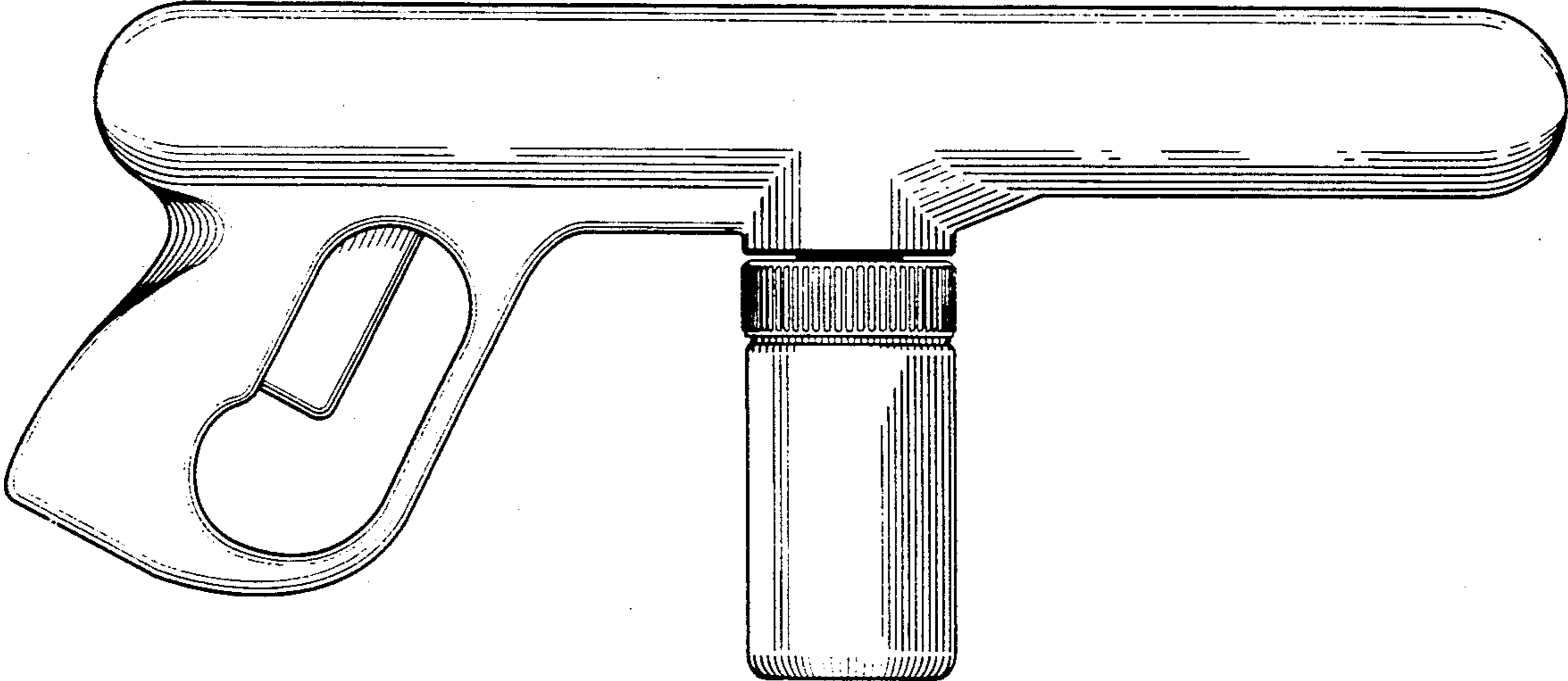


Fig. 7

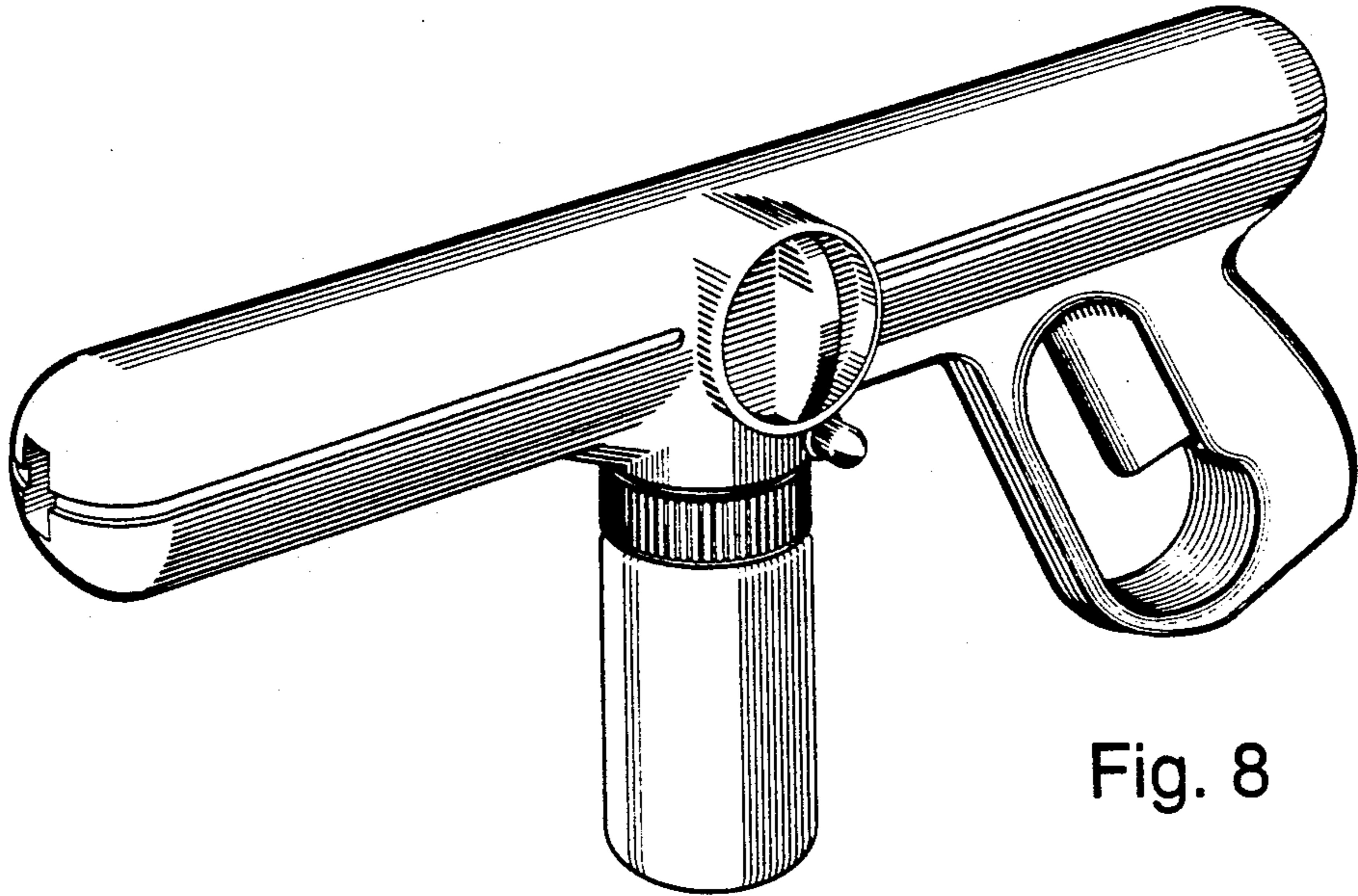


Fig. 8

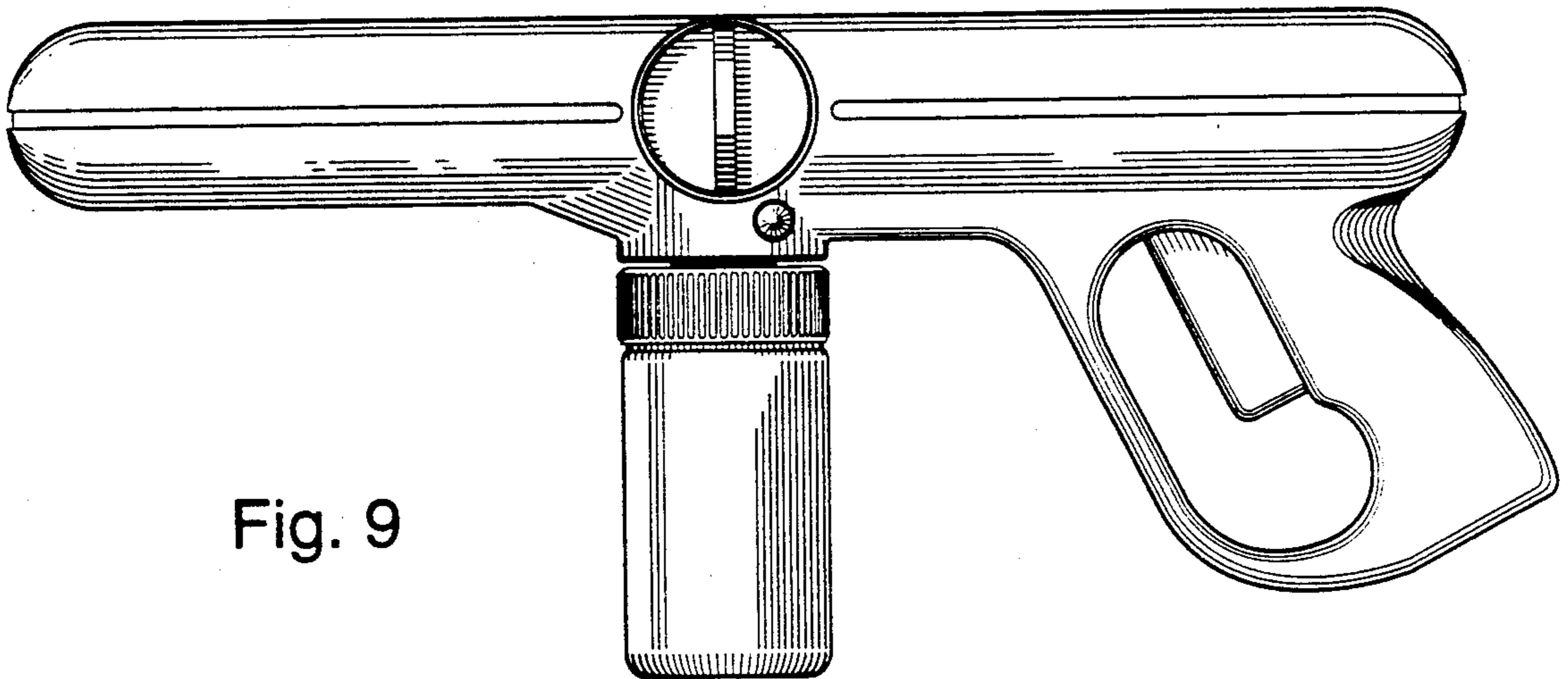


Fig. 9

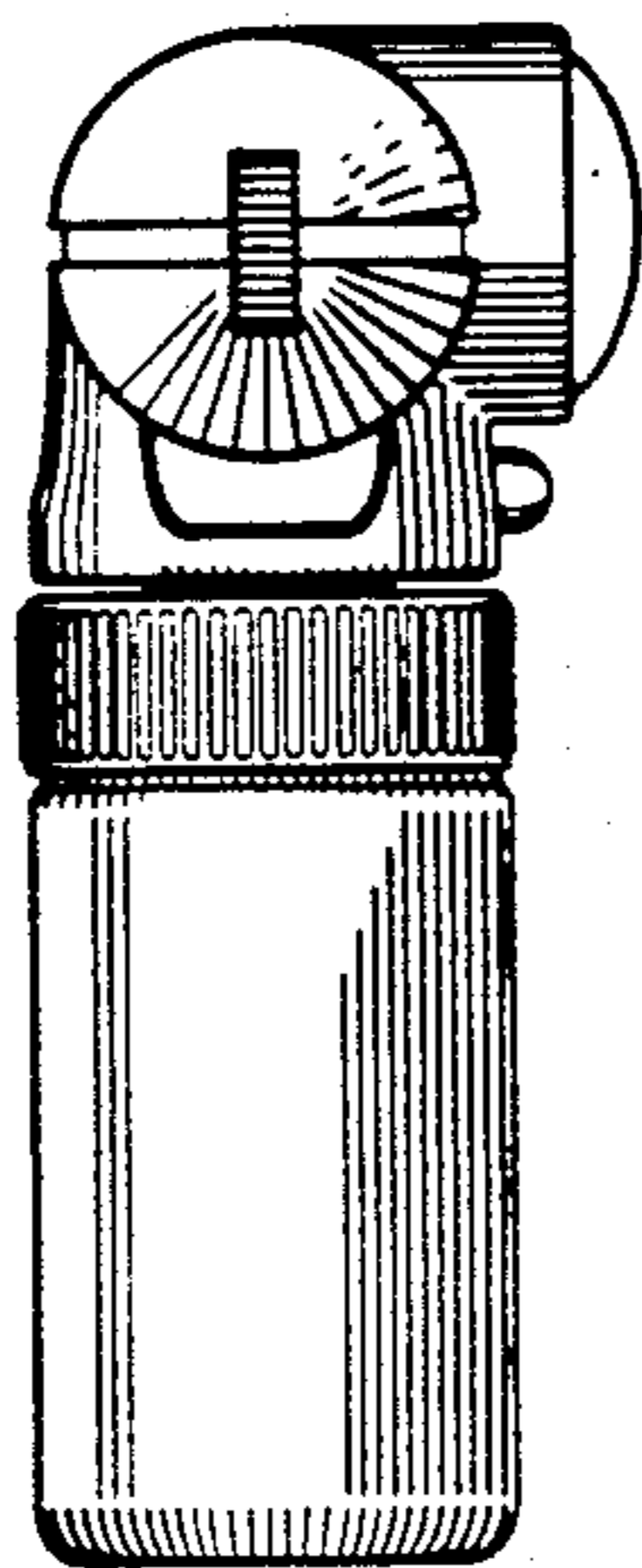


Fig. 10

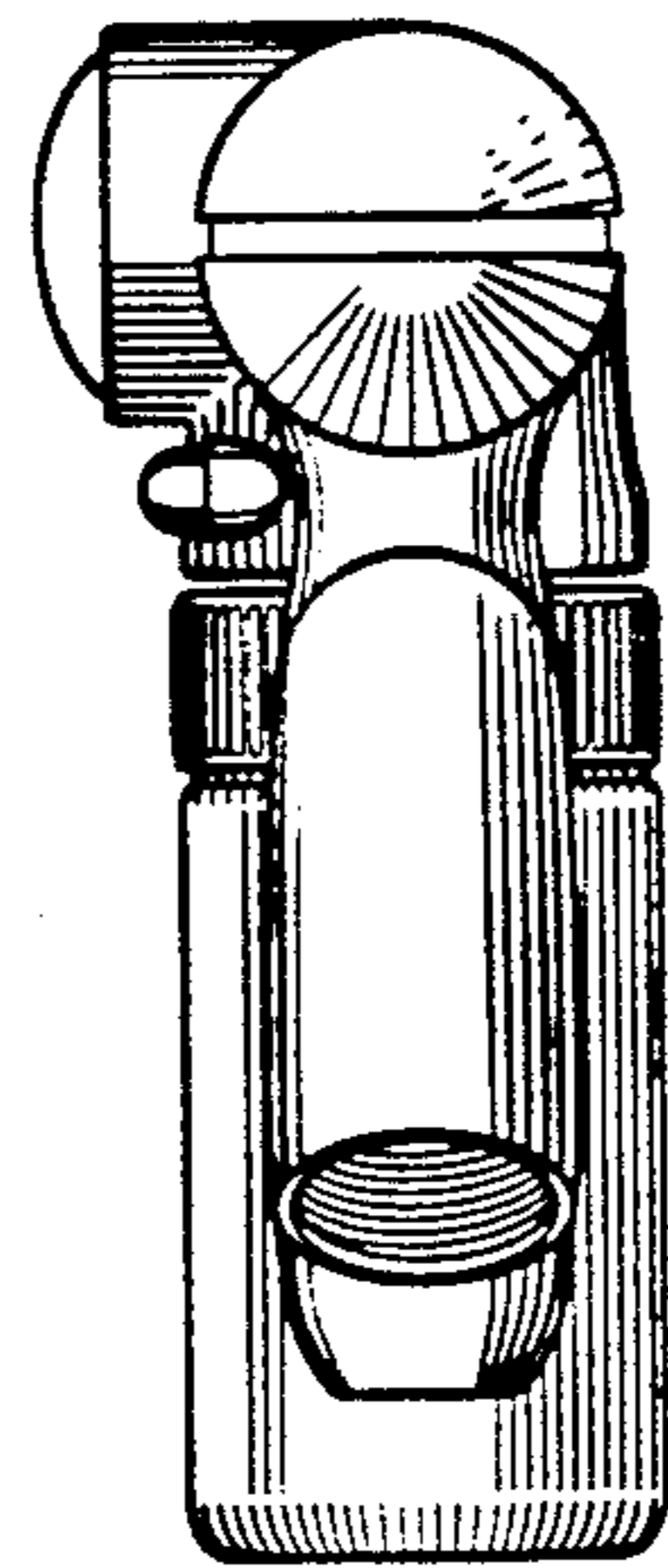


Fig. 11

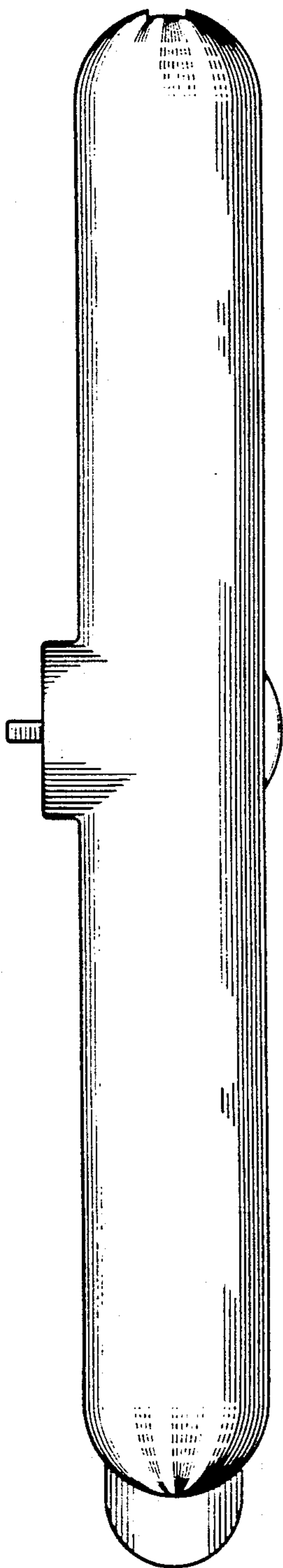


Fig. 12

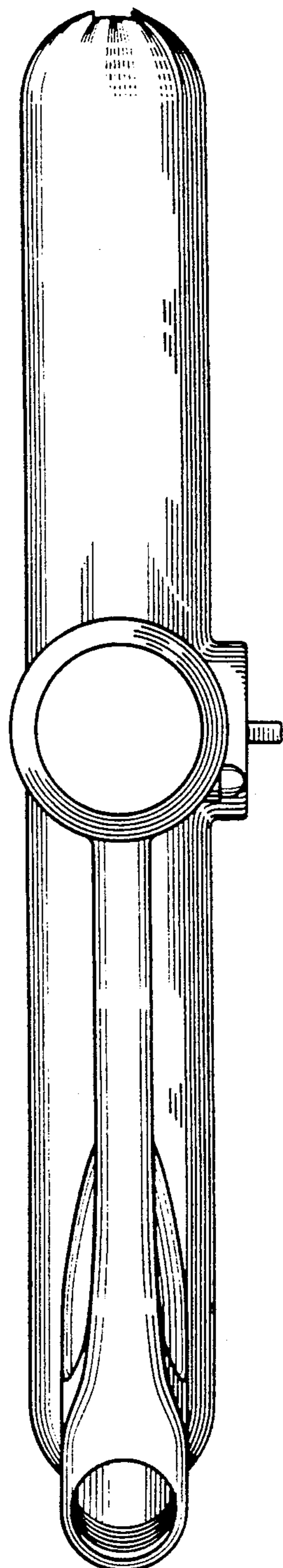


Fig. 13

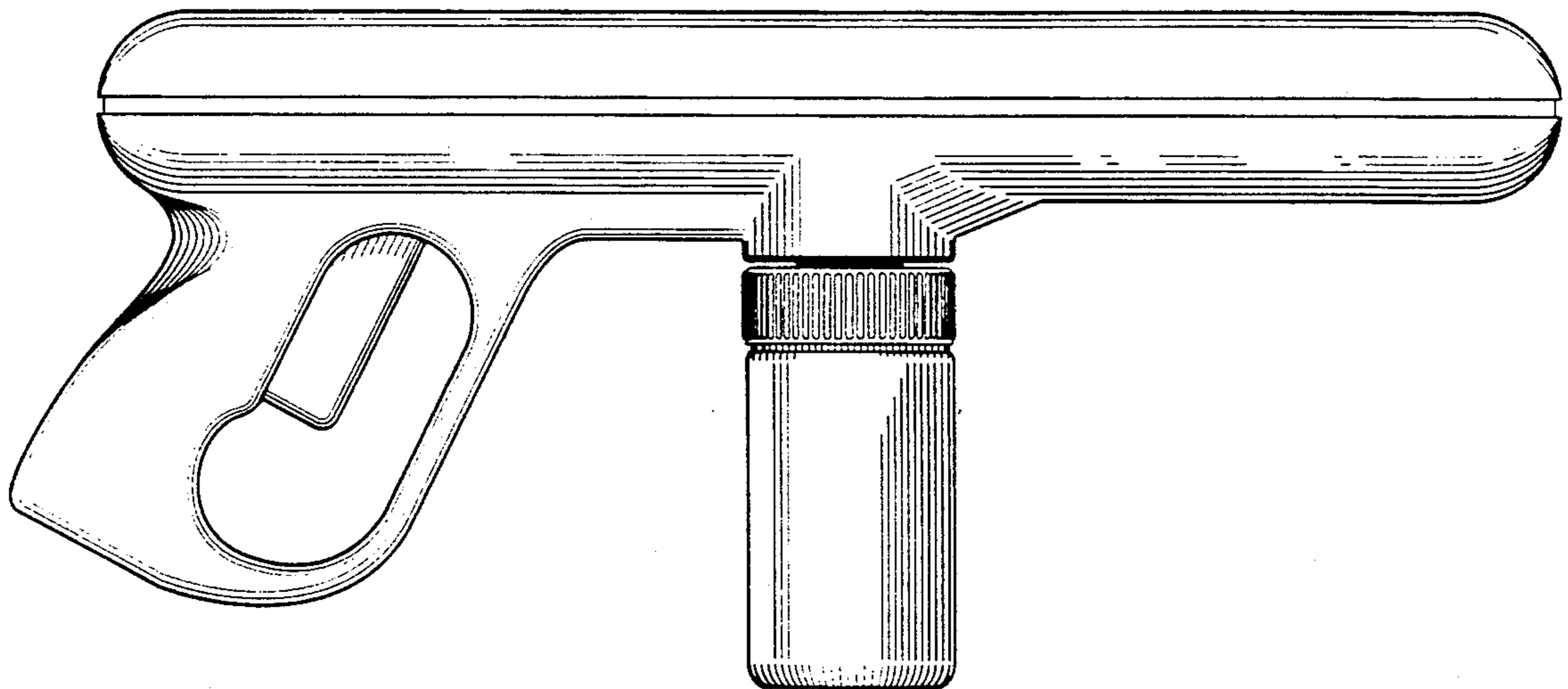


Fig. 14