



US00D323538S

United States Patent [19]

[11] Patent Number: **Des. 323,538**

Wright

[45] Date of Patent: **** Jan. 28, 1992**

[54] **PHYSICAL EXERCISER**

D. 319,479 8/1991 Hur-Aoun D21/194

[75] Inventor: **James A. Wright**, 6 Post Rd., Mason City, Iowa 50401

OTHER PUBLICATIONS

Sporting Goods Dealer, 8-1982, p. 53, "The Rower".

[73] Assignee: **James A. Wright**, Mason City, Iowa

Primary Examiner—Charles A. Rademaker

[**] Term: **14 Years**

[57] **CLAIM**

[21] Appl. No.: **738,724**

The ornamental design for physical exerciser, as shown and described.

[22] Filed: **Jul. 22, 1991**

Related U.S. Application Data

DESCRIPTION

[63] Continuation-in-part of Ser. No. 252,864, Oct. 3, 1988.

FIG. 1 is a perspective view of a physical exerciser showing my new design;

[52] U.S. Cl. **D21/195**

FIG. 2 is a perspective view of the design shown in FIG. 1 with various members in alternate positions;

[58] Field of Search D21/191, 195, 198; 272/132, 61, 67, 68, 112, 125, 126, 133, 143, 145

FIG. 3 is another perspective view of the design shown in FIG. 1 with various members in alternate positions;

[56] **References Cited**

FIG. 4 is a top plan view thereof of with respect to FIG. 1;

U.S. PATENT DOCUMENTS

- D. 218,624 9/1970 Margolies D21/195
- D. 277,304 1/1985 Smith et al. D21/195
- D. 280,843 10/1985 Kelley et al. D21/191
- D. 289,389 12/1986 Nadeau D21/195

FIG. 5 is a side elevational view thereof;

FIG. 6 is a bottom plan view thereof;

FIG. 7 is a front elevational view thereof; and

FIG. 8 is a rear elevational view thereof.

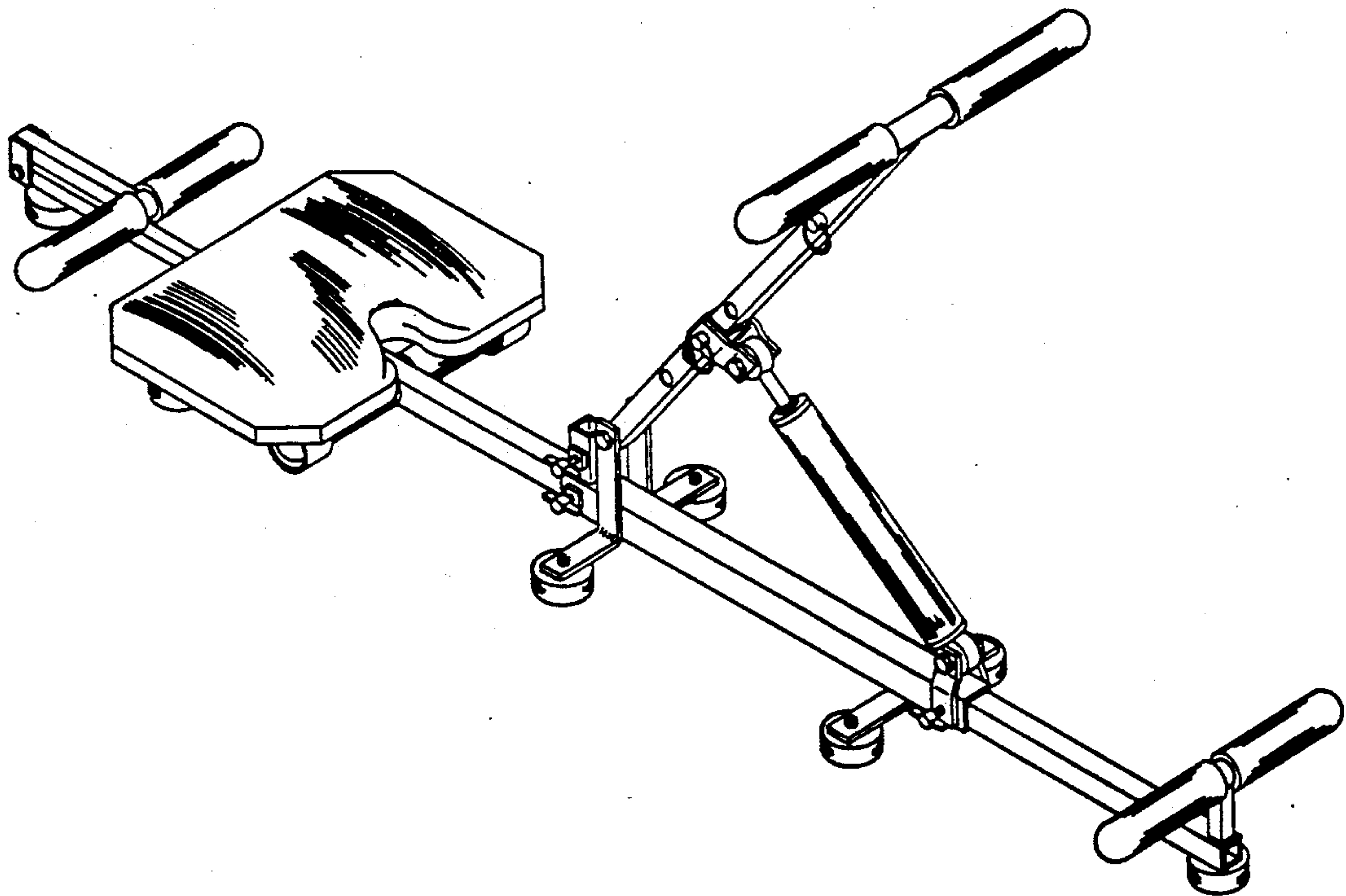


FIG. 1

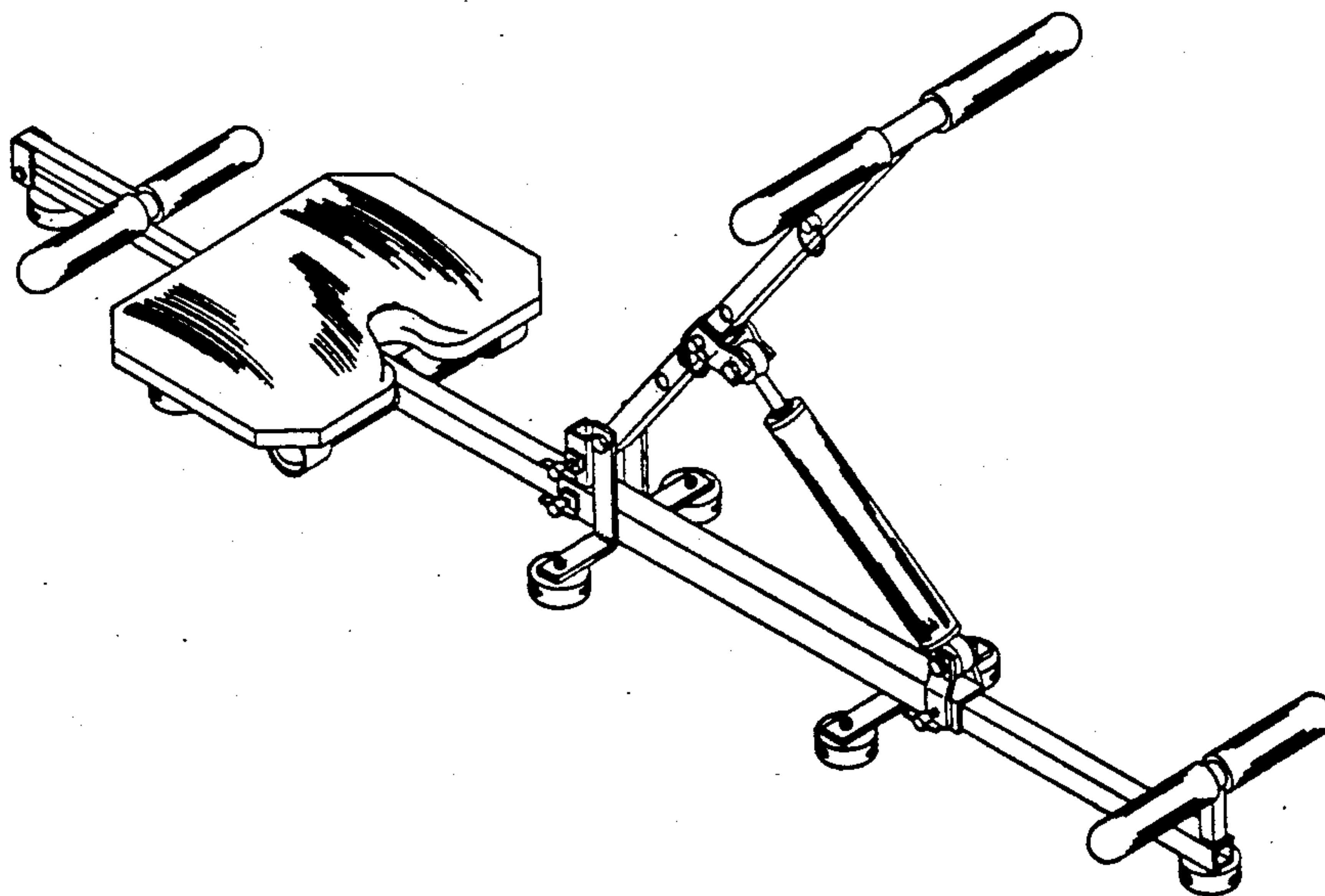


FIG. 2

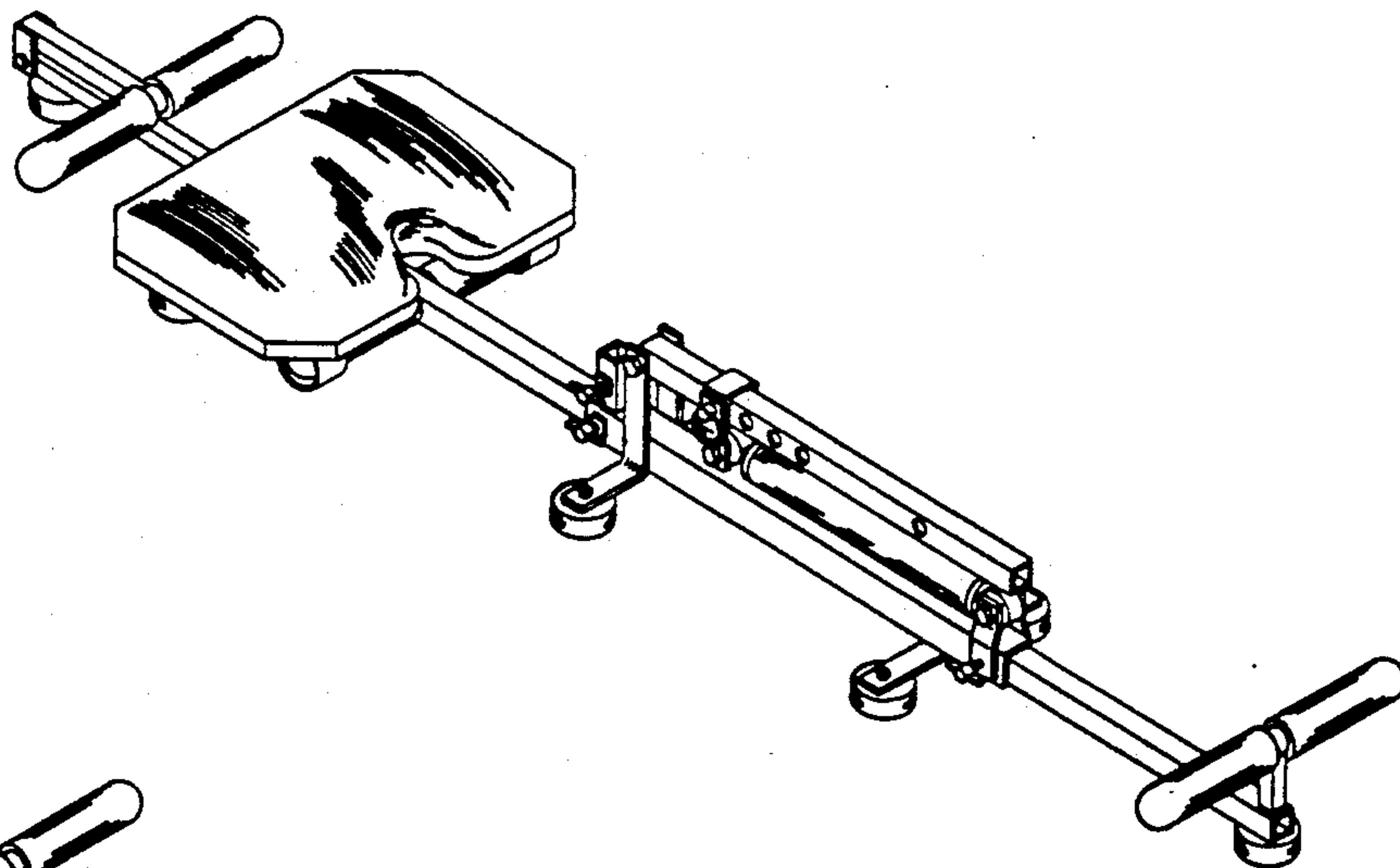


FIG. 3

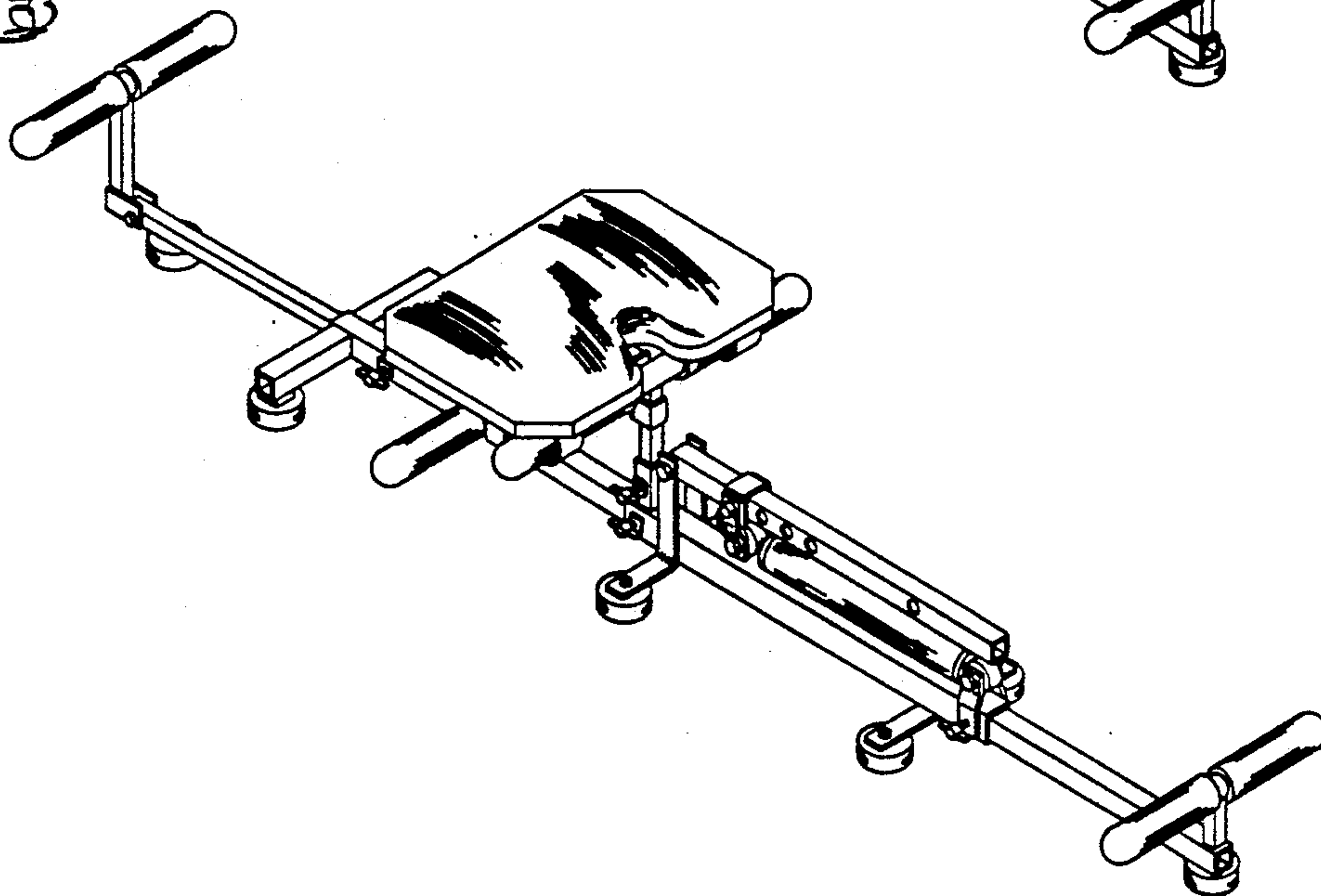


FIG. 4

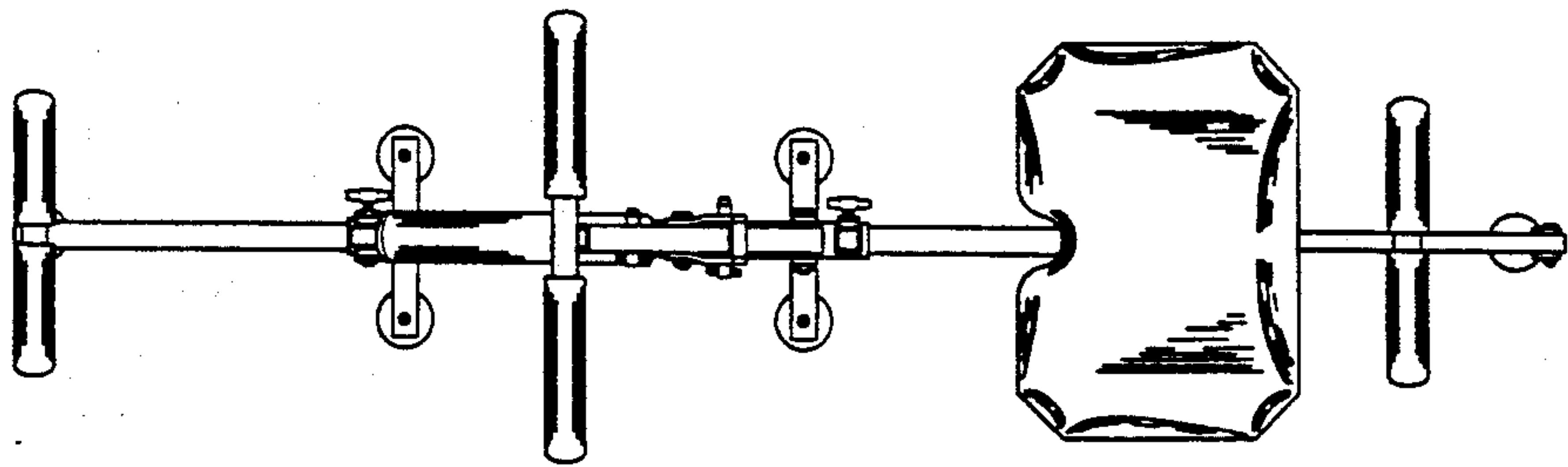


FIG. 5

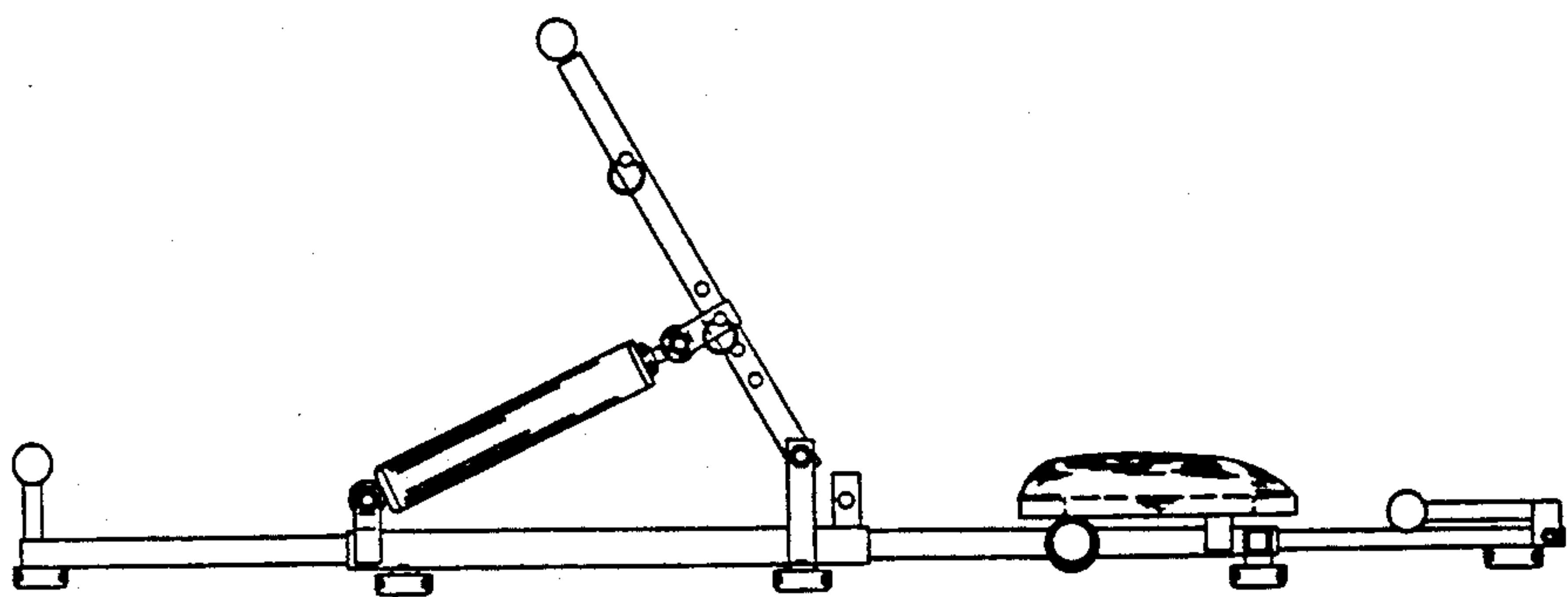


FIG. 6

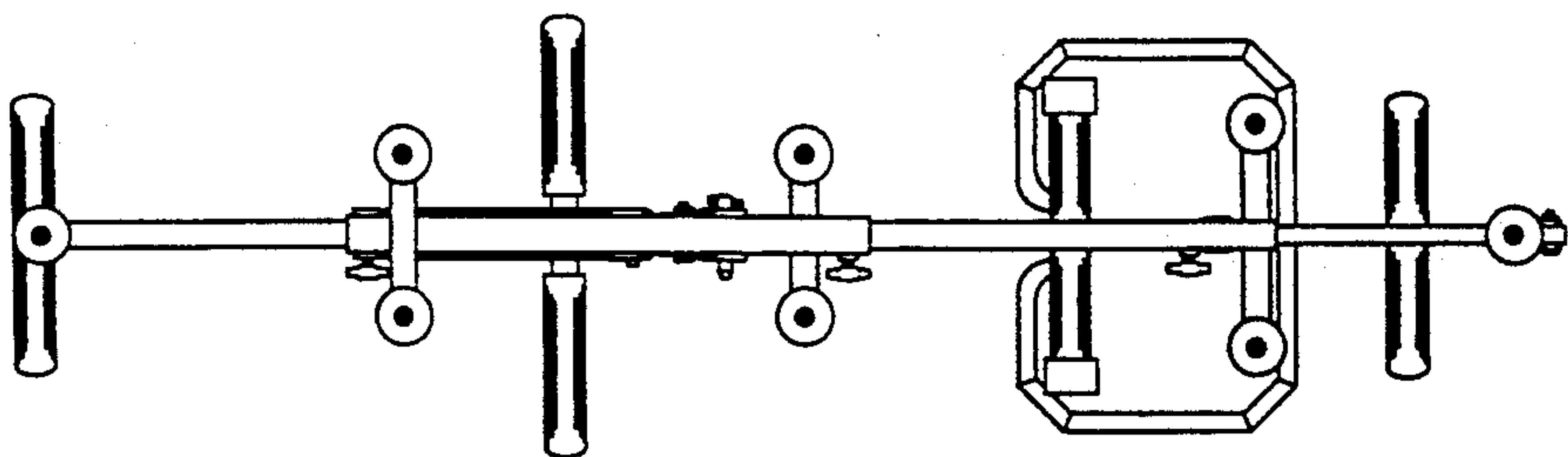


FIG. 7

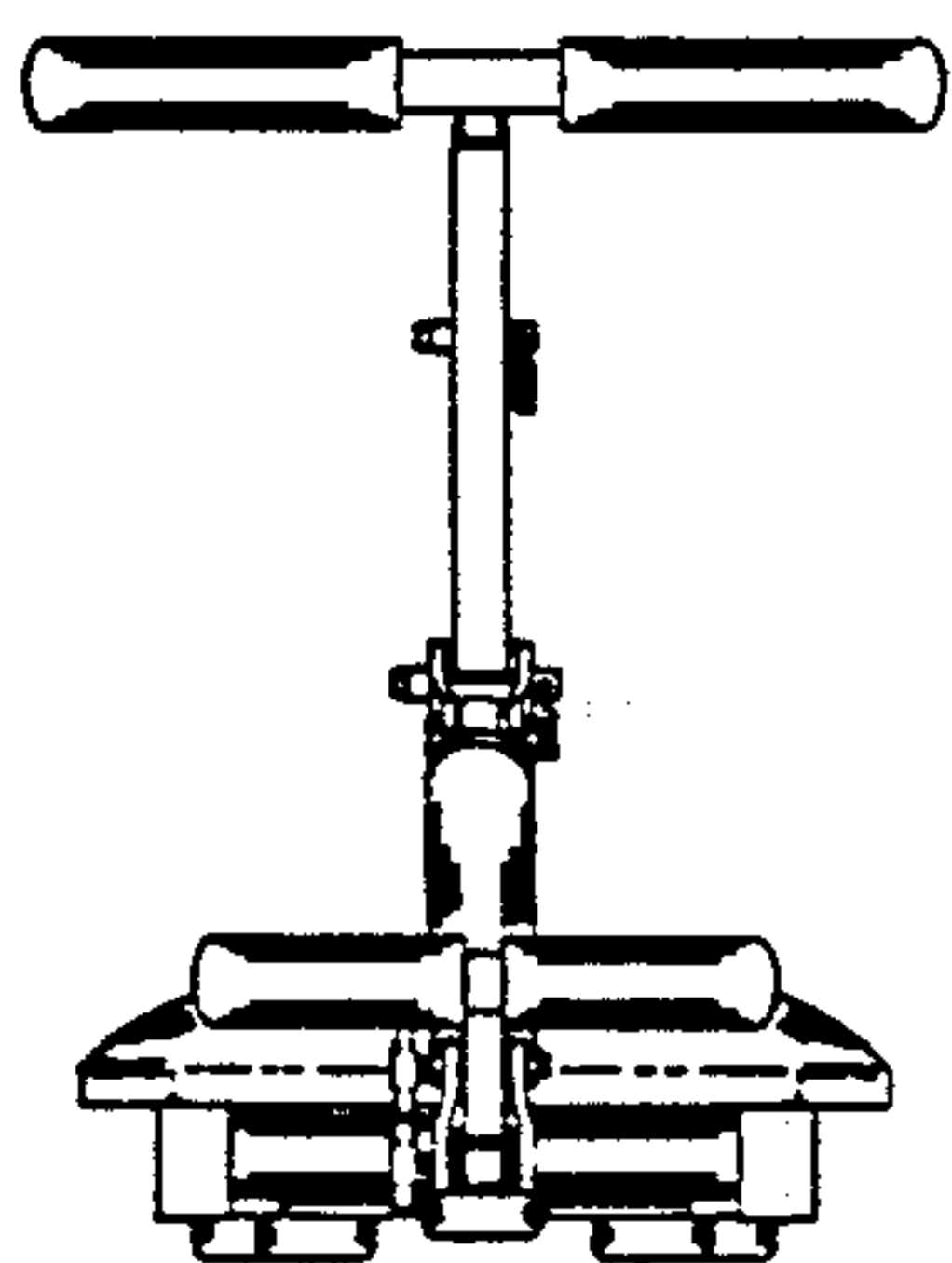


FIG. 8

