



US00D323537S

United States Patent [19]

Wilkinson

[11] Patent Number: **Des. 323,537**

[45] Date of Patent: **** Jan. 28, 1992**

[54] **ADJUSTABLE STEP EXERCISER**

[76] Inventor: **William T. Wilkinson, Rte. 4, Box 205, Seaford, Del. 19973**

[**] Term: **14 Years**

[21] Appl. No.: **409,024**

[22] Filed: **Sep. 18, 1989**

[52] U.S. Cl. **D21/191**

[58] Field of Search **D21/191-197, D21/199; 272/93, 96, 99, 119, 125, 134, 142, 143, 144**

[56] **References Cited**

U.S. PATENT DOCUMENTS

D. 282,775 2/1986 Floyd D21/191

D. 314,219 1/1991 Lo D21/191
4,834,072 5/1989 Goodman 272/96

Primary Examiner—Charles A. Rademaker
Attorney, Agent, or Firm—Connolly & Hutz

[57] **CLAIM**

The ornamental design for an adjustable step exerciser, as shown and described.

DESCRIPTION

FIG. 1 is a side elevational view of an adjustable step exerciser showing my new design, the side opposite being substantially a mirror image;
FIG. 2 is a top plan view thereof;
FIG. 3 is an end elevational view thereof, the end opposite being substantially a mirror image; and
FIG. 4 is a bottom plan view thereof.

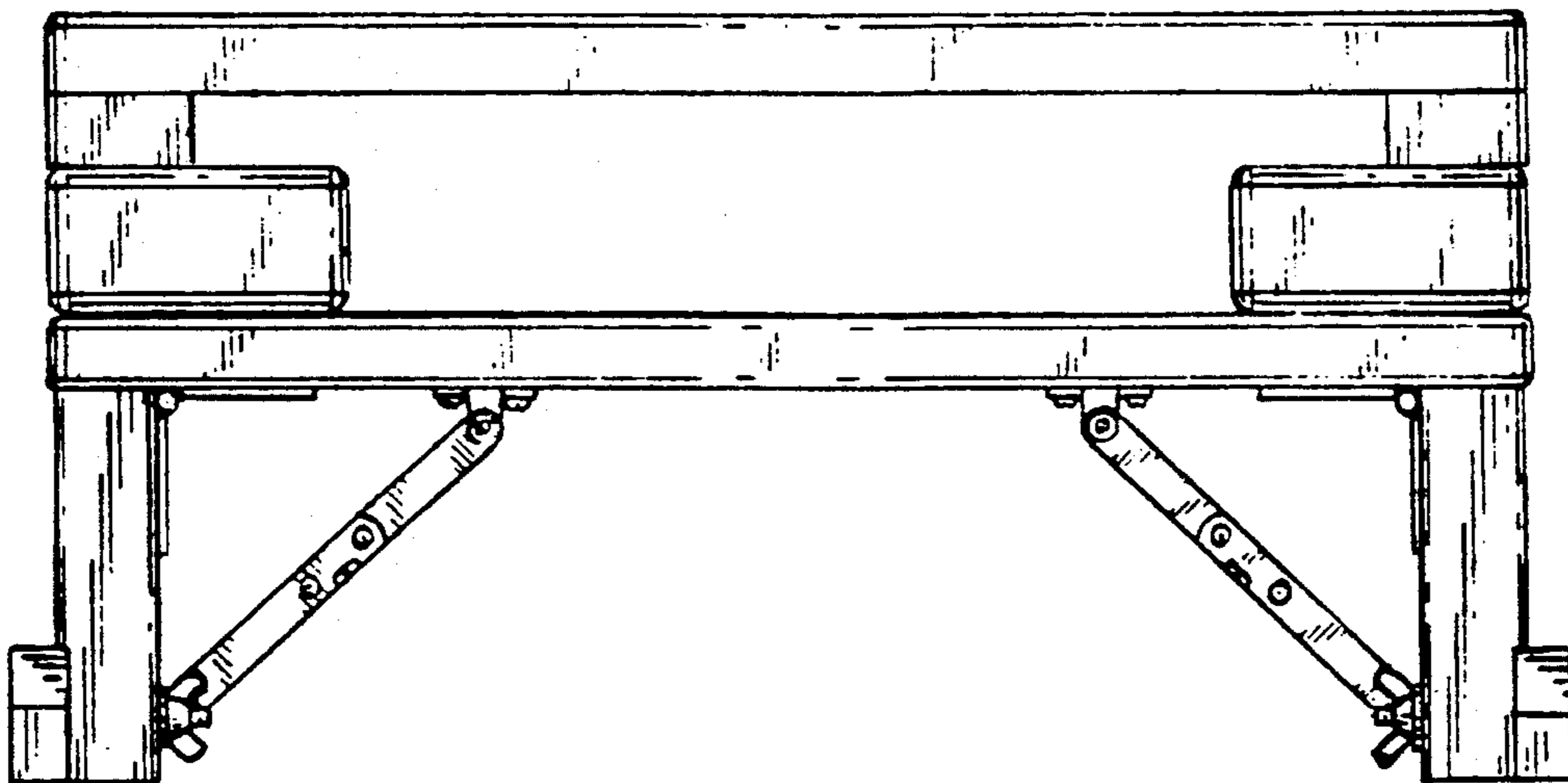


Fig. 2.

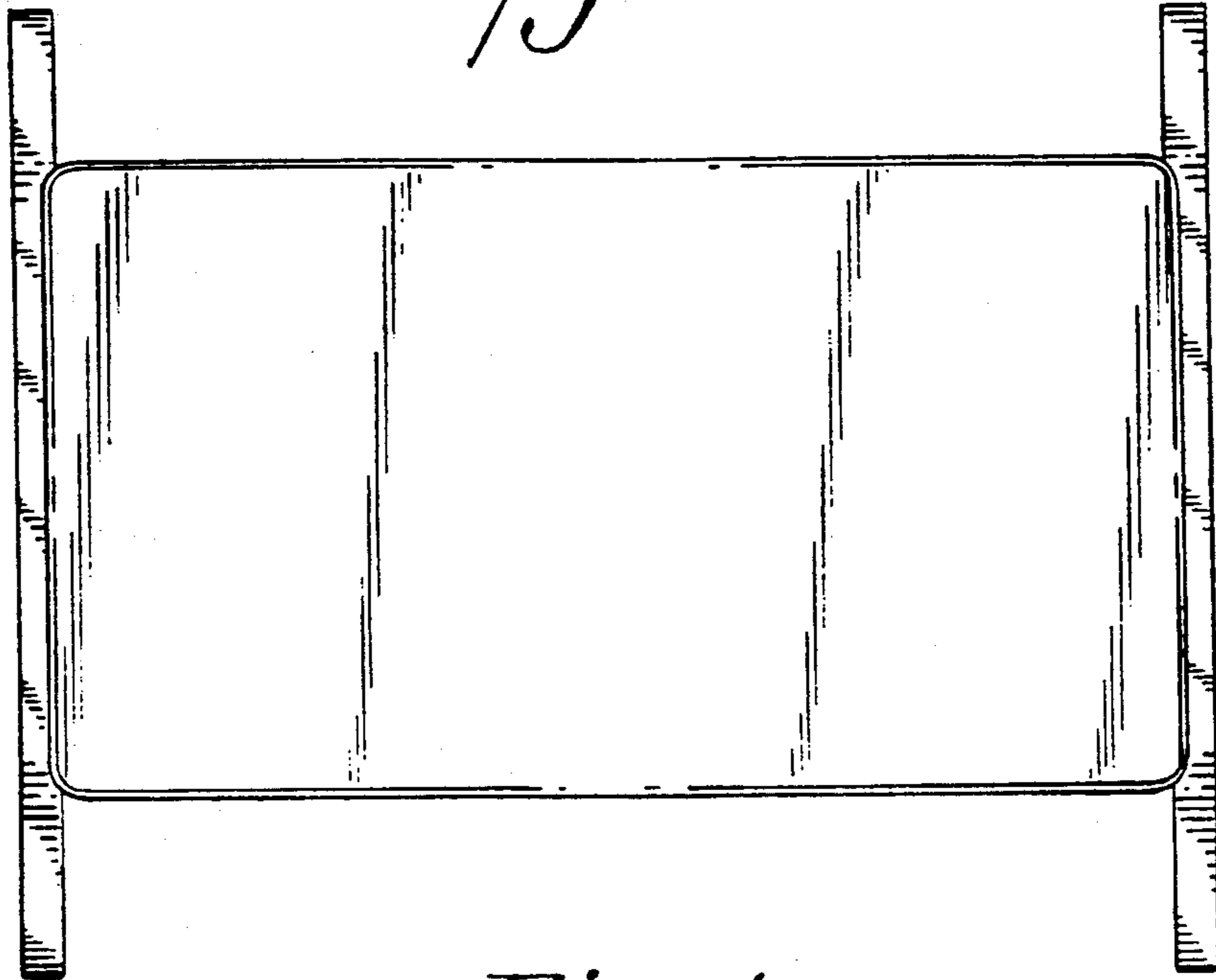


Fig. 1.

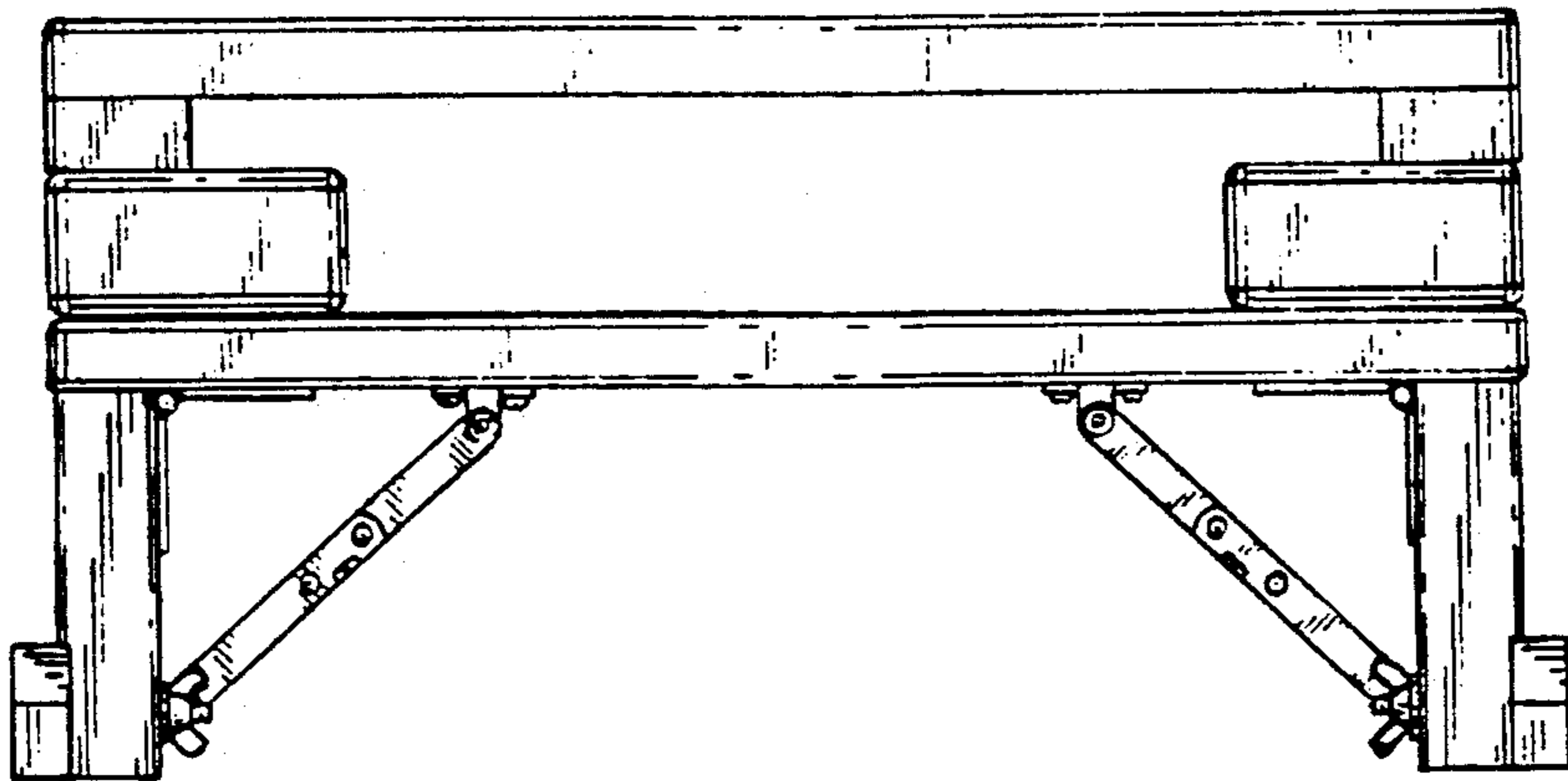


Fig. 3.

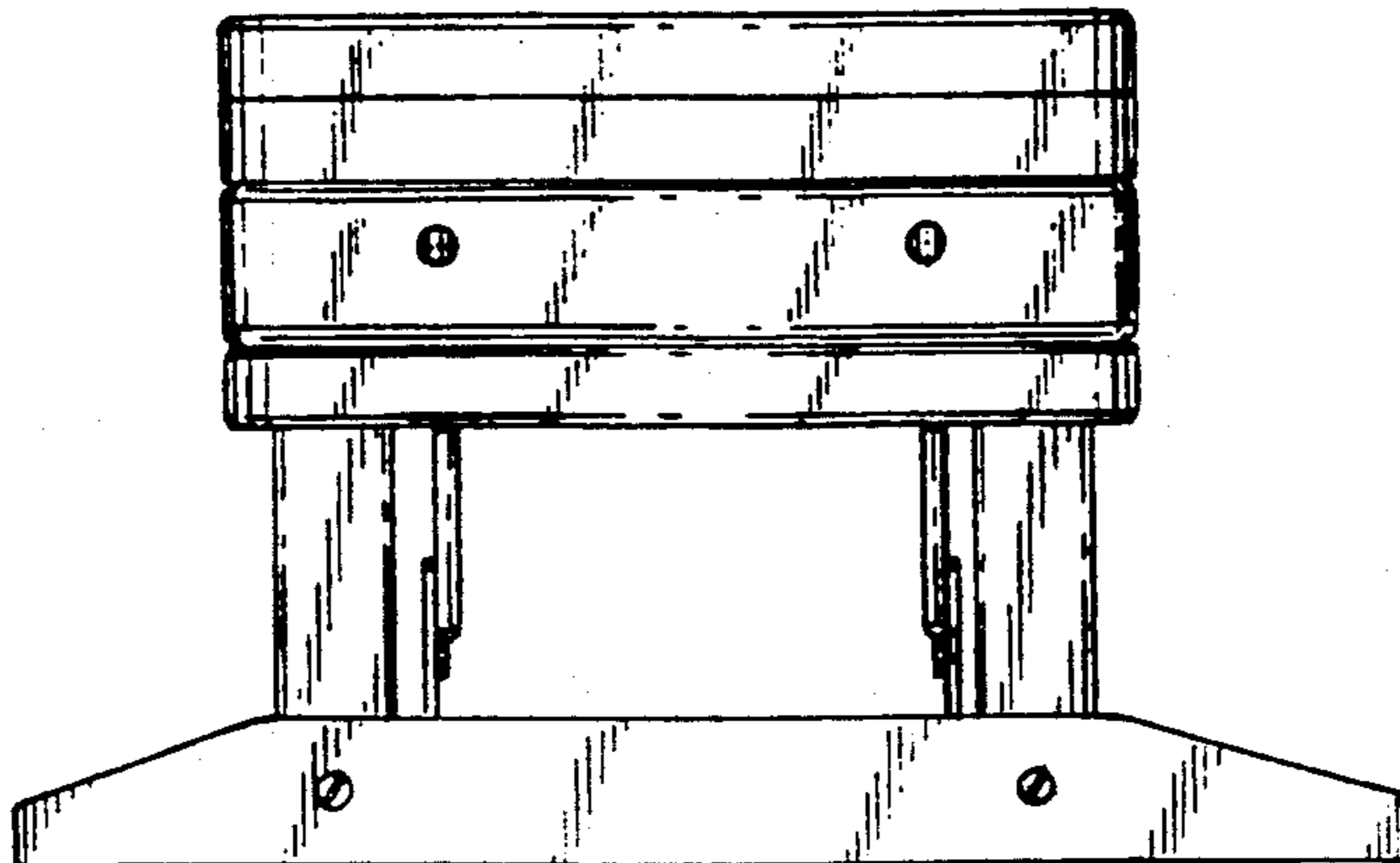


Fig. 4.

