



US00D323533S

# United States Patent [19]

[11] Patent Number: **Des. 323,533**

Williams

[45] Date of Patent: **\*\* Jan. 28, 1992**

[54] **CARD FILE**

D. 312,661 12/1990 Leszczak ..... D19/76

[75] Inventor: **Peter S. Williams, Peapack, N.J.**

### OTHER PUBLICATIONS

[73] Assignee: **The Bates Manufacturing Company, Hackettstown, N.J.**

B. A. Pargh Co. Inc. 1985-1986 Winter Catalog—see p. 62 Rolodex List Finder—lower right.

Jacobs Gardner Office Products 1988, see Tenex card file—item E, right center.

[\*\*] Term: **14 Years**

*Primary Examiner*—Bruce W. Dunkins

*Assistant Examiner*—Martha Thompson

[21] Appl. No.: **435,790**

[22] Filed: **Nov. 13, 1989**

[52] U.S. Cl. .... **D19/76; D19/75; D19/86; D19/90**

[58] Field of Search ..... **D19/65, 75, 76, 86, D19/90, 91, 92, 95, 99, 100; 211/10, 11, 45, 50, 55; 40/371-380, 384, 404**

### [57] CLAIM

The ornamental design for a card file, as shown and described.

### DESCRIPTION

FIG. 1 is a top, left front perspective view of a card file showing my new design;

FIG. 2 is a left side elevational view drawn to an enlarged scale, the right side being a mirror image thereof;

FIG. 3 is a top plan view of FIG. 2;

FIG. 4 is a front elevational view of FIG. 2;

FIG. 5 is a rear elevational view of FIG. 2;

FIG. 6 is a bottom plan view of FIG. 2; and

FIG. 7 is a top, left front perspective view of FIG. 1, the file cards being depicted by means of broken lines for illustrative purposes only and forming no part of the claimed design.

### [56] References Cited

#### U.S. PATENT DOCUMENTS

|            |         |                     |          |
|------------|---------|---------------------|----------|
| D. 186,476 | 10/1959 | Chedister .....     | D19/76   |
| D. 247,042 | 1/1978  | Neilsen et al. .... | D19/76   |
| D. 248,963 | 8/1978  | Macowski .....      | D19/76   |
| D. 250,343 | 11/1978 | Macowski .....      | D19/76   |
| D. 251,848 | 5/1979  | Hollerith .....     | D19/76   |
| D. 265,659 | 8/1982  | Neilsen et al. .... | D19/76   |
| D. 292,220 | 10/1987 | Wen .....           | D19/92   |
| D. 303,551 | 9/1989  | Szablak et al. .... | D19/75   |
| D. 303,993 | 10/1989 | Szablak et al. .... | D19/86 X |

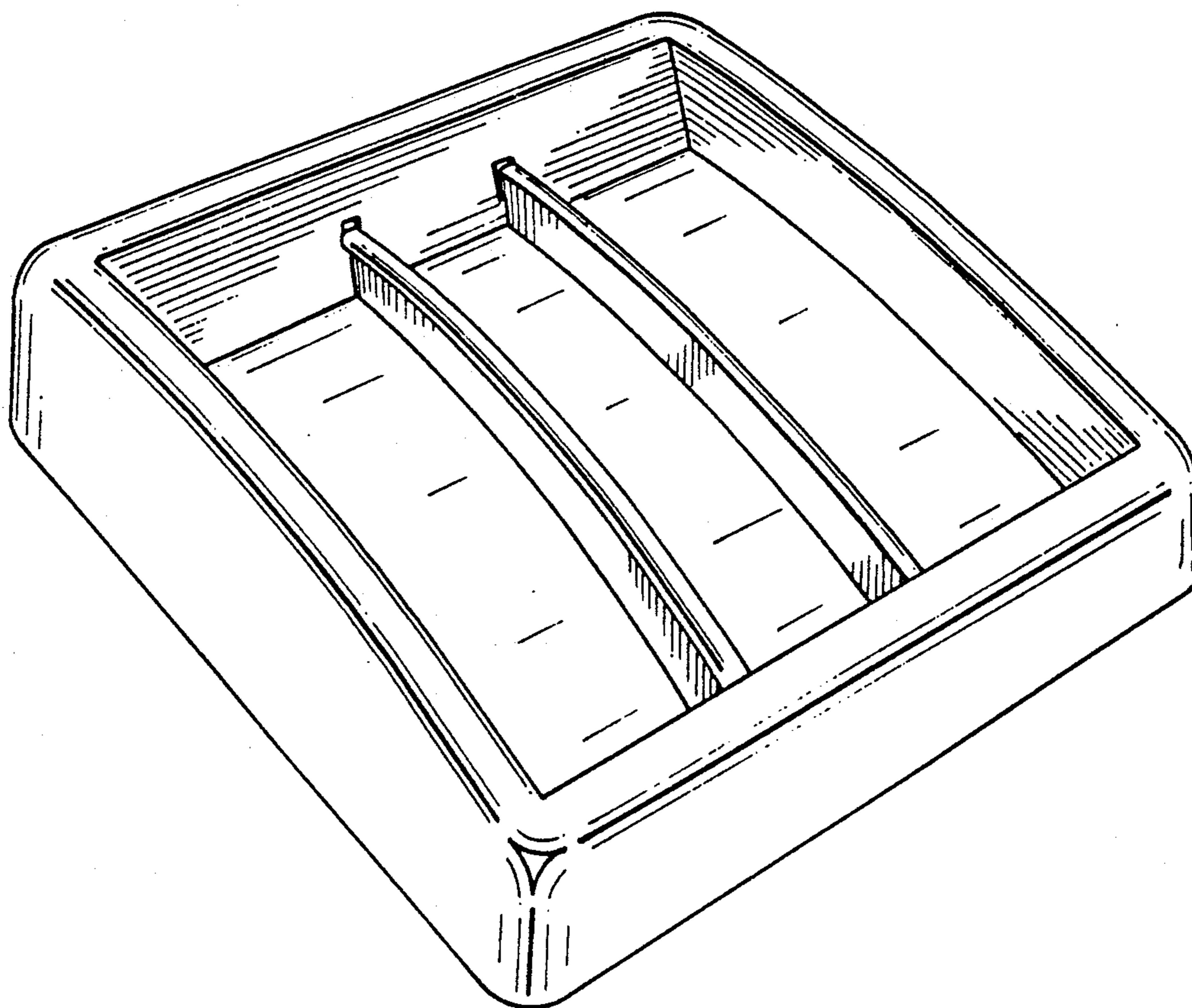


FIG-1

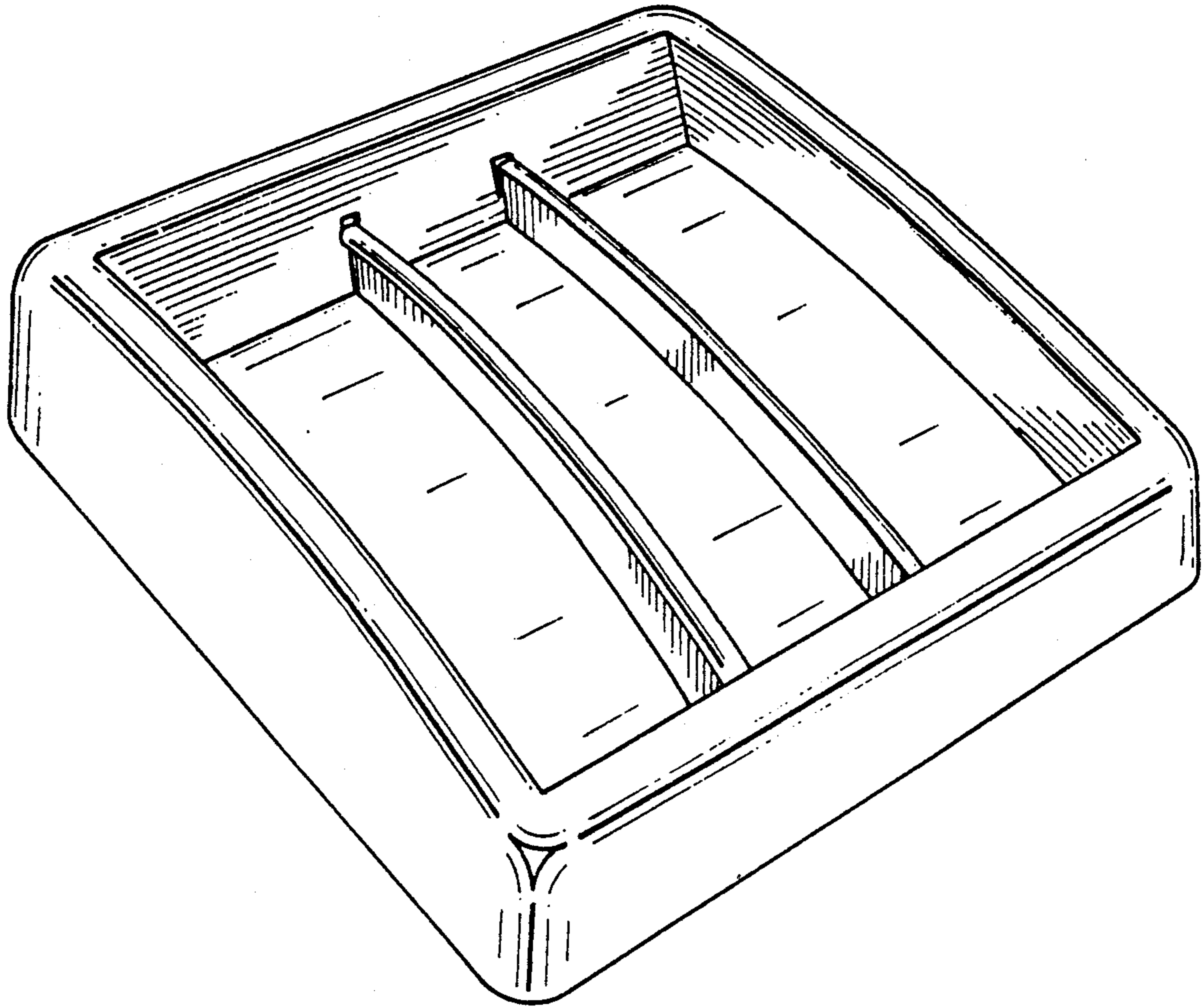


FIG-2

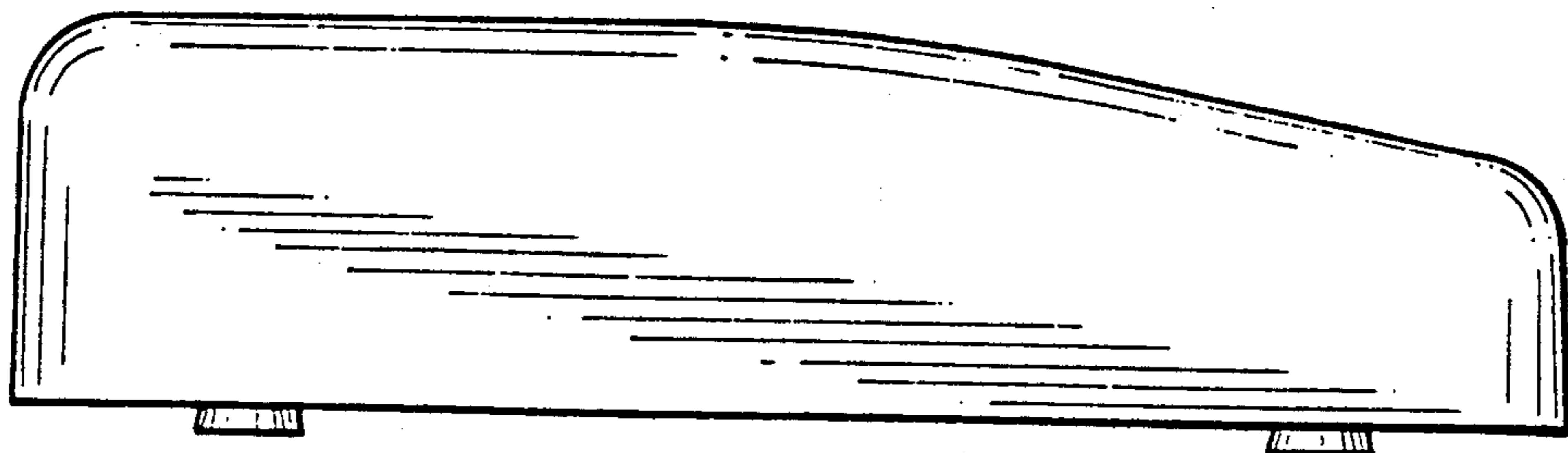


FIG-3

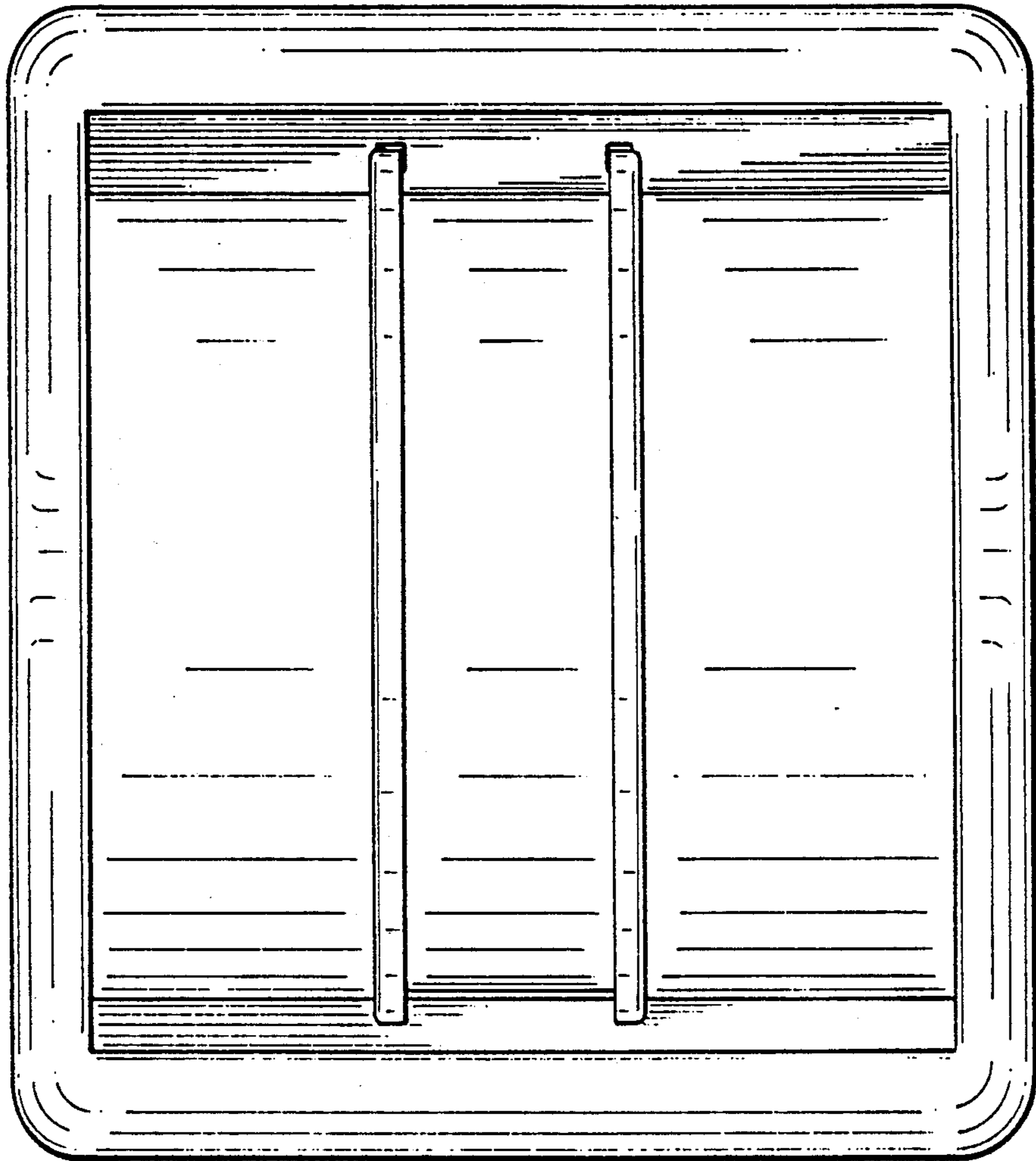


FIG-4

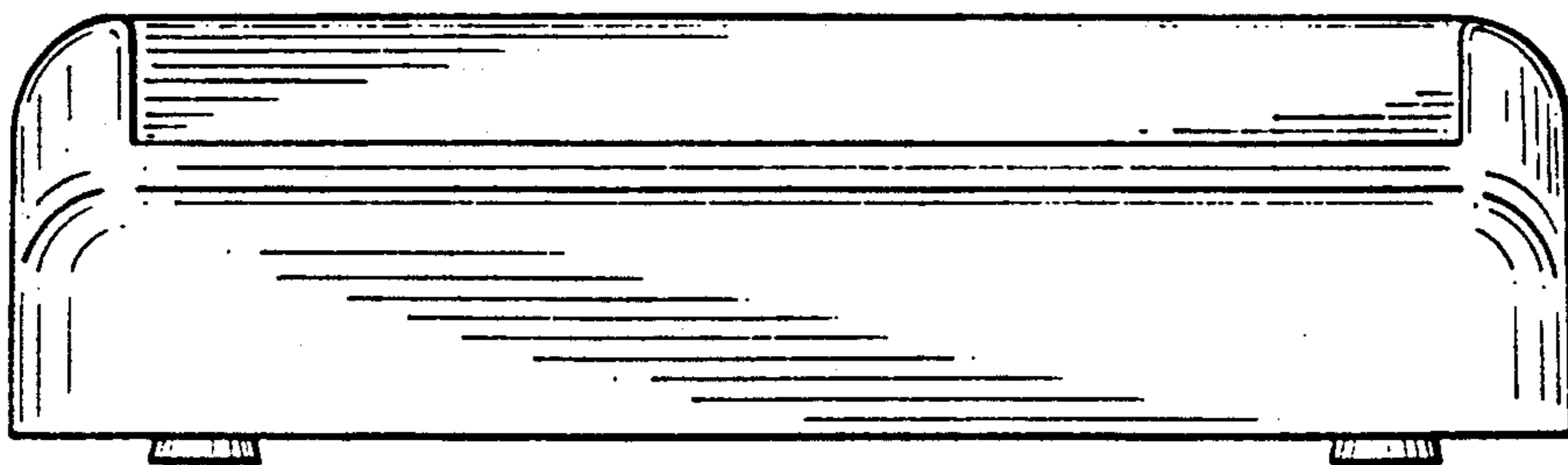


FIG-5

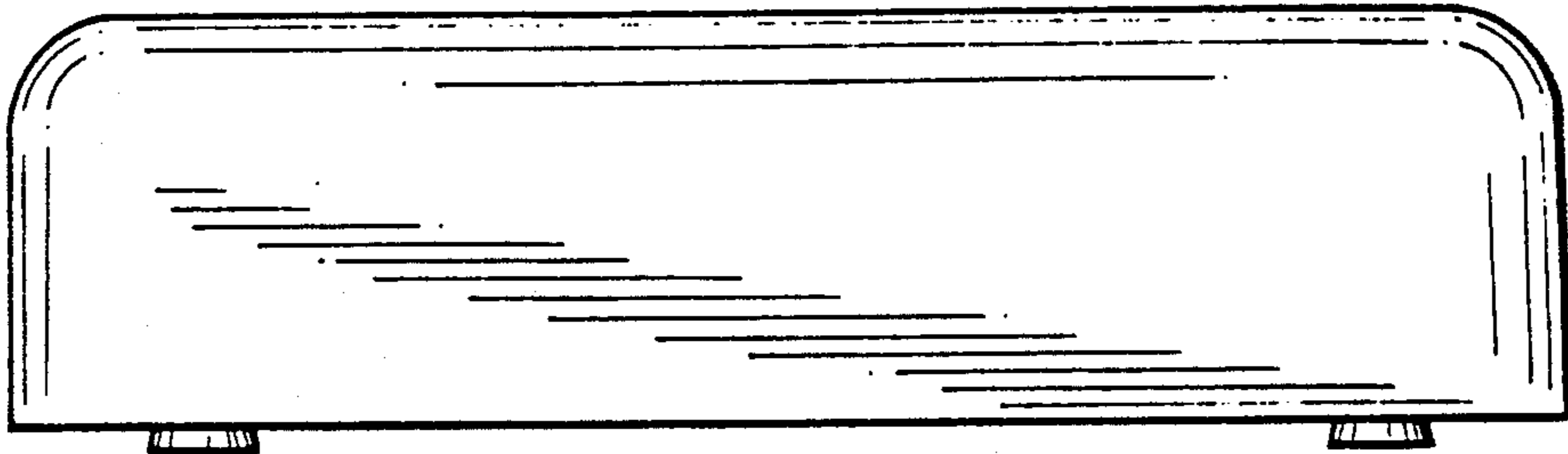


FIG-6

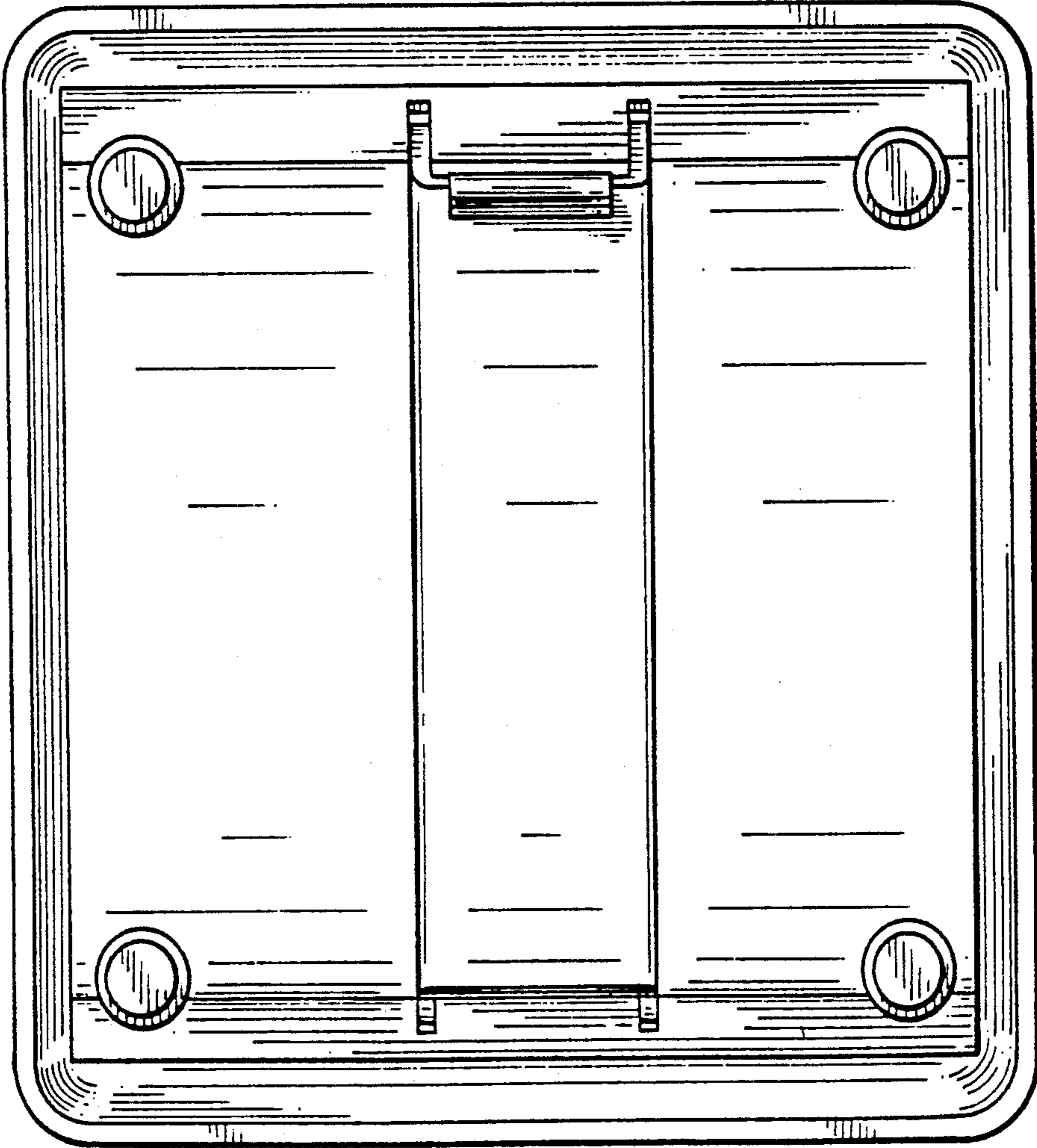


FIG-7

