



US00D323529S

United States Patent [19]

[11] Patent Number: **Des. 323,529**

Rousseau

[45] Date of Patent: **** Jan. 28, 1992**

[54] WRITING INSTRUMENT

[75] Inventor: **Xavier Rousseau, Paris, France**

[73] Assignee: **S.T. Dupont, Paris, France**

[**] Term: **14 Years**

[21] Appl. No.: **144,946**

[22] Filed: **Jan. 15, 1988**

[30] Foreign Application Priority Data

Jul. 24, 1987 [FR] France 87 4385

[52] U.S. Cl. **D19/51; D19/43; D19/56; D19/57; D19/48**

[58] Field of Search **D19/35, 36, 41-51, D19/54-58, 81-85; 401/221, 222, 243-247**

[56] References Cited

U.S. PATENT DOCUMENTS

D. 57,399	3/1921	Taussig	D19/44
D. 62,720	7/1923	Goldstein	D19/44
D. 84,146	5/1931	Kahn	D19/44
D. 242,855	12/1976	Grinberg	D19/41
D. 258,069	1/1981	Malamoud	D19/48
D. 274,338	6/1984	Malamoud	D19/51
D. 274,339	6/1984	Malamoud	D19/57
D. 274,628	7/1984	Malamoud	D19/51

OTHER PUBLICATIONS

Fahrney's Pens, Inc. 1983-1984, See pen p. 3.
Fahrney's Pens, Inc. 1983-1984, See pen I, p. 5.

Primary Examiner—Bruce W. Dunkins
Assistant Examiner—Martha Thompson
Attorney, Agent, or Firm—Ladas & Parry

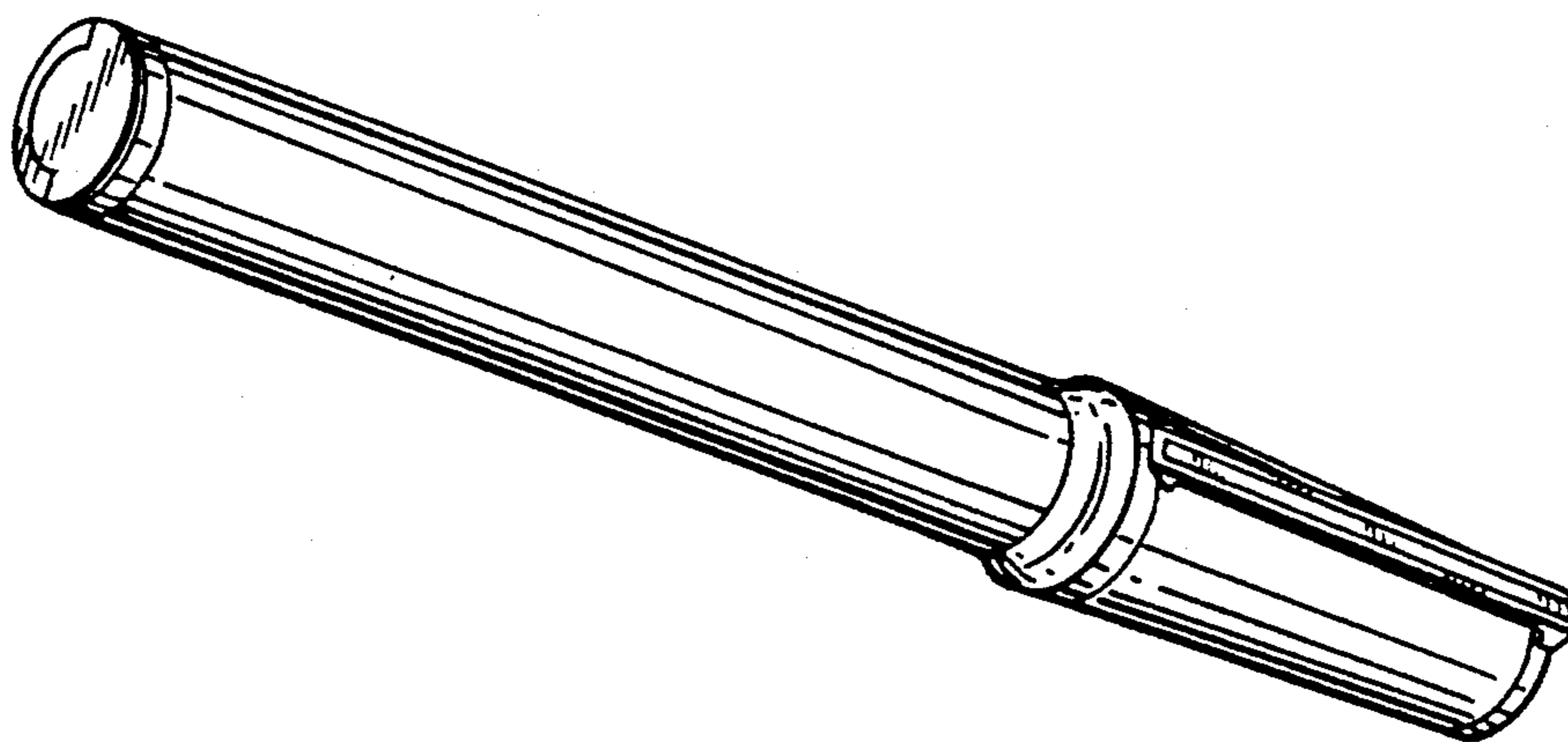
[57] CLAIM

The ornamental design for a writing instrument, as shown and described.

DESCRIPTION

FIG. 1 is a rear elevational view of a writing instrument showing my new design;
FIG. 2 is a right side elevational view;
FIG. 3 is a front elevational view;
FIG. 4 is a left side elevational view;
FIG. 5 is a top plan view;
FIG. 6 is a bottom plan view;
FIG. 7 is a bottom, right front perspective view with the adjustable C-shaped ring in a closed position;
FIG. 8 is a bottom, right front perspective view with the adjustable C-shaped ring in an opened position; and
FIG. 9 is a front elevational view thereof with the cap member in a stored position.

The design is characterized by the combination on the pen disclosed and is comprised of a tapered cap, an outwardly flared ring on the lower portion of the barrel and an adjustable C-shaped ring, all as best illustrated in FIGS. 7, 8 and 9.



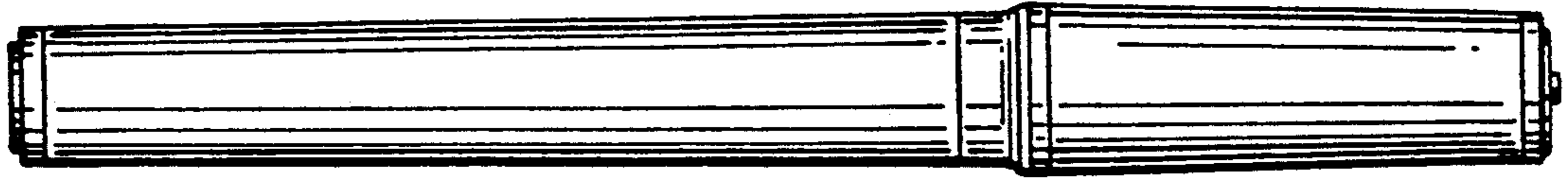


FIG. 1

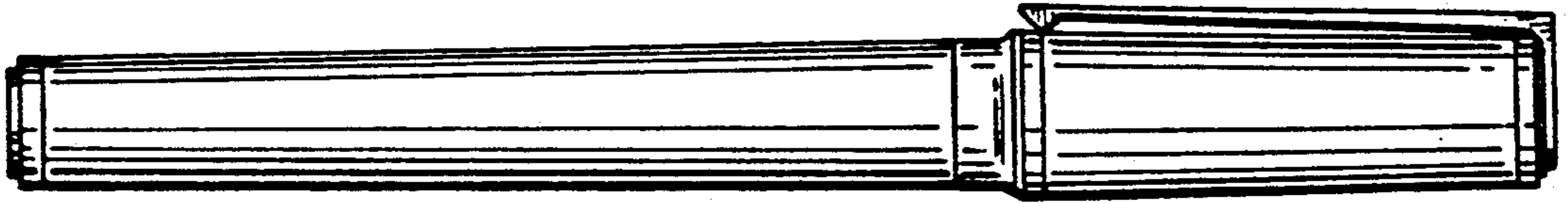


FIG. 2

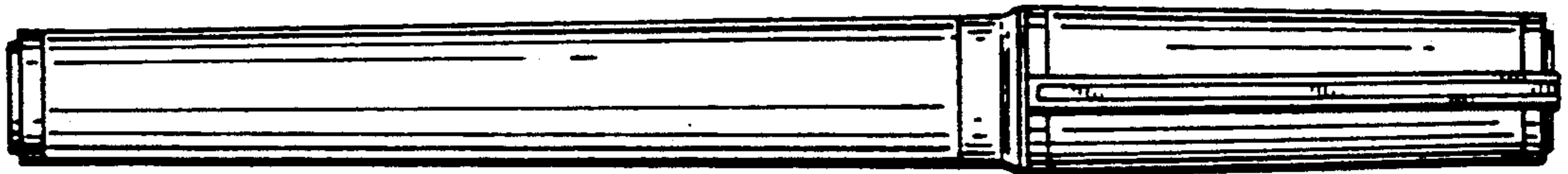


FIG. 3

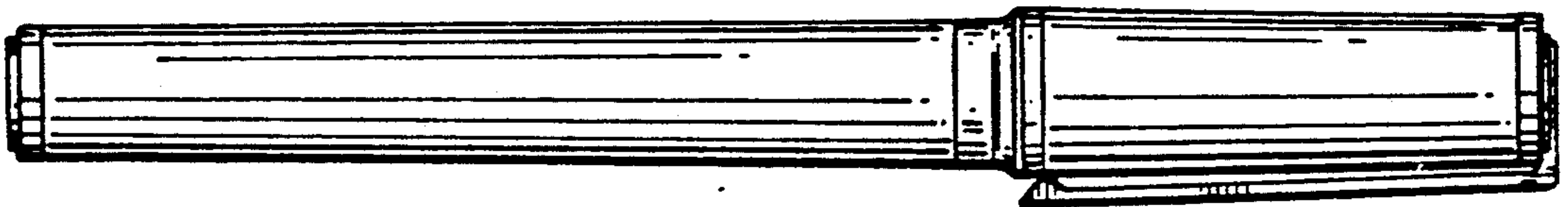


FIG. 4

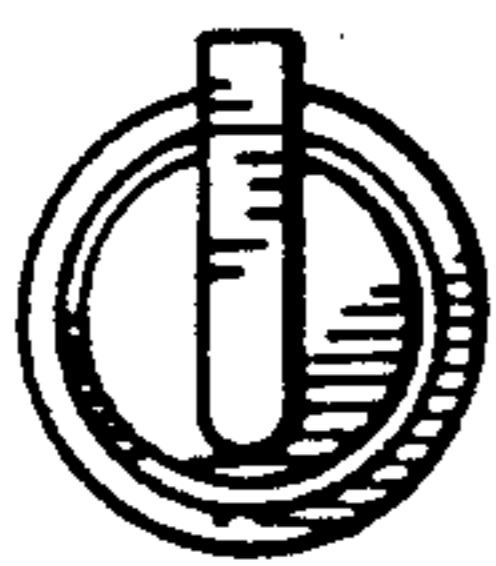


FIG. 5



FIG. 6

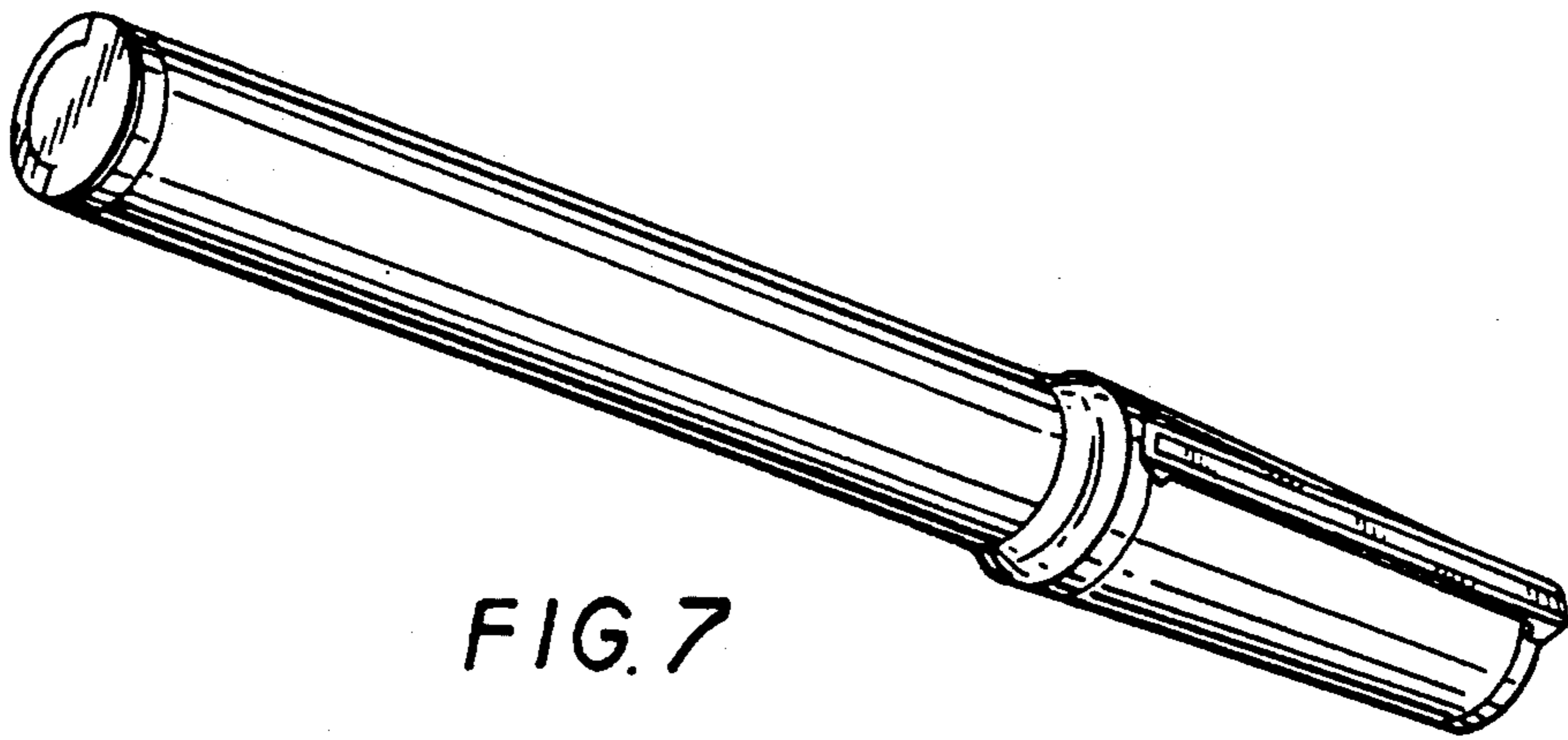


FIG. 7

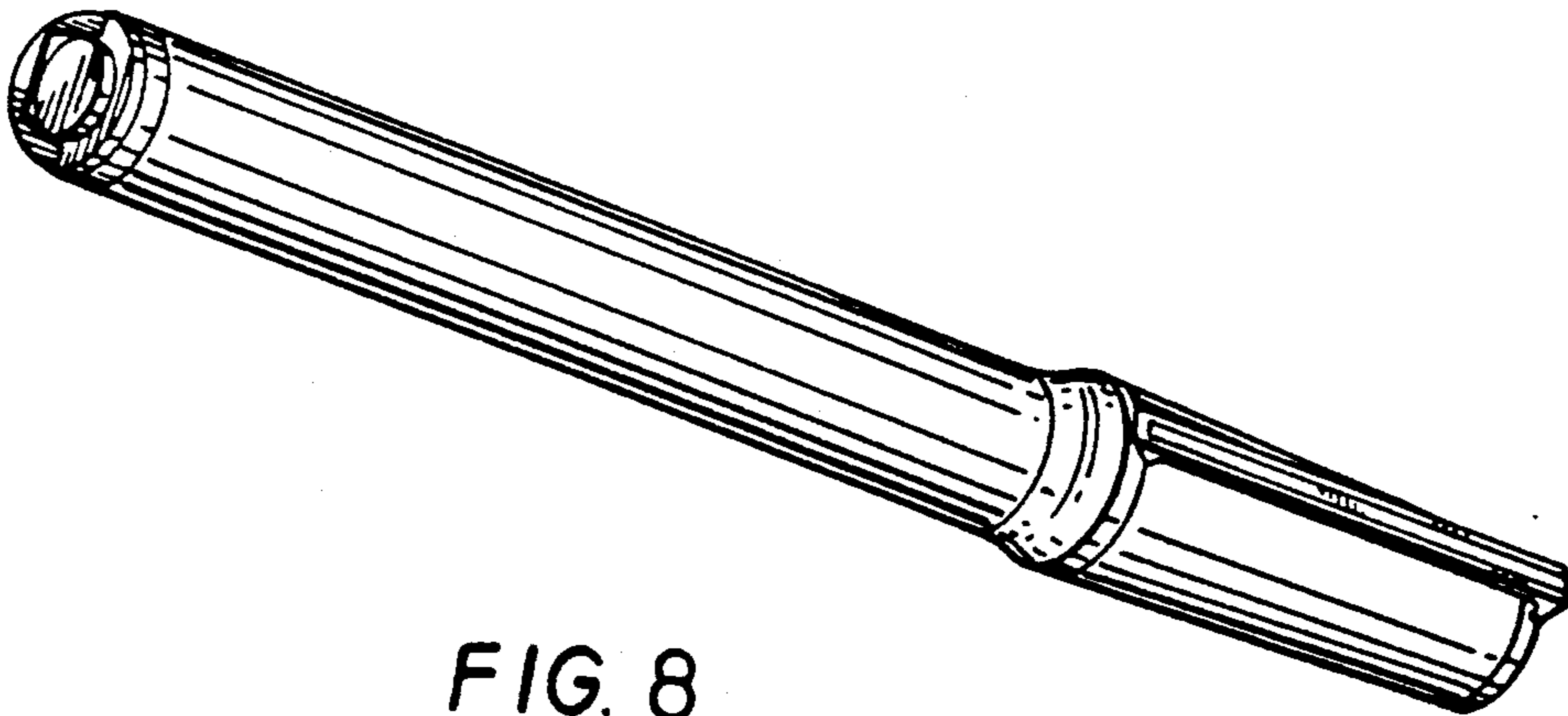


FIG. 8

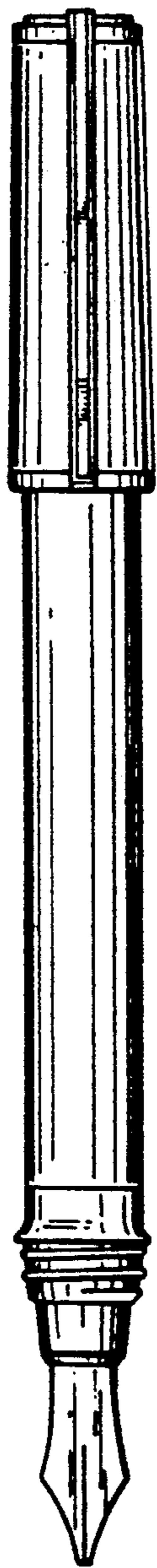


FIG. 9